

Token Ring Integrated Filter Module

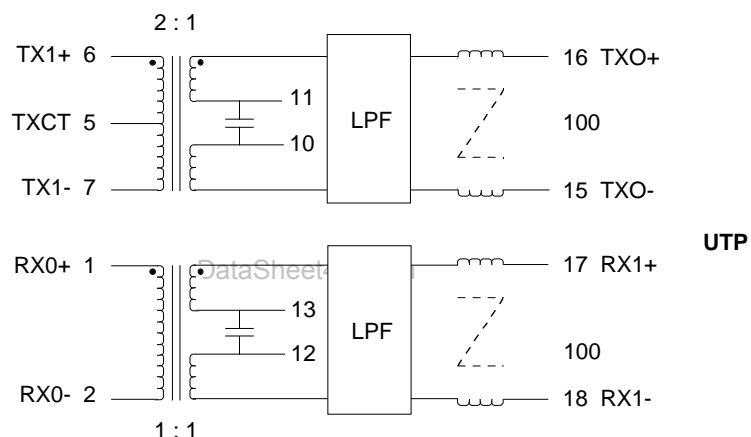
Features

- Includes both Transmit and Receive channels in one module
- Complies with IEEE 802.5 Current Proposal for UTP Cable

Electrical Specifications @ 25°C

| PCA Part Number(s) | | | | EPT7066 | | | | |
|--------------------------------|---------------------------------|-------------------------------|-------------------------------|-----------------------------|----------------------------------|-------------------------------|------------------------------|----------------------------|
| Insertion Loss Transmit | 1-16 MHz 0.6 dB Max. | 24 MHz 1 dB Max. | 32 MHz 7 dB Min. | 36 MHz 25 dB Min. | Insertion Loss Receive | 1-8 MHz 0.5 dB Max. | 1-16 MHz 1 dB Max. | 32 MHz 5 dB Min. |
| Return Loss Transmit | 1-6 MHz 18 dB Min. | 6-17 MHz 12 dB Min. | 17-24 MHz 8 dB Min. | | Return Loss Receive | 1-17 MHz 15 dB Min. | 24 MHz 10 dB Min. | |
| Isolation | 500 Vrms (for 1 minute) | | | Crosstalk | 0.3-300 MHz 35 dB Min. | | | |
| Common Mode Rejection | 30-300 MHz 40 dB Min. | | | | | | | |

Schematic



Package

