

Token Ring Front End Filter Module

EPT7068G

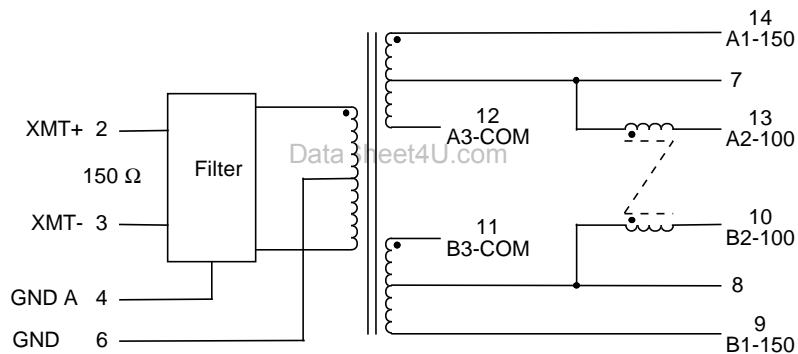


- Optimized for 150Ω Voltage Source Drivers •
- Enhanced Common Mode Rejection Capability •
- Low Profile, Single Channel Module •
- Complies with or exceeds IEEE 802.5 Requirements •

Electrical Parameters @ 25° C

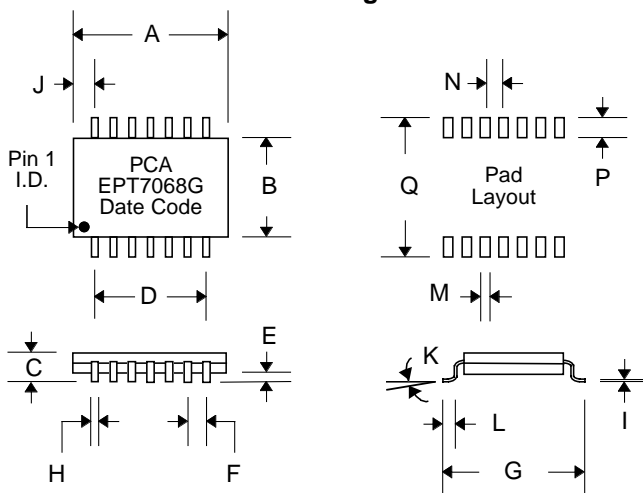
Impedance (Ω) [Xmit/Rcv]	Insertion Loss (dB)				Return Loss (dB Min.)			Common Mode Rejection (dB Min.)			
	1-16 MHz (Max.)	32 MHz (Min.)	36 MHz (Min.)	44 MHz (Min.)	1-6 MHz	6-17 MHz	17-25 MHz	1-30 MHz	30-100 MHz	100-200 MHz	200-300 MHz
Media Side 150											
Cable Side 150/100	-0.8	-7	-18	-30	-18	-12	-8	-40	-20	-15	-10

Schematic



Pins 1 & 5 are not connected.

Package



Dimensions

Dim.	(Inches)			(millimeters)		
	Min.	Max.	Nom.	Min.	Max.	Nom.
A	.780	.800	.790	19.81	20.32	20.07
B	.510	.530	.520	12.95	13.46	13.21
C	.090	.100	.095	2.29	2.54	2.41
D	.595	.605	.600	15.11	15.37	15.24
E	.003	.010	.005	.076	.254	.127
F	.097	.103	.100	2.46	2.62	2.54
G	.660	.680	.670	16.76	17.27	17.02
H	.017	.022	.020	.432	.559	.508
I	.008	.013	.011	.203	.330	2.79
J	.090	.100	.095	2.29	2.54	2.41
K	0°	8°	4°	0°	8°	4°
L	.025	.045	.040	.635	1.14	1.02
M			.030			.762
N			.100			2.54
P			.085			2.16
Q			.700			17.78

