

Token Ring Transceiver Module

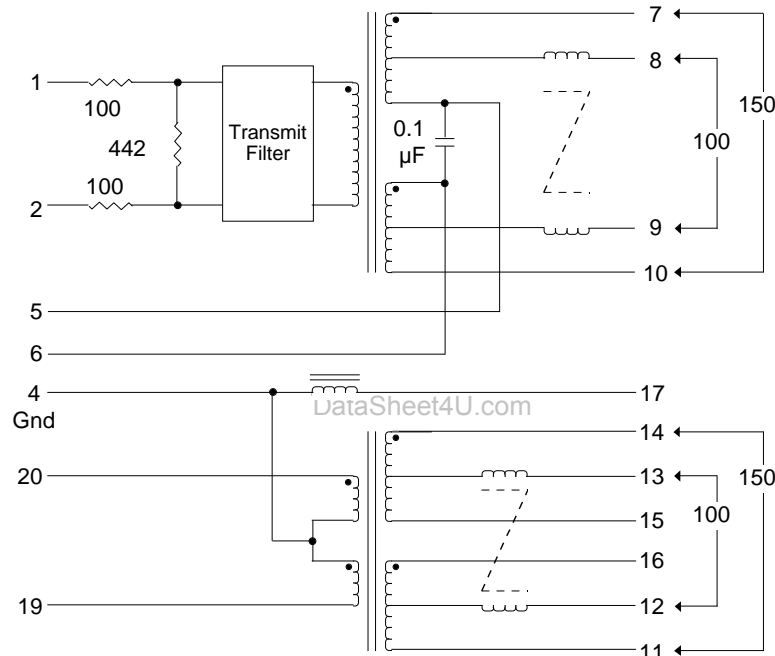
Features

- Designed to interface with Texas Instrument's TI380C60
- Supports both STP and UTP Transmission
- IEEE 802.5 Compatible

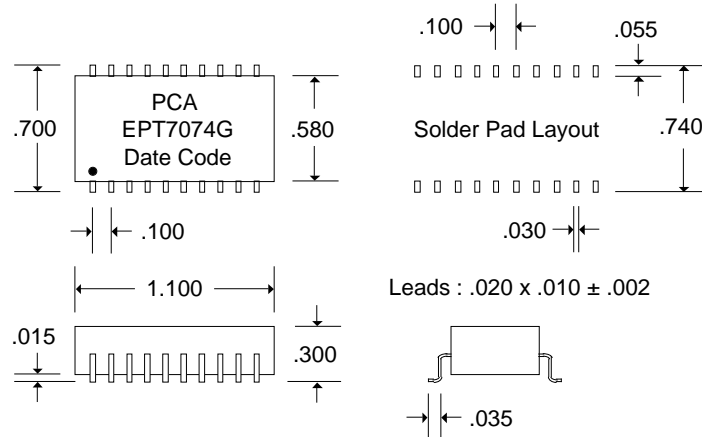
ICT Parameters @ 10 KHz

Parameter	Pins	PCA Part Number			EPT7074G	
		1 - 2	7 - 8, 9 - 10	20 - 19	14 - 15, 16 - 11	
DCR ()	Min.	195	0.5	0.5	0.5	
	Max.	210	2.0	5.0	2.0	
OCL (μH)	Min.	N/A	TBD	400	100	
	Max.	N/A	TBD	800	200	

Schematic



Package



* See the attached sheet for additional specifications.