

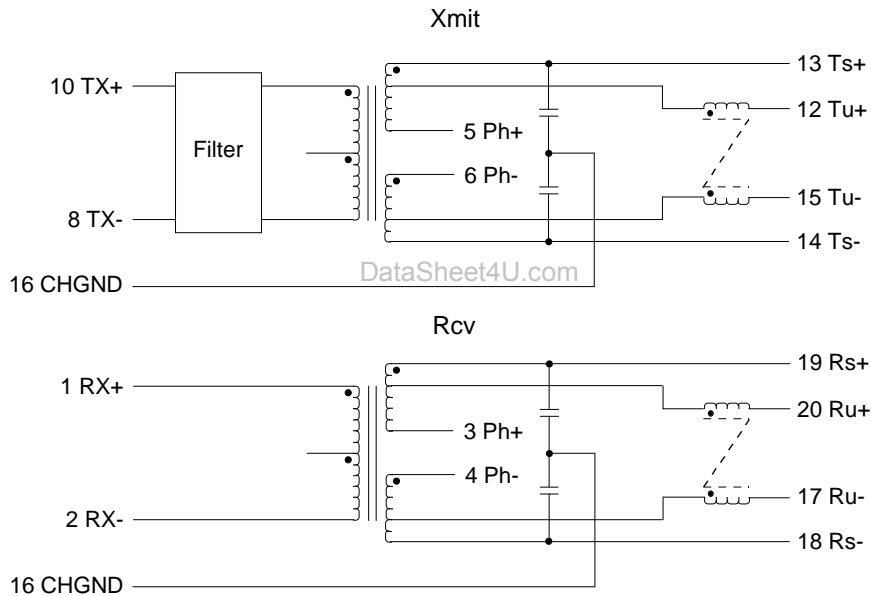
Token Ring Transceiver

PCA Part Number(s)		EPT7081			
Electrical Specifications @ 25°C					
Parameter	Frequency	Specification	XMIT	RCV	Unit
Insertion Loss	8 MHz		-0.5	-0.5	dB Max.
Attenuation	10 MHz		-1.1	-0.7	dB Min.
	24 MHz		-1.9	-1.3	dB Min.
Return Loss	1-17 MHz		-14	-20	dB Min.
	17-25 MHz		-8	-10	dB Min.
Common Mode Rejection	5 MHz		-40	-40	dB Min.
	20 MHz		-40	-40	dB Min.
	70 MHz		-30	-30	dB Min.
Crosstalk	1-32 MHz	-50 (Between Channels)			dB Min.
Impedance					

Notes :

- Optimized for T1380C60 & T1380C30.
- Supports UTP & STP Transmission cables.
- IEEE 802.5 compatible.

Schematic



Package

