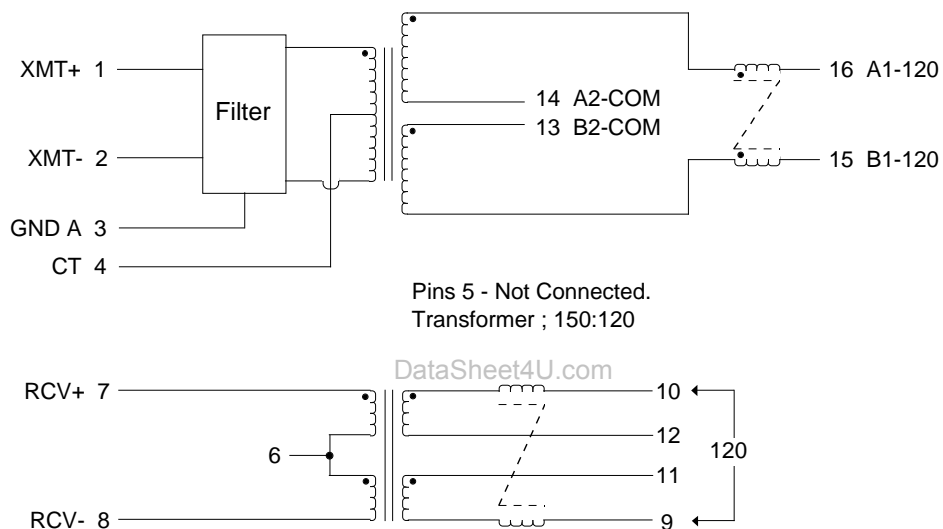


Token Ring Front End Filter - 120 OHMS

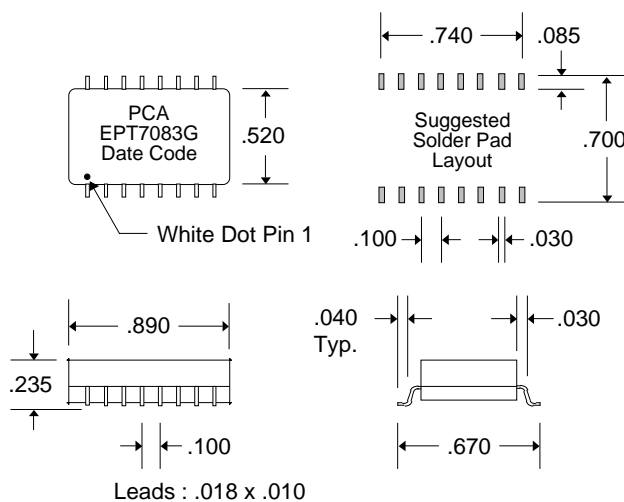
Electrical Specifications @ 25°C

PCA Part Number(s)		EPT7083G				
Insertion Loss Transmit	1-16 MHz 0.6 dB Max.	24 MHz 1 dB Max.	32 MHz 7 dB Min.	36-100 MHz 25 dB Min.	Insertion Loss Receive	1-16 MHz 0.5 dB Max.
Return Loss Transmit	1-6 MHz 18 dB Min.	6-17 MHz 12 dB Min.	17-24 MHz 8 dB Min.	Return Loss Receive	1-6 MHz 23 dB Min.	6-17 MHz 20 dB Min.
Crosstalk	10 MHz 65 dB Min.	16 MHz 40 dB Min.	25 MHz 38 dB Min.			
Common Mode Rejection	1 MHz TBD	5 MHz TBD	20 MHz TBD	70 MHz TBD	200 MHz TBD	

Schematic



Package



DST7083G Rev.1 8/30/96

QAF-CS07 8/10/94

Unless Otherwise Noted
Dimensions in Inches
Tolerances: Fractional = ± 1/32
.XX = ± .030 .XXX = ± .010



16799 SCHOENBORN ST.
NORTH HILLS, CA 91343

TEL: (818) 892-0761
FAX: (818) 894-5791
WEB: http://www.pcainc.com

www.DataSheet4U.com