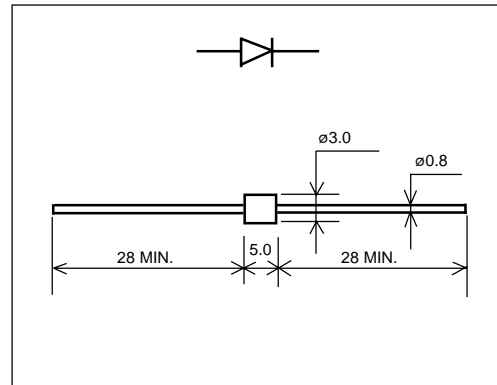


# ERC12 (1.2A)

(600V to 800V / 1.2A)

## GENERAL USE RECTIFIER DIODE

### ■ Outline drawings, mm



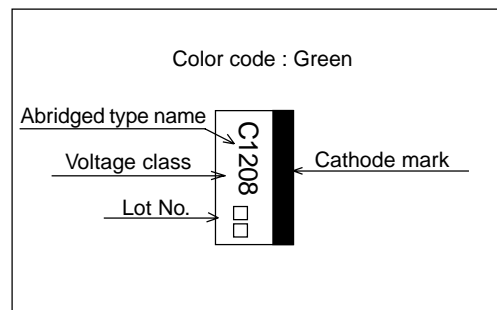
### ■ Features

- High surge current
- Compact size, light weight
- High reliability

### ■ Applications

- General purpose rectifier applications

### ■ Marking



### ■ Maximum ratings and characteristics

- Absolute maximum ratings

Item	Symbol	Conditions	Rating		Unit
			-06	-08	
Repetitive peak reverse voltage	$V_{RRM}$		600	800	V
Average forward current	$I_{F(AV)}$	Resistive load $T_a=60^\circ\text{C}$	1.2		A
Surge current	$I_{FSM}$	Sine wave 10ms	100		A
Operating junction temperature	$T_j$		-40 to +140		$^\circ\text{C}$
Storage temperature	$T_{stg}$		-40 to +140		$^\circ\text{C}$

- Electrical characteristics ( $T_a=25^\circ\text{C}$  Unless otherwise specified)

Item	Symbol	Conditions	Max.	Unit
Forward voltage drop	$V_{FM}$	$T_j=25^\circ\text{C}$ $I_{FM}=4.0\text{A}$	1.0	V
Reverse current	$I_{RRM}$	$T_j=25^\circ\text{C}$ $V_R=V_{RRM}$	10	$\mu\text{A}$