

ABB Control10, Rue Ampère
69680 Chassieu**TRANSTRONIC**Code : **ES100**

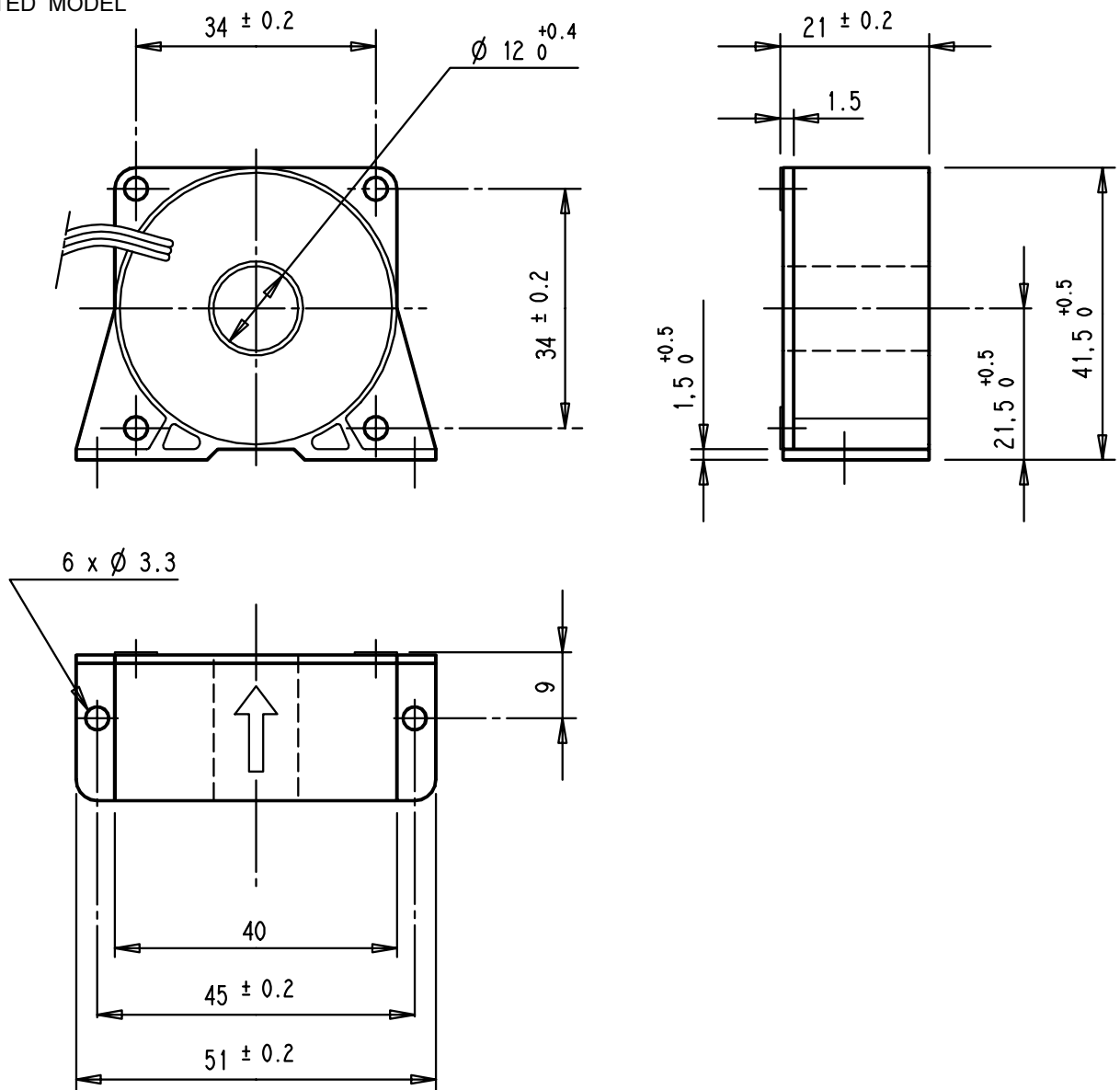
Issued 20.10.92

Modif N° 4

of : 04.10.93

Electronic measuring transformer for d.c., a.c., and pulsating currents with a high isolation level between primary and secondary circuits.

PATENTED MODEL

DESCRIPTION AND GENERAL CHARACTERISTICS

Protod electronic circuit

Self extinguishing plastic case

Weight (g) : 50

Operating temperature (° C) : - 5 + 70

Storage temperature (° C) : - 25 + 85

Direction of the current - A primary current in the direction of arrow gives a positive output current on the terminal M.

Protections : - Against short and open circuit of the output

Instructions for use and mounting according to our technical catalogue

ELECTRICAL CHARACTERISTICS

- Nominal current I_{PN}	(A eff.)	:	100
- Supply voltage	(V)	:	+/- 12 to +/- 20 (+/- 5%)
- Measuring range	(Adc)	:	0 to +/- 150
R_M max.	(Ω)	:	30 with $V_A = +/- 12$ V
R_M max	(Ω)	:	85 with $V_A = +/- 20$ V
- Overload	(\hat{A})	:	300 - 1 ms
- Turn ratio	N_p/N_s	:	1/1000
- Secondary current I_{SN} at I_{PN}	(mA)	:	100
- accuracy at I_{PN} (from - 5 to + 70° C)	(%)	:	+/- 1
- Includind : Residual current I_{SO}	(mA)	:	+/- 0,4
Linearity better than		:	10^{-3}
With thermal drift I_{SN}	(/° C)	:	$< 10^{-4}$
- Delay time	(ms)	:	<1
- di/dt	(A/ms)	:	>50
- Bandwidth at 1 db	(kHz)	:	0 at > 100
- Current drain unload current I_{AO} (inload $I_{AO} + I_S$)	(mA)	:	6 at $U_A +/- 12$ V
	(mA)	:	11 at $U_A +/- 20$ V
- Internal secondary resistance at + 70° C(Ω):		30
- Dielectric strength P/S	(kV eff.50 Hz/1mn)	:	3
- Measuring resistor minimum value at +/- 12 V	(Ω)	:	0
at maximum of the at +/- 15 V	(Ω)	:	10
operating temperature at +/- 20 V	(Ω)	:	40
(1) Use under one way current 24 V - R_M minimum	(Ω)	:	70

(2) Maximum temperature of the primary lead in contact with the sensor : 100° C

The characteristics detailed in this leaflet are subjected to change without prior notice

*

Notes :



10, Rue Ampère
69685 CHASSIEU Cedex France

Téléphone : 72.22.17.22 Télécopie : 72.22.1732 Télex : 305428F