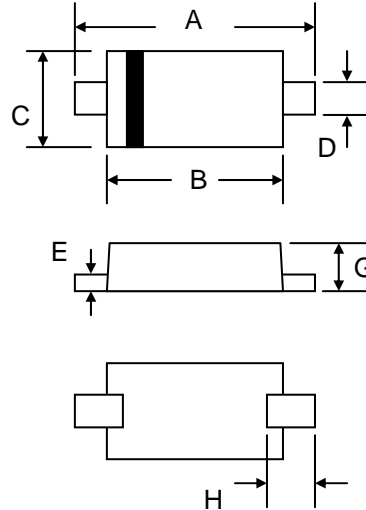


### Features

- **Low Profile 1.08mm Max. Case Height**
- Glass Passivated Die Construction
- Low Forward Voltage Drop, High Efficiency
- Surge Overload Rating to 30A Peak
- Super-Fast Recovery Time
- Ideally Suited for Automatic Assembly
- Plastic Material – UL Recognition Flammability Classification 94V-0



SOD-123FL		
Dim	Min	Max
A	3.30	3.70
B	2.60	2.95
C	1.65	1.95
D	0.75	1.35
E	0.10	0.20
G	0.98	1.08
H	0.50	0.80
All Dimensions in mm		

### Mechanical Data

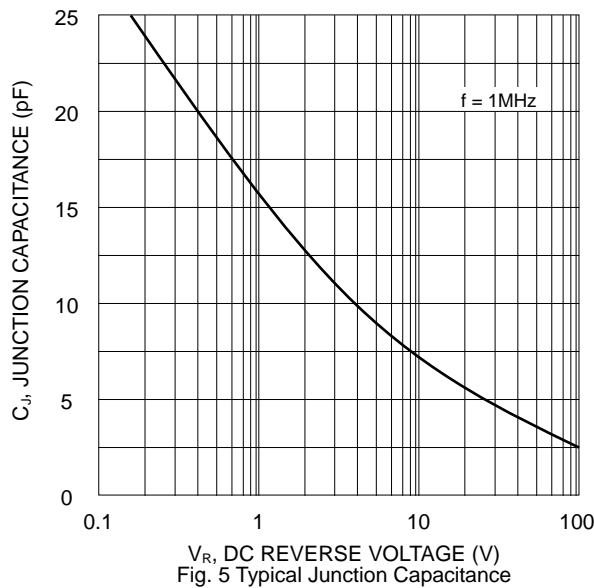
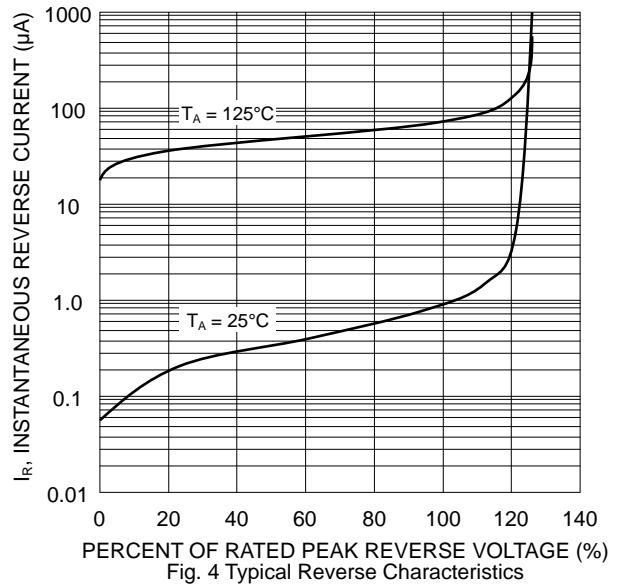
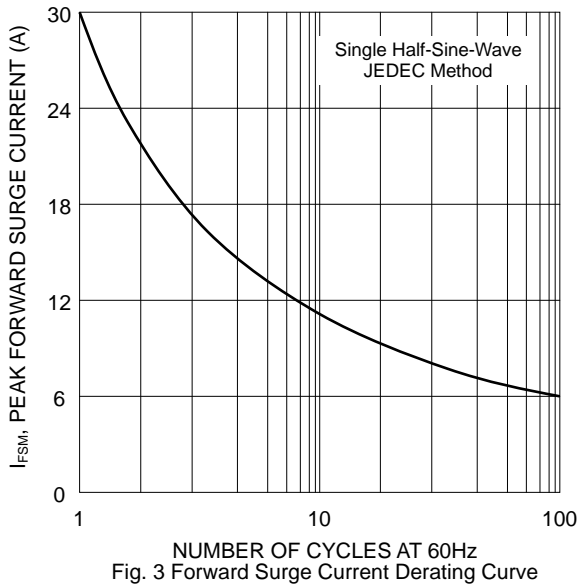
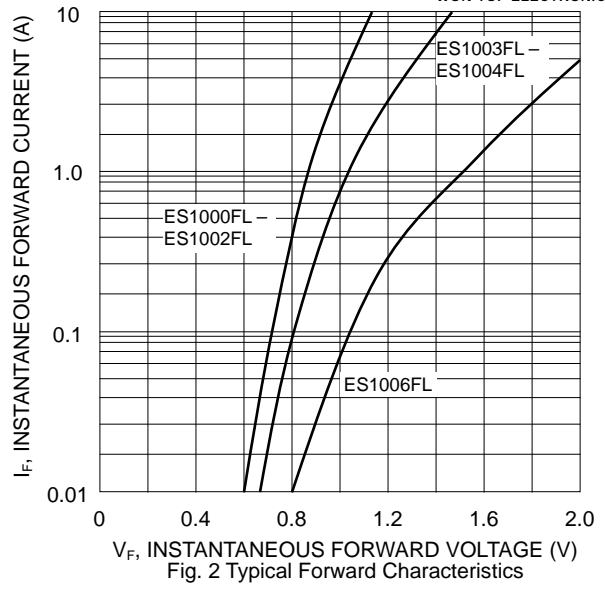
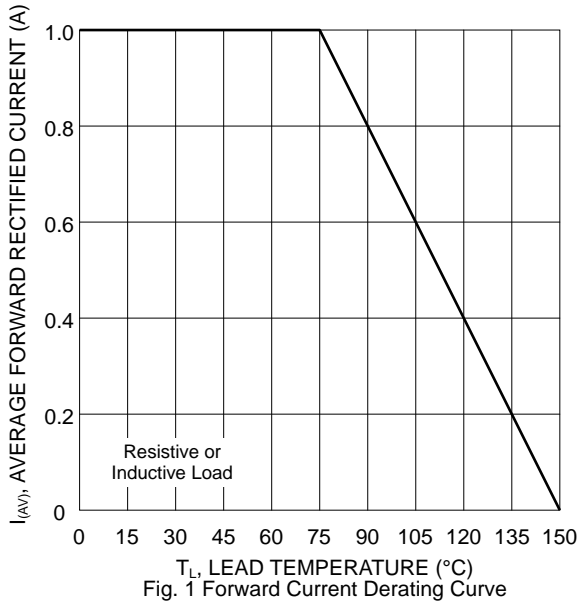
- Case: SOD-123FL, Molded Plastic
- Terminals: Plated Leads Solderable per MIL-STD-202, Method 208
- Polarity: Cathode Band
- Weight: 0.017 grams (approx.)
- Marking: Device Code, See Page 3
- **Lead Free: For RoHS / Lead Free Version, Add "-LF" Suffix to Part Number, See Page 4**

### Maximum Ratings and Electrical Characteristics @ $T_A=25^\circ\text{C}$ unless otherwise specified

Single Phase, half wave, 60Hz, resistive or inductive load. For capacitive load, derate current by 20%.

Characteristic	Symbol	ES 1000FL	ES 1001FL	ES 1002FL	ES 1003FL	ES 1004FL	ES 1006FL	Unit
Peak Repetitive Reverse Voltage	$V_{RRM}$							V
Working Peak Reverse Voltage	$V_{RWM}$	50	100	200	300	400	600	
DC Blocking Voltage	$V_R$							
RMS Reverse Voltage	$V_{R(RMS)}$	35	70	140	210	280	420	V
Average Rectified Output Current @ $T_L = 75^\circ\text{C}$	$I_O$	1.0						A
Non-Repetitive Peak Forward Surge Current 8.3ms Single Half Sine-Wave Superimposed on Rated Load (JEDEC Method)	$I_{FSM}$	30						A
Forward Voltage @ $I_F = 1.0\text{A}$	$V_{FM}$	0.95			1.25		1.7	V
Peak Reverse Current @ $T_A = 25^\circ\text{C}$ At Rated DC Blocking Voltage @ $T_A = 125^\circ\text{C}$	$I_{RM}$	5.0 200						$\mu\text{A}$
Reverse Recovery Time (Note 1)	$t_{rr}$	35						nS
Typical Junction Capacitance (Note 2)	$C_J$	10						pF
Thermal Resistance Junction to Ambient (Note 3)	$R_{JA}$	325						$^\circ\text{C/W}$
Thermal Resistance Junction to Ambient (Note 4)	$R_{JA}$	82						
Thermal Resistance Junction to Lead (Note 3)	$R_{JL}$	26						
Thermal Resistance Junction to Lead (Note 4)	$R_{JL}$	21						
Operating and Storage Temperature Range	$T_J, T_{STG}$	-55 to +150						$^\circ\text{C}$

- Note: 1. Measured with  $I_F = 0.5\text{A}$ ,  $I_R = 1.0\text{A}$ ,  $I_{RR} = 0.25\text{A}$ .  
 2. Measured at 1.0 MHz and applied reverse voltage of 4.0 V DC.  
 3. Mounted on FR-4 P.C. Board with minimum recommended pad size.  
 4. Mounted on FR-4 P.C. Board with 700mm<sup>2</sup> copper pads.

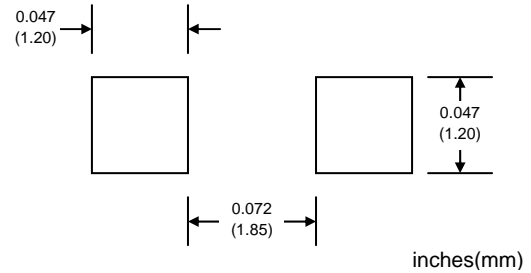


## MARKING INFORMATION



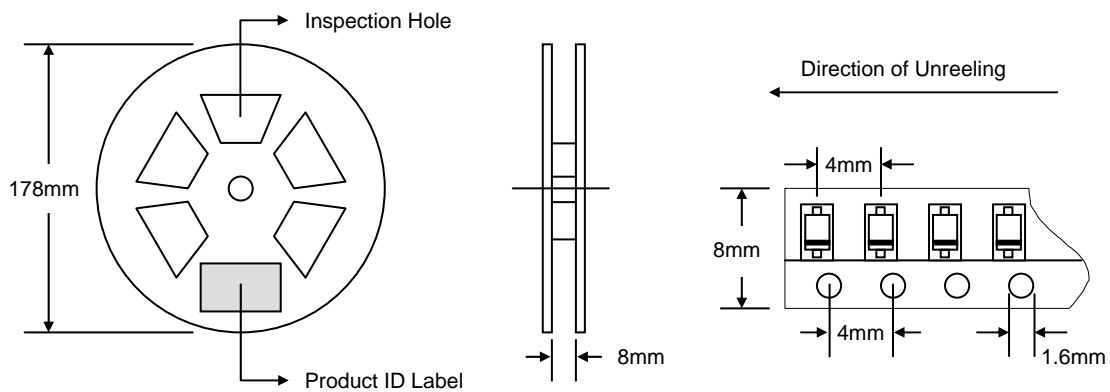
Cathode = Polarity Band  
 E1x = Device Code  
 x = A (ES1000FL)  
       B (ES1001FL)  
       D (ES1002FL)  
       E (ES1003FL)  
       G (ES1004FL)  
       J (ES1006FL)

## RECOMMENDED FOOTPRINT



## PACKAGING INFORMATION

### TAPE & REEL



Reel Diameter (mm)	Quantity (PCS)	Inner Box Size L x W x H (mm)	Quantity (PCS)	Carton Size L x W x H (mm)	Quantity (PCS)	Approx. Gross Weight (KG)
178	3,000	195 x 135 x 195	30,000	370 x 370 x 420	240,000	10.0

**Note:** 1. Anti-static plastic reel, white, water clear or blue color. Inspection hole might be varied in different alignment.  
 2. Components are packed in accordance with EIA standard 481-1 and 481-2.

## ORDERING INFORMATION

Product No.	Package Type	Shipping Quantity
ES1000FL-T1	SDO-123FL	3000/Tape & Reel
ES1001FL-T1	SDO-123FL	3000/Tape & Reel
ES1002FL-T1	SDO-123FL	3000/Tape & Reel
ES1003FL-T1	SDO-123FL	3000/Tape & Reel
ES1004FL-T1	SDO-123FL	3000/Tape & Reel
ES1006FL-T1	SDO-123FL	3000/Tape & Reel

1. Shipping quantity given is for minimum packing quantity only. For minimum order quantity, please consult the Sales Department.
2. **To order RoHS / Lead Free version (with Lead Free finish), add "-LF" suffix to part number above. For example, ES1000FL-T1-LF.**

WON-TOP ELECTRONICS and  are registered trademarks of Won-Top Electronics Co., Ltd (WTE). WTE has checked all information carefully and believes it to be correct and accurate. However, WTE cannot assume any responsibility for inaccuracies. Furthermore, this information does not give the purchaser of semiconductor devices any license under patent rights to manufacturer. WTE reserves the right to change any or all information herein without further notice.

**WARNING: DO NOT USE IN LIFE SUPPORT EQUIPMENT.** WTE power semiconductor products are not authorized for use as critical components in life support devices or systems without the express written approval.

**Won-Top Electronics Co., Ltd.**  
No. 44 Yu Kang North 3rd Road,  
Chine Chen Dist., Kaohsiung 806, Taiwan  
**Phone:** 886-7-822-5408 or 886-7-822-5410  
**Fax:** 886-7-822-5417  
**Email:** sales@wontop.com  
**Internet:** <http://www.wontop.com>

*We power your everyday.*