

2.0A Surface Mount Super-Fast Recovery Rectifier

Features

- Glass passivated junction
- For surface mounted application
- Low profile package
- Built-in strain relief, idea for automatic placement
- Super-fast recovery time for high efficiency
- High temperature soldering:
250 °C/10 seconds at terminals
- Plastic package has underwriters laboratory
Flammability classification 94V-0
- RoHS compliant



DO-214AC (SMA)

Mechanical Data

Case:	JEDEC DO-214AC molded plastic
Terminals:	Solder plated, solderable per MIL-STD-750, Method 2026
Polarity:	Color band denotes cathode end
Weight:	0.002 ounce, 0.064 gram

Maximum Ratings ($T_{Ambient}=25^{\circ}C$ unless noted)

Symbol	Description	ES 2AA	ES 2BA	ES 2CA	ES 2DA	ES 2FA	ES 2GA	ES 2JA	Unit	Conditions
VRRM	Maximum Repetitive Peak Reverse Voltage	50	100	150	200	300	400	600	V	
VRMS	Maximum RMS Voltage	35	70	105	140	210	280	420	V	
VDC	Maximum DC Blocking Voltage	50	100	150	200	300	400	600	V	
IF(AV)	Maximum Average Forward Rectified Current	2.0							A	TL=100°C
IFSM	Peak Forward Surge Current	50							A	8.3ms single half sine-wave superimposed on rated load (JEDEC Method)
TJ,TSTG	Operating Junction and Storage Temperature Range	-55 to 150							°C	

2.0A Surface Mount Super-Fast Recovery Rectifier

ES2xA Series

Note: Single phase half wave, 60 Hz, resistive or inductive load.
For capacitive load, derate current by 20%.

Electrical Characteristics ($T_{Ambient}=25^{\circ}C$ unless noted)

Symbol	Description	ES 2AA	ES 2BA	ES 2CA	ES 2DA	ES 2FA	ES 2GA	ES 2JA	Unit	Conditions
V_F	Maximum Instantaneous Forward Voltage	0.95			1.25		1.7		V	$I_F=2.0$ A
I_R	Maximum DC Reverse Current at Rated DC Blocking Voltage	5						μ A	$T_A=25^{\circ}C$	
		200							$T_A=125^{\circ}C$	
t_{rr}	Typical Reverse Recovery Time	35						nS	$I_F=0.5A$, $I_R=1.0A$, $I_{RR}=0.25A$	
C_J	Typical Junction Capacitance	28			18			pF	Measured at 1.0 MHz and applied $V_R=4.0$ v.	
$R_{\theta-JA}$	Typical Thermal Resistance	75						$^{\circ}C/W$	Mounted on P.C.B. 0.3" x 0.3" (8mmx8mm) copper pad areas	
$R_{\theta-JL}$		17								

Note: Single phase half wave, 60 Hz, resistive or inductive load.
For capacitive load, derate current by 20%.

Typical Characteristics Curves

Fig.1- Typical Forward Current Derating Curve

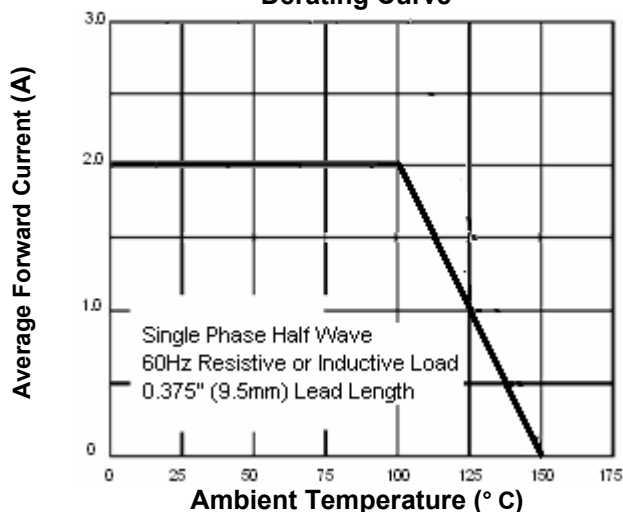
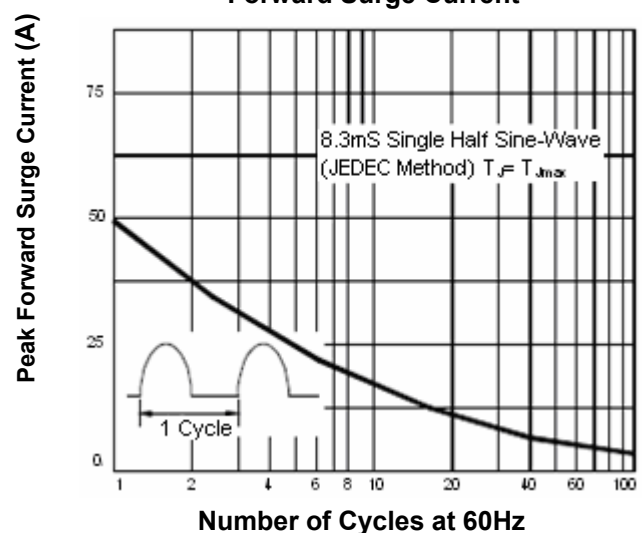


Fig.2- Max. Non-Repetitive Peak Forward Surge Current



2.0A Surface Mount Super-Fast Recovery Rectifier

ES2xA Series

Fig.3- Typical Instantaneous Forward Characteristics

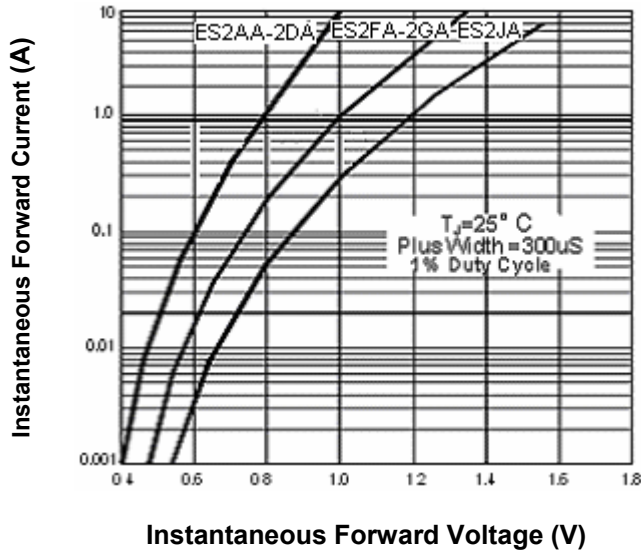


Fig.4- Typical Reverse Characteristics

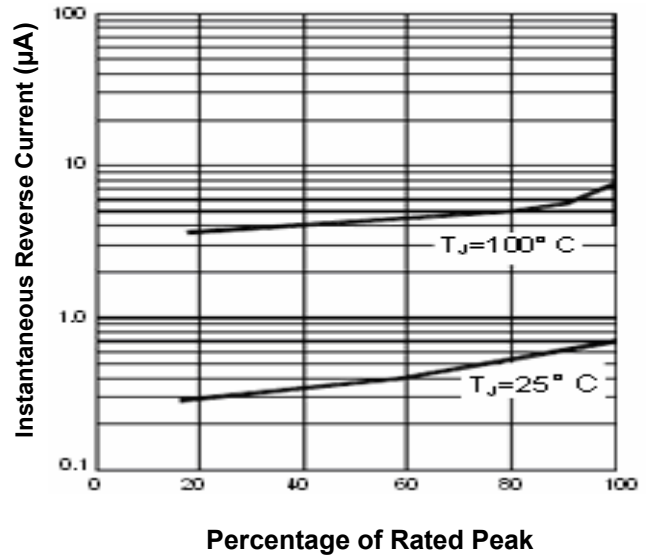
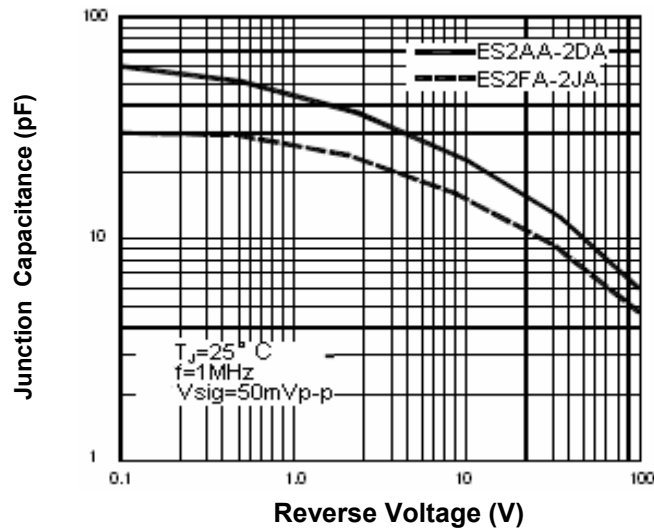


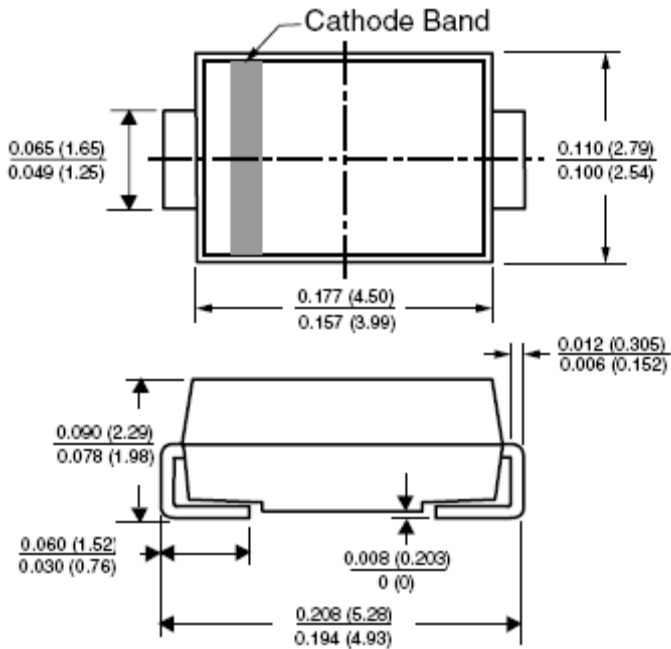
Fig.5- Typical Junction Capacitance



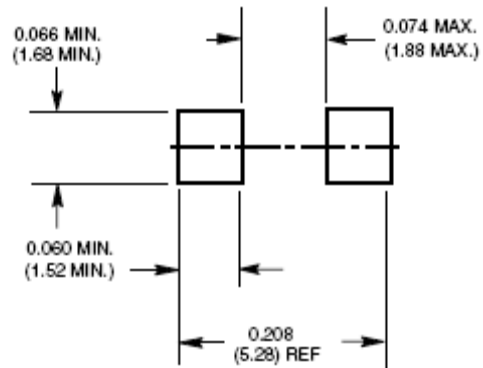
2.0A Surface Mount Super-Fast Recovery Rectifier

ES2xA Series

Dimensions in inch (mm)



Mounting Pad Layout



DO-214AC (SMA)

2.0A Surface Mount Super-Fast Recovery Rectifier

ES2xA Series

How to contact us:

US HEADQUARTERS

28040 WEST HARRISON PARKWAY, VALENCIA, CA 91355-4162

Tel: (800) TAITRON (800) 824-8766 (661) 257-6060

Fax: (800) TAITFAX (800) 824-8329 (661) 257-6415

Email: taitron@taitroncomponents.com

Http://www.taitroncomponents.com

TAITRON COMPONENTS MEXICO, S.A .DE C.V.

BOULEVARD CENTRAL 5000 INTERIOR 5 PARQUE INDUSTRIAL ATITALAQUIA, HIDALGO C.P.
42970 MEXICO

Tel: +52-55-5560-1519

Fax: +52-55-5560-2190

TAITRON COMPONETS INCORPORATED E REPRESENTAÇÕES DO BRASIL LTDA

RUA DOMINGOS DE MORAIS, 2777, 2.ANDAR, SALA 24 SAÚDE - SÃO PAULO-SP 04035-001 BRAZIL

Tel: +55-11-5574-7949

Fax: +55-11-5572-0052

TAITRON COMPONETS INCORPORATED, SHANGHAI REPRESENTATIVE OFFICE

METROBANK PLAZA, 1160 WEST YAN' AN ROAD, SUITE 1503, SHANGHAI, 200052, CHINA

Tel: +86-21-54249942

Fax: +86-21-5424-9931