

## ESA1002

## FORCED AIR COOLED TRIODE

**GENERAL**

The ESA1002 is a forced air cooled triode having a directly heated thoriated tungsten filament. It has a maximum anode dissipation of 12 kW and a maximum anode voltage rating of 10 kV, the maximum operating frequency at full rating being 40 Mc/s.

**RATING**

Filament Voltage	(volts)	$V_f$	8.0
Filament Current	(amps)	$I_f$	124
Maximum Anode Voltage	(kV)	$V_{a(max)}$	10.0
Maximum Anode Dissipation	(kW)	$P_{a(max)}$	12.0
Maximum Cathode Current (Peak)	(amps)	$I_{k(max)pk}$	33.0
Maximum Grid Dissipation	(watts)	$P_{g(max)}$	800
Mutual Conductance	(mA/V)	$g_m$	35
Amplification Factor		$\mu$	28
Anode Impedance	(ohms)	$r_a$	800
Maximum Operating Frequency (full rating)	(Mc/s)	$f(max)$	40
Maximum R.F. Power Output	(kW)	$P_{out}$	35

**INTER-ELECTRODE CAPACITANCES (pF)**

Anode/Grid	$c_{a-g1}$	40
Anode/Filament	$c_{a-f}$	1.3
Grid/Filament	$c_{g1-f}$	56



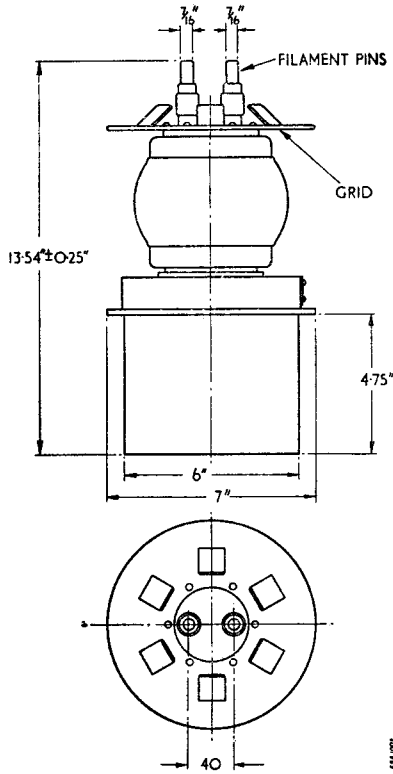
---

**ESA1002****FORCED AIR COOLED TRIODE****AIRFLOW**—400 cu. ft. min.**DIMENSIONS**

Maximum Overall Length	(ins)	13 $\frac{1}{2}$
Maximum Diameter	(ins)	7 $\frac{1}{16}$
Approximate Nett Weight	(lbs)	28
Approximate Packed Weight	(lbs)	84

ESA1002

FORCED AIR COOLED TRIODE

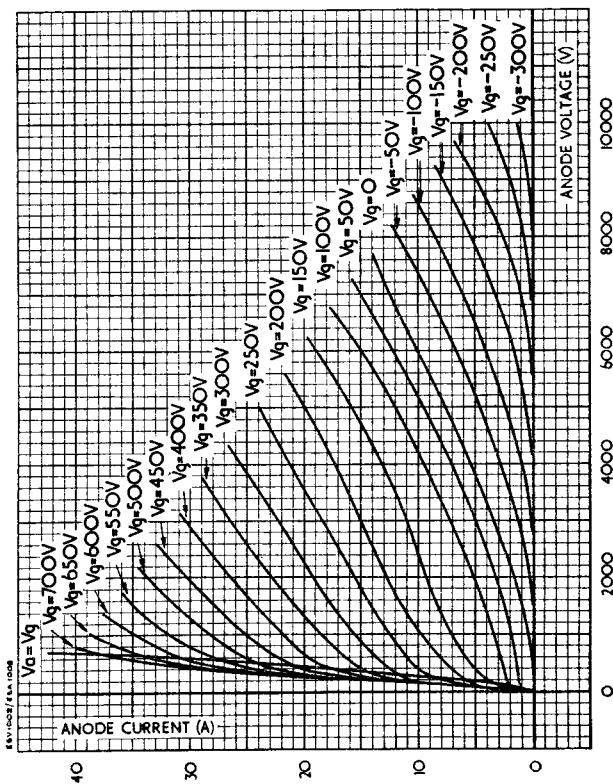


All dimensions in mm unless stated otherwise.

ESA1002

FORCED AIR COOLED TRIODE

TYPICAL CHARACTERISTIC CURVES :  $I_a/V_a$



ESA1002

FORCED AIR COOLED TRIODE

TYPICAL CHARACTERISTIC CURVES :  $I_g/V_a$

