

ESU200

HALF WAVE MERCURY VAPOUR RECTIFIER

GENERAL

The ESU200 is a directly heated oxide coated filament High Voltage Half Wave Mercury Vapour Rectifier.

When first placed into operation it is essential that the filament is run at its rated value for 15 minutes without any anode voltage being applied.

RATING

Filament Voltage (volts)	V_f	4.0
Filament Current (amps)	I_f	11.0
Maximum Peak Inverse Anode Voltage (kV)	PIV (max)	**15
Maximum Peak Anode Current (amps)	$I_a(pk)(max)$	**5.0
Maximum Average Anode Current (amps)	$I_a(av)(max)$	1.25
Voltage Drop (volts) approx.		12
Ambient Temperature Range		20°-60° C
Cathode Heating Delay Time (secs)	t	60

DIMENSIONS

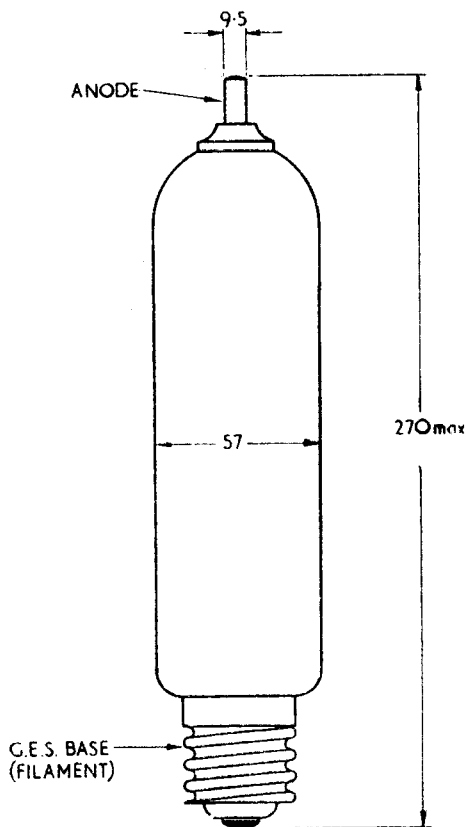
Maximum Overall Length	(mm)	270
Maximum Diameter	(mm)	57
Approximate Nett Weight	(ozs)	8
Approximate Packed weight	(lbs)	1½
Approximate Packed Export Weight	(lbs)	1¾

MOUNTING POSITION—Vertical

TOP CAP—Anode (C.T.9)

BASE G.E.S.—Filament

**Note :—Maximum ratings cannot necessarily be used simultaneously. Normally if either the maximum P.I.V. or maximum mean current are to be used, the other factor has to be reduced appreciably.

ESU200**HALF WAVE MERCURY VAPOUR RECTIFIER**

All dimensions in m.m.