

---

**ESU74**
**HIGH VACUUM HALF WAVE RECTIFIER****RATING**

Filament Voltage (volts)	$V_f$	4.0
Filament Current (amps)	$I_f$	11.5
Maximum Peak Inverse Voltage (volts)	P.I.V. (max)	40,000
Maximum Mean Anode Current (mA)	$I_a(av)max$	80
Average Maximum Filament Emission (amps)	$I_{em}$	1.1
Maximum Anode Dissipation (watts)	$P_a$	50

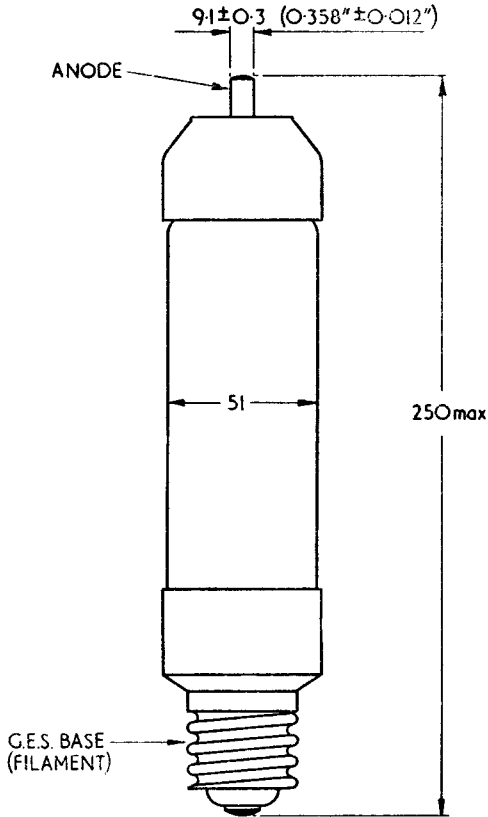
**DIMENSIONS**

Maximum Overall Length	(mm)	250
Maximum Diameter	(mm)	60
Approximate Nett Weight	(ozs)	7.0
Approximate Packed Weight	(lbs)	2.0
Approximate Packed Export Weight	(lbs)	2.0

MOUNTING POSITION—Vertical.

**ESU74**

**HIGH VACUUM HALF WAVE RECTIFIER**



ESU74

HIGH VACUUM HALF WAVE RECTIFIER

TYPICAL CHARACTERISTIC CURVES:  $I_a/V_a$

