

EDISWAN

ESU.76

ESU.76

HALF-WAVE MERCURY VAPOUR RECTIFIER

GENERAL

When the rectifier is first placed in service the filament should be operated at normal voltage for 15 minutes without anode voltage in order to obtain correct distribution of the mercury. Care must be taken in installation to ensure free circulation of air around the bulb in order that the temperature limits are not exceeded.

RATING

| | | | |
|--------------------------------------|---------------|---------|---|
| Filament Voltage (volts) | V_f | 2.0 | |
| Filament Current (amps) | I_f | 7.5 | ← |
| Maximum Peak Inverse Voltage (volts) | P.I.V.(max) | 10,000 | ← |
| Maximum Average Anode Current (amps) | $I_a(\max)$ | 0.25 | ← |
| Maximum Peak Anode Current (amps) | $I_a(pk)\max$ | 0.9 | |
| Ambient Temperature Range (°C) | | 20 - 60 | |
| Cathode Heating Delay Time (secs) | | 60 | |

DIMENSIONS

| | | | |
|--|--|-----|--|
| Maximum Overall Length (mm) | | 175 | |
| Maximum Diameter (mm) | | 54 | |
| Approximate Nett Weight (ozs) | | 4 | |
| Approximate Packed Weight (ozs) | | 6½ | |
| Approximate Packed Export Weight (lbs) | | 2 | |

MOUNTING POSITION - Vertical

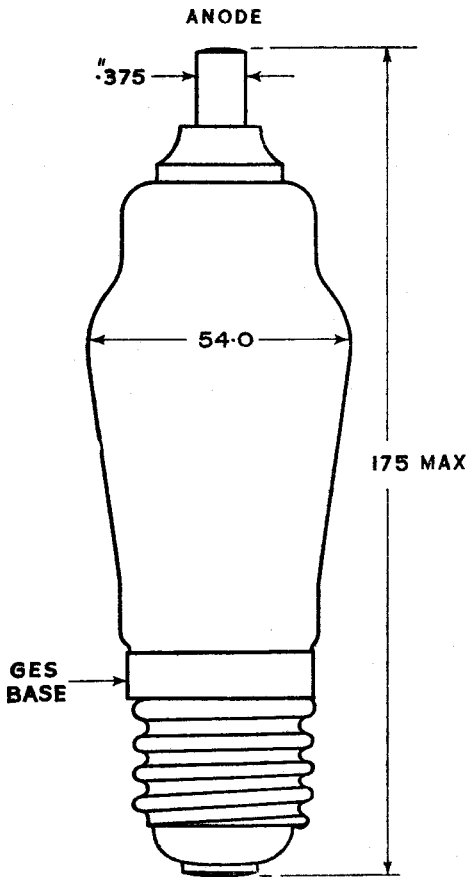
Indicates a change ←

ESU.76

EDISWAN

ESU.76

HALF-WAVE MERCURY VAPOUR RECTIFIER



All dimensions in mm. unless otherwise stated