

ESV1002

VAPOUR COOLED TRIODE

GENERAL

The ESV1002 is a Vapour Cooled Triode having a directly heated thoriated tungsten filament. It has a maximum anode dissipation of 25 kW, and a maximum anode voltage rating of 10 kV, the maximum operating frequency at full rating being 10 Mc/s.

RATING

Filament Voltage	(volts)	V_f	8.0
Filament Current	(amps)	I_f	124
Maximum Anode Voltage	(kV)	$V_a(\text{max})$	11†
Maximum Grid Bias Voltage	(volts)	V_{g1}	-1200†
Maximum Anode Dissipation	(kW)	$P_a(\text{max})$	25†
Maximum Cathode Current	(amps)	$I_k(\text{max})$	33†
Maximum Grid Dissipation	(watts)	$P_g(\text{max})$	800†
Mutual Conductance	(mA/V)	g_m	35
Amplification Factor		μ	28
Anode Impedance	(ohms)	r_a	800
Maximum Operating Frequency (Mc/s)		$f(\text{max})$ (abs)	10*
Maximum R. F. Power Output	(kW)	P_{out}	60

* Limited by the boilers and boiler's condensers.

The maximum operating frequency may not be increased by operation at reduced ratings.

† Absolute maximum values which must not be exceeded.

INTER-ELECTRODE CAPACITANCES (pF)

Anode/Grid	C_{a-g1}	40
Anode/Filament	C_{a-f}	1.3
Grid/Filament	C_{g1-f}	56

DIMENSIONS

Maximum Overall Length	(ins)	14
Maximum Diameter	(ins)	6½
Approximate Nett Weight	(lbs)	36
Approximate Packed Weight	(lbs)	92



ESV1002

VAPOUR COOLED TRIODE

TYPICAL OPERATION—Class C R.F. Amplifier and Oscillator.

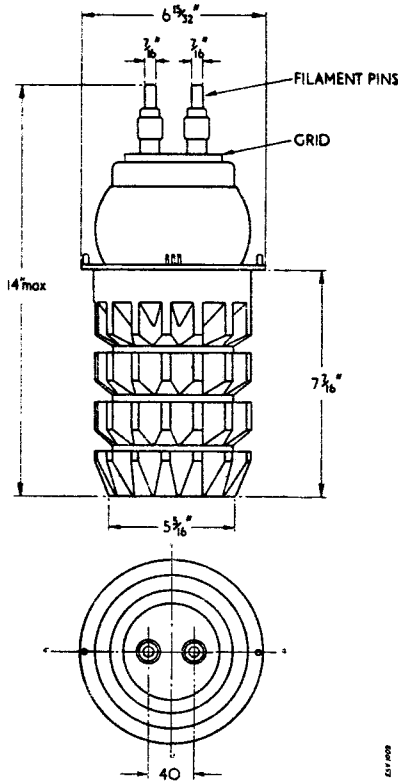
Anode Voltage (kV)	V_a	6	8	10
Grid Bias Voltage (volts)	V_{g1}	-300	-400	-450
Grid Positive Voltage (Peak) (volts)	$V_{g1(pk)}$	+520	+520	+520
Grid Bias Resistor (ohms)	R_{g1}	254	380	455
Mean Anode Current (amps)	I_a	7.62	7.2	7.68
Mean Grid Current (amps)	I_{g1}	1.18*	1.06*	0.99*
Grid Drive r.m.s. Voltage (volts)	$V_{g1(rms)}$	580	650	685
Peak Cathode Current (amps)	$I_k(pk)$	33	33	33
Anode Dissipation (kW)	P_a	11.6	12.1	16.4
Grid Drive Power (watts)	P_{dr}	870*	875*	860*
Grid Dissipation (watts)	P_{g1}	516*	453*	415*
Anode Efficiency %	η_a	76.4	78.6	78.6
Anode Output (Amplifier) (kW)	P_{out}	35	45.4	60.4
Anode Output (Oscillator) (kW)	P_{out}	29	37.8	50.5
Angle of Anode Current flow (degrees)	θ_a	163	162	166
Minimum Convection Cooler area (sq. ft.)		9.8	10.2	13.4
Minimum Water Flow (Water Cooled Types) (litres/min at 20°C inlet temp.)		4	4.1	5.4

* Approximate values. With lamps as the grid resistor and normal HT regulation, grid dissipation should not rise by more than 25% at $\frac{1}{2}$ full load anode current.

See "Application Notes on the use of Vapour Cooled Valves."

ESV1002

VAPOUR COOLED TRIODE



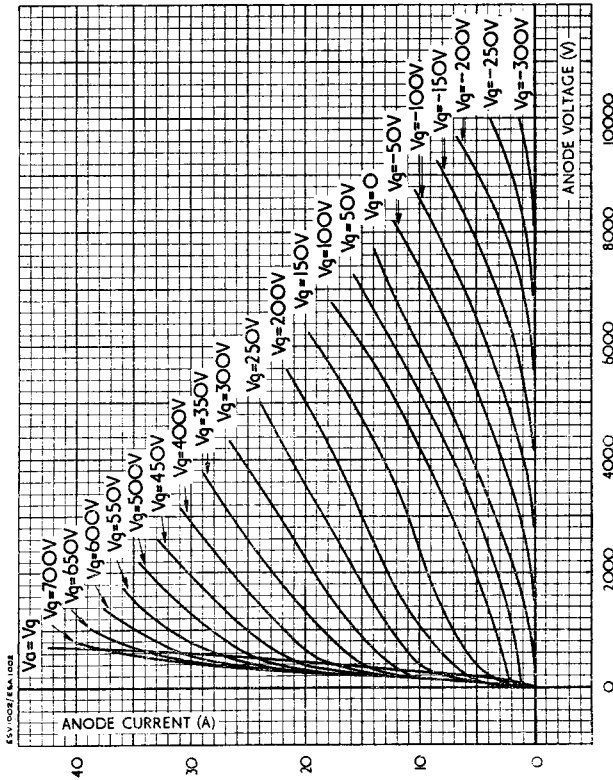
All dimensions in mm. unless stated otherwise



ESV1002

VAPOUR COOLED TRIODE

TYPICAL CHARACTERISTIC CURVES : I_a/V_a



ESV1002

VAPOUR COOLED TRIODE

TYPICAL CHARACTERISTIC CURVES : I_g/V_a

