

## ESV1500

### VAPOUR COOLED TRIODE

#### GENERAL

The ESV1500 is a Vapour Cooled Triode, having a directly heated thoriated tungsten filament. It has a maximum anode dissipation of 5 kW and a maximum anode voltage rating of 8 kV, the maximum operating frequency at full rating being 10 Mc/s.

#### RATING

Filament Voltage	(volts)	$V_f$	8.0
Filament Current	(amps)	$I_f$	26.0
Maximum Anode Voltage	(kV)	$V_{a(max)}$	8.0
Maximum Anode Dissipation	(kW)	$P_{a(max)}$	5.0
Maximum Filament Emission (Peak)	(amps)	$I_{k(max)pk.}$	8.0
Maximum Grid Dissipation	(watts)	$P_{g(max)}$	150
Mutual Conductance	(mA/V)	$g_m$	7.5
Amplification Factor		$\mu$	24
Anode Impedance	(ohms)	$r_a$	3,200
Maximum Operating Frequency (Full Rating)	(Mc/s)	$f_{(max)}$	40
Maximum Operating Frequency (Reduced Rating)	(Mc/s)	$f_{(max)abs.}$	80
Maximum R.F. Power Output	(kW)	$P_{out}$	8.0

#### INTER-ELECTRODE CAPACITANCES (pF)

Anode/Grid	$C_{a-g}$	11
Anode/Filament	$C_{a-f}$	1
Grid/Filament	$C_{g-f}$	15



---

**ESV1500**  
**VAPOUR COOLED TRIODE**

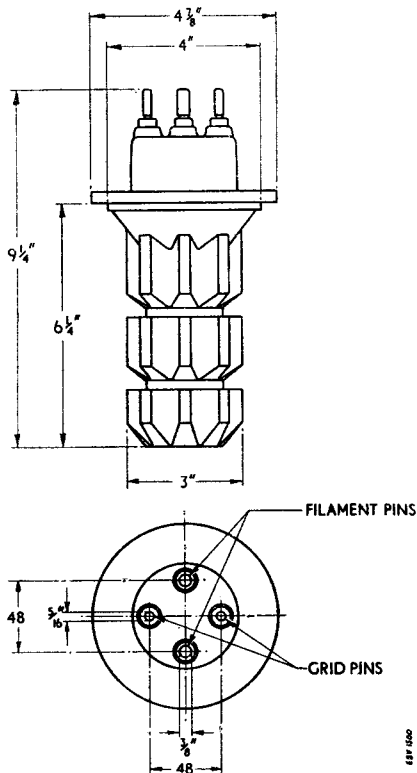
**DIMENSIONS**

Maximum Overall Length	(ins)	9 $\frac{3}{4}$
Maximum Diameter	(ins)	4 $\frac{7}{8}$
Approximate Nett Weight	(lbs)	10
Approximate Packed Weight	(lbs)	47

**OPERATION**

See " Application Notes on the use of Vapour Cooled Valves "

**ESV1500**  
VAPOUR COOLED TRIODE



All dimensions in mm unless otherwise stated