

ESW5000
WATER COOLED TRIODE
 (Previously EHW5000)

GENERAL

The ESW 5000 is a directly heated three electrode power valve designed for use as a radio - frequency amplifier, oscillator or Class 'B' modulator. It is an exact equivalent to the American GL.889.

RATING

| | | |
|---|-------------------|---------|
| Filement Voltage (volts) | V_f | 11 |
| Filement Current (amps) | I_f | 125 |
| Maximum Anode Voltage (volts) | $V_a(\text{max})$ | 8,500 |
| Maximum Filament Emission (amps) | F_{em} | 9 |
| Maximum Anode Dissipation (k.W.) | $W_a(\text{max})$ | 5 |
| Mutual Conductance (mA/V) | g_m | 10 |
| Amplification Factor | μ | 20 |
| Anode Impedance (ohms) | r_a | 2,000 |
| Maximum Operating Frequency at full rating | | 25 Mc/s |
| R.F. Power Output (kW) | P_{out} | 10 |

INTER-ELECTRODE CAPACITANCES

| | | |
|-----------------------------------|------------|------|
| Anode/Grid (μpF) | C_{a-gl} | 20.7 |
| Anode/Filament (μpF) | C_{a-f} | 2.5 |
| Grid/Filament (μpF) | C_{gl-f} | 19.5 |

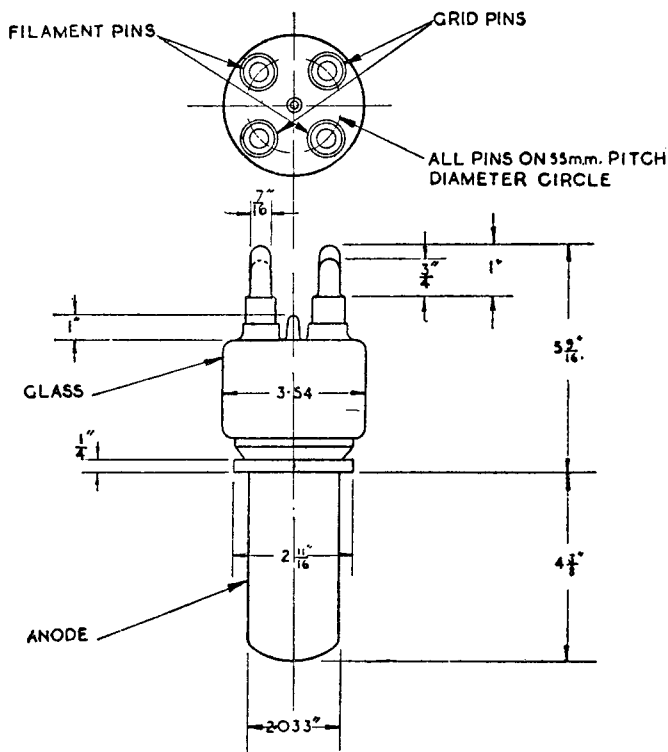
Water Flow (MAIN) 3 - 6 gallons per minute

AIR FLOW 15 cubic feet per minute should be directed on to seals.

DIMENSIONS

| | | |
|-----------------------------|--|-----|
| Maximum Overall Length (mm) | | 267 |
| Maximum Diameter (mm) | | 90 |

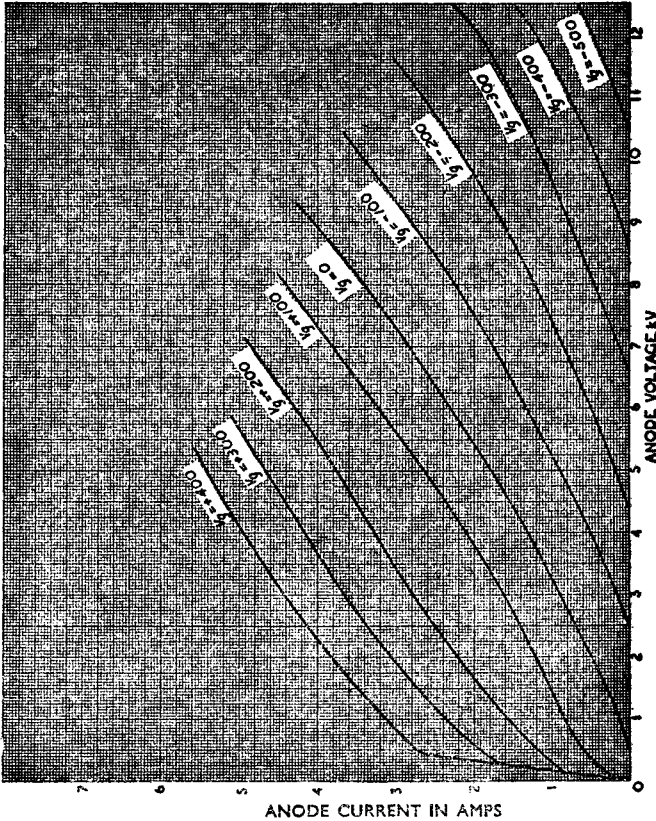
ESW5000
WATER COOLED TRIODE
 (Previously EHW5000)



All dimensions in mm. unless otherwise stated

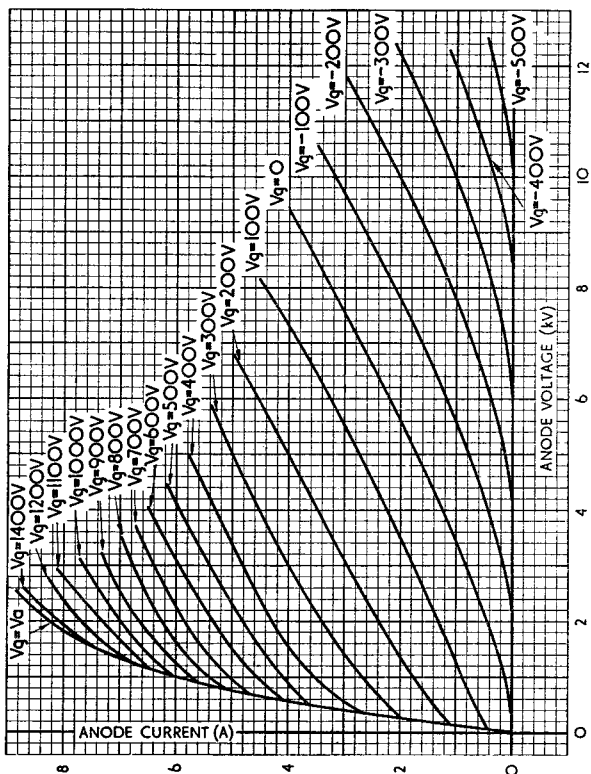
ESW5000
WATER COOLED TRIODE
(Previously EHW5000)

AVERAGE CHARACTERISTIC CURVES



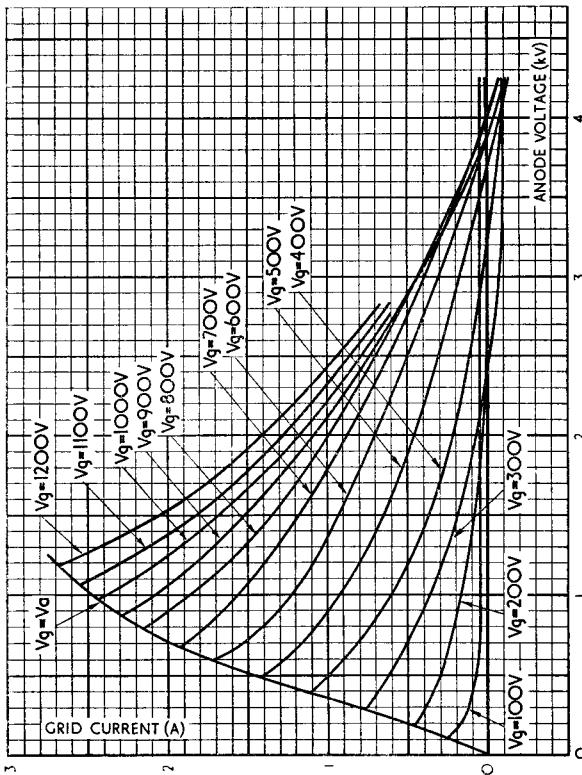
ESW5000
WATER COOLED TRIODE
 (Previously EHW5000)

AVERAGE CHARACTERISTIC CURVES: I_a/V_a
 ($V_f = 11$ Volts A.C.)



ESW5000
WATER COOLED TRIODE
 (Previously EHW5000)

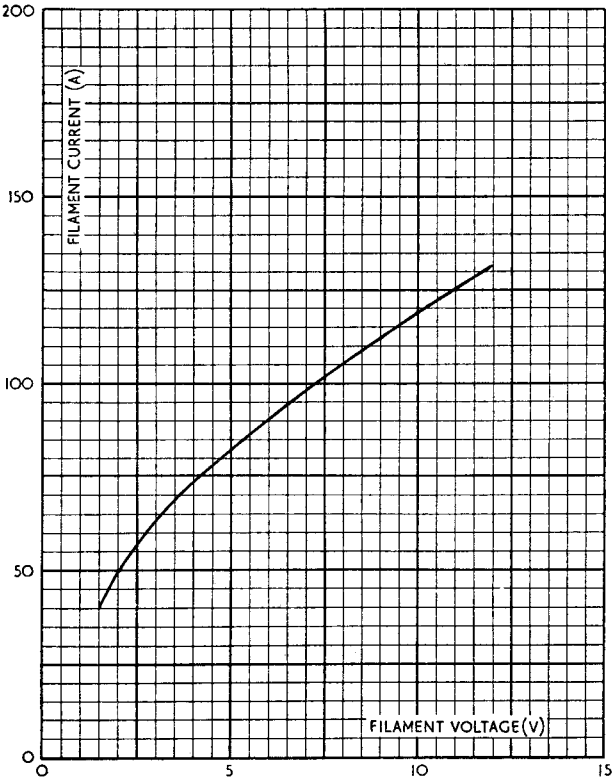
CHARACTERISTIC CURVES: I_g/V_a
 ($V_f = 11$ Volts A.C.)





ESW5000
WATER COOLED TRIODE
(Previously EHW5000)

AVERAGE CHARACTERISTIC CURVE: I_f/V_f
(Cold resistance = 0.0003 Ω)





ESW5000
WATER COOLED TRIODE
(Previously EHW5000)

CHARACTERISTIC CURVE: I_{em}/V_f

