

General Description

The ET4005 series are remote control transmitter which uses CMOS technology.

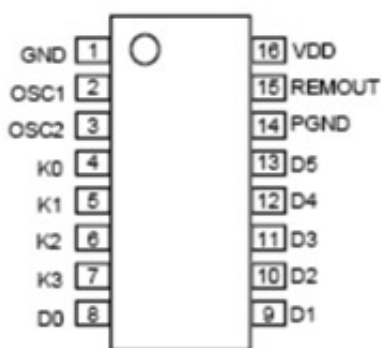
This enables transmission code outputs of different configurations, multiple custom code output, and double push key output for easy fabrication.

The ET4005 are suitable for remote control of TV, VCR, FANS, Air conditioners, Audio Equipment, Toys, Games, etc.

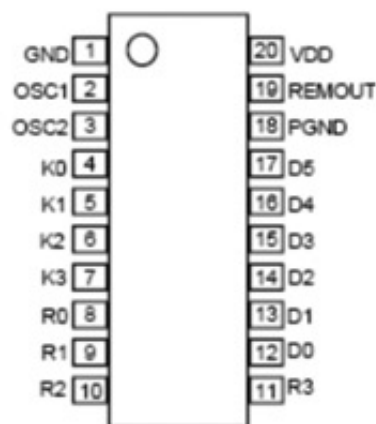
Features

- Program memory: 1024 Bytes
- Data memory: 32×4 bits
- 43 types of instruction set
- 3 levels of subroutine nesting
- Operating frequency: 300kHz~1MHz at KHz version
2.4MHz~4MHz at MHz version
- Instruction cycle: $f_{OSC}/6$ at KHz version
 $f_{OSC}/48$ at MHz version
- CMOS process (Single 3.0V power supply)
- Stop mode (Through internal instruction)
- Released stop mode by key input(Masked option)
- Built in Power-on Reset circuit
- Built in Low Voltage Detection circuit
- Built in capacitor for ceramic oscillation circuit at kHz version
- Built in a watch dog timer (WDT)
- Built in transistor for I.R LED Drive : $I_{OL} = 200\text{mA}$ at $V_{DD} = 3\text{V}$ & $V_{O} = 0.3\text{V}$
- Low operating voltage: 2.0 ~ 3.6V (at 300kHz ~ 4MHz)
- Package : SOP16(ET4005A), SOP20(ET4005B), SOP24(ET4005C)

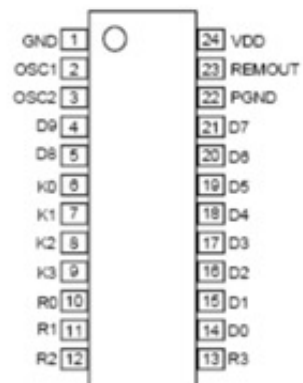
Pin Configuration



ET4005A



ET4005B



ET4005C