

## General Description

ET4684 is an advanced CMOS analog switch fabricated in Sub-micron silicon gate CMOS technology. The device is a dual Independent Single Pole Double Throw (SPDT) switch featuring. Ultra-Low RON of  $0.8\Omega$  for the Normally Opened switch at 2.7 V. The part also features guaranteed Break Before Make switching, assuring the switches never short the driver.

## Features

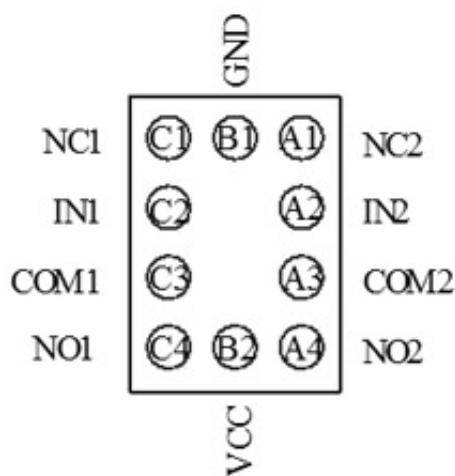
- Ultra-Low RON  $0.65\Omega$  at 2.7 V
- Single Supply Operation from 1.8–5.5 V
- Low Crosstalk, < 83 dB at 100 kHz
- Full 0–VCC Signal Handling Capability
- High Isolation, <65 dB at 100 kHz
- Low Standby Current, <50 nA
- Low Distortion, THD<0.14%
- RON Flatness of  $0.15\Omega$
- High Continuous Current Capability: $\pm 300$  mA Through Each Switch
- Package: CSP10(ET4684Z)

Marking : E4684

## Applications

- Cell Phone
- Speaker Switching
- Power Switching
- Modems
- Automotive

## Pin Configuration



Top View