

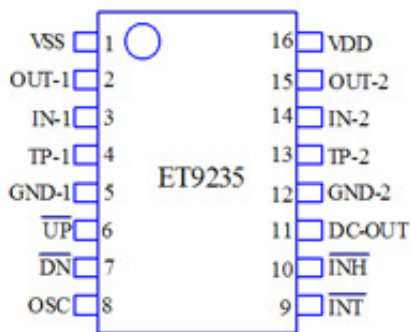
General Description

The ET9235 is an optimum CMOS IC which has been designed for electronization of volume control of audio equipment, etc.

Features

- Attenuation can be controlled from 0dB to -78dB by up, down input.
- This IC have 20dB tap for loudness circuit.
- This IC features a built-in DC output circuit (7 level) for volume level meter.
- Polysilicon resistors enable low-distortion, high-performance volume systems.
- Volume level remains in backup mode with low current consumption.
- Package is DIP16(ET9235P)、SOP16FJ(ET9235M)、SOP16(ET9235)

Pin Assignments



DIP16(ET9235P)、SOP16FJ(ET9235M)、SOP16(ET9235)