

3 CHANNEL DIFFERENTIAL AMPLIFIER-COMPARATOR

Phototransistor input version of the standard ET9560

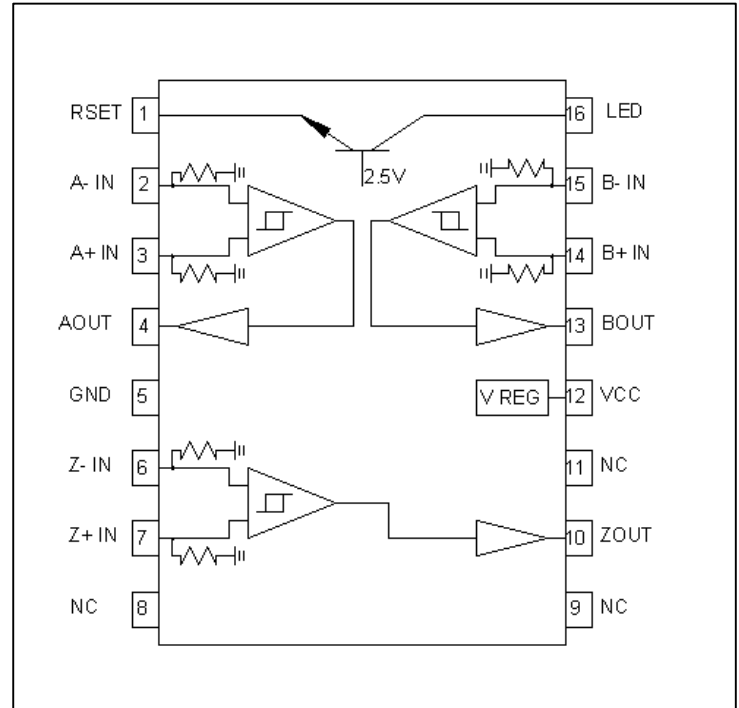
ET9561

FEATURES

- Supply Voltage Range 4.5V to 30V
- Designed for phototransistor inputs
- Ungated index channel
- Current sink for LED drive (see application note **APP-D2**)
- Outputs short circuit protected
- 25mA peak drive current

APPLICATIONS

- Optical Encoders
- Industrial Controls



DESCRIPTION

These devices are specifically designed as receiver circuits for the phototransistor signals available in some optical encoders. Connect the emitters of the phototransistors to the input pins, with the collectors connected to Vcc. The inputs have 330 ohm resistors to terminate the phototransistors in an emitter follower mode. Differential inputs enhance noise rejection and performance over temperature. Care should be taken to use phototransistors on differential input pairs which have similar values of DC leakage current, as large differences in this characteristic will affect waveform symmetry.

ABSOLUTE MAXIMUM RATINGS

Parameter	Symbol	Min.	Max.	Units	Ref.
Operating Temperature Range	T_A	-40	125	°C	Note 1
Supply Voltage Range	V_{CC}	4.5	30	V	

ETIC RESERVES THE RIGHT TO MAKE CHANGES AT ANY TIME TO IMPROVE THE DESIGN AND TO SUPPLY THE BEST PRODUCT.

© 2000, Rev A1

iC-Haus GmbH

Integrated Circuits

Am Kuemmerling 18, D-55294 Bodenheim

Tel +49-6135-9292-0

Fax +49-6135-9292-192

<http://www.ichaus.com>

ELECTRICAL CHARACTERISTICS

Unless otherwise specified, typical values given at $V_{CC}=12V$, $T_A = 25^{\circ}C$, with LED and RSET open.

Parameters	Symbol	Min.	Typ.	Max.	Units	Test Conditions
High Level Supply Current	ICCH1	4.0	6.7	11.0	mA	$V_{CC} = 4.5 V$
	ICCH2	4.5	7.5	12.0		$V_{CC} = 30.0V$
Peak Photocurrent Input	IIP	0.3	0.5	15	mA	Note 2
Dark Cell Level	IID	0.0	0.05	7.5	mA	
Photocurrent Contrast Ratio	IR	2:1	-	-		Peak:Dark Cell
Hysteresis at Comparator Inputs	IH	6	11	20	mV	
Output High Level Voltage	V_{OH}	2.5	3.0		V	$I_{OH} = -4mA, V_{CC} = 4.5V$
		28.0	28.5			$I_{OH} = -4mA, V_{CC} = 30V$
Output Low Level Voltage	V_{OL}		199	400	mV	$V_{CC} = 4.5V-30V$ $I_{OL} = 8mA$
Output Short-Circuit Current Driving High (All Outputs)	I_{OS}	15	25	50	mA	$V_{CC} = 5V, V_{OUT} = 0V$
Output Short-Circuit Current Driving Low (All Outputs)	I_{OS}	30	70	120	mA	$V_{CC} = 5V, V_{OUT} = 5V$
RSET Voltage	V_{RSET}	1.3	1.7	2.1	V	$R = 180 \text{ ohms}$

AC SWITCHING CHARACTERISTICS

Values given at $V_{CC} = 5V$, $T_A = 25^{\circ}C$, $C_L = 15pF$ on all outputs.

Parameters	Symbol	Min.	Typ.	Max	Units	Test Conditions
Propagation delay from Comparator Input to Output	T_{PD}		850		ns	
Output Rise Time	T_R		100		ns	
Output Fall Time	T_F		20		ns	

NOTES:

1. This is not a test parameter, but for information only.
2. Higher signal levels can be handled by adding resistors from the inputs to ground.

PACKAGE

Chip Only
16 Lead SOIC

SUFFIX

-C
-SOP

ETIC RESERVES THE RIGHT TO MAKE CHANGES AT ANY TIME TO IMPROVE THE DESIGN AND TO SUPPLY THE BEST PRODUCT.