

30V Input Standoff, 1A Fully Integrated Linear Charger for 1 Cell Li-ion Battery

DESCRIPTION

ETA4042 is a single cell, fully integrated constant current (CC)/constant voltage (CV) Li-ion battery charger. Its compact package with minimum external components requirement makes the ETA4042 ideal for portable applications. No external sense resistor or blocking diode is necessary for the ETA4042. Build-in thermal feedback mechanism regulates the charge current to control the die temperature during high power operation or at elevated ambient temperature. The ETA4042 has the function of pre-charge, which can charge the deeply discharged batteries by trickle. The fast charge current can be programmed by an external resistor. CV regulation mode is automatically enabled once the battery's charging curve reaches the constant voltage portion. The output current then decays and is finally terminated once the charge current drops to the current threshold set by RIBF. The ETA4042 keeps monitoring the battery voltage and enables a new charge cycle once the voltage drops by 200mV below the CV value. ETA4042 is in a DFN3x3-10 package.

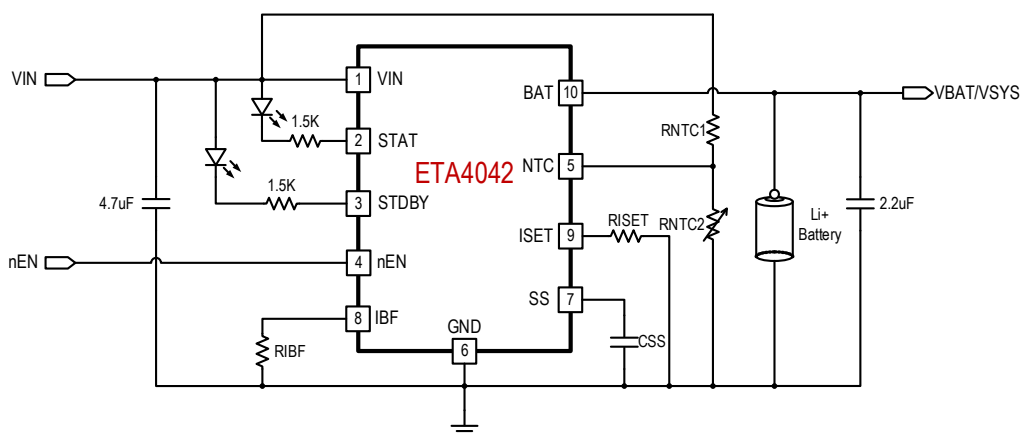
FEATURES

- ◆ 30V Input Standoff Voltage
- ◆ 4.2V Charge Termination Voltage
- ◆ 2.6V Trickle Charge Threshold
- ◆ Input Over Voltage Protection
- ◆ Charge Current Programmable, up to 1A
- ◆ 400nA BAT Current when No Charging
- ◆ Soft-start Limits in-rush Current
- ◆ DFN3x3-10 Package

APPLICATIONS

- ◆ E-cigarette
- ◆ Toys
- ◆ Bluetooth Applications
- ◆ Li-ion Battery Powered Devices

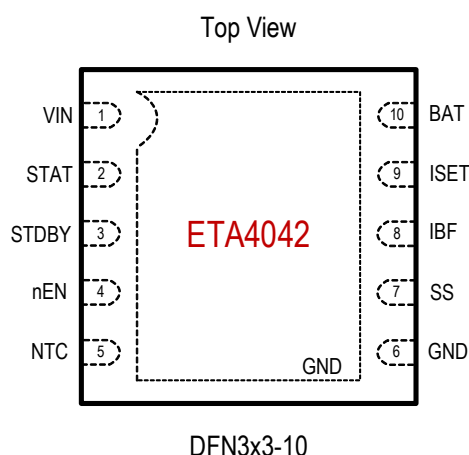
TYPICAL APPLICATION



ORDERING INFORMATION

PART No.	PACKAGE	TOP MARK	Pcs/Reel
ETA4042D3K	DFN3x3-10	ETA4042 YWW2L	5000

PIN CONFIGURATION



ABSOLUTE MAXIMUM RATINGS

(Note: Exceeding these limits may damage the device. Exposure to absolute maximum rating conditions for long periods may affect device reliability.)

VIN Voltage	-0.3V to 30V
BAT, STDBY, STAT, NTC, nEN Voltage	-0.3V to 16V
All other pins Voltage.....	-0.3V to 6V
Operating Temperature Range.....	-40°C to 85°C
Storage Temperature Range	-55°C to 150°C
Thermal Resistance θ_{JC} θ_{JA}	
DFN3x3-10	12 50 °C/W
Lead Temperature (Soldering, 10sec)	260°C
ESD HBM (Human Body Mode).....	2KV
ESD CDM (Charged Device Mode).....	1KV

ELECTRICAL CHARACTERISTICS

(VIN = 5V, unless otherwise specified. Typical values are at TA = 25°C.)

PARAMETER	CONDITIONS	MIN	TYP	MAX	UNITS
Input Standoff Voltage		30			V
Input Over-Voltage Protection Voltage	VIN Rising, Hys=0.4V	5.7	6.1	6.5	V
Input Voltage Range for Charging		4.25		6	V
Input Supply Current	Charge Mode		800	2000	µA
	Standby Mode (Charge Terminated)		180	360	µA
	Shutdown Mode (ISET not Connected, or VIN < VBAT, or VIN < VUVLO)		45	90	µA
Regulated Output (Float) Voltage	R _{ISET} = 10K, I _{BAT} = 40mA	4.16	4.2	4.24	V
BAT Pin Current	R _{ISET} = 2K, CC Mode, V _{BAT} =3.8V	810	900	990	mA
	R _{ISET} = 1.6K to 8K, CC Mode	90	100	110	%I _{CHRG}
	Standby Mode, V _{BAT} = 4.2V		6	8	µA
	Shutdown Mode, ISET not Connected	0	0.4	0.7	µA
	Sleep Mode, VIN = 0V	0	0.4	0.7	µA
Trickle Charge Current	V _{BAT} < V _{TRICKLE}	8	10	12	%I _{CHRG}
Trickle Charge Threshold Voltage	V _{BAT} Rising	2.45	2.60	2.75	V
Trickle Charge Hysteresis Voltage			100		mV
VIN Under-voltage Lockout Threshold	VIN From Low to High	3.3	3.6	3.9	V
VIN Under-voltage Lockout Hysteresis		0.4	0.55	0.65	V

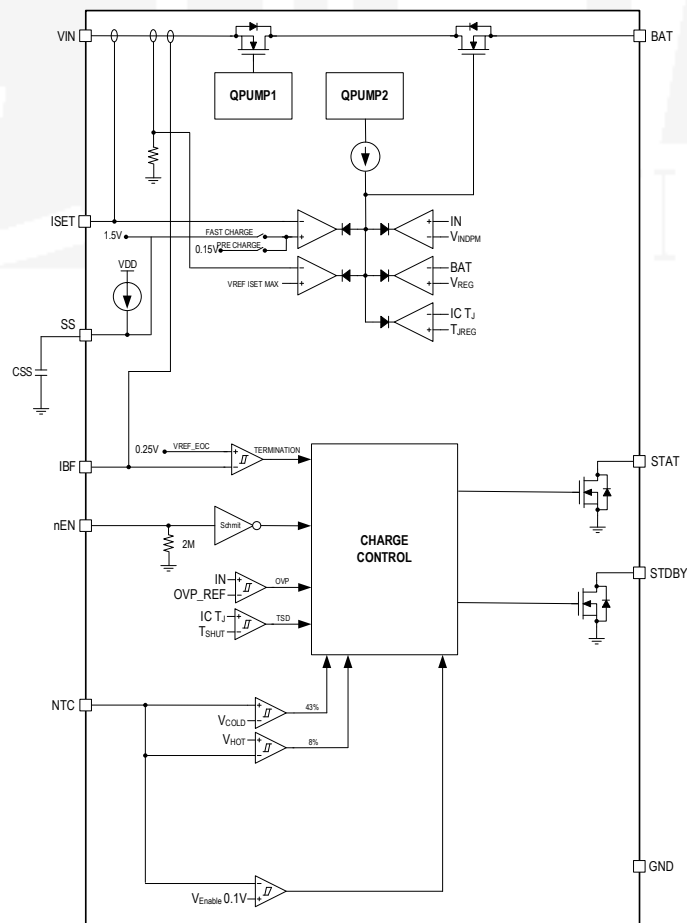
PARAMETER	CONDITIONS	MIN	TYP	MAX	UNITS	
VIN-VBAT Lockout Threshold Voltage	V _{IN} from Low to High	70	150	230	mV	
	V _{IN} from High to Low	20	70	130		
Termination Current Threshold		1.7V/RIBF(KΩ)			A	
ISET Pin Voltage	CC Mode, V _{BAT} =4V	1.35	1.5	1.65	V	
STAT/STDBY Pin Weak Pull-Down Current	V _{STAT} = 5V	0.1			μA	
STAT/STDBY Pin Output Low Voltage	I _{STAT} or I _{STDBY} = 5mA	0.7			1.4	V
Recharge BAT Threshold Voltage	V _{BAT} Falling	100	200	300	mV	
Junction Temperature in Constant Temperature Mode		110			°C	
Power FET "ON" Resistance (Between VIN and BAT)		0.6			Ω	
Soft-Start Time	I _{BAT} = 0 to I _{BAT} = 90% Full Current, C _{SS} =0.1μF	80			ms	
ISET Pin Pull-Up Current		1			μA	
nEN Pull-down Resistance		2			MΩ	
Enable Charger	nEN Pin Falling	0.6			V	
Disable Charger	nEN Pin Rising	1.6			V	
NTC Threshold, Cold	Charger Suspended	43			%VIN	
NTC Threshold, Hot	Charger Suspended	6			%VIN	
NTC Threshold Hysteresis		2			%VIN	
NTC Disable Threshold	Tie NTC to GND	0.1			V	
NTC Input Leakage		0	1		μA	

PIN DESCRIPTION

PIN#	NAME	DESCRIPTION
1	VIN	Positive Input Supply. Needs to be bypassed with at least a 4.7μF capacitor.
2	STAT	Open-Drain Output for In Charging flag. The STAT pin outputs low when the battery is in charging. Upon the completion of the charge cycle, it becomes high-impedence.
3	STDBY	Open-Drain Output for Charge Finished flag. The STDBY pin outputs low when the battery is finished charging. When in the status of charging, it becomes high-impedence.
4	nEN	Enable the IC charger or not. Drive this pin low or floating to enable charger, high to disable.
5	NTC	Negative Thermal Coefficient (NTC) thermistor pin. Connect a 500KΩ resistor from this pin to VIN pin and a 100KΩ NTC resistor (within the battery pack) from this pin to ground. If NTC function is not used, replace NTC resistor with a regular 100KΩ resistor from this pin to ground. Do not leave this pin floating.

PIN#	NAME	DESCRIPTION
6/ Exposed Pad	GND	Ground
7	SS	Soft-Start. Connect a capacitor to ground to set the soft-start time. The rising time constant is $SS \cdot 800000 \cdot CSS$, where CSS is in μF .
8	IBF	Charge Status Threshold Program. Connect this pin to an external resistor to program the charge termination current or battery full charge current.
9	ISET	Charge Current Setting. Program, Monitor the charge current and Shutdown. This pin set to 1.5V in constant-current mode. The charge current can be calculated using the following formula: $I_{BAT}(mA) = \frac{1}{R_{set}(k\Omega)} \times 1800$ The ISET pin can also be used to switch the charger to shutdown mode by disconnecting the program resistor from ground.
10	BAT	Charge Current Output. This pin provides charge current to the battery and regulates the final float voltage to 4.2V which is set by an internal precision resistor divider.

FUNCTION BLOCK DIAGRAM



FUNCTIONAL DESCRIPTIONS

The ETA4042 is a single cell, fully integrated constant current (CC)/constant voltage (CV) Li-ion battery charger. It can deliver up to 1000mA of charge current with a final float voltage accuracy of 1%. The ETA4042 has a built-in thermal regulation circuitry that ensures its safe operation. No blocking diode or external current sense resistor is required. The ETA4042 is also capable of operating from a USB power source.

Normal Charge Cycle

The ETA4042 initiates a charge cycle once the voltage at the VIN pin rises above the UVLO threshold level. A 1% precision resistor needs to be connected from the ISET pin to ground. If the voltage at the BAT pin is less than 2.6V, the charger enters trickle charge mode. In this mode, the charge current is reduced to nearly 1/10 the programmed value until the battery voltage is raised to a safe level for full current charging.

The charger switches to constant-current mode as the BAT pin voltage rises above 2.6V, the charge current is thus resumed to full programmed value. When the final float voltage (4.2V) is reached, the ETA4042 enters constant-voltage mode and the charge current begins to decrease until it drops to the current threshold set by RIBF, $IBF=1.7V/RIBF$ and ends the charge cycle.

Programming Charge Current

The charge current is programmable by setting the value of a precision resistor connected from the ISET pin to ground. The charge current is 1800 times of the current out of the ISET pin. The charge current out of the BAT pin can be determined at any time by monitoring the ISET pin voltage using the following equation:

$$I_{BAT}(mA) = \frac{1}{R_{set}(k\Omega)} \times 1800$$

Charge Termination

The ETA4042 keeps monitoring the ISET pin during the charging process. It terminates the charge cycle when the charge current falls to the current threshold set by RIBF, $IBF=1.7V/RIBF$ after the final float voltage is reached. When the ISET pin voltage falls below 200mV for longer than tTERM (typically 1ms), charging is terminated. The charge current is latched off and the ETA4042 enters standby mode, where the input supply current drops to 180μA. (Note: termination is disabled in trickle charging and thermal limiting modes).

During charging, the transient response of the circuit can cause the ISET pin to fall below 200mV temporarily before the battery is fully charged, thus can cause a premature termination of the charge cycle. A 1ms filter time on the termination comparator can prevent this from happening. Once the average charge current drops below the current threshold set by RIBF, $IBF=1.7V/RIBF$, the ETA4042 terminates the charge cycle and ceases to provide any current through the BAT pin. In this state, all loads on the BAT pin must be supplied by the battery.

The ETA4042 constantly monitors the BAT pin voltage in standby mode and resume another charge cycle if this voltage drops below the recharge threshold. User can also manually restart a charge cycle in standby mode either by removing and then reapplied the input voltage or restart the charger using the ISET pin.

Charge Status Indicator (STAT and STDBY pin)

There are 2 different states of the charge status, one is IN CHRGING, and the other is CHARGING FINISHED. STAT is the pin to pull low during IN CHARGING status and become high impedance in CHARGING FINISHED status. And STDBY pin just works the opposite way, pulling low after charge finished, and high impedance when in charging.

High Temperature Fold-back

Build-in feedback circuitry mechanism can reduce the value of the programmed charge current once the die temperature tends to rise above 50°C, hence prevents the temperature from further increase and ensure device safe operation.

Under-voltage Lockout (UVLO)

Build-in under-voltage lockout circuit monitors the input voltage and keeps the charger in shutdown mode until VIN rises above the under-voltage lockout threshold. The UVLO circuit has a built-in hysteresis of 500mV. Furthermore, to protect against reverse current in the power MOSFET, the UVLO circuit keeps the charger in shutdown mode if VIN falls to within 70mV of the battery voltage. If the UVLO comparator is tripped, the charger will not come out of shutdown mode until VIN rises 150mV above the battery voltage.

Manual Shutdown

There are two methods can disable the IC charger:

1. Driver the EN pin to high.
2. Floating the ISET pin by removing the resistor from ISET pin to ground.

Once one of above conditions happen, it can put the device in shutdown mode. The battery drain current is thus reduced to 400nA and the supply current to <math><50\mu\text{A}</math>. Reconnecting the resistor back will restart a new charge cycle. Once manually shutdown, the ISET pin is in a high impedance state.

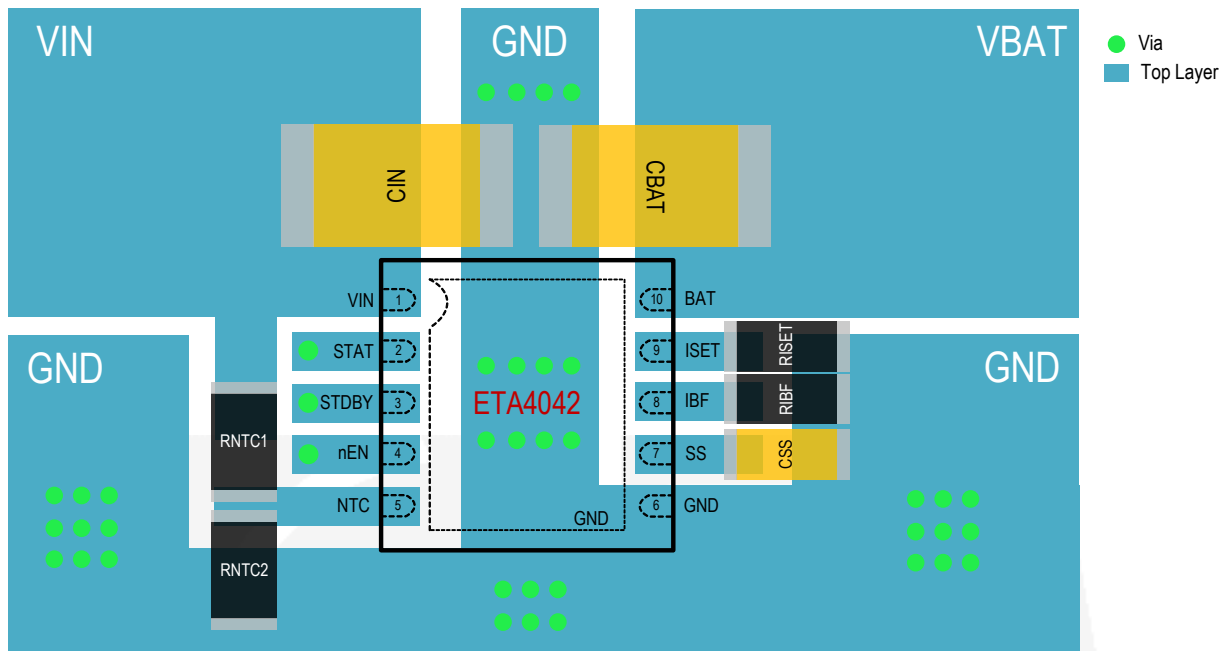
Automatic Recharge

After the termination of the charge cycle, the ETA4042 constantly monitors the BAT pin voltage and starts a new charge cycle when the battery voltage falls below 4V, keeping the battery at fully charged condition. ISET pin output enters a strong pull-down state during recharge cycles.

Battery Temperature Monitoring

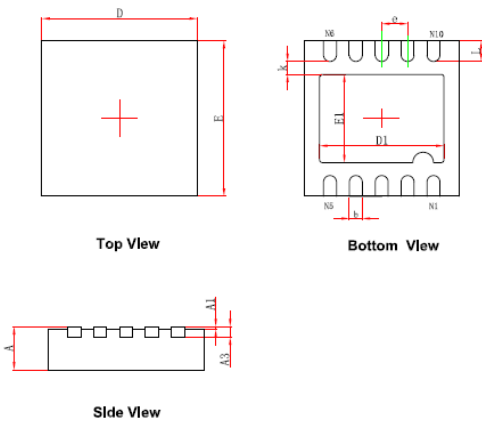
ETA4042 continuously monitors temperature by measuring the voltage of NTC pin. A negative or positive temperature coefficient thermistor and an external voltage divider typically develop this voltage. ETA4042 compares this voltage against its internal 43%VIN and 6%VIN thresholds to determine if charging is allowed. The temperature sensing circuit is immune to any fluctuation in VIN, since both the external voltage divider and the internal thresholds 43%VIN and 6%VIN are referenced to VIN. If the NTC pin is connected to GND will disable the temperature-sensing feature.

PCB GUIDELINES



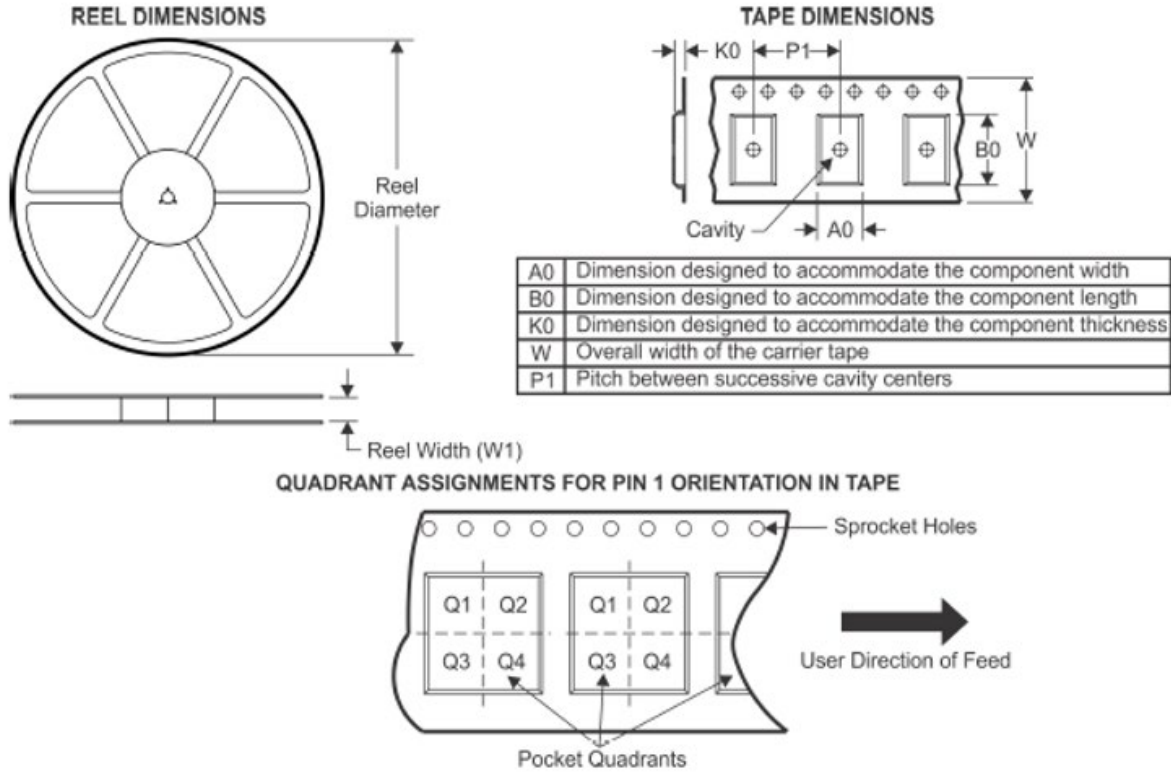
PACKAGE OUTLINE

Package: DFN3x3-10



Symbol	Dimensions In Millimeters		Dimensions In Inches	
	Min.	Max.	Min.	Max.
A	0.700/0.800	0.800/0.900	0.028/0.031	0.031/0.035
A1	0.000	0.050	0.000	0.002
A3	0.203REF.		0.008REF.	
D	2.924	3.076	0.115	0.121
E	2.924	3.076	0.115	0.121
D1	2.300	2.500	0.091	0.098
E1	1.600	1.800	0.063	0.071
k	0.200MIN.		0.008MIN.	
b	0.200	0.300	0.008	0.012
e	0.500TYP.		0.020TYP.	
L	0.324	0.476	0.013	0.019

TAPE AND REEL INFORMATION



Device	Package Type	Pins	SPQ	Reel Diameter (mm)	Reel Width W1 (mm)	A0 (mm)	B0 (mm)	K0 (mm)	P1 (mm)	W (mm)	Pin1 Quadrant
ETA4042D3K	DFN3x3-10	10	5000	330	12.4	3.35	3.35	1.13	8	12	Q1