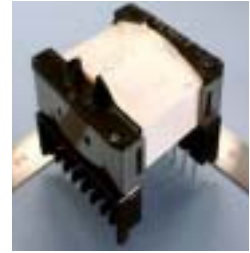


Type: ETD4435

◆ **Product Description**

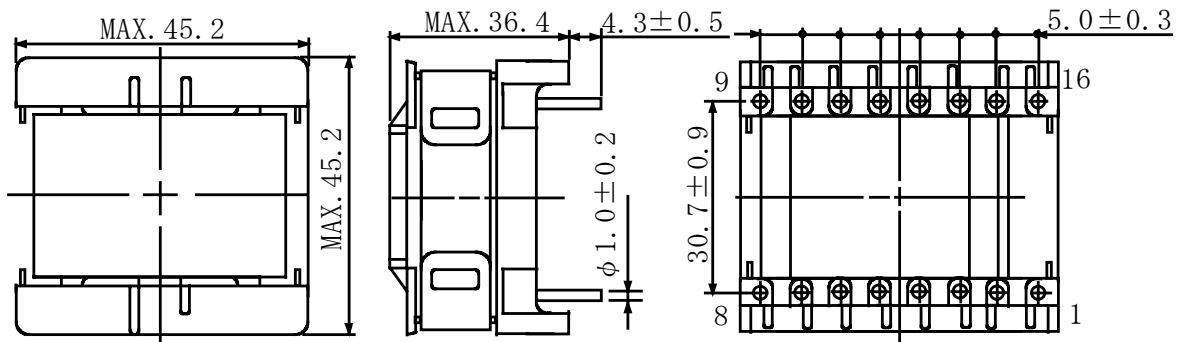
- 45.2×45.2mm Max.(L×W), 36.4mm Max. Height.
- In addition to the typical versions of parameters shown here, custom designs are available to meet your exact requirements.



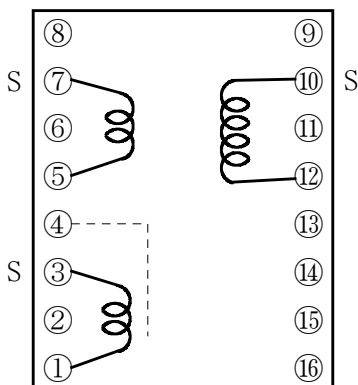
◆ **Feature**

- Max. Operating frequency 500kHz,Max. Operating Power 180W (500kHz).
- Ideally used in Switching power supply etc.
- RoHS Compliance

◆ **Dimensions (mm)**



◆ **Schematics (Bottom)**



“ S ” is winding start

◆ **Specification**

Sample No.	Inductance (10-12) 1kHz/1V	D.C.R. (10-12)	Hi-pot Winding-winding (50/60Hz)
3307-T087	17.0mH ± 40%	3.50Ω Max.	AC 1800Vrms/1min.