

# 1A, 2.25MHz Synchronous Step-Down DC/DC Regulator

## DESCRIPTION

The EUP3290 is synchronous step-down DC-DC converters optimized for battery powered portable applications. The 2.7V to 5.5V input voltage range makes EUP3290 ideal for powering portable equipment that runs from 1-cell Li-Ion or 3-cell NiMH/NiCD batteries. The device is also suitable to operate from a standard 3.3V or 5V voltage rail.

The EUP3290 operates at 2.25MHz fixed switching frequency allowing the use of small inductors and capacitors to achieve a small solution size. The internal synchronous switch increases efficiency and eliminates the need for an external schottky diode. The EUP3290 has internal soft start and avoids inrush current during startup.

The EUP3290 has a user selectable mode of forced PWM and PFM/PWM mode. The forced PWM mode operation provides the lowest ripple noise and the PFM mode operation provides high efficiency at light loads. The EUP3290 is available in TSOT23-5 and TDFN-6 package. For TDFN-6 package, it provides up to 1A output current.

## FEATURES

- High Efficiency Up to 95%
- 2.25MHz Constant Switching Frequency
- 1A Available Load Current
- 30 $\mu$ A Typical Quiescent Current
- 2.7V to 5.5V Input Voltage Range
- Adjustable Output Voltage as Low as 0.6V
- No Schottky Diode Required
- Short Circuit and Thermal Protection
- Internal Soft Start Function
- Available in TDFN-6 and TSOT23-5 Packages
- RoHS Compliant and 100% Lead(Pb)-Free Halogen-Free

## APPLICATIONS

- SSD Module
- Smart Phones
- Tablet PC
- Portable Media Players
- $\mu$ C/ $\mu$ P, FPGA and DSP Power
- Plug-in DC/DC Modules for Routers and Switchers

## Typical Application Circuit

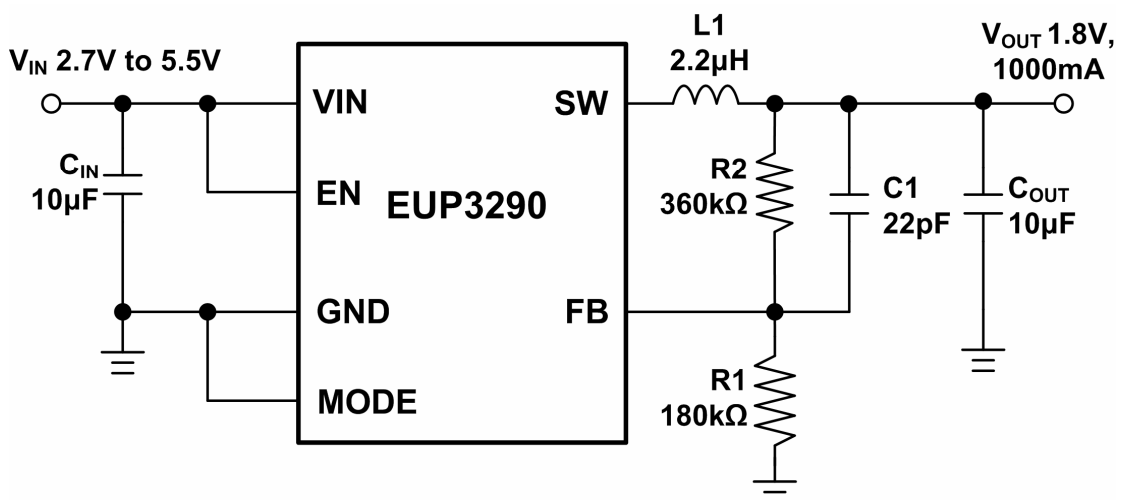


Figure 1.