

Varistor (MOV)

EV5 - 20mm Zinc Oxide Varistor

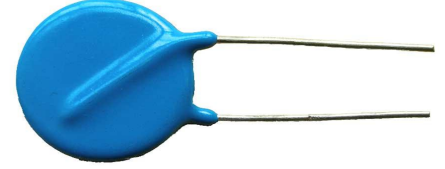
ELECSOUND®

Wide Operating voltage (V1mA) range from 18V~1800V
 Withstanding Surge Current: 2000~10000A
 Model Size: 20mm
 Fast responding to transient over-voltage<25ns
 Low Clamping ratio and no following-on current
 Rohs Compliant

Transistor, Diode, IC, Thyristor or diac semiconductor protection
 Surge protection in consumer electronics
 Surge protection in industrial electronics
 Surge protection in electronic home appliance, gas and petroleum.
 Relay and electromagnetic valve surge absorption

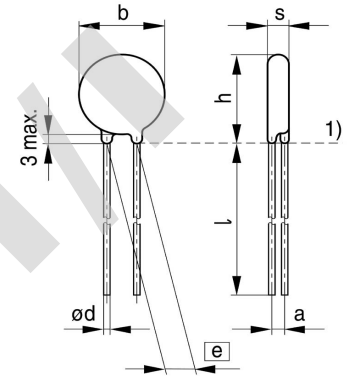
How To Order

EV5	20	D	471	K	T
MARKing	Chip Diameter	D: Disk	Voltage	Tolerance	Packing Style
	05 : 5mm	S: Square		K=±10%	
	07 : 7mm	E: Other	471: 47x10 ¹	L=±15%	T: Tape
	10 : 10mm				Nothing: bulk
	14 : 14mm				
20 : 20mm					



Diameter And Size(Unit: mm)

Voltage	B (Max.)	H (Max.)	L (Min.)	E ±1	ød (Max.)	S (Max.)
180K-680K	23	25	25	10	1	5.0
820K-201K	23	25	25	10	1	5.0
221K-331K	23	25	25	10	1	5.5
361K-471K	23	25	25	10	1	6.0
511K-561K	23	25	25	10	1	6.5
621K-681K	23	25	25	10	1	7.0
751K-821K	23	25	25	10	1	7.5
911K-122K	23	25	25	10	1	8.0
142K-162K	23	25	25	10	1	10.0
182K	23	25	25	10	1	12.0



Electrical Characteristics

Part number	Voltage at DC _{1mA} (25°C)	Max. Continuous Applied Voltage		Max. Voltage at Class Current V _c (V)	Class Current (8/20us) I _p (A)	Energy Surge (10/1000us) high(J)	Std. Energy (J)	Max. Peak Current (A)	Std. I(A)	Rated Power (W)	Typical Capatance @1KHz(pf)
		AC(V)	DC(V)								
EV5-20D180L	18(15-21.6)	11	14	38	20	13	12	3000	2000	0.2	39000
EV5-20D220K	22(19.5-24)	14	18	43	20	16	14	3000	2000	0.2	32000
EV5-20D270K	27(24-31)	17	22	53	20	19	17	3000	2000	0.2	22000
EV5-20D330K	33(29.5-36.5)	20	26	65	20	24	21	3000	2000	0.2	18000
EV5-20D390K	39(35-43)	25	31	77	20	28	25	3000	2000	0.2	16000
EV5-20D470K	47(42-52)	30	38	93	20	34	30	3000	2000	0.2	14000
EV5-20D560K	56(50-62)	35	45	110	20	41	36	3000	2000	0.2	12000
EV5-20D680K	68(61-75)	40	56	135	20	49	44	3000	2000	0.2	10000
EV5-20D820K	82(74-90)	50	65	135	100	56	50	10000	7000	1	5800
EV5-20D101K	100(90-110)	60	85	165	100	72	55	10000	7000	1	4800
EV5-20D121K	120(108-132)	75	100	200	100	88	60	10000	7000	1	3800
EV5-20D151K	150(135-165)	95	125	250	100	106	75	10000	7000	1	3000
EV5-20D181K	180(162-198)	115	150	300	100	130	90	10000	7000	1	2600
EV5-20D201K	200(180-225)	130	170	340	100	160	115	10000	7000	1	2000
EV5-20D221K	220(198-242)	140	180	360	100	180	130	10000	7000	1	1800
EV5-20D241K	240(216-264)	150	200	395	100	200	140	10000	7000	1	1500
EV5-20D271K	270(243-297)	175	225	455	100	210	145	10000	7000	1	1400
EV5-20D301K	300(270-330)	195	250	505	100	216	148	10000	7000	1	1350
EV5-20D331K	330(297-363)	210	275	550	100	228	160	10000	7000	1	1300
EV5-20D361K	360(324-396)	230	300	595	100	255	180	10000	7000	1	1250
EV5-20D391K	390(351-429)	250	320	650	100	275	195	10000	7000	1	1180
EV5-20D431K	430(387-473)	275	350	710	100	303	215	10000	7000	1	1100
EV5-20D471K	470(423-517)	300	385	775	100	350	250	10000	7000	1	1050
EV5-20D511K	510(459-561)	320	418	842	100	382	273	10000	7000	1	1000
EV5-20D561K	560(504-616)	350	460	920	100	385	277	10000	7000	1	970
EV5-20D621K	620(558-682)	385	510	1025	100	390	280	10000	7000	1	950
EV5-20D681K	680(612-748)	420	560	1120	100	400	290	10000	7000	1	900
EV5-20D751K	750(675-825)	460	615	1240	100	420	300	10000	7000	1	850
EV5-20D781K	780(702-858)	485	640	1290	100	445	315	10000	7000	1	750
EV5-20D821K	820(738-902)	510	670	1335	100	460	325	10000	7000	1	700
EV5-20D911K	910(819-1002)	545	745	1500	100	510	360	10000	7000	1	600
EV5-20D951K	950(855-1045)	575	775	1580	100	535	380	10000	7000	1	550
EV5-20D102K	1000(900-1102)	625	825	1650	100	560	400	10000	7000	1	500
EV5-20D112K	1100(990-1212)	680	895	1815	100	620	440	10000	7000	1	450
EV5-20D182K	1800(1620-1982)	1000	1465	2970	100	1020	720	10000	7000	1	220