

HIGH VOLTAGE DC RELAY

EVR-50



EVR50

▶ 코일정격 (Magnet coil ratings)

Nominal voltage(V)	Item	Nominal Coil current (mA)	Coil resistance (Ω)	Pick-up voltage (V)max.	Drop-out voltage (V)min.	Max. voltage (V)max.	Coil power(W) dissipation
DC	110	29	3,750	75%	10%	130%	3 ~ 3.5
	72	45	1,600				
	60	54	1,120				
	48	66	730				
	36	90	400				
	24	133	180				
	12	267	45				
	6	545	11				

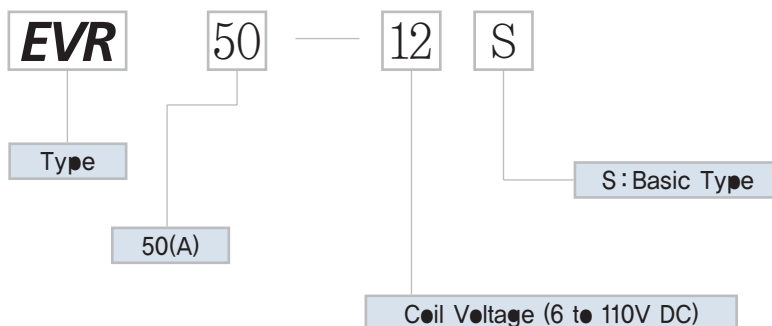
- Notes : 1. Nominal current and coil resistance are measured at +20°C.
 2. Differences of coil resistance are ±10%.
 3. Performance characteristic coil temperature is measured at +20°C.

▶ 접점정격 (Contact ratings)

(450VDC기준)

Item	Type	1Pole Resistive load (L/R≤1ms)
		EVR50
Max. switching current (wire size 10mm ²)		50A
Max. switching capacity		1200VDC 10A
Contact rating switching voltages		450VDC
Max. contact performance (wire size 10mm ²)		150A 30Sec.
		250A 10Sec.
Voltage drop across contacts per 50A		0.25V max.
Min. permissible load		12V DC 0.5A
Description		S.P On/Off, (1a)

▶ 주문방법 (Ordering information)



HIGH VOLTAGE DC RELAY

EVR-50

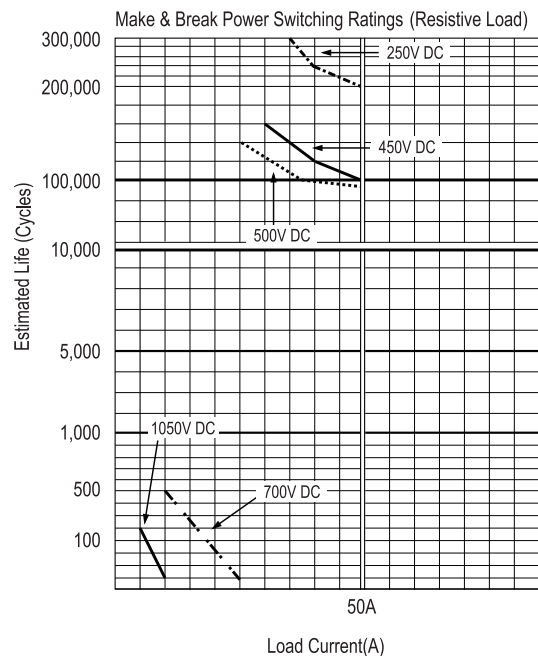
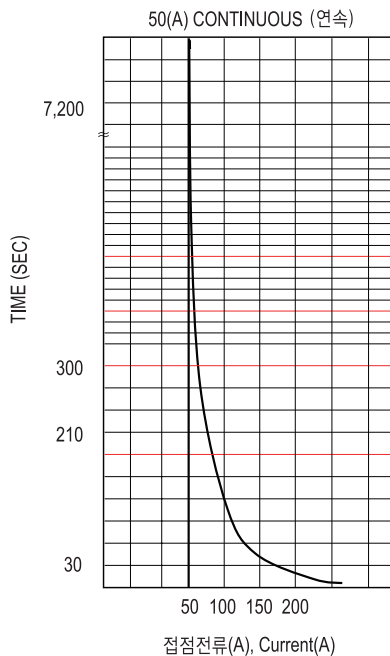


▶ 성능 (Characteristics)

Initial insulation resistance		Min. 100M Ω 500V DC
Expected life	Mechanical (Min.)	
	Electric (L/R \leq 1ms)	450V DC 50A
		250V DC 50A
Initial breakdown voltage	Between open contacts	2500V AC 1Min. 10mA
	Between contacts & coil	2500V AC 1Min. 10mA
Operate time (at 20°C)		Max. 20ms
Release time (at 20°C)		Max. 5ms
Shock resistance	Functional	Min 196 % {20G}, (10 μ s)
	Destructive	Min 490 % {50G}
Vibration resistance	Functional	43 % {4.4G} 10 to 200Hz, (10 μ s)
	Destructive	43 % {4.4G} 10 to 200Hz
Conditions for operation transport and storage	Ambient temperature	-40°C to +85°C
	Humidity	5 to 85% R.H.
Unit weight		110g

▶ 특성곡선 (Reference data)

- 온도상승곡선
- 통전시간의 최대치 Max, Current capacity
Max, Continuous thermal current rating (amperes)



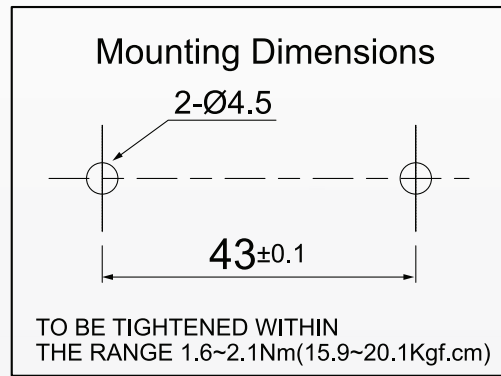
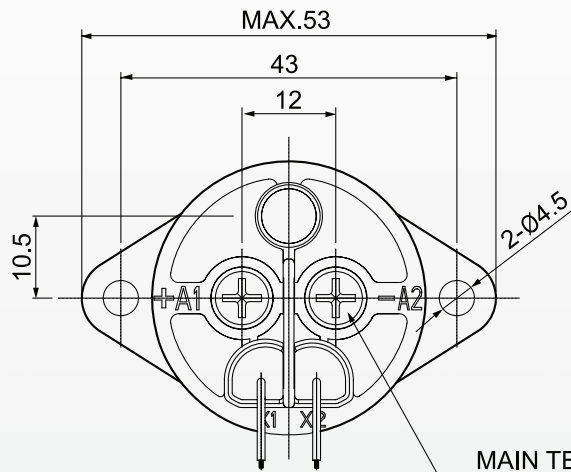
HIGH VOLTAGE DC RELAY

EVR-50

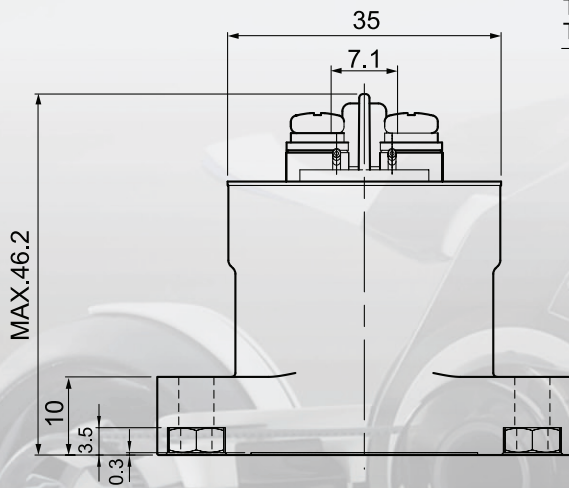


EVR50

▶ 외형치수도 (Dimension in mm)



MAIN TERMINALS
PH(±) SCREW 2-M4X10 S,P/WASHER



M4 MAIN TERMINALS
TO BE TIGHTENED WITHIN
THE RANGE 1.6~2.1Nm(15.9~20.1Kgf.cm)

