

EXAMINED BY :	EMERGING DISPLAY TECHNOLOGIES CORPORATION	FILE NO . CAS-10282
<b>Kevin Kuo</b>		ISSUE : MAY.06,2002
APPROVED BY:		TOTAL PAGE : 10
<i>Roger Yang</i>		VERSION : 1

CUSTOMER

ACCEPTANCE

SPECIFICATIONS

MODEL NO. :

32F00(LED TYPES)

FOR MESSRS :

\_\_\_\_\_

CUSTOMER'S APPROVAL

DATE :

\_\_\_\_\_

BY :

\_\_\_\_\_

EMERGING DISPLAY  
TECHNOLOGIES CORPORATION

MODEL NO . 32F00(LED TYPES)	VERSION 1
--------------------------------	--------------

RECORDS OF REVISION	DOC . FIRST ISSUE MAY.06,2002
---------------------	----------------------------------

DATE	REVISED PAGE NO.	SUMMARY

NUMBERING SYSTEM

Polarizer Mode	Backlight	Code value
Transflective	LED	L
Transmissive	LED	M

Backlight Color	Code Value
White	W

E W 3 2 F 0 0 B M W

LCD type + LCD color	Code Value
STN + Gray	G
STN + Blue	B
FSTN + White	F
FSTN + Black	N

TABLE OF CONTENTS

NO.	ITEM	PAGE
1.	GENERAL SPECIFICATIONS -----	1
2.	MECHANICAL SPECIFICATIONS -----	1
3.	ABSOLUTE MAXIMUM RATINGS -----	2
4.	ELECTRICAL CHARACTERISTICS -----	3
5.	TIMING CHARACTERISTICS -----	4 ~ 5
6.	OPTICAL CHARACTERISTICS -----	6
7.	OUTLINE DIMENSION -----	7
8.	BLOCK DIAGRAM -----	8
9.	DETAIL DRAWING OF DOT MATRIX -----	9
10.	INTERFACE SIGNALS -----	9
11.	POWER SUPPLY -----	10

1. GENERAL SPECIFICATIONS

1.1 GENERAL SPECIFICATIONS

PLEASE REFER TO :

CUSTOMER ACCEPTANCE STANDARD SPECIFICATIONS :

EU-002A

1.2 THIS INDIVIDUAL SPECIFICATION IS PRIOR TO GENERAL SPECIFICATIONS .

2. MECHANICAL SPECIFICATIONS

- (1) NUMBER OF DOTS ----- 320W \* 240H DOTS
- (2) MODULE SIZE ----- 139.0W \* 120H \* 13.2D(max.) mm
- (3) VIEWING AREA ----- 103.0W \* 79.0H mm
- (4) ACTIVE AREA ----- 95.97W \* 71.97H mm
- (5) DOT SIZE ----- 0.27W \* 0.27H mm
- (6) DOT PITCH ----- 0.30W \* 0.30H mm
- (7) LCD TYPE \*
- (8) DRIVING METHOD ----- 1 / 240 DUTY MULTIPLEX DRIVE
- (9) BACKLIGHT ----- LED , WHITE

\* PLEASE REFER TO NUMBERING SYSTEM .

### 3. ABSOLUTE MAXIMUM RATINGS

#### 3.1 ELECTRICAL ABSOLUTE MAXIMUM RATINGS .

PARAMETER	SYMBOL	MIN .	MAX .	UNIT	REMARK
POWER SUPPLY FOR LOGIC	VDD – VSS	0	7.0	V	
POWER SUPPLY FOR LCD DRIVING	VDD – VEE	0	32.0	V	
INPUT VOLTAGE	VI	VSS	VDD	V	
STATIC ELECTRICITY	—	—	100	V	NOTE (1)
POWER SUPPLY FOR LED	VLED – VLSS	—	6	V	

NOTE (1) : TEST METHOD AND CONDITIONS :  
AFTER CHARGING UP 200 PF CAPACITOR BY STATED VOLTAGE ,  
THE CAPACITOR IS CONNECTED WITH INTERFACE PINS OF THE  
MODULE .

#### 3.2 ENVIRONMENTAL ABSOLUTE MAXIMUM RATINGS .

I T E M	OPERATING		STORAGE		REMARK
	MIN .	MAX .	MIN .	MAX .	
AMBIENT TEMPERATURE	-10 °C	60 °C	-20 °C	70 °C	NOTE (2),(3)
HUMIDITY	—	85 % RH	—	85 % RH	WITHOUT CONDENSATION
VIBRATION	—	2.45 m/s <sup>2</sup> (0.25 G)	—	11.76 m/s <sup>2</sup> (1.2 G)	10~100 HZ XYZ DIRECTIONS 1 Hr . EACH
SHOCK	—	29.4 m/s <sup>2</sup> (3 G)	—	490.0 m/s <sup>2</sup> (50 G)	10 mSECONDS XYZ DIRECTIONS 1 TIME EACH
CORROSIVE GAS	NOT ACCEPTABLE		NOT ACCEPTABLE		

NOTE (2) : Ta AT -20 °C : 48HR MAX .  
70 °C : 168HR MAX .

NOTE (3) : BACKGROUND COLOR CHANGES SLIGHTLY DEPENDING ON AMBIENT  
TEMPERATURE THIS PHENOMENON IS REVERSIBLE .

4. ELECTRICAL CHARACTERISTICS

Ta = 25 °C

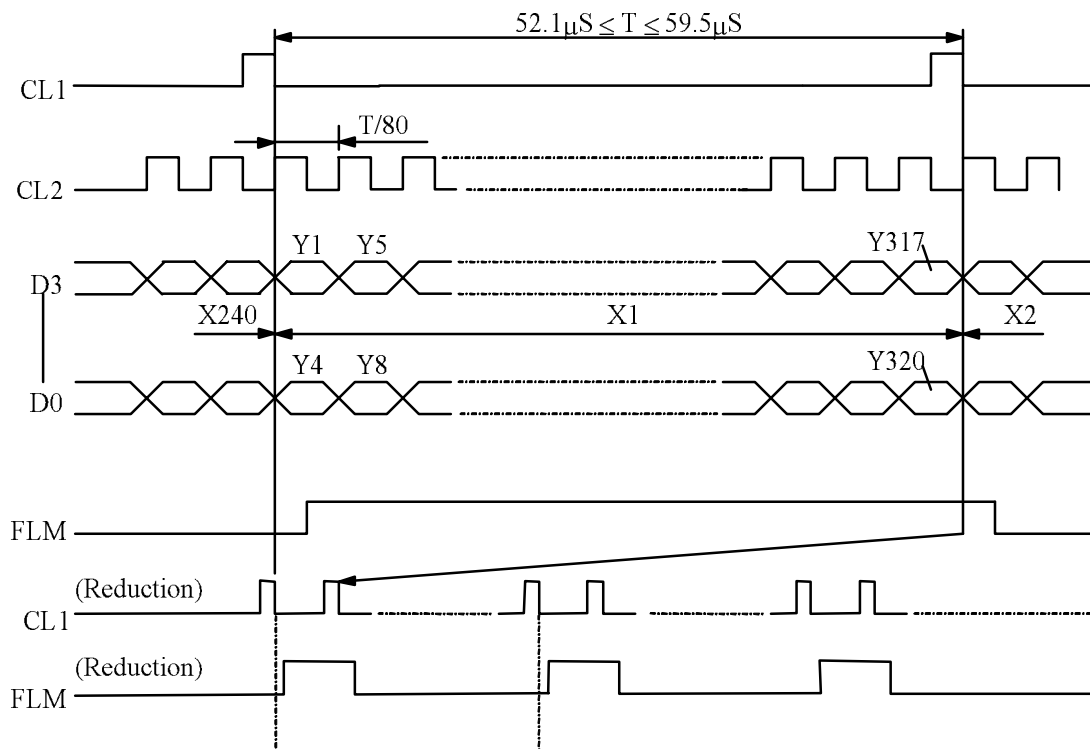
VDD = 5.0 V

PARAMETER	SYMBOL	CONDITION	MIN.	TYP.	MAX.	UNIT
POWER SUPPLY VOLTAGE FOR LOGIC	VDD - VSS	—	4.75	5.0	5.25	V
POWER SUPPLY VOLTAGE FOR LCD DRIVE	VDD - VEE	—	27	—	30.0	V
INPUT VOLTAGE NOTE (1)	VIH	H LEVEL	0.8*VDD	—	—	V
	VIL	L LEVEL	—	—	0.2*VDD	V
POWER SUPPLY CURRENT FOR LOGIC NOTE (2)	IDD	VDD - VSS = 5.0 V	—	6.0	—	mA
POWER SUPPLY CURRENT FOR LCD DRIVE NOTE (2)	IEE	VDD - VO = 23.5 V	—	5.0	—	mA
RECOMMENDED LCD DRIVING VOLTAGE NOTE (3)	VDD - VO ∅ = 10°, θ = 0° DUTY = 1/240	Ta = -10 °C	25.6	26.6	27.6	V
		Ta = 25 °C	22.5	23.5	24.5	V
		Ta = 60 °C	17.4	18.4	19.4	V
CLOCK OSCILLATION FREQUENCY	f FLM	—	70	75	80	Hz
LED FORWARD VOLTAGE	VLED - VLSS	—	—	5.0	—	V
LED FORWARD VOLTAGE	IF	VLED-VLSS=5.0V	—	120	—	mA

NOTE (1): APPLIED TO TERMINALS FLM, CL1, CL2, D0~D3,  $\overline{\text{DISPOFF}}$ .

NOTE (2): THE DISPLAY PATTERN IS ALL "OFF"/"ON".

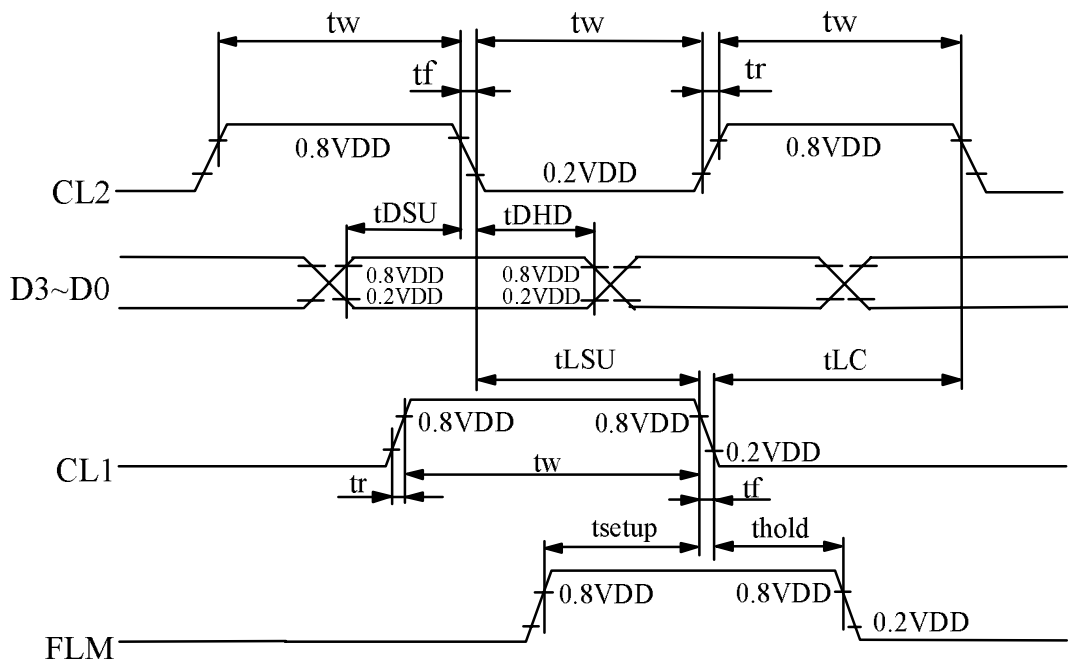
5. TIMING CHARACTERISTICS  
5.1 INTERFACE TIMING





5.2 SWITCHING CHARACTERISTICS

PARAMETER	SYMBOL	MIN.	TYP.	MAX.	UNIT
Frequency of maximum clock	fcp	—	—	8	MHz
CL1 , CL2 , pulse width	tw	45	—	—	ns
Rise , fall time	tr,tf	—	—	15	ns
Data setup time	tDSU	20	—	—	ns
Data hold time	tDHD	20	—	—	ns
CL1 setup time	tLSU	80	—	—	ns
CL1 → CL2 time	tLC	80	—	—	ns
FLM setup time	tsetup	100	—	—	ns
FLM hold time	thold	100	—	—	ns



6. OPTICAL CHARACTERISTICS

Ta = 25 °C

VDD = 5.0 V

I T E M		SYMBOL	CONDITION	MIN.	TYP.	MAX.	UNIT	NOTE
VIEWING AREA	STN	∅2 - ∅1	K ≥ 2.0	—	40	—	deg.	1
	FSTN			—	50	—	deg.	1
CONTRAST RATIO	STN	K	∅ = 10° θ = 0°	—	10	—	—	1
	FSTN			—	20	—	—	1
RESPONSE TIME	tr ( rise )	∅=10° θ = 0°	Ta = -10 °C	—	2149	—	ms	1
			Ta = 25 °C	—	228	—		
			Ta = 60 °C	—	124	—		
	tf ( fall )		Ta = -10 °C	—	1709	—		
			Ta = 25 °C	—	191	—		
			Ta = 60 °C	—	96	—		
BRIGHTNESS OF BACKLIGHT	B	VLED - VLSS = 5.0 V	( 7 )	—	—	cd / m <sup>2</sup>	1 , 2	
			( 5 )	—	—		1 , 3	
CHROMATICITY COORDINATES	X	IF = 120 mA	0.26	0.315	0.33	—	—	
	Y		0.29	0.305	0.32			

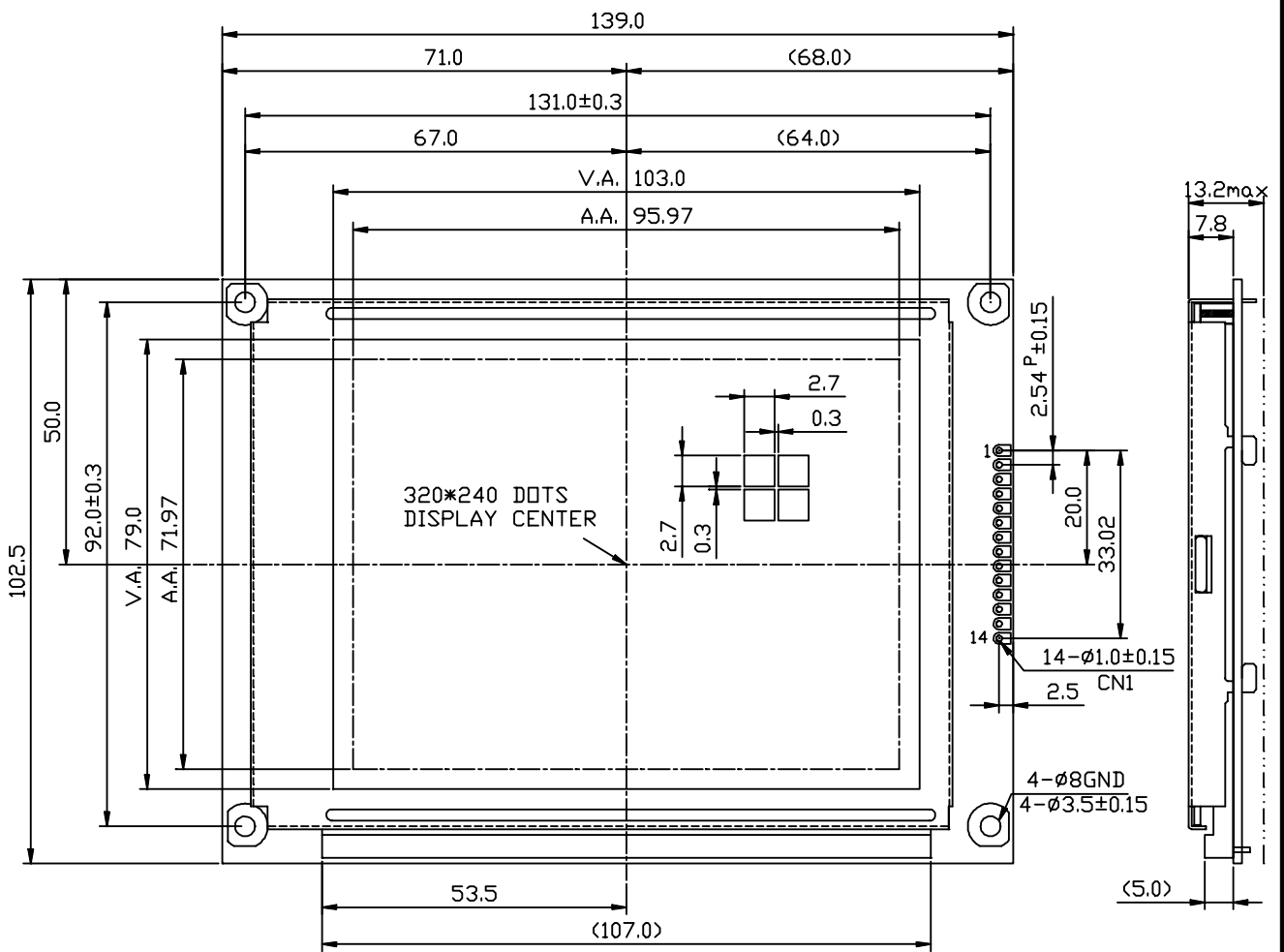
NOTE (1) : PLEASE REFER TO :

CUSTOMER ACCEPTANCE STANDARD SPECIFICATIONS. (EU - 002A)

NOTE (2) : POLARIZER MODE : TRANSMISSIVE

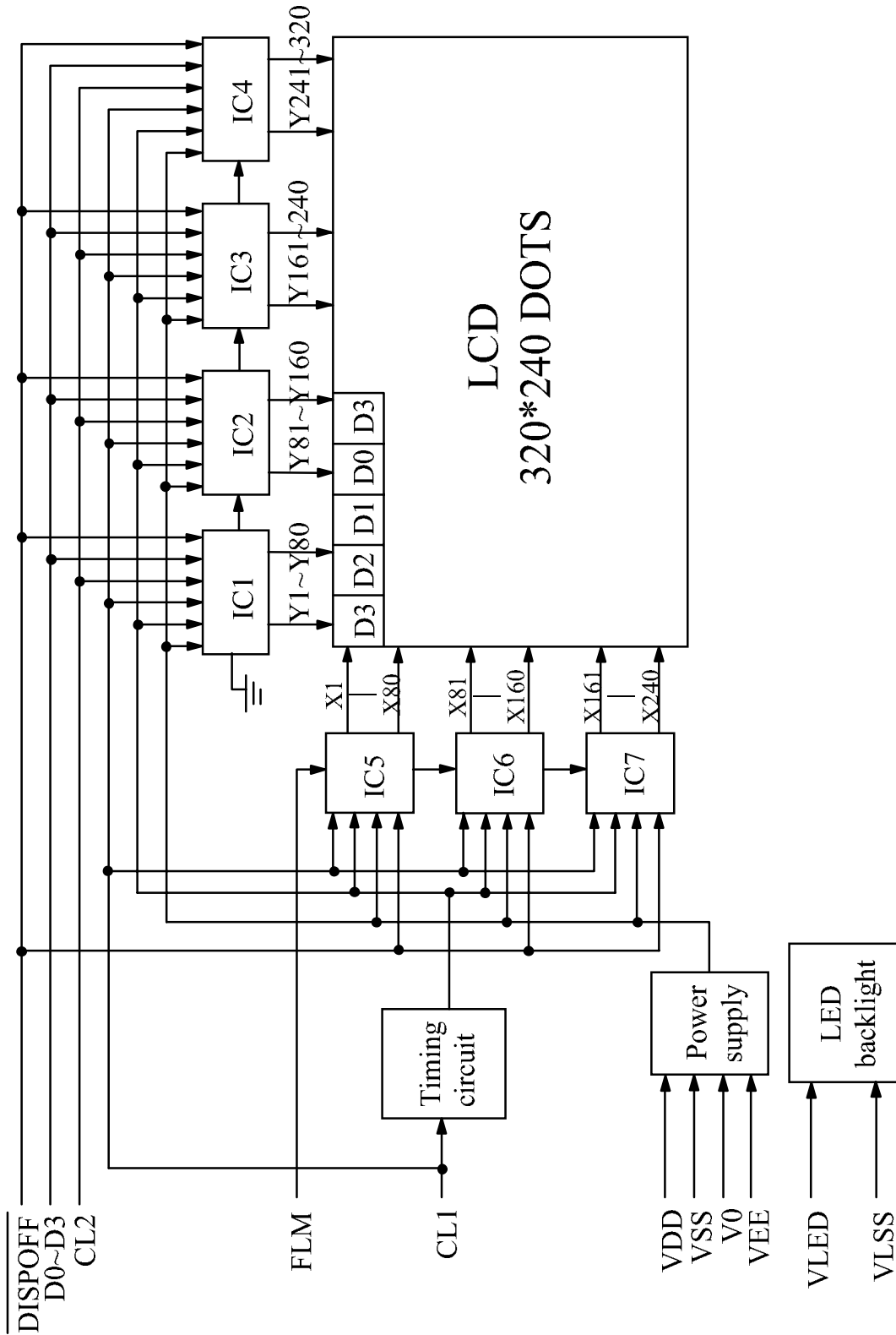
NOTE (3) : POLARIZER MODE : TRANSFLECTIVE

7. OUTLINE DIMENSION

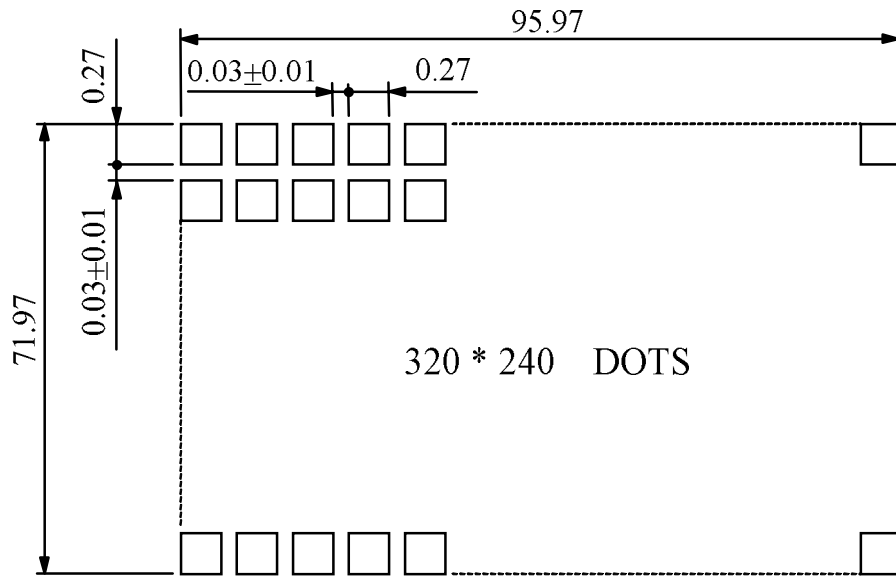


UNIT : mm  
SCALE : NTS  
NOT SPECIFIED TOLERANCE IS ±0.3

8. BLOCK DIAGRAM



9. DETAIL DRAWING OF DOT MATRIX



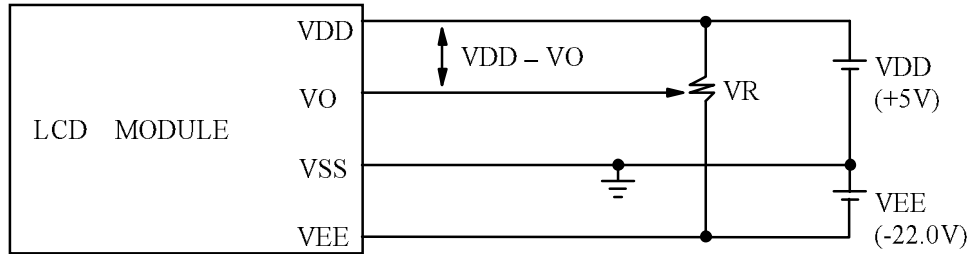
UNIT : mm  
SCALE : NTS  
NOT SPECIFIED TOLERANCE IS ±0.1

10. INTERFACE SIGNALS

PIN NO	SYMBOL	LEVEL	FUNCTION
1	FLM	H	THE FLM SIGNAL INDICATING THE BEGINNING OF EACH DISPLAY CYCLE
2	CL1	H → L	DISPLAY DATA LATCH
3	CL2	H → L	DISPLAY DATA SHIFT
4	M	H / L	CONTROL SIGNAL FOR AC DRIVING
5	VO	—	OPERATING VOLTAGE FOR LCD DRIVING
6	VDD	—	POWER SUPPLY FOR LOGIC CIRCUIT
7	VSS, VLSS	—	GROUND , POWER SUPPLY FOR LED BACKLIGHT(K)
8	VEE	—	POWER SUPPLY FOR LCD DRIVING
9	D0	H / L	DISPLAY DATA
10	D1	H / L	
11	D2	H / L	
12	D3	H / L	
13	$\overline{\text{DISPOFF}}$	H / L	H : DISPLAY ON , L : DISPLAY OFF
14	VLED	—	POWER SUPPLY FOR LED BACKLIGHT ( A )

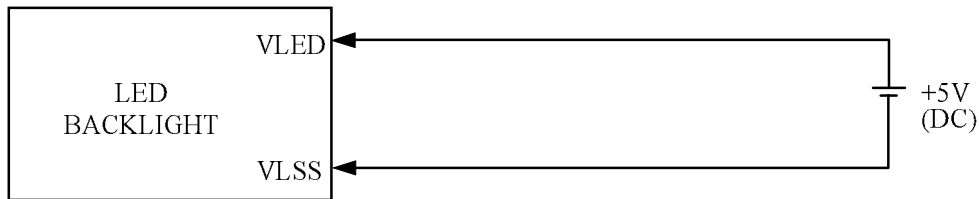
1.1. POWER SUPPLY

1.1.1 POWER SUPPLY FOR LCM



VDD - VO : LCD DRIVING VOLTAGE  
VR: 20KΩ

1.1.2 POWER SUPPLY FOR LED BACK - LIGHT



1.1.3 TIMING OF POWER SUPPLY AND INTERFACE SIGNAL

