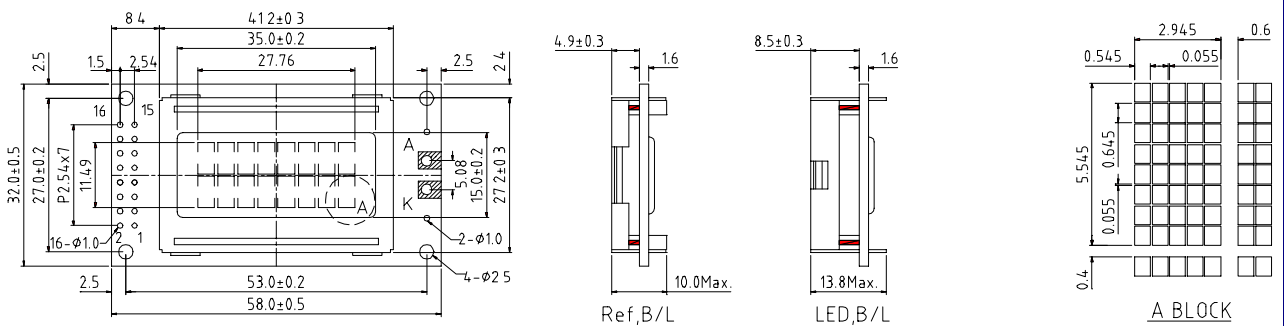


EX082001 8 characters x 2 lines

■Mechanical Data

Item	Standard Value	Unit
Module Dimensions	58.0(W) X 32.0(H) X 10.0 max. (T)	mm
Viewing Area	35.0(W) X 15.0(H)	mm
Dot Size	0.545(W) X 0.645(H)	mm
Dot Pitch	0.600(W) X 0.700(H)	mm

■External Dimensions



■Pin Assignment

No.	Symbol	Function	No.	Symbol	Function
1	V _{ss}	GND, 0V	9	DB2	Data Bus Line
2	V _{dd}	+5V	10	DB3	Data Bus Line
3	V _{ee}	For LCD Drive	11	DB4	Data Bus Line
4	RS	Function Select	12	DB5	Data Bus Line
5	R/W	Read/Write	13	DB6	Data Bus Line
6	E	Enable Signal	14	DB7	Data Bus Line
7	DB0	Data Bus Line	15	LEDA	LED Power Supply
8	DB1	Data Bus Line	16	LEDK	LED Power Supply

■Block Diagram

