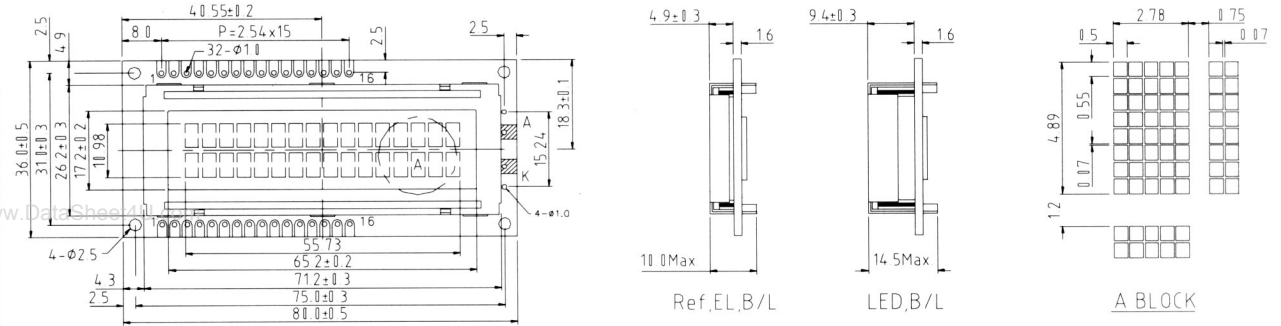


EX162001 16 characters x 2 lines

■ Mechanical Data

Item	Standard Value	Unit
Module Dimensions	80.0(W) X 36.0(H) X 10.0 (D)	mm
Viewing Area	65.2(W) X 16.1(H)	mm
Dot Size	0.55(W) X 0.50(H)	mm
Dot Pitch	0.62(W) X 0.57(H)	mm

■ External Dimensions



★ Pin Outline depends on PCB Layout

■ Pin Assignment

No.	Symbol	Function	No.	Symbol	Function
1	V _{SS}	GND,0V	9	DB2	Data Bus Line
2	V _{DD}	+5V	10	DB3	Data Bus Line
3	V _{EE}	For LCD Drive	11	DB4	Data Bus Line
4	RS	Function select	12	DB5	Data Bus Line
5	R/W	Read/Write	13	DB6	Data Bus Line
6	E	Enable signal	14	DB7	Data Bus Line
7	DB0	Data Bus line	15	LED A	LED power supply
8	DB1	Data Bus line	16	LED K	LED power supply

■ Block Diagram

