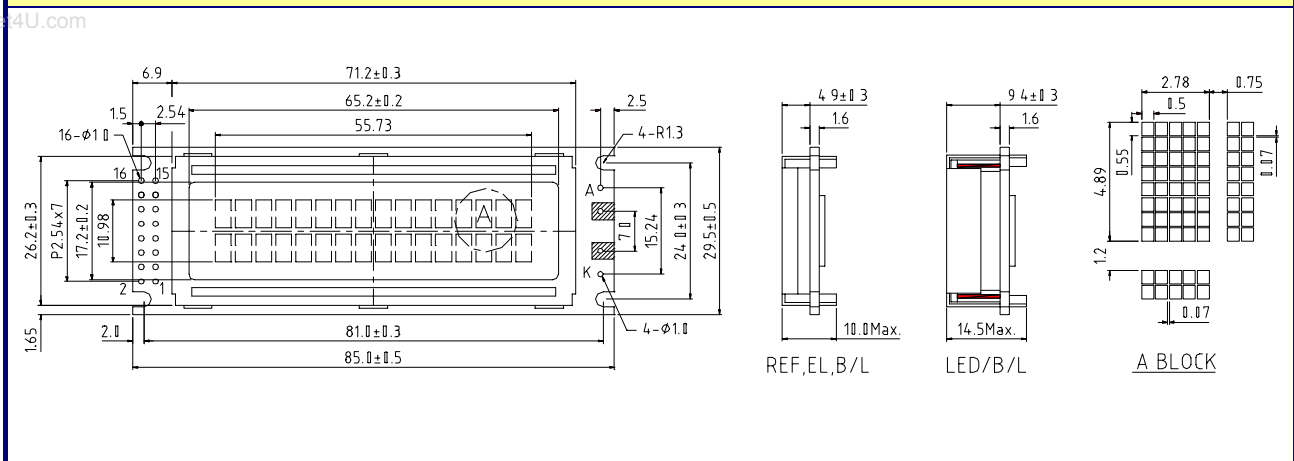


## EX162011 16 characters x 2 lines

### Mechanical Data

Item	Standard Value	Unit
Module Dimensions	85.0(W) X 29.5(H) X 10.0 (T)	mm
Viewing Area	62.5(W) X 17.2(H)	mm
Dot Size	0.50(W) X 0.55(H)	mm
Dot Pitch	0.57(W) X 0.62(H)	mm

### External Dimensions



### Pin Assignment

No.	Symbol	Function	No.	Symbol	Function
1	V <sub>DD</sub>	+5v	9	DB2	Data Bus Line
2	V <sub>SS</sub>	GND,0V	10	DB3	Data Bus Line
3	V <sub>EE</sub>	For LCD Drive	11	DB4	Data Bus Line
4	RS	Function select	12	DB5	Data Bus Line
5	R/W	Read/Write	13	DB6	Data Bus Line
6	E	Enable signal	14	DB7	Data Bus Line
7	DB0	Data Bus Line	15	LEDA	LED Power Supply
8	DB1	Data Bus Line	16	LEDK	LED Power Supply

### Block Diagram

