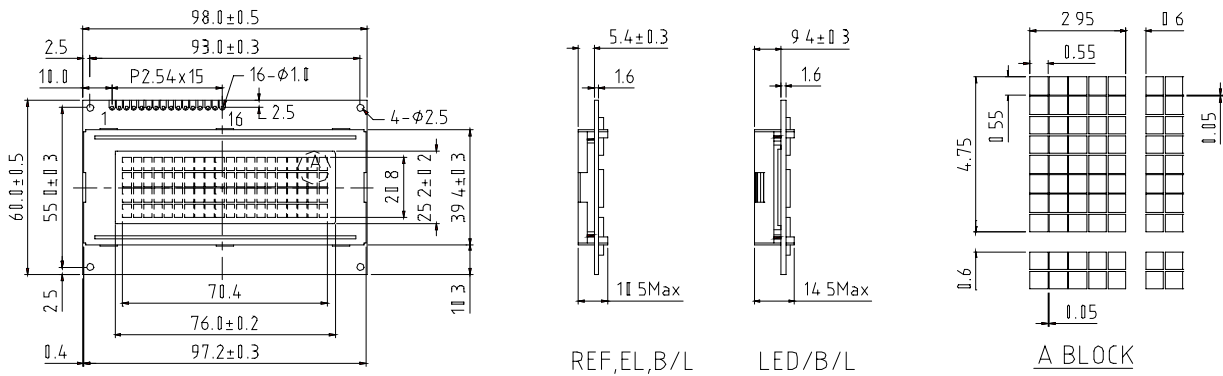


EX204001 20 characters x 4 lines

■ Mechanical Data

| Item | Standard Value | Unit |
|-------------------|------------------------------|------|
| Module Dimensions | 98.0(W) X 60.0(H) X 10.5 (T) | mm |
| Viewing Area | 76.0(W) X 25.2(H) | mm |
| Dot Size | 0.55(W) X 0.55(H) | mm |
| Dot Pitch | 0.60(W) X 0.60(H) | mm |

■ External Dimensions



■ Pin Assignment

| No. | Symbol | Function | No. | Symbol | Function |
|-----|-----------------|-----------------|-----|--------|------------------|
| 1 | V _{SS} | GND,0V | 9 | DB2 | Data Bus Line |
| 2 | V _{DD} | +5V | 10 | DB3 | Data Bus Line |
| 3 | V _{EE} | For LCD Drive | 11 | DB4 | Data Bus Line |
| 4 | RS | Function select | 12 | DB5 | Data Bus Line |
| 5 | R/W | Read/Write | 13 | DB6 | Data Bus Line |
| 6 | E | Enable signal | 14 | DB7 | Data Bus Line |
| 7 | DB0 | Data Bus Line | 15 | LED A | LED power supply |
| 8 | DB1 | Data Bus Line | 16 | LED K | LED power supply |

■ Block Diagram

