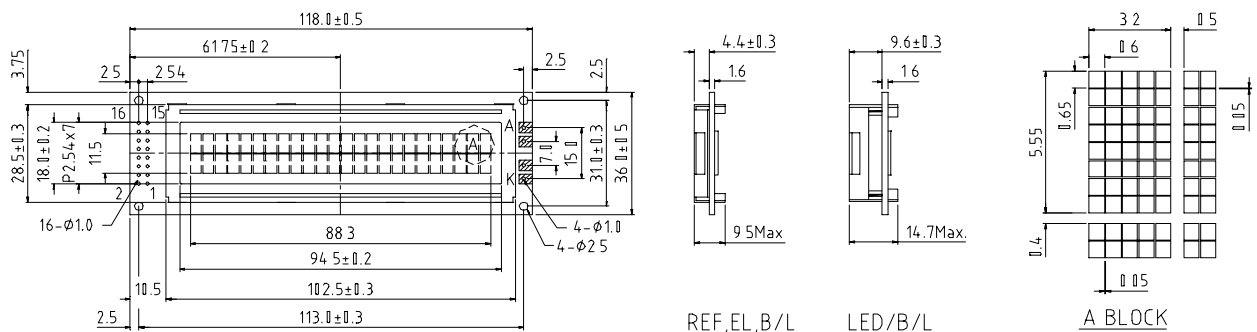


EX242001 24 characters x 2 lines

■ Mechanical Data

Item	Standard Value	Unit
Module Dimensions	118.0(W) X 36.0(H) X 9.5 (T)	mm
Viewing Area	94.5(W) X 18.0(H)	mm
Dot Size	0.60(W) X 0.65(H)	mm
Dot Pitch	0.65(W) X 0.70(H)	mm

■ External Dimensions



■ Pin Assignment

No.	Symbol	Function	No.	Symbol	Function
1	V _{SS}	GND,0V	9	DB2	Data Bus Line
2	V _{DD}	+5V	10	DB3	Data Bus Line
3	V _{EE}	For LCD Drive	11	DB4	Data Bus Line
4	RS	Function select	12	DB5	Data Bus Line
5	R/W	Read/Write	13	DB6	Data Bus Line
6	E	Enable signal	14	DB7	Data Bus Line
7	DB0	Data Bus Line	15	LED A	LED Power Supply
8	DB1	Data Bus Line	16	LED K	LED Power Supply

■ Block Diagram

