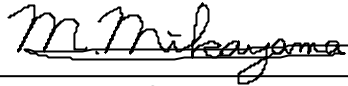


LCD Module Technical Specification


Type No. **F-51373GNC-FW-ATN**



Approved by (Quality Assurance Division)



Checked by (ACI Engineering Division)



Prepared by (ACI Engineering Division)

Table of Contents

- 1. General Specifications 2
- 2. Electrical Specifications 3
- 3. Optical Specifications 9
- 4. I/O Terminal 11
- 5. Test 13
- 6. Appearance Standards 14
- 7. Code System of Production Lot 17
- 8. Type Number 17
- 9. Applying Precautions 17
- 10. Precautions Relating Product Handling 18
- 11. Warranty 19

Revision History

Rev.	Date	Page	Comment

1.General Specifications

Operating Temp.	:	min. 0°C ~max. 50°C
Storage Temp.	:	min. -20°C ~max. 70°C
Dot Pixels	:	240 × 3 [R.G.B] (W) × 320 (H) dots
Dot Size	:	0.070 (W) × 0.225 (H) mm
Dot Pitch	:	0.24 (W) × 0.24 (H) mm
Viewing Area	:	59.0 (W) × 80.3 (H) mm
Outline Dimensions	:	73.0 (W) × 94.4* (H) × 7.3max. (D) mm * Without CFL Cable
Weight	:	62.8g max.
LCD Type	:	CTD-21398 (F-STN / Color-mode / Transmissive)
Viewing Angle	:	6:00
Data Transfer	:	8-bit parallel data transfer
Backlight	:	Cold Cathode Fluorescent Lamp (CFL) × 1
Drawings	:	Dimensional Outline UE-310580D
RoHS regulation	:	To our best knowledge, this product satisfies material requirement of RoHS regulation. Our company is doing the best efforts to obtain the equivalent certificate from our suppliers.

2. Electrical Specifications

2.1. Absolute Maximum Ratings

V_{SS}=0V

Parameter	Symbol	Conditions	Min.	Max.	Units
Supply Voltage (Logic)	V _{CC} -V _{SS}	-	-0.3	7.0	V
Supply Voltage (LCD Drive)	V _{LCD} -V _{SS}	-	-0.3	30.0	V
Input Voltage	V _I	-	-0.3	V _{CC} +0.3	V

2.2. DC Characteristics

T_a=25°C, V_{SS}=0V

Parameter	Symbol	Conditions	Min.	Typ.	Max.	Units
Supply Voltage (Logic)	V _{CC} -V _{SS}	-	2.7	-	5.5	V
Supply Voltage (LCD Drive)	V _{LCD} -V _{SS}	Shown in 3.1				V
High Level Input Voltage	V _{IH}	V _{CC} =2.7~5.5V	0.8×V _{CC}	-	-	V
High Level output Voltage	V _{OH}	I _{OH} =-0.4mA	V _{CC} -0.4	-	-	V
Low Level Input Voltage	V _{IL}	V _{CC} =2.7~5.5V	0	-	0.2×V _{CC}	V
Low Level output Voltage	V _{OL}	I _{OH} =0.4mA	-	-	0.4	V
Supply Current	I _{CC}	V _{CC} -V _{SS} =4.1V	-	0.4	0.6	mA
	I _{LCD}	V _{LCD} -V _{SS} =23.6V	-	3.7	5.5	mA

2.3.AC Characteristics

V_{CC}=4.5~5.5V

Parameter	Symbol	Min.	Max.	Units
Shift Clock Period	t _{WCK}	50	-	ns
Shift Clock "H" Pulse Width	t _{WCKH}	15	-	ns
Shift Clock "L" Pulse Width	t _{WCKL}	15	-	ns
Data Setup Time	t _{DS}	10	-	ns
Data Hold Time	t _{DH}	12	-	ns
Latch Pulse "H" Pulse Width	t _{WLPH}	15	-	ns
Shift Clock Rise to Latch Pulse Rise Time	t _{LD}	0	-	ns
Shift Clock Fall to Latch Pulse Fall Time	t _{SL}	30	-	ns
Latch Pulse Rise to Shift Clock Rise Time	t _{LS}	25	-	ns
Latch Pulse Fall to Shift Clock Rise Time	t _{LH}	25	-	ns
Input Signal Rise,Fall Time	t _r , t _f	-	50 Note.1	ns
DISPOFF Removal Time	t _{SD}	100	-	ns
DISPOFF Enable Pulse Width	t _{WDL}	1.2	-	μs
Output Delay Time	t _{DL}	-	200 Note.2	ns

Note.1 : (t_{CK} - twckll - twckl)/2 is the maximum in case of high speed operation.

Note.2 : C_L=15pF

V_{CC}=3.0~4.5V

Parameter	Symbol	Min.	Max.	Units
Shift Clock Period	t _{WCK}	66	-	ns
Shift Clock "H" Pulse Width	t _{WCKH}	23	-	ns
Shift Clock "L" Pulse Width	t _{WCKL}	23	-	ns
Data Setup Time	t _{DS}	15	-	ns
Data Hold Time	t _{DH}	23	-	ns
Latch Pulse "H" Pulse Width	t _{WLPH}	30	-	ns
Shift Clock Rise to Latch Pulse Rise Time	t _{LD}	0	-	ns
Shift Clock Fall to Latch Pulse Fall Time	t _{SL}	50	-	ns
Latch Pulse Rise to Shift Clock Rise Time	t _{LS}	30	-	ns
Latch Pulse Fall to Shift Clock Rise Time	t _{LH}	30	-	ns
Input Signal Rise,Fall Time	t _r , t _f	-	50 Note.1	ns
DISPOFF Removal Time	t _{SD}	100	-	ns
DISPOFF Enable Pulse Width	t _{WDL}	1.2	-	μs
Output Delay Time	t _{DL}	-	200 Note.2	ns

Note.1 : (t_{CK} - twckll - twckl)/2 is the maximum in case of high speed operation.

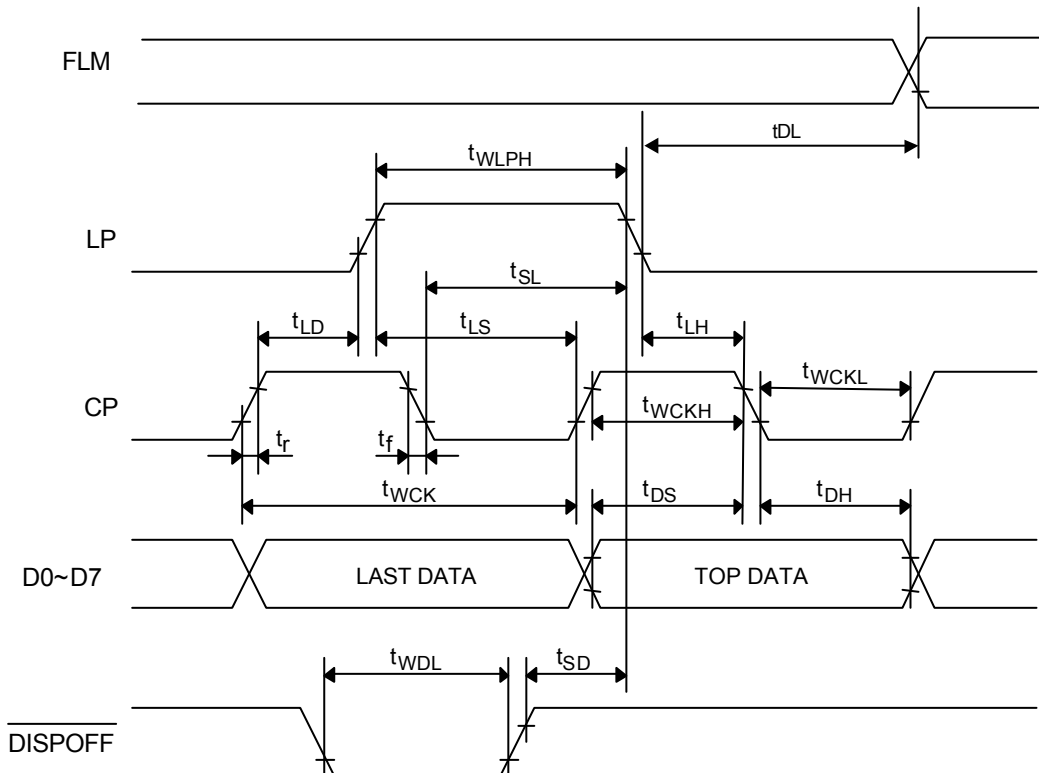
Note.2 : C_L=15Pf

V_{CC}=2.7~3.0V

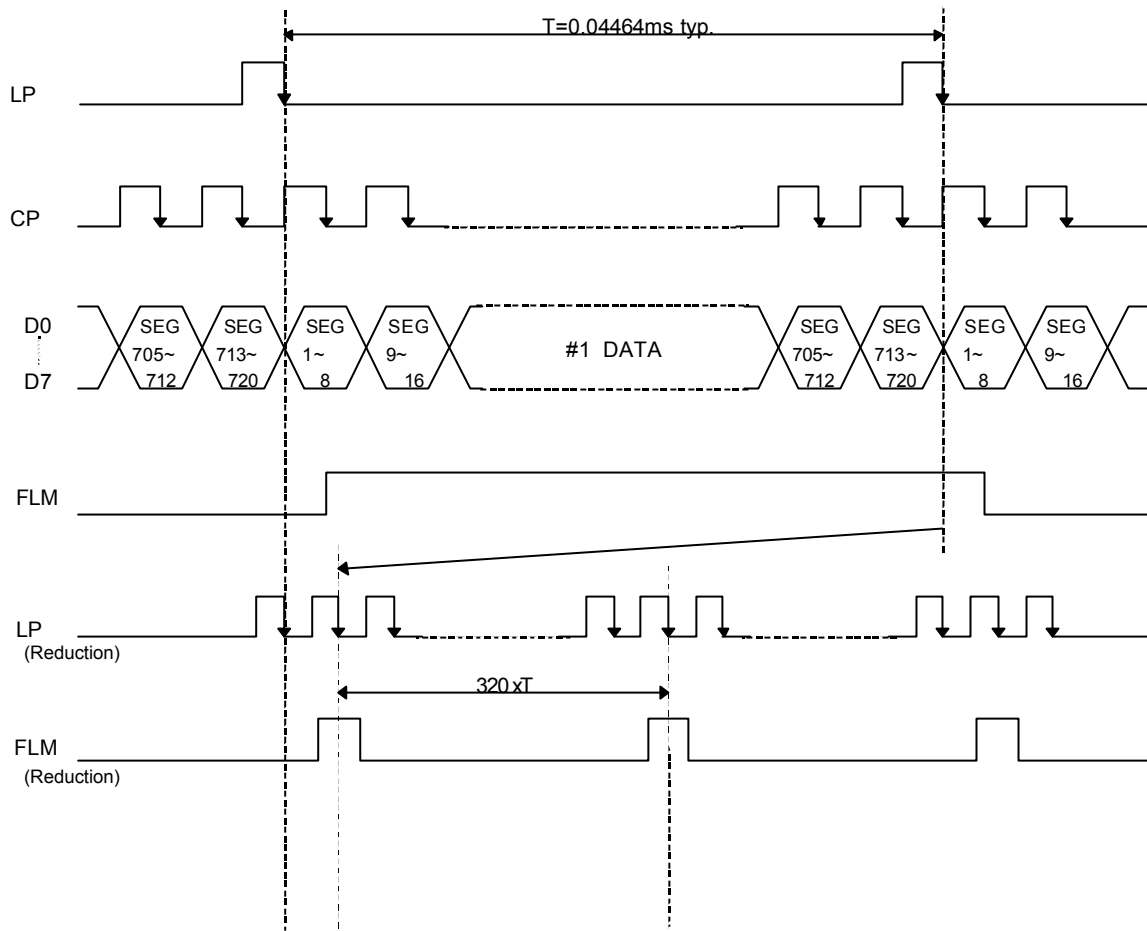
Parameter	Symbol	Min.	Max.	Units
Shift Clock Period	t_{WCK}	82	-	ns
Shift Clock "H" Pulse Width	t_{WCKH}	28	-	ns
Shift Clock "L" Pulse Width	t_{WCKL}	28	-	ns
Data Setup Time	t_{DS}	20	-	ns
Data Hold Time	t_{DH}	23	-	ns
Latch Pulse "H" Pulse Width	t_{WLPH}	30	-	ns
Shift Clock Rise to Latch Pulse Rise Time	t_{LD}	0	-	ns
Shift Clock Fall to Latch Pulse Fall Time	t_{SL}	65	-	ns
Latch Pulse Rise to Shift Clock Rise Time	t_{LS}	30	-	ns
Latch Pulse Fall to Shift Clock Rise Time	t_{LH}	30	-	ns
Input Signal Rise, Fall Time	t_r, t_f	-	50 Note.1	ns
$\overline{\text{DISPOFF}}$ Removal Time	t_{SD}	100	-	ns
$\overline{\text{DISPOFF}}$ Enable Pulse Width	t_{WDL}	1.2	-	μs
Output Delay Time	t_{DL}	-	200 Note.2	ns

Note.1 : $(t_{CK} - t_{wckl} - t_{wckh})/2$ is the maximum in case of high speed operation.

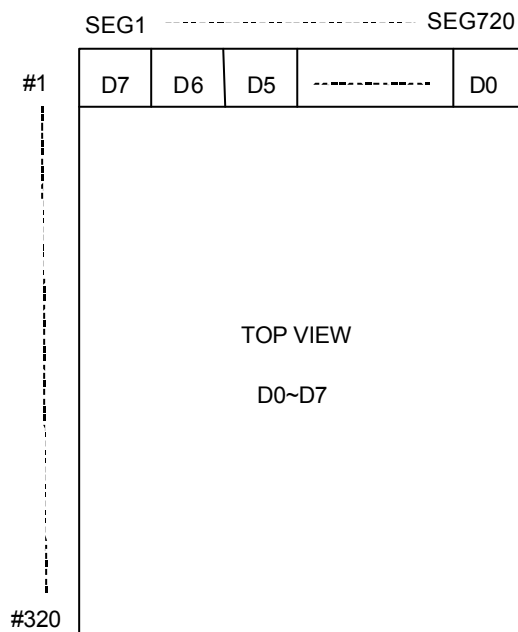
Note.2 : $C_L=15\text{pF}$



2.4. Timing Chart

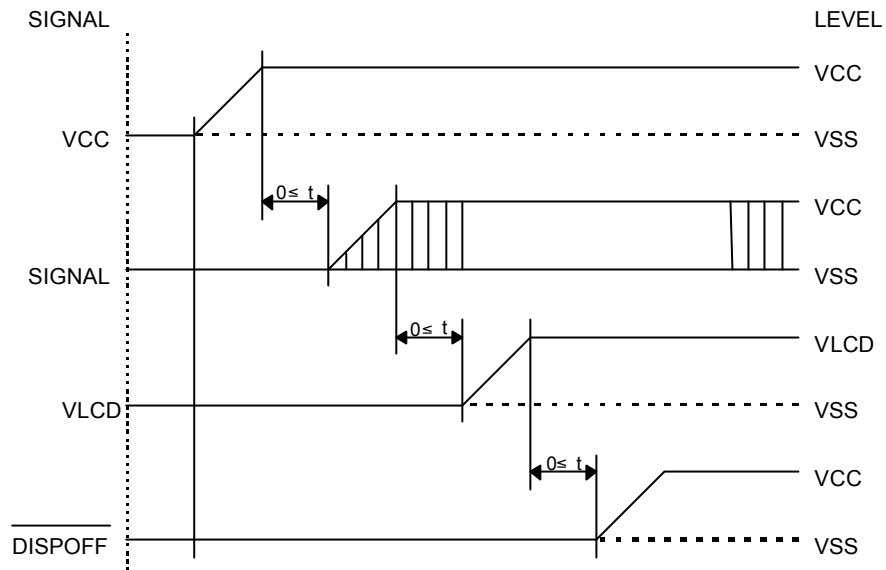


2.5. Comparison of Display and Data

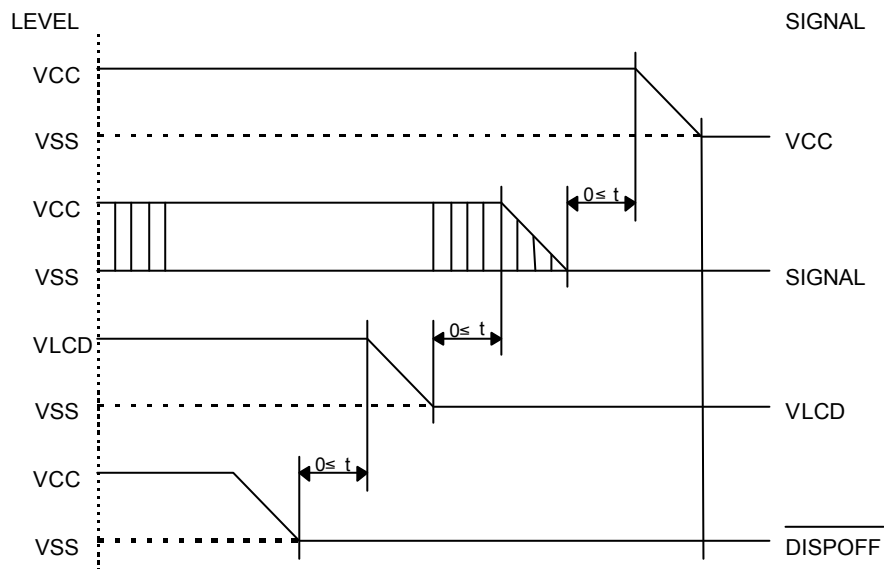


2.6. Power Supply ON/OFF Sequence

2.6.1. ON Sequence



2.6.2. OFF Sequence



Please maintain the above sequence when turning on and off the power supply of the module.

If $\overline{\text{DISPOFF}}$ is supplied to the module while internal alternate signal for LCD driving (M) is unstable, DC component will be supplied to the LCD panel. This may cause damage the LCD module.

2.7. Lighting Specifications

Ta=25°C

Parameter	Symbol	Conditions	Min.	Typ.	Max.	Units	Notes
Lamp Voltage	V _L	-	-	280	-	V _{rms}	1
Lamp Current	I _L	-	2.0	3.0	4.0	mA _{rms}	2
Starting Voltage	V _S	-	-	-	500	V _{rms}	3
Surface Luminance	L	I _L =3.0mA	-	2000	-	cd/m ²	4
Average Life	T _{AL}	I _L =3.0mA	-	50,000	-	hrs	5

Parameter	Symbol	Conditions	Min.	Typ.	Max.	Units	Notes
Luminance of Module	L	I _L =3.0mA	70	90	-	cd/m ²	4

Note 1 :The voltage (r.m.s.) to maintain the electric discharge of the lamp. It is measured after lighting for 3 minutes .

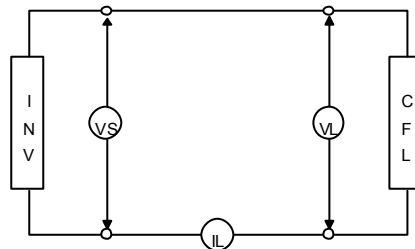
Note 2 :The current (r.m.s.) to flow through the lamp with the electric discharge. It is measured after lighting for 3 minutes.

Note 3 :The voltage at starting the electric discharge when the voltage is increased gradually from 0V.

Note 4 :Surface Luminance is specified by the initial data of luminance measured at the center of display surface after 20 minutes power on. (All ON pattern)

Note 5 : CFL Life is defined as time period that the actual luminance becomes 50% or lower of its initial value.

The Average life time of CFL is defined as the time when half or more of the testing CFLs have become less bright than 50% of the initial brightness at continuous operation.



CFL Testina Circuit

3. Optical Specifications

3.1. LCD Driving Voltage

Parameter	Symbol	Conditions	Min.	Typ.	Max.	Units
Recommended LCD Driving Voltage Note 1	$V_{LCD-VSS}$	Ta= 0°C	-	-	26.1	V
		Ta=25°C	22.5	24.2	25.9	V
		Ta=50°C	21.9	-	-	V

Note 1 : Voltage (Applied actual waveform to LCD Module) for the best contrast. The range of minimum and maximum shows tolerance of the operating voltage. The specified contrast ratio and response time are not guaranteed over the entire range.

3.2. Optical Characteristics

Ta=25°C, 1/320 Duty, 1/15 Bias, $V_{OD}=24.2V$ (Note 4), $\theta= 0^\circ$, $\phi=270^\circ$

Parameter	Symbol	Conditions	Min.	Typ.	Max.	Units
Contrast Ratio Note 1	CR	$\theta= 0^\circ$, $\phi=270^\circ$	-	45	-	
Viewing Angle		Shown in 3.3				
Response Time	Rise Note 2	T_{ON}	-	400	600	ms
	Decay Note 3	T_{OFF}	-	250	380	ms

Note 1 : Contrast ratio is defined as follows. (CR = L_{ON} / L_{OFF})

L_{ON} : Luminance of the ON segments

L_{OFF} : Luminance of the OFF segments

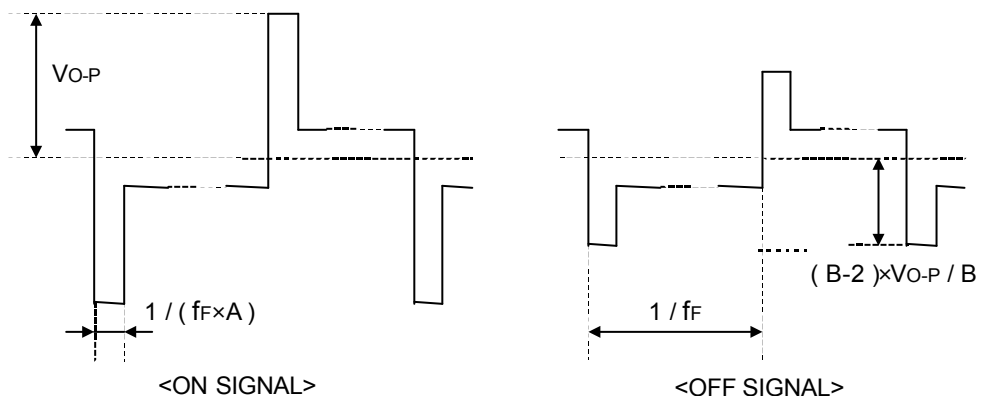
Measuring Spot : 3.0mm ϕ

Note 2 : The time that the luminance level reaches 90% of the saturation level from 0% when ON signal is applied.

Note 3 : The time that the luminance level reaches 10% of the saturation level from 100% when OFF signal is applied.

Note 4 : Definition of Driving Voltage V_{OD}

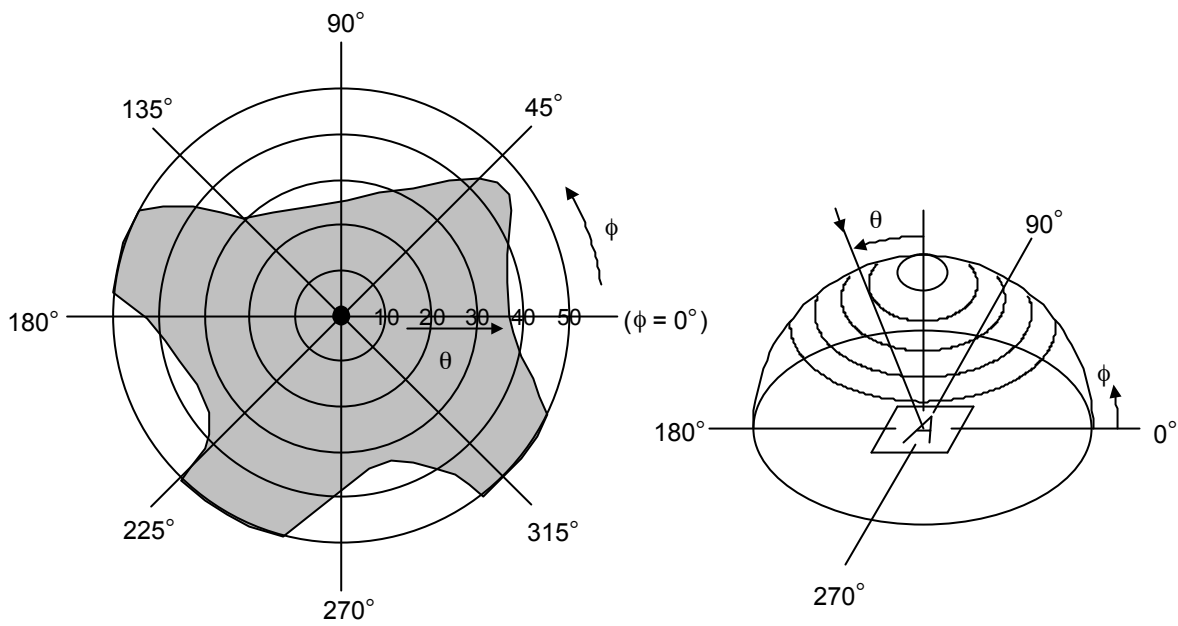
Assuming that the typical driving waveforms shown below are applied to the LCD Panel at 1/A Duty - 1/B Bias (A: Duty Number, B: Bias Number). Driving voltage V_{OD} is defined as the voltage V_{O-P} when the contrast ratio (CR= L_{ON} / L_{OFF}) is at its maximum.




3.3. Definition of Viewing Angle and Optimum Viewing Area

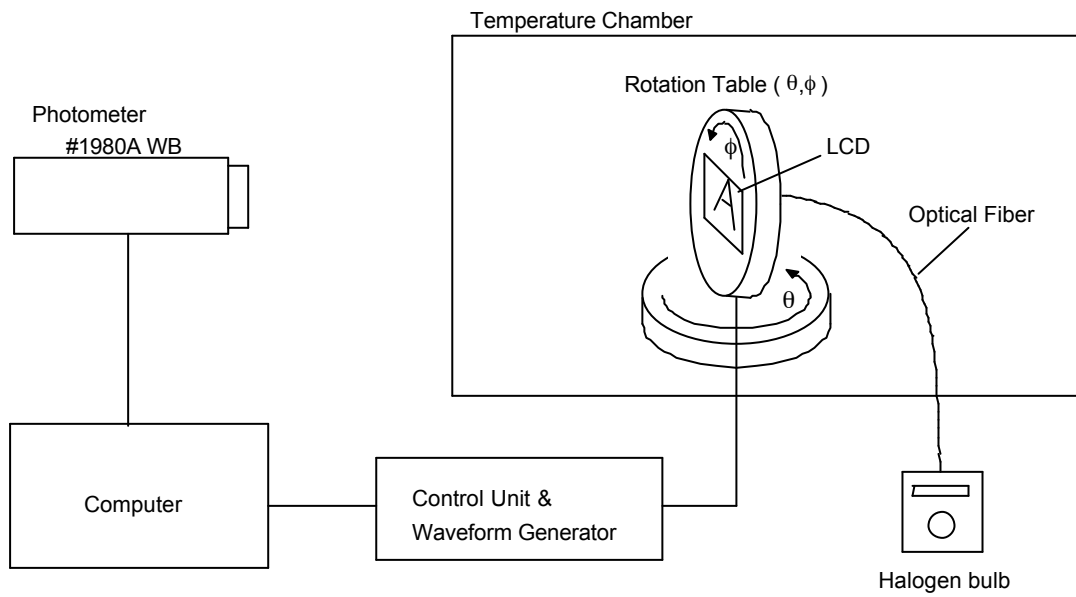
*Point • shows the point where contrast ratio is measured. : $\theta = 0^\circ$, $\phi = 270^\circ$

*Driving condition: 1/320 Duty, 1/15 Bias, $V_{OD} = 24.2V$, $f_f = 70Hz$



*Area  shows typ. $CR \geq 5$ (Measuring Spot : 3.0mm ϕ)

3.4. System Block Diagram



4.I/O Terminal

4.1.Pin Assignment

CN1

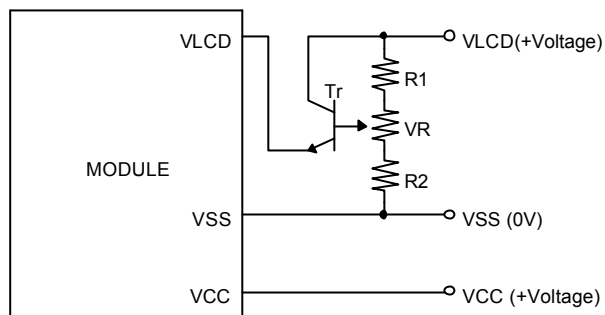
No.	Symbol	Function
1	V _{SS}	Power Supply (0V, GND)
2	V _{SS}	Power Supply (0V, GND)
3	FLM	First Line Marker
4	LP	Data Latch Signal
5	CP	Clock Signal for Shifting Data
6	$\overline{\text{DISPOFF}}$	Display Control Signal H : Display on L : Display off
7	D7	Display Data
8	D6	Display Data
9	D5	Display Data
10	D4	Display Data
11	V _{CC}	Power Supply for Logic
12	D3	Display Data
13	D2	Display Data
14	D1	Display Data
15	D0	Display Data
16	V _{SS}	Power Supply (0V, GND)
17	V _{LCD}	Power Supply for LCD Drive
18	NC	Non-connection
19	NC	Non-connection
20	NC	Non-connection
21	NC	Non-connection
22	V _{SS}	Power Supply (0V, GND)

CN2

No.	Symbol	Function
1	H.V	Power Supply for CFL (HOT)
2	NC	Non-connection
3	GND	Power Supply for CFL (GND)

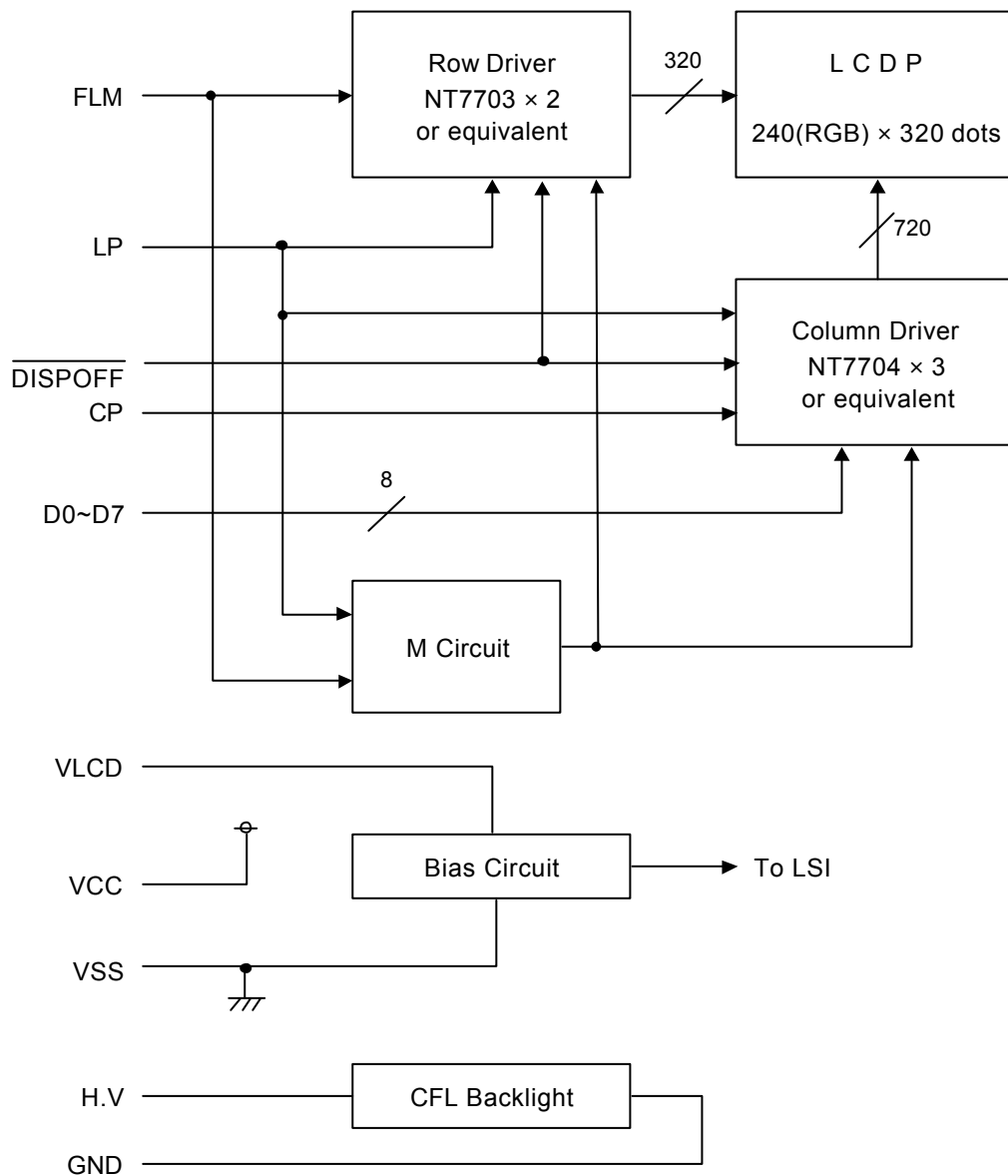
4.2. Example of Power Supply

It is recommended to apply a potentiometer for the contrast adjust due to the tolerance of the driving voltage and its temperature dependence.



$$R1+R2+VR=10\sim 20k\Omega$$

4.3. Block Diagram



5. Test

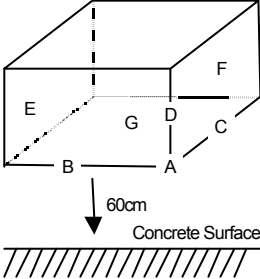
No change on display and in operation under the following test condition.

Conditions: Unless otherwise specified, tests will be conducted under the following condition.

Temperature: $20 \pm 5^\circ\text{C}$

Humidity : $65 \pm 5\% \text{RH}$

tests will be not conducted under functioning state.

No.	Parameter	Conditions	Notes
1	High Temperature Operating	$50^\circ\text{C} \pm 2^\circ\text{C}$, 96hrs (operation state)	
2	Low Temperature Operating	$0^\circ\text{C} \pm 2^\circ\text{C}$, 96hrs (operation state)	1
3	High Temperature Storage	$70^\circ\text{C} \pm 2^\circ\text{C}$, 96hrs	2
4	Low Temperature Storage	$-20^\circ\text{C} \pm 2^\circ\text{C}$, 96hrs	1,2
5	Damp Proof Test	$40^\circ\text{C} \pm 2^\circ\text{C}$, 90~95%RH, 96hrs	1,2
6	Vibration Test	Total fixed amplitude : 1.5mm Vibration Frequency : 10~55Hz One cycle 60 seconds to 3 directions of X, Y, Z for each 15 minutes	3
7	Shock Test	To be measured after dropping from 60cm high on the concrete surface in packing state. 	

Note 1 :No dew condensation to be observed.

Note 2 :The function test shall be conducted after 4 hours storage at the normal Temperature and humidity after removed from the test chamber.

Note 3 :Vibration test will be conducted to the product itself without putting it in a container.

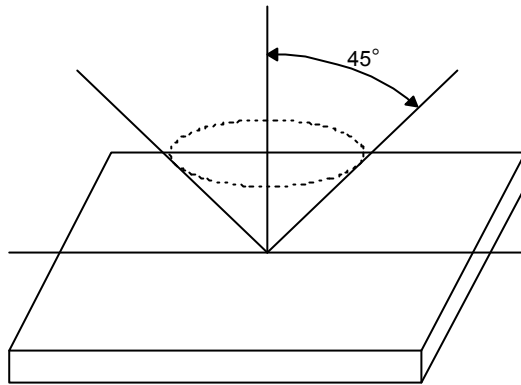
6.Appearance Standards

6.1.Inspection conditions

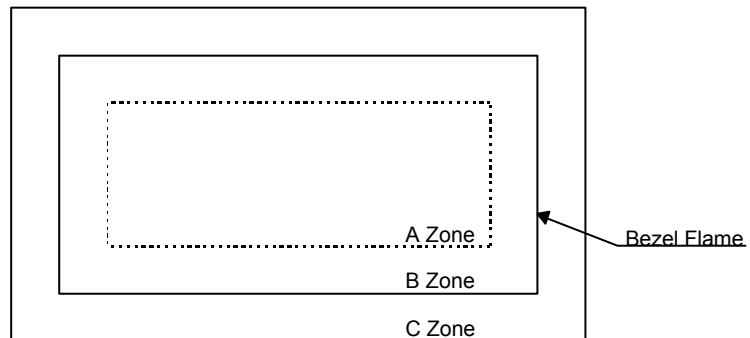
The LCD shall be inspected under 40W white fluorescent light.

The distance between the eyes and the sample shall be more than 30cm.

All directions for inspecting the sample should be within 45°against perpendicular line.



6.2.Definition of applicable Zones



A Zone : Active display area

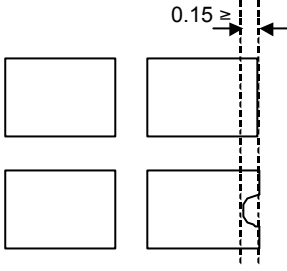
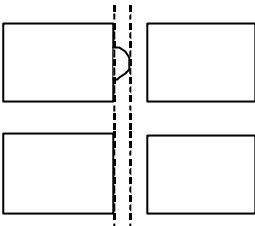
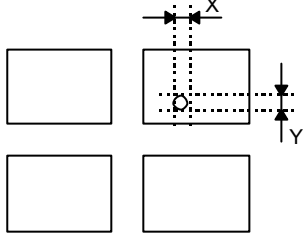
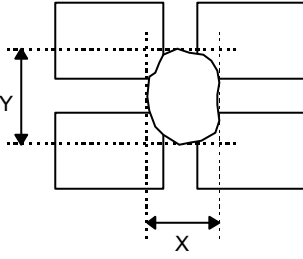
B Zone : Area from outside of "A Zone" to validity viewing area

C Zone : Rest parts

A Zone + B Zone = Validity viewing area

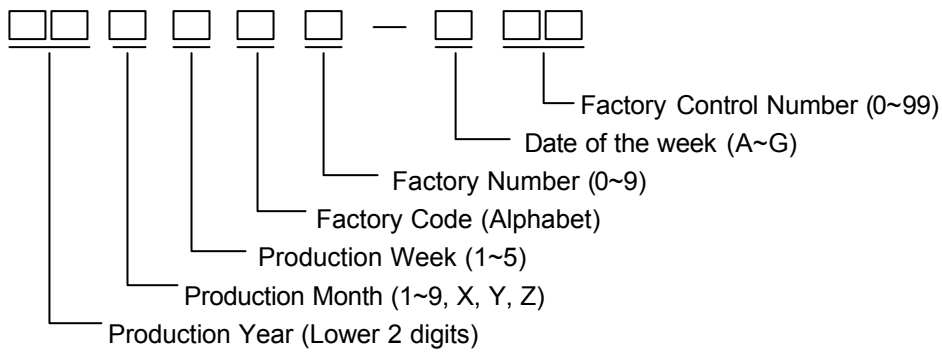
6.3. Standards

No.	Parameter	Criteria																																																										
1	Black and White Spots, Foreign Substances	<p>(1) Round Shape</p> <table border="1" data-bbox="603 320 1366 658"> <thead> <tr> <th data-bbox="603 320 906 365">Zone</th> <th colspan="3" data-bbox="906 320 1366 365">Acceptable Number</th> </tr> <tr> <th data-bbox="603 365 906 409">Dimension (mm)</th> <th data-bbox="906 365 1062 409">A</th> <th data-bbox="1062 365 1219 409">B</th> <th data-bbox="1219 365 1366 409">C</th> </tr> </thead> <tbody> <tr> <td data-bbox="603 409 906 454">$D \leq 0.1$</td> <td data-bbox="906 409 1062 454">*</td> <td data-bbox="1062 409 1219 454">*</td> <td data-bbox="1219 409 1366 454">*</td> </tr> <tr> <td data-bbox="603 454 906 499">$0.1 < D \leq 0.2$</td> <td data-bbox="906 454 1062 499">3</td> <td data-bbox="1062 454 1219 499">5</td> <td data-bbox="1219 454 1366 499">*</td> </tr> <tr> <td data-bbox="603 499 906 544">$0.2 < D \leq 0.25$</td> <td data-bbox="906 499 1062 544">2</td> <td data-bbox="1062 499 1219 544">3</td> <td data-bbox="1219 499 1366 544">*</td> </tr> <tr> <td data-bbox="603 544 906 589">$0.25 < D \leq 0.3$</td> <td data-bbox="906 544 1062 589">0</td> <td data-bbox="1062 544 1219 589">1</td> <td data-bbox="1219 544 1366 589">*</td> </tr> <tr> <td data-bbox="603 589 906 633">$0.3 < D$</td> <td data-bbox="906 589 1062 633">0</td> <td data-bbox="1062 589 1219 633">0</td> <td data-bbox="1219 589 1366 633">*</td> </tr> </tbody> </table> <p data-bbox="603 667 1075 703">$D = (\text{Long} + \text{Short}) / 2$ * : Disregard</p> <p>(2) Line Shape</p> <table border="1" data-bbox="603 748 1366 1039"> <thead> <tr> <th colspan="2" data-bbox="603 748 906 792">Zone</th> <th colspan="3" data-bbox="906 748 1366 792">Acceptable Number</th> </tr> <tr> <th data-bbox="603 792 759 837">X (mm)</th> <th data-bbox="759 792 906 837">Y (mm)</th> <th data-bbox="906 792 1062 837">A</th> <th data-bbox="1062 792 1219 837">B</th> <th data-bbox="1219 792 1366 837">C</th> </tr> </thead> <tbody> <tr> <td data-bbox="603 837 759 882">-</td> <td data-bbox="759 837 906 882">$0.03 \geq W$</td> <td data-bbox="906 837 1062 882">*</td> <td data-bbox="1062 837 1219 882">*</td> <td data-bbox="1219 837 1366 882">*</td> </tr> <tr> <td data-bbox="603 882 759 927">$2.0 \geq L$</td> <td data-bbox="759 882 906 927">$0.05 \geq W$</td> <td data-bbox="906 882 1062 927">3</td> <td data-bbox="1062 882 1219 927">3</td> <td data-bbox="1219 882 1366 927">*</td> </tr> <tr> <td data-bbox="603 927 759 972">$1.0 \geq L$</td> <td data-bbox="759 927 906 972">$0.1 \geq W$</td> <td data-bbox="906 927 1062 972">3</td> <td data-bbox="1062 927 1219 972">3</td> <td data-bbox="1219 927 1366 972">*</td> </tr> <tr> <td data-bbox="603 972 759 1016">-</td> <td data-bbox="759 972 906 1016">$0.1 < W$</td> <td colspan="3" data-bbox="906 972 1366 1016">In the same way (1)</td> </tr> </tbody> </table> <p data-bbox="603 1048 1046 1084">X : Length Y : Width * : Disregard</p> <p data-bbox="603 1093 963 1128">Total defects shall not exceed 5.</p>	Zone	Acceptable Number			Dimension (mm)	A	B	C	$D \leq 0.1$	*	*	*	$0.1 < D \leq 0.2$	3	5	*	$0.2 < D \leq 0.25$	2	3	*	$0.25 < D \leq 0.3$	0	1	*	$0.3 < D$	0	0	*	Zone		Acceptable Number			X (mm)	Y (mm)	A	B	C	-	$0.03 \geq W$	*	*	*	$2.0 \geq L$	$0.05 \geq W$	3	3	*	$1.0 \geq L$	$0.1 \geq W$	3	3	*	-	$0.1 < W$	In the same way (1)		
Zone	Acceptable Number																																																											
Dimension (mm)	A	B	C																																																									
$D \leq 0.1$	*	*	*																																																									
$0.1 < D \leq 0.2$	3	5	*																																																									
$0.2 < D \leq 0.25$	2	3	*																																																									
$0.25 < D \leq 0.3$	0	1	*																																																									
$0.3 < D$	0	0	*																																																									
Zone		Acceptable Number																																																										
X (mm)	Y (mm)	A	B	C																																																								
-	$0.03 \geq W$	*	*	*																																																								
$2.0 \geq L$	$0.05 \geq W$	3	3	*																																																								
$1.0 \geq L$	$0.1 \geq W$	3	3	*																																																								
-	$0.1 < W$	In the same way (1)																																																										
2	Air Bubbles (between glass & polarizer)	<table border="1" data-bbox="603 1182 1366 1473"> <thead> <tr> <th data-bbox="603 1182 906 1227">Zone</th> <th colspan="3" data-bbox="906 1182 1366 1227">Acceptable Number</th> </tr> <tr> <th data-bbox="603 1227 906 1272">Dimension (mm)</th> <th data-bbox="906 1227 1062 1272">A</th> <th data-bbox="1062 1227 1219 1272">B</th> <th data-bbox="1219 1227 1366 1272">C</th> </tr> </thead> <tbody> <tr> <td data-bbox="603 1272 906 1317">$D \leq 0.3$</td> <td data-bbox="906 1272 1062 1317">*</td> <td data-bbox="1062 1272 1219 1317">*</td> <td data-bbox="1219 1272 1366 1317">*</td> </tr> <tr> <td data-bbox="603 1317 906 1361">$0.3 < D \leq 0.4$</td> <td data-bbox="906 1317 1062 1361">3</td> <td data-bbox="1062 1317 1219 1361">*</td> <td data-bbox="1219 1317 1366 1361">*</td> </tr> <tr> <td data-bbox="603 1361 906 1406">$0.4 < D \leq 0.6$</td> <td data-bbox="906 1361 1062 1406">2</td> <td data-bbox="1062 1361 1219 1406">3</td> <td data-bbox="1219 1361 1366 1406">*</td> </tr> <tr> <td data-bbox="603 1406 906 1451">$0.6 < D$</td> <td data-bbox="906 1406 1062 1451">0</td> <td data-bbox="1062 1406 1219 1451">0</td> <td data-bbox="1219 1406 1366 1451">*</td> </tr> </tbody> </table> <p data-bbox="603 1482 772 1518">* : Disregard</p> <p data-bbox="603 1527 963 1563">Total defects shall not exceed 3.</p>	Zone	Acceptable Number			Dimension (mm)	A	B	C	$D \leq 0.3$	*	*	*	$0.3 < D \leq 0.4$	3	*	*	$0.4 < D \leq 0.6$	2	3	*	$0.6 < D$	0	0	*																																		
Zone	Acceptable Number																																																											
Dimension (mm)	A	B	C																																																									
$D \leq 0.3$	*	*	*																																																									
$0.3 < D \leq 0.4$	3	*	*																																																									
$0.4 < D \leq 0.6$	2	3	*																																																									
$0.6 < D$	0	0	*																																																									

No.	Parameter	Criteria
3	The Shape of Dot	<p>(1) Dot Shape (with Dent)</p>  <p>As per the sketch of left hand.</p> <p>(2) Dot Shape (with Projection)</p>  <p>Should not be connected to next dot.</p> <p>(3) Pin Hole</p>  <p>$(X+Y) / 2 \leq 0.2\text{mm}$ (Less than 0.1mm is no counted.)</p> <p>(4) Deformation</p>  <p>$(X+Y) / 2 \leq 0.2\text{mm}$</p> <p>Total acceptable number : 1/dot, 5/cell (Defect number of (4) : 1pc.)</p>
4	Polarizer Scratches	Not to be conspicuous defects.
5	Polarizer Dirts	If the stains are removed easily from LCDP surface, the module is not defective.
6	Complex Foreign Substance Defects	Black spots, line shaped foreign substances or air bubbles between glass & polarizer should be 5pcs maximum in total.
7	Distance between Different Foreign Substance Defects	$D \leq 0.2$: 20mm or more $0.2 < D$: 40mm or more

7.Code System of Production Lot

The production lot of module is specified as follows.



8.Type Number

The type number of module is specified as follows.

F-51373GNC-FW-ATN

9.Applying Precautions

Please contact us when questions and/or new problems not specified in this Specifications arise.

10.Precautions Relating Product Handling

The Following precautions will guide you in handling our product correctly.

- 1) Liquid crystal display devices
 1. The liquid crystal display device panel used in the liquid crystal display module is made of plate glass. Avoid any strong mechanical shock. Should the glass break handle it with care.
 2. The polarizer adhering to the surface of the LCD is made of a soft material. Guard against scratching it.
- 2) Care of the liquid crystal display module against static electricity discharge.
 1. When working with the module, be sure to ground your body and any electrical equipment you may be using. We strongly recommend the use of anti static mats (made of rubber), to protect work tables against the hazards of electrical shock.
 2. Avoid the use of work clothing made of synthetic fibers. We recommend cotton clothing or other conductivity-treated fibers.
 3. Slowly and carefully remove the protective film from the LCD module, since this operation can generate static electricity.
- 3) When the LCD module alone must be stored for long periods of time:
 1. Protect the modules from high temperature and humidity.
 2. Keep the modules out of direct sunlight or direct exposure to ultraviolet rays.
 3. Protect the modules from excessive external forces.
- 4) Use the module with a power supply that is equipped with an overcurrent protector circuit,since the module is not provided with this protective feature.
- 5) Do not ingest the LCD fluid itself should it leak out of a damaged LCD module. Should hands or clothing come in contact with LCD fluid, wash immediately with soap.
- 6) Conductivity is not guaranteed for models that use metal holders where solder connections between the metal holder and the PCB are not used. Please contact us to discuss appropriate ways to assure conductivity.
- 7) For models which use CFL:
 1. High voltage of 1000V or greater is applied to the CFL cable connector area. Care should be taken not to touch connection areas to avoid burns.
 2. Protect CFL cables from rubbing against the unit and thus causing the wire jacket to become worn.
 3. The use of CFLs for extended periods of time at low temperatures will significantly shorten their service life.
- 8) For models which use touch panels:
 1. Do not stack up modules since they can be damaged by components on neighboring modules.
 2. Do not place heavy objects on top of the product. This could cause glass breakage.
- 9) For models which use COG,TAB,or COF:
 1. The mechanical strength of the product is low since the IC chip faces out unprotected from the rear. Be sure to protect the rear of the IC chip from external forces.
 2. Given the fact that the rear of the IC chip is left exposed, in order to protect the unit from electrical damage, avoid installation configurations in which the rear of the IC chip runs the risk of making any electrical contact.

10) Models which use flexible cable, heat seal, or TAB:

1. In order to maintain reliability, do not touch or hold by the connector area.
2. Avoid any bending, pulling, or other excessive force, which can result in broken connections.

11) In case of buffer material such as cushion / gasket is assembled into LCD module, it may have an adverse effect on connecting parts (LCD panel-TCP / HEAT SEAL / FPC / etc., PCB-TCP / HEAT SEAL / FPC etc., TCP-HEAT SEAL, TCP-FPC, HEAT SEAL-FPC, etc.) depending on its materials.

Please check and evaluate these materials carefully before use.

12) In case of acrylic plate is attached to front side of LCD panel, cloudiness (very small cracks) can occur on acrylic plate, being influenced by some components generated from polarizer film..

Please check and evaluate those acrylic materials carefully before use.

11. Warranty

This product has been manufactured to your company's specifications as a part for use in your company's general electronic products. It is guaranteed to perform according to delivery specifications. For any other use apart from general electronic equipment, we cannot take responsibility if the product is used in medical devices, nuclear power control equipment, aerospace equipment, fire and security systems, or any other applications in which there is a direct risk to human life and where extremely high levels of reliability are required. If the product is to be used in any of the above applications, we will need to enter into a separate product liability agreement.

1. We cannot accept responsibility for any defect, which may arise from additional manufacturing of the product (including disassembly and reassembly), after product delivery.
2. We cannot accept responsibility for any defect, which may arise after the application of strong external force to the product.
3. We cannot accept responsibility for any defect, which may arise due to the application of static electricity after the product has passed your company's acceptance inspection procedures.
4. When the product is in CFL models, CFL service life and brightness will vary according to the performance of the inverter used, leaks, etc. We cannot accept responsibility for product performance, reliability, or defect, which may arise.
5. We cannot accept responsibility for intellectual property of a third party, which may arise through the application of our product to your assembly with exception to those issues relating directly to the structure or method of manufacturing of our product.
6. Optrex will not be held responsible for any quality guarantee issue for defect products judged as Optrex-origin longer than 2 (two) years from Optrex production or 1(one) year from Optrex, Optrex America, Optrex Europe delivery which ever comes later.