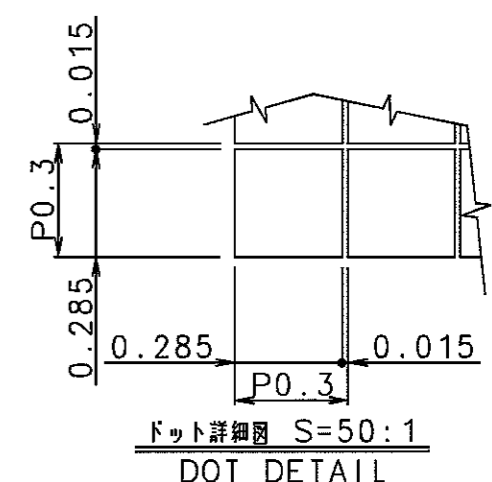
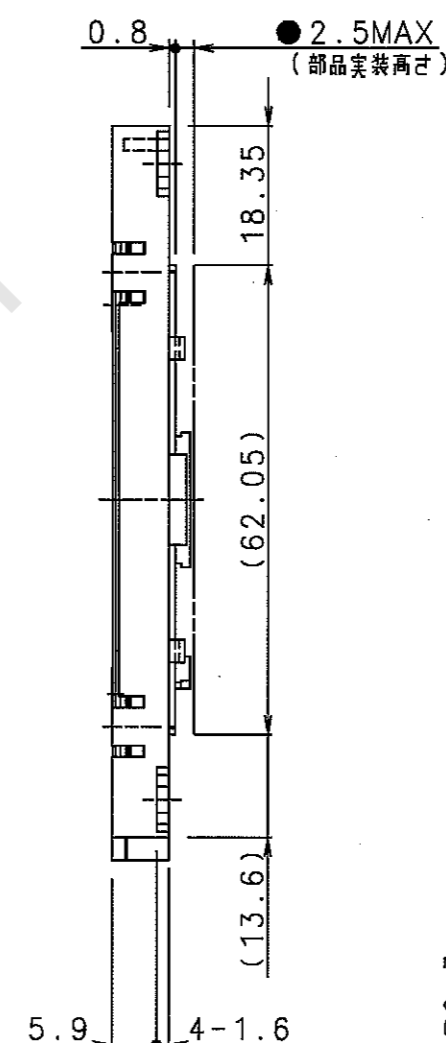
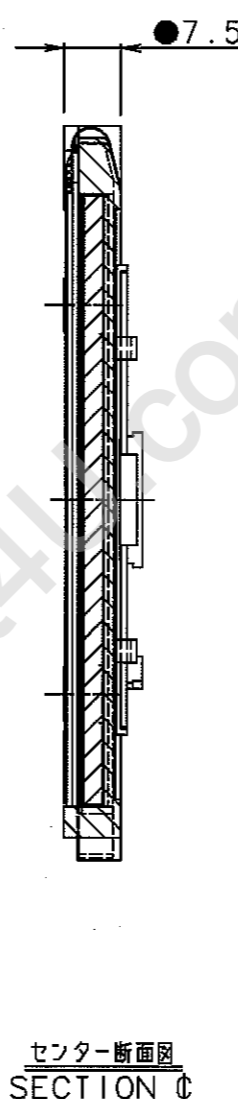
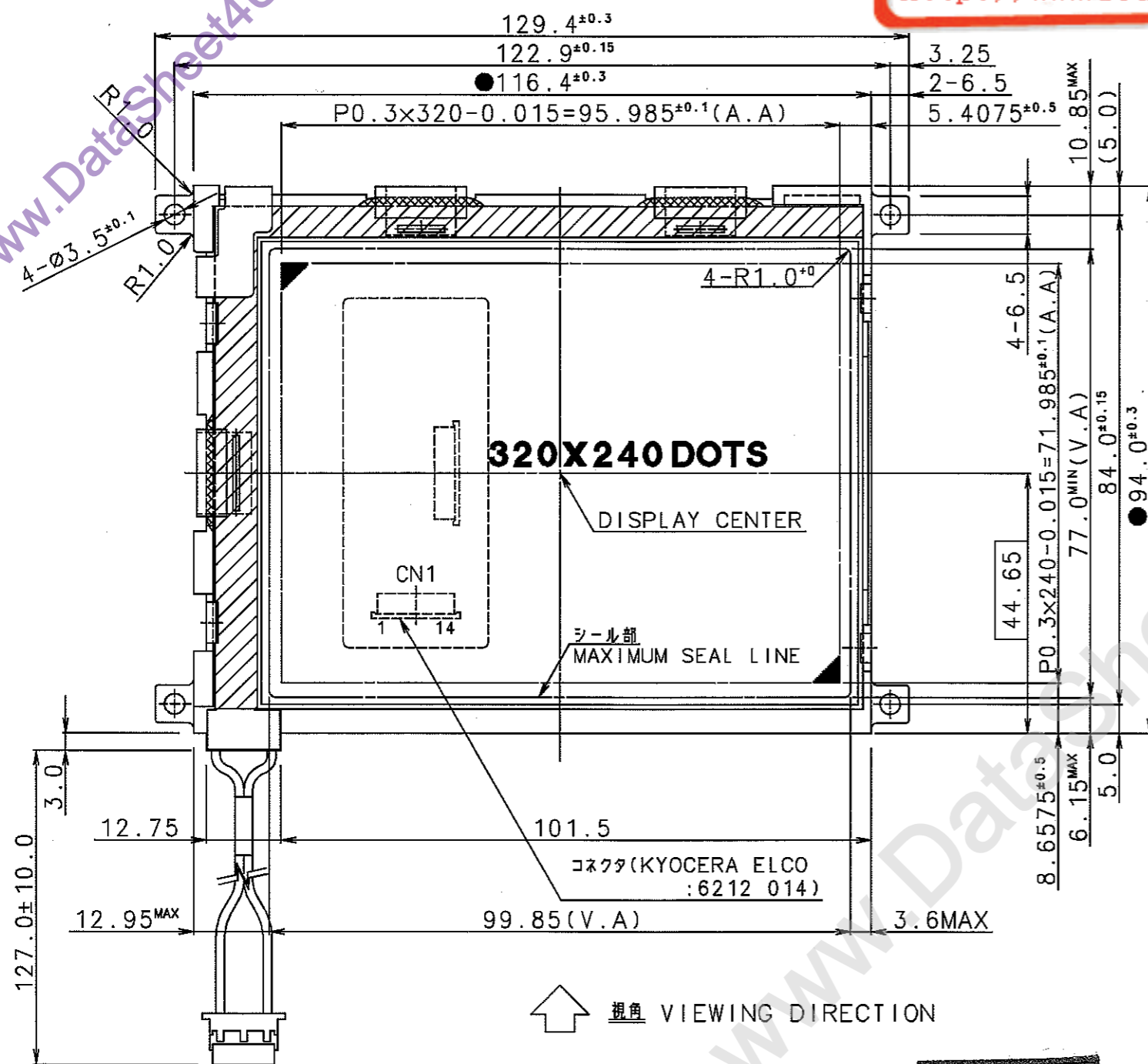


液晶之友 电话: 020-33819057  
 Http://www.lcdfriends.com

ISSUE	REVISIONS	DRAWN	APPROVED	DATE
△				



PIN ASSIGNMENT  
CN1:

No.	SYMBOL
1	VSS
2	VSS
3	FLM
4	LP
5	CP
6	DISPOFF
7	VCC
8	D3
9	D2
10	D1
11	D0
12	VHH/VCONT
13	NC
14	NC

CN2:

No.	SYMBOL
1	CFL GND
2	NC
3	CFL HOT

ISSUED  
 '03.4.16  
 OPTREX Corp.

注記

- 1) 視角: 液晶表示が最も良く見える方向
- 2) 斜線で囲まれた範囲はシリコン塗布の最大範囲とし高さは偏光板より上へ出ないものとする。
- 3) 点線で囲まれた範囲はUV硬化樹脂及びシリコンの最大塗布範囲とする。
- 4) ●印付き寸法は重要管理寸法とする。

NOTES

- 1) VIEWING DIRECTION: DIRECTION THAT YOU CAN SEE THE DISPLAY MOST CLEARLY.
- 2) THE MARK OF SHOWS THE AREA OF SILICON MAX COATING. THE SILICON SHOULD NOT BE PROTRUDE FROM THE EDGE OF LCDP AND SHOULD NOT INCREASE THE THICKNESS OF THE FRONT POLARIZER.
- 3) THE MARK OF SHOWS THE MOLD AREA OF UV RESIN & SILICON. (MAX.)
- 4) THE DIMENSIONS WITH THE MARK (●) ARE CONTROLLED AS A PARTICULAR CHARACTERISTIC.

TOLERANCE	THIRD ANGLE PROJECTION	DATE
MEASURE	A B C	APR. 14 '03
L ≤ 16	±0.1 ±0.3 ±1.0	UNIT
16 < L ≤ 63	±0.2 ±0.5 ±1.5	mm
63 < L ≤ 250	±0.3 ±0.8 ±2.0	SCALE
250 < L ≤ 500	±0.5 ±1.2 ±3.0	1:1
500 < L	±0.8 ±2.0 ±4.0	DRAWN
ANGLE	±1° ±5° ±10°	Y. Kimura

OPTREX CORPORATION  
 TITLE: DIMENSIONAL OUTLINE  
 CODE: F-51477AB SERIES  
 DRAWING No.: UE-311437

