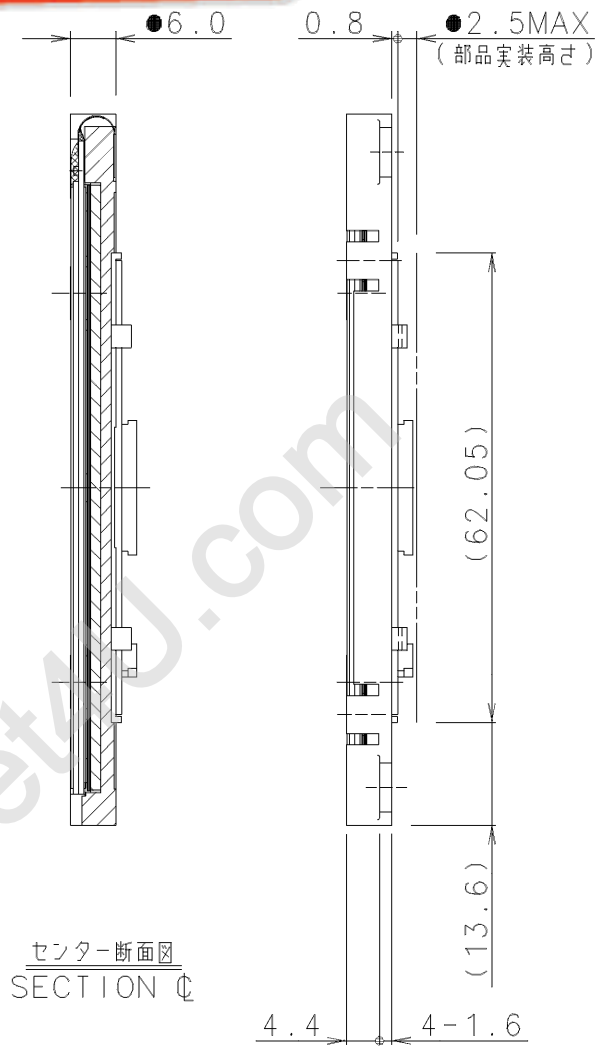
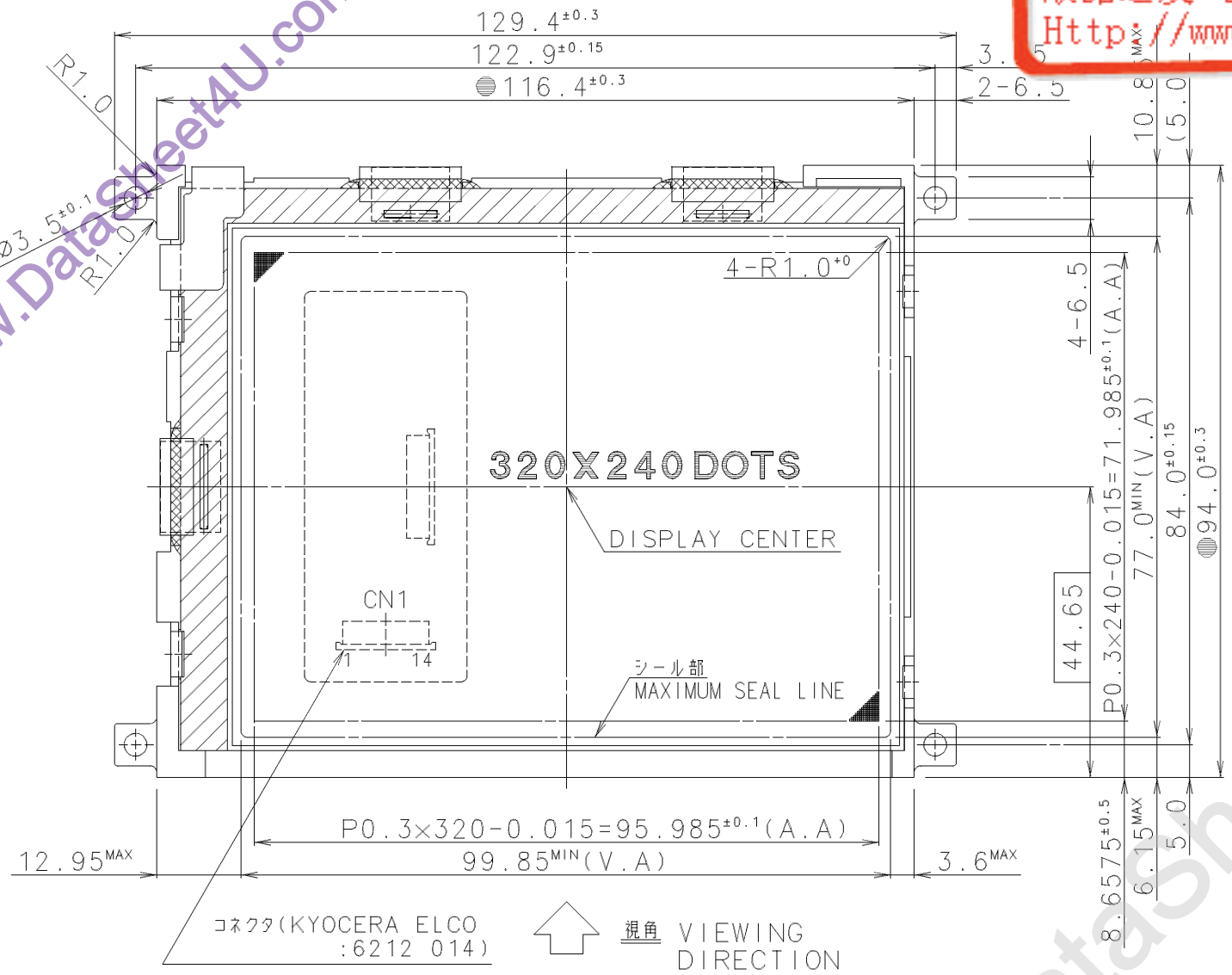


液晶之友 电话: 020-33819057
 Http://www.lcdfriends.com

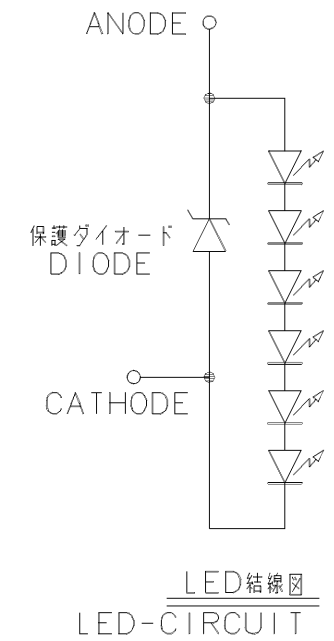
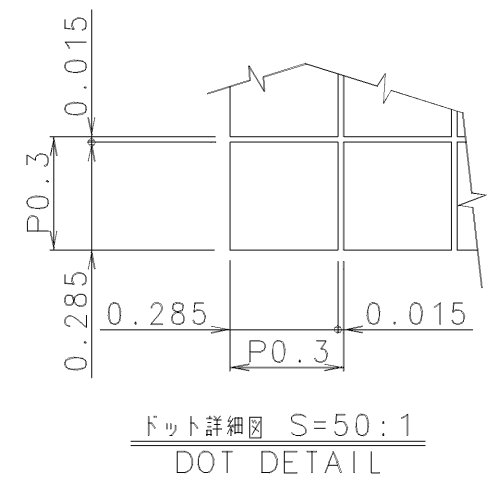
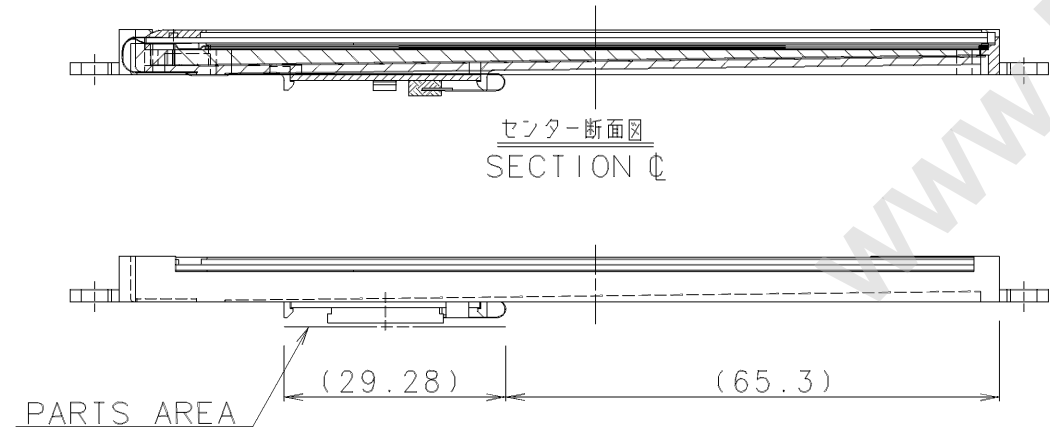
ISSUE	REVISIONS	DRAWN	APPROVED	DATE
△				

www.DataSheet4U.com



PIN ASSIGNMENT
CN1:

No.	SYMBOL
1	VSS
2	VSS
3	FLM
4	LP
5	CP
6	DISPOFF
7	VCC
8	D3
9	D2
10	D1
11	D0
12	VHH/VCONT
13	B/L
14	NC



- 注記
- 1) 視角: 液晶表示が最も良く見える方向
 - 2) 斜線で囲まれた範囲はシリコン塗布の最大範囲とし高さは偏光板より上へ出ないものとする。
 - 3) 点線で囲まれた範囲はUV硬化樹脂及びシリコンの最大塗布範囲とする。
 - 4) 印付き寸法は重要管理寸法とする。

- NOTES
- 1) VIEWING DIRECTION: DIRECTION THAT YOU CAN SEE THE DISPLAY MOST CLEARLY.
 - 2) THE MARK OF SHOWS THE AREA OF SILICON MAX COATING. THE SILICON SHOULD NOT BE PROTRUDE FROM THE EDGE OF LCDP AND SHOULD NOT INCREASE THE THICKNESS OF THE FRONT POLARIZER.
 - 3) THE MARK OF SHOWS THE MOLD AREA OF UV RESIN & SILICON. (MAX.)
 - 4) THE DIMENSIONS WITH THE MARK (●) ARE CONTROLLED AS A PARTICULAR CHARACTERISTIC.

MEASURE	TOLERANCE			THIRD ANGLE PROJECTION	DATE JUL. 7'04
	A	B	C		
L ≤ 16	±0.1	±0.3	±1	UNIT	APPROVED
16 < L ≤ 63	±0.2	±0.5	±1.5	mm	T. Suzuki
63 < L ≤ 250	±0.3	±0.8	±2	SCALE	CHECKED
250 < L ≤ 500	±0.5	±1.2	±3	1:1	N. Wada
500 < L	±0.8	±2	±4		DRAWN
ANGLE	±1°	±5°	±10°		M. Nakayama

OPTREX CORPORATION	
TITLE DIMENSIONAL OUTLINE	
CODE E51477 AG base	DWG NO UE-311442