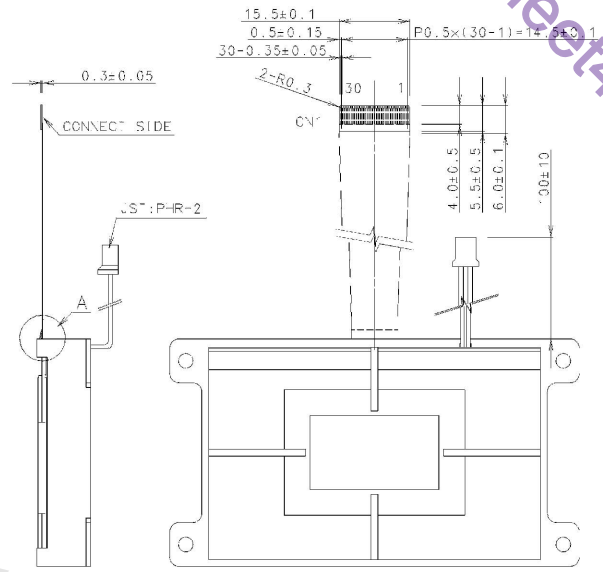
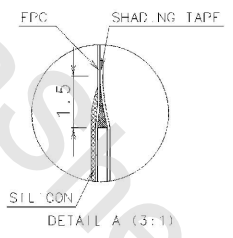
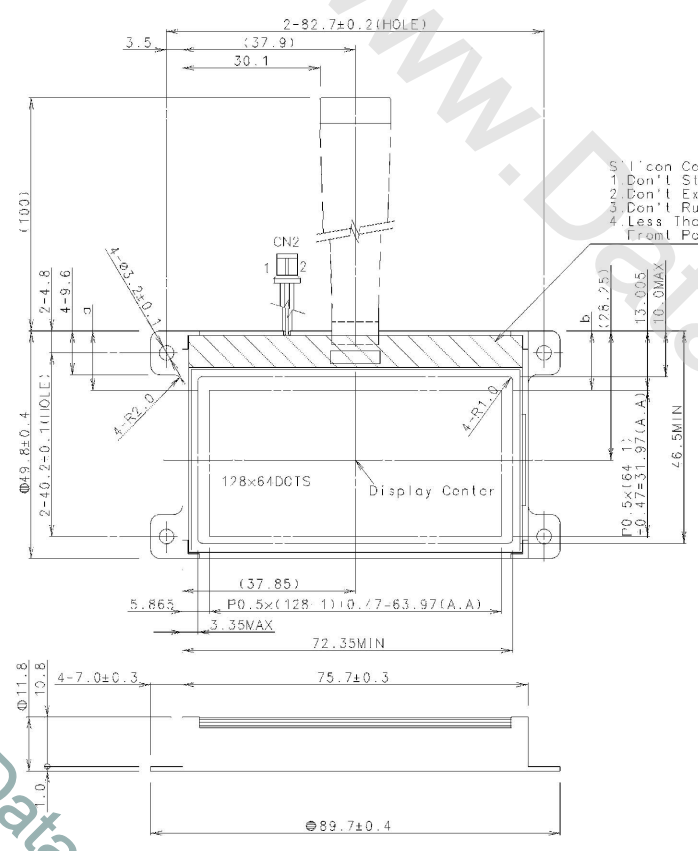
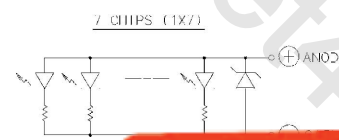


ISSUE	REVISIONS	DRAWN	APPROVED	DATE
-------	-----------	-------	----------	------



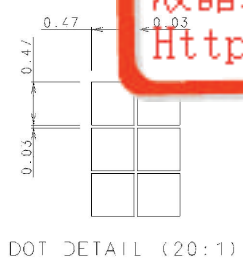
CN1 PIN ASSIGNMENT



No.	SYMBOL	No.	SYMBOL	No.	SYMBOL
1	CS-	11	D5	21	C2+
2	RES	12	D6	22	V1
3	AC	13	D7	23	V2
4	WR		VDD	24	V3
5	BD		VSS	25	V4
6	LED		VCUT	26	V5
7	D1		C3-	27	VR
8	D2		C1+	28	C8/6
9	D3		C1-	29	P/S
10	D4		C2-	30	NC

液晶之友 电话: 020-33819057  
 Http://www.lcdfriends.com

- NOTES  
 1. Display Skew |a-b| ≤ 0.5  
 2. Do not use materials which are prohibited by RoHS.  
 3. The dimensions with the mark (⊙) are controlled as a particular characteristic.



MEASURE	TOLERANCE	THIRD ANGLE PROJECTION	DATE	OPTREX CORPORATION
L≤16	±0.1	0.3	±1	MAR. 11'04
16<L≤63	±0.2	±0.5	±1.5	UNIT APPROVED
63<L≤250	±0.3	±0.8	±2	SCALE CHECKED
250<L≤500	±0.5	±1.2	±3	1:1
500<L	±0.8	±2	±4	DRAWN
ANGLE	±1°	±5°	±10°	ERASA

TITLE  
 DIMENSIONAL OUTLINE  
 CODE  
 F-51852GNFQJ-I-Y  
 DWG No  
 UE-312413-00