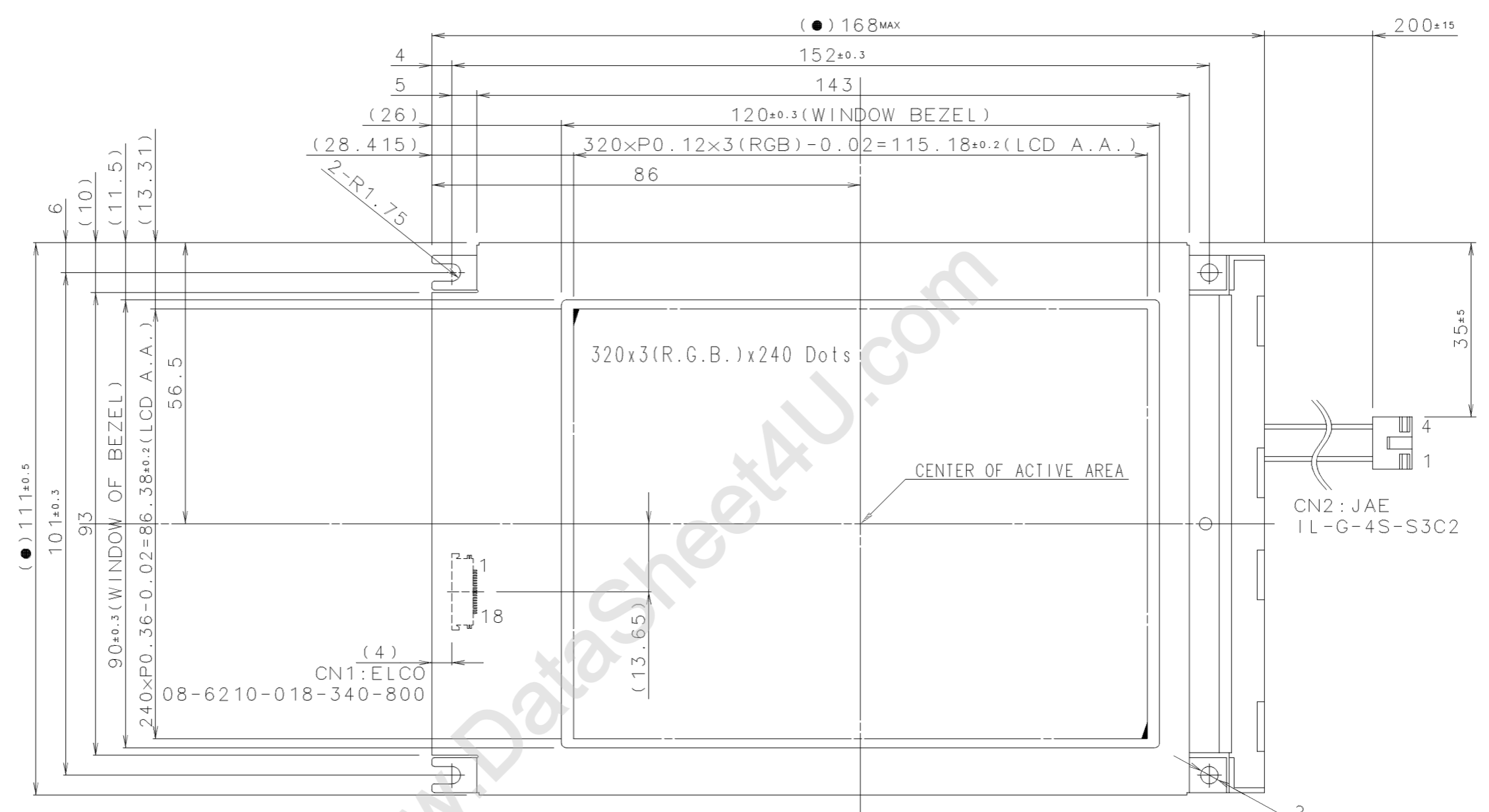
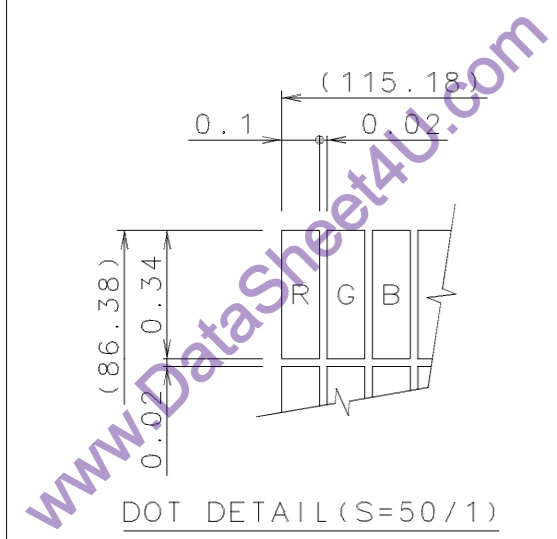


ISSUE	REVISIONS	DRAWN	APPROVED	DATE

VIEWING DIRECTION
↓



PIN ASSIGNMENT

CN1		CN2	
NO.	SYMBOL	NO.	SYMBOL
1	D0	1	VCFL
2	D1	2	NC
3	D2	3	NC
4	D3	4	VSS
5	D4		
6	D5		
7	D6		
8	D7		
9	DISP OFF		
10	FLM		
11	LP		
12	CP		
13	M		
14	VCC1		
15	VSS		
16	VSS		
17	VCC2		
18	V VADJ		

液晶之友 电话: 020-33819057
Http://www.lcdfriends.com

NOTE:
• THE DIMENSIONS WITH THE MARK(●) IS CONTROLLED AS A PARTICULAR CHARACTERISTIC.

MEASURE	TOLERANCE			THIRD ANGLE PROJECTION	DATE	OPTREX CORPORATION
	A	B	C		DRC.27'04	
L≤16	±0.1	±0.3	±1	UNIT mm	APPROVED	TITLE
16<L≤63	±0.2	±0.5	±1.5		T.Suzuki	DIMENSIONAL OUTLINE
63<L≤250	±0.3	±0.8	±2	SCALE 1:1	CHECKED	CODE
250<L≤500	±0.5	±1.2	±3		Y.Takada	F51900AB base
500<L	±0.8	±2	±4	DRAWN	DWG NO	
ANGLE	±1°	±5°	±10°	M.Nakayama	UE-312627	