



F1962

LINEAR INTEGRATED CIRCUIT

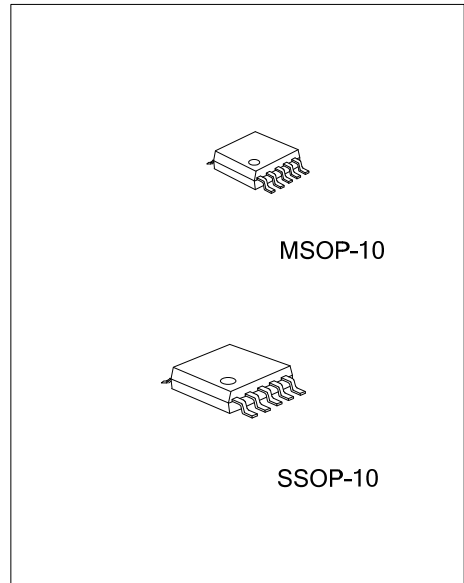
SINGLE-PHASE FULL-WAVE MOTOR DRIVER IC

DESCRIPTION

The UTC **F1962** is a Single-phase full-wave motor driver designed specially for small DC fans. For example, CPU cooling fans.

FEATURES

- * Wide Operating Voltage 5V or 12V Are Both Acceptable
- * Built-In Hall Amplifier And Hall Bias Circuit
- * Built-In Lockup And Thermal Protection With Automatic Recovery Circuits
- * Rotation Detection Output
- * Start/Stop Pin For Standby Mode Control

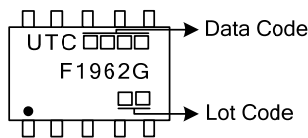


ORDERING INFORMATION

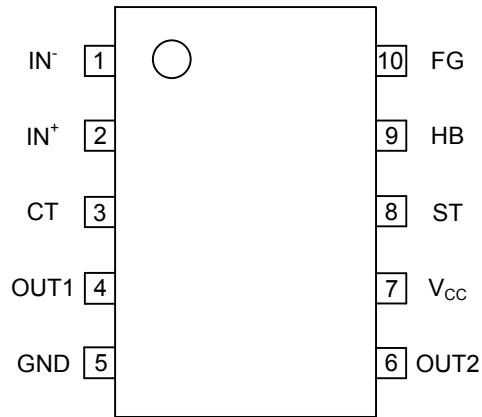
Ordering Number	Package	Packing
F1962G-SM2-T	MSOP-10	Tube
F1962G-SM2-R	MSOP-10	Tape Reel
F1962G-R10-T	SSOP-10	Tube
F1962G-R10-R	SSOP-10	Tape Reel

<p>F1962G-SM2-R</p> <p>(1)Packing Type</p> <p>(2)Package Type</p> <p>(3)Green Package</p>	<p>(1) T: Tube, R: Tape Reel</p> <p>(2) SM2: MSOP-10, R10: SSOP-10</p> <p>(3) G: Halogen Free and Lead Free</p>
---	---

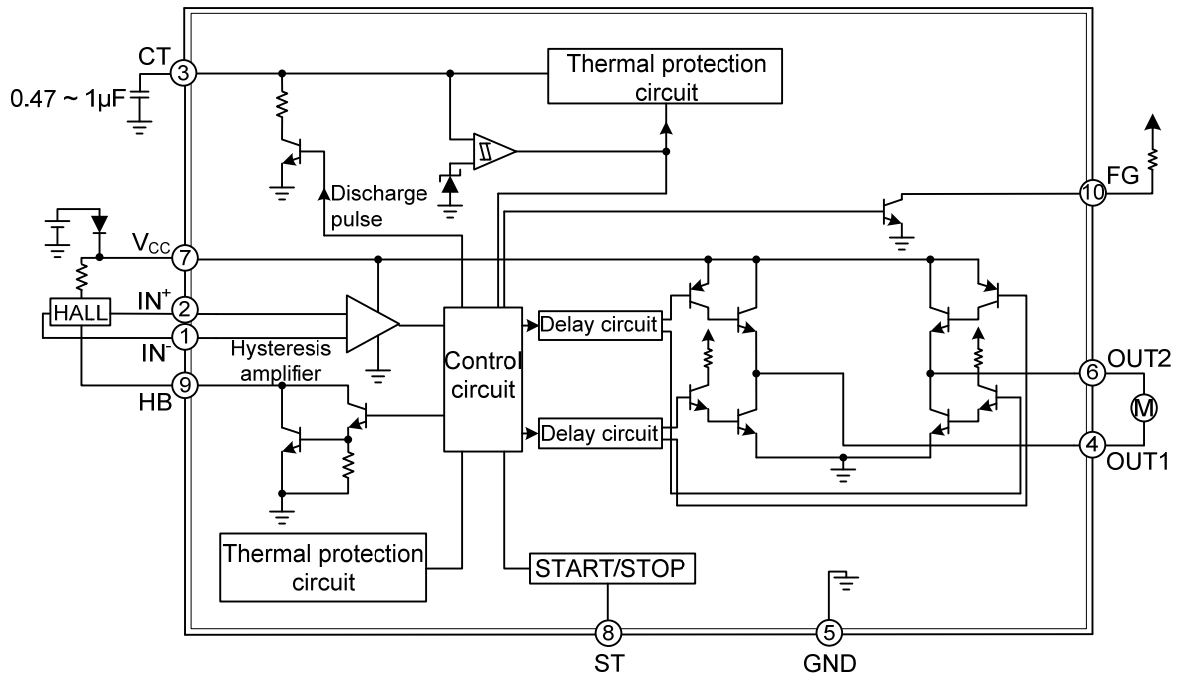
MARKING



■ PIN CONFIGURATION



■ BLOCK DIAGRAM



■ ABSOLUTE MAXIMUM RATING ($T_A = 25^\circ\text{C}$, unless otherwise specified)

PARAMETER	SYMBOL	RATINGS	UNIT	
Maximum Supply Voltage	$V_{CC}(\text{max})$	17	V	
Maximum Output Current	$I_{OUT}(\text{max})$	0.5	A	
Maximum Output Withstand Voltage	$V_{OUT}(\text{max})$	15	V	
Maximum Output Withstand Voltage	$V_F(\text{max})$	17	V	
Maximum Output Current	$I_F(\text{max})$	5	mA	
	$I_R(\text{max})$	5	mA	
HB Maximum Output Current	$I_B(\text{max})$	10	mA	
ST Maximum Input Voltage	$V_{ST}(\text{max})$	15	V	
Allowable Power Dissipation (With Specified Substrate(Note 2))	MSOP-10	P_D	410	mW
	SSOP-10		500	mW
Operating Temperature	T_{OPR}	-30 ~ +85	$^\circ\text{C}$	
Storage Temperature	T_{STG}	-40 ~ +150	$^\circ\text{C}$	

Note: 1. Absolute maximum ratings are those values beyond which the device could be permanently damaged.

Absolute maximum ratings are stress ratings only and functional device operation is not implied.

2. Specified substrate: $114.3 \times 76.2 \times 1.5 \text{mm}^3$ glass epoxy.

■ RECOMMENDED OPERATING RATINGS ($T_A = 25^\circ\text{C}$, unless otherwise specified)

PARAMETER	SYMBOL	RATINGS	UNIT
Power Supply Voltage	V_{CC}	3.8 ~ 16.8	V
ST Input High Level Voltage	ST_H	3 ~ 14	V
ST Input Low Level Voltage	ST_L	-0.3 ~ +0.4	V
Hall Input Common Mode Voltage Range	V_{ICM}	0.2 ~ $V_{CC}-1.5$	V

■ ELECTRICAL CHARACTERISTICS ($T_A=25^\circ\text{C}$, $V_{CC}=5\text{V}$, unless otherwise specified)

PARAMETER	SYMBOL	TEST CONDITIONS	MIN	TYP	MAX	UNIT
Current Drain	I_{CC}	In drive mode ($CT=[L]$, $ST=[L]$)		6.5	9.1	mA
		In lockup protection mode ($CT=[H]$, $ST=[L]$)		2.2	3.1	mA
		In standby mode ($ST=[H]$)		110	150	μA
Lockup Detection Capacitor Charge Current	I_{CT}^1		1.9	2.8	3.7	μA
Capacitor discharge current	I_{CT}^2		0.32	0.46	0.60	μA
Capacitor Charge/Discharge Current Ratio	R_{CT}	$R_{CD}=I_{CT}^1/I_{CT}^2$	5.0	6.0	7.0	
CT Charge Voltage	V_{CT}^1		2.55	2.75	2.95	V
CT Discharge Voltage	V_{CT}^2		1.6	1.8	2.0	V
Output Low Level Voltage	V_{OL}	$I_O=200\text{mA}$		0.2	0.3	V
Output High Level Voltage	V_{OH}	$I_O=200\text{mA}$	3.9	4.1		V
Hall Input Sensitivity	V_{HN}	Zero peak value (Including offset and hysteresis)		7	15	mV
Output Pin Low Voltage	V_{FG}	I_{RD} , $I_{FG}=5\text{mA}$		0.1	0.3	V
Output Pin Leakage Current	I_{FGL}	V_{RD} , $V_{FG}=15\text{V}$			30	μA
HB Output Low Voltage	V_{HBL}	$I_{HB}=5\text{mA}$		1.0	1.3	V
ST Pin Input Current	I_{ST}	$V_{ST}=5\text{V}$		75	100	μA

■ TRUTH TABLE

ST	IN ⁻	IN ⁺	CT	OUT1	OUT2	FG	HB	Mode
H				off	off	off	off	Standby
L	H	L	L	H	L	H	L	Rotating
	L	H		L	H	L		
			H	off	off		L	Lockup protection activated

■ DESIGN REFERENCE

(1) V_{CC} pin

Power supply pin for whole I_C.

(2) OUT1, OUT2 pins

Single-phase coil output pins.

Bipolar forward or reverse drive output determined by OUT1 or OUT2 high. Built-in regenerative circuit that regenerates kickback current between lower side NPN outputs if a diode is used for protection against reverse connection.

(3) IN⁻, IN⁺ pins

Hall signal input pins

The Hall signal is amplified into a square wave by the Hall amplifier with hysteresis characteristics of ±3.5 mV (typ.). The Hall signal amplitude should be 70 mV or more.

(4) CT pin

This pin serves timing capacitor connecting pin between CT and GND.

The capacitor determines timing of the built-in lockup protection circuit for preventing coil burnout when motor is locked. Once normal motor rotating condition is restored, the automatic recovery circuit will reset itself.

Adjusting the capacitance alters the lockup detection time.

When a 0.47 mF capacitor is connected between CT and GND

Lockup detection time :approx. 0.5s

Lockup protection time/automatic recovery time :approx. 0.16s (output ON)

:approx. 1s (output OFF)

Connecting this pin to ground when lockup function is not used

(6) FG pin

Open-collector output pin for rotation frequency detection.

When IN⁻ = High and IN⁺ = Low, then FG = Low

When IN⁻ = Low and IN⁺ = High, then FG = High

(7) ST pin and HB pin

ST pin: When input to this pin is High, motor drive is stopped (OUT is high impedance).

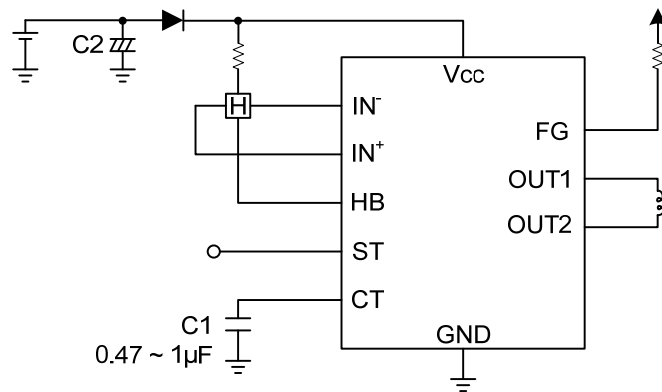
HB pin: Hall bias switching pin. At ST pin High input, Hall bias is switched to reduce current drain in fan standby mode.

If not used, both pins should be open.

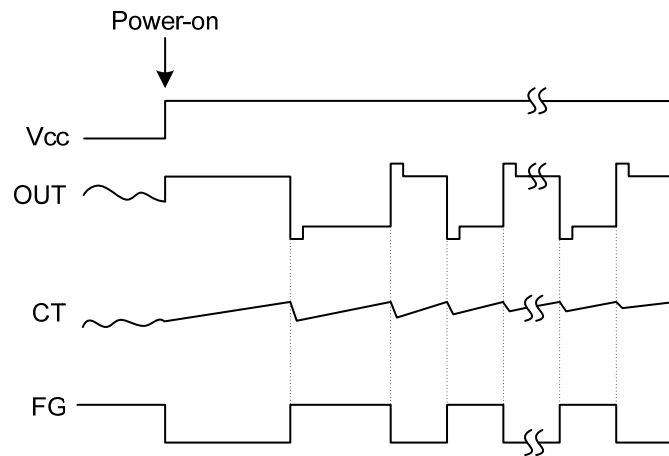
(8) Thermal protection circuit

When junction temperature T_J of IC is or over about 150°C, output current limiter is activated to protect against damage.

■ SAMPLE APPLICATION CIRCUIT

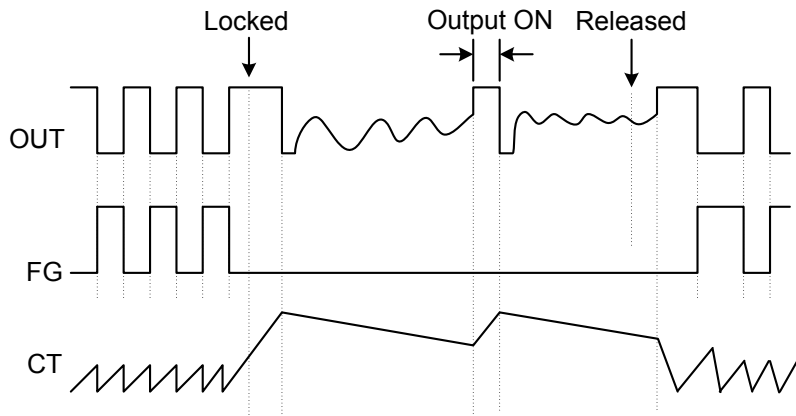


Startup

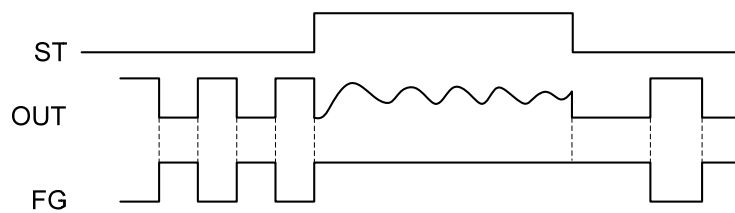


■ SAMPLE APPLICATION CIRCUIT(Cont.)

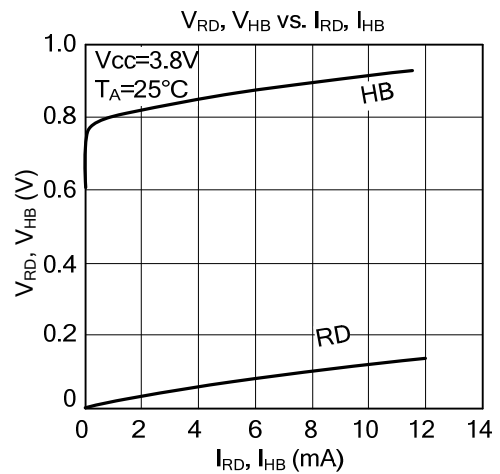
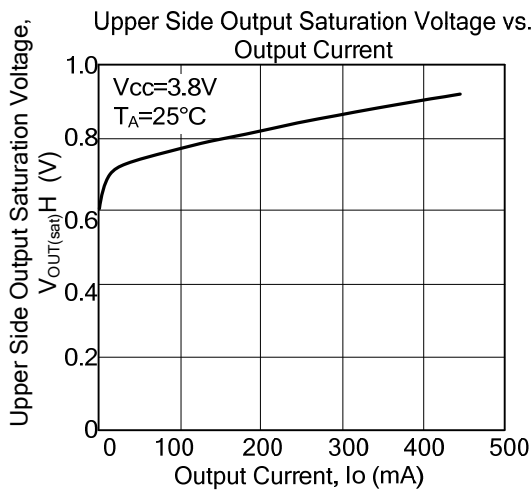
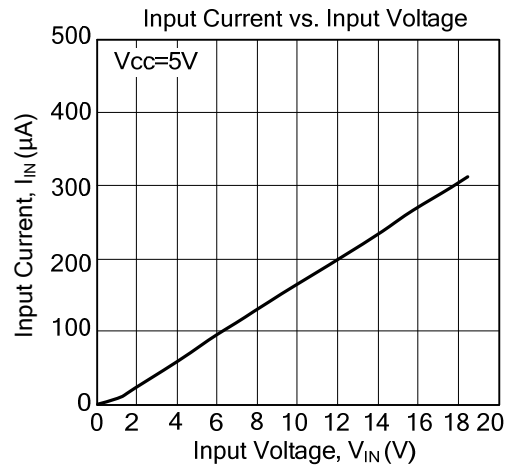
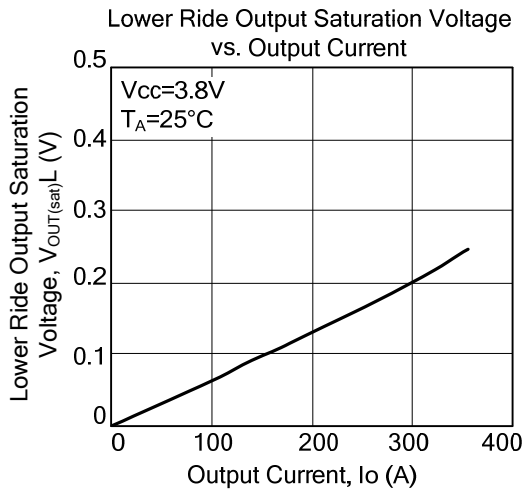
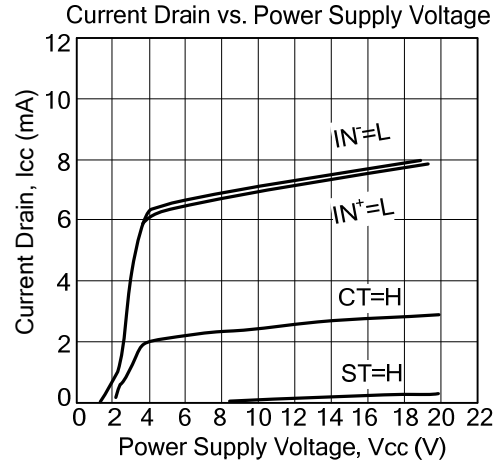
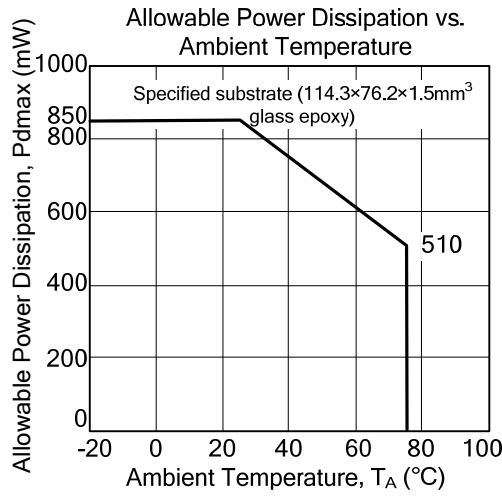
Locked-up protection and automatic recovery curves



Start or stop curve



■ TYPICAL CHARACTERISTICS



UTC assumes no responsibility for equipment failures that result from using products at values that exceed, even momentarily, rated values (such as maximum ratings, operating condition ranges, or other parameters) listed in products specifications of any and all UTC products described or contained herein. UTC products are not designed for use in life support appliances, devices or systems where malfunction of these products can be reasonably expected to result in personal injury. Reproduction in whole or in part is prohibited without the prior written consent of the copyright owner. The information presented in this document does not form part of any quotation or contract, is believed to be accurate and reliable and may be changed without notice.