

Deutz Engines F3M 2011F

(SN 0654097 and Later)

BF3M 2011F

(SN 0590544 and Later)

F4M 2011F

(SN 0529127 and Later)

BF4M 2011F

(SN 0550682 and Later)

Used In:

**SL4640, SL4840,
SL5640, SL6640
Skid-Steer Loaders**



Engine Service Parts Manual

Form No.
917108

Revision C
05/07

GEHL[®]

Introduction

This manual covers F3M 2011F engines with serial number 0654097 and later and BF3M 2011F engines with serial number 00590544 and later, and F4M 2011F engines with serial number 0529127 and BF4M 2011F engines with serial number 0550682 and later. The F3M 2011F and BF3M 2011F engines are used in SL4640 skid-steer loaders. The F4M 2011F and BF4M 2011F engines are used in SL4840, SL5640, and SL6640 skid-steer loaders. When ordering service parts, specify the correct part number, full description, quantity required, and the engine model number and serial number (located on a plate on the valve mechanical cover).

Items shown that do not have a part number are shown for reference purposes only and are not available for purchase separately.

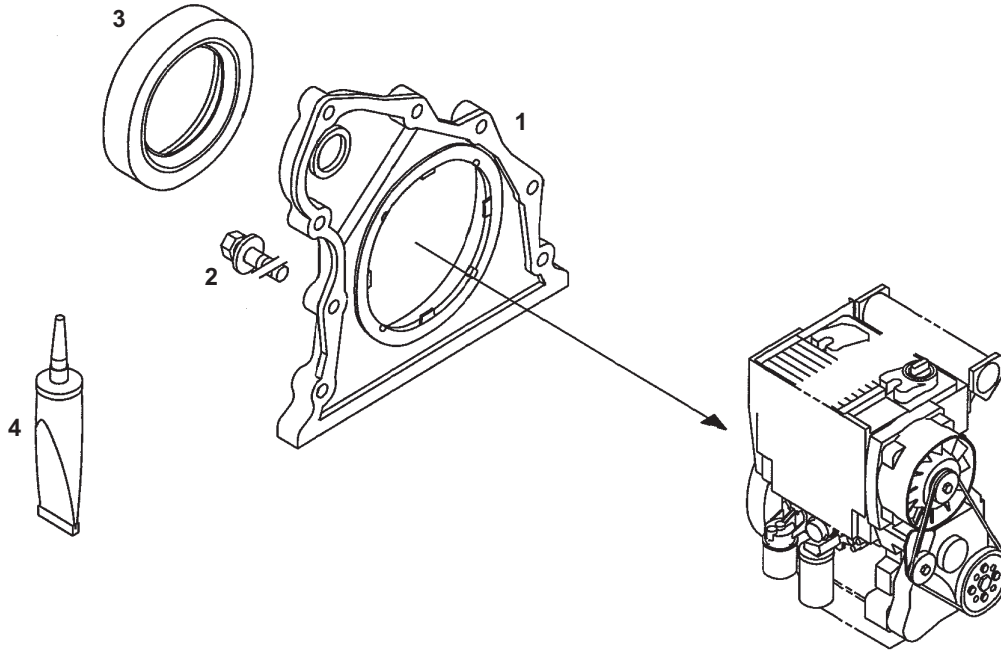
Use only genuine original equipment manufacturer service parts. All service parts should be obtained from or ordered through your Gehl® dealer.

Gehl® Company reserves the right to make changes or improvements in the design or construction of any part of the unit without incurring the obligation to install such changes on any previously delivered units.

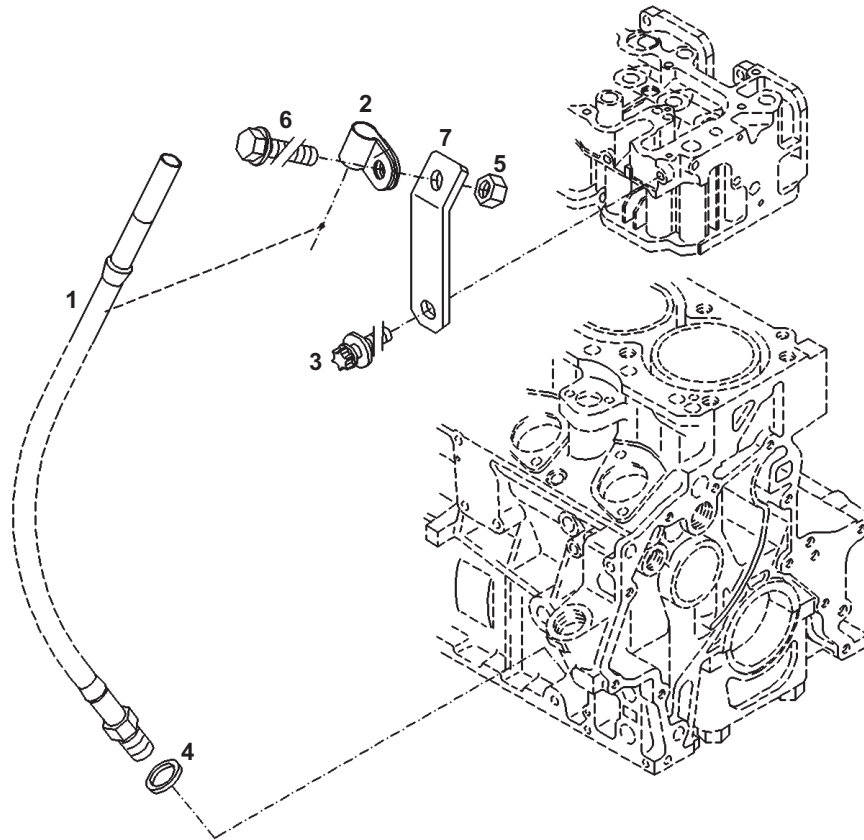
IMPORTANT: *Deutz engine service parts are driven by individual engine serial numbers. The Deutz Company does not use serial number ranges. Running changes made to Deutz engines during assembly may be unique to that engine. To help ensure that you receive the correct parts for your engine, have your engine serial number available when ordering through our Gehl Customer Service Department.*

Table of Contents

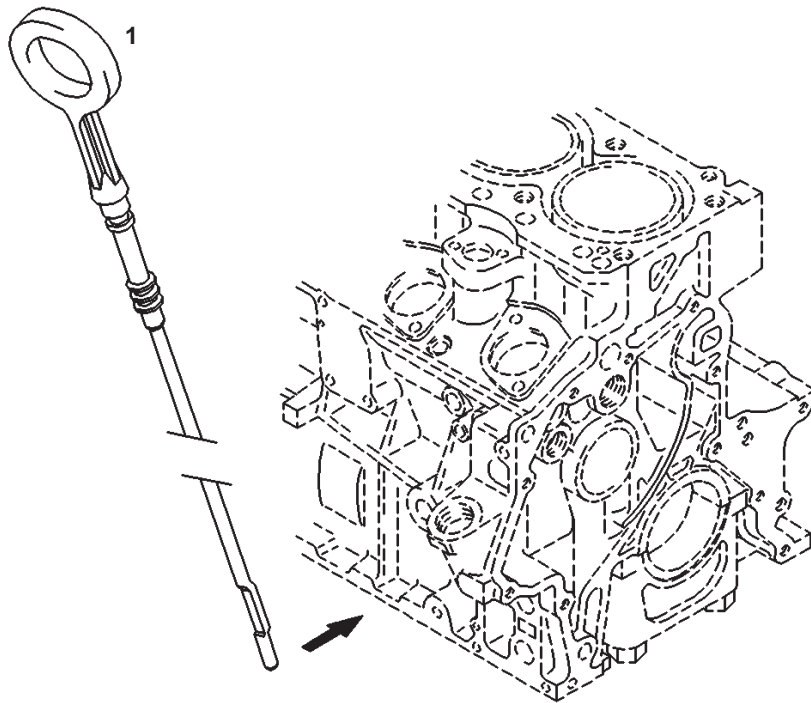
Introduction	i	BOOST CONTROL	41
REAR END COVER	1	HIGH PRESSURE PIPE	42
GUIDE TUBE	2	SUCTION PIPE FLANGE	43
DIPSTICK	3	SUCTION PIPE	44
CRANKCASE ACCESSORIES	4	AIR CLEANER	45
CRANKCASE BREATHER	5	SUCTION PIPE/AIR CLEANER ACCESSORIES	47
ENGINE BLOCK	7	CHARGE AIR ELBOW	48
OIL PAN	8	CHARGE AIR PIPE	49
CRANKSHAFT ACCESSORIES	9	TRANSFER PIPE	50
CRANKSHAFT	10	HOSE ASSEMBLY	51
POWER TAKE-OFF	11	AIR FILTER FITMENT	52
COVER PLATE	12	TURBOCHARGER	53
FLYWHEEL	13	GLOW PLUG	54
CONNECTING ROD	14	TORQUE CAPSULE	55
PISTON	15	BUFFER SPRING	56
FILLER CAP	16	FRONT COVER/GOVERNOR	57
CYLINDER HEAD FASTENINGS	17	CONTROL ROD	59
CYLINDER HEAD	18	V-BELT	60
VALVE MECHANICAL COVER	19	AIR COMPRESSOR	61
CAMSHAFT DRIVE	20	FAN SUPPORT	62
CAMSHAFT	21	ADAPTER HOUSING	63
PROTECTION HOOD & FASTENINGS	22	STARTER	64
ROCKER ARM BRACKET	23	ENGINE MOUNTING	65
VALVE DRIVE	24	ALTERNATOR	66
LUBRICATION OIL PUMP	25	ALTERNATOR BRACKET	67
OIL FILTER & FASTENINGS	26	ALTERNATOR FASTENINGS	68
PILOT LINE	27	COOLING AIR BAFFLE	69
LUBRICATION OIL LINE	28	CONTROL UNIT	70
OIL SUCTION LINE	29	OIL PRESSURE SWITCH	71
OIL RETURN LINE	30	TEMPERATURE TRANSMITTER	72
HEATER CONNECTION	31	EXHAUST MANIFOLD	73
RADIATOR CONNECTION	32	COMPANION FLANGE	74
SCREW PLUG	33	SHUTDOWN DEVICE	76
FUEL INJECTION PUMP	34	GASKET SET	78
FUEL INJECTOR	36	PRESSURE RELIEF VALVE	79
FUEL SUPPLY PUMP	37	CONNECTING PLATE	80
FUEL LINE	38	INDEX	81
FUEL FILTER	40		



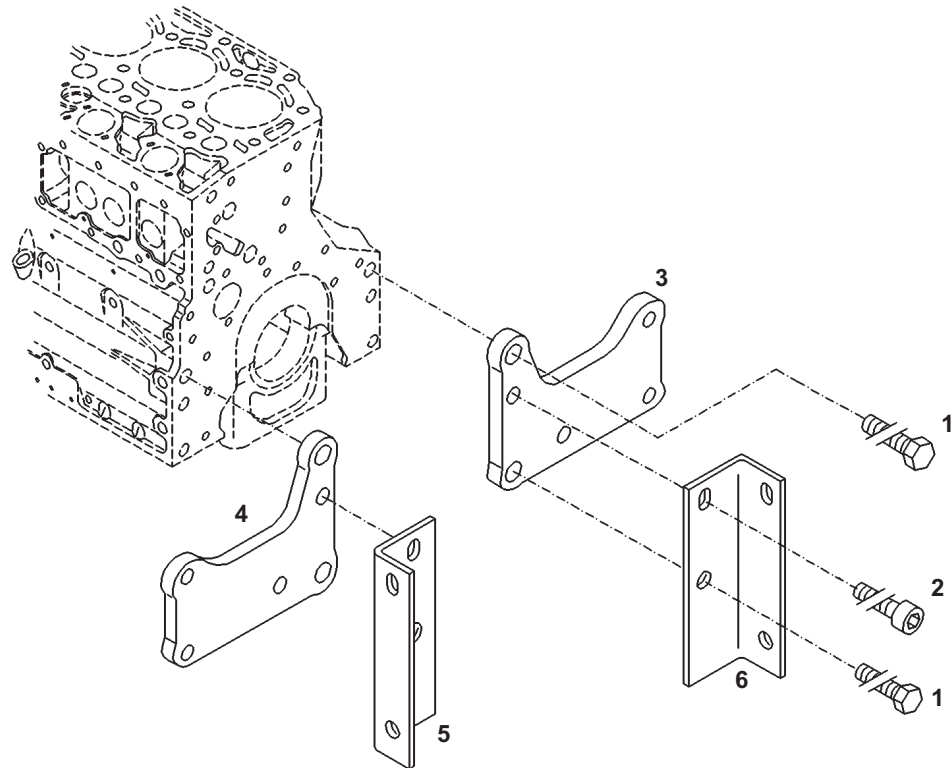
Ref No.	Part No.	Description	Quantity
1	190363	COVER/REAR END	1
2	133204	BOLT/HEX 8 X 30MM CLASS 8.8	8
3	133387	SEAL/ROTATION SHAFT LIP	1
4	187231	COMPOUND/PACKING 250 ML	AR



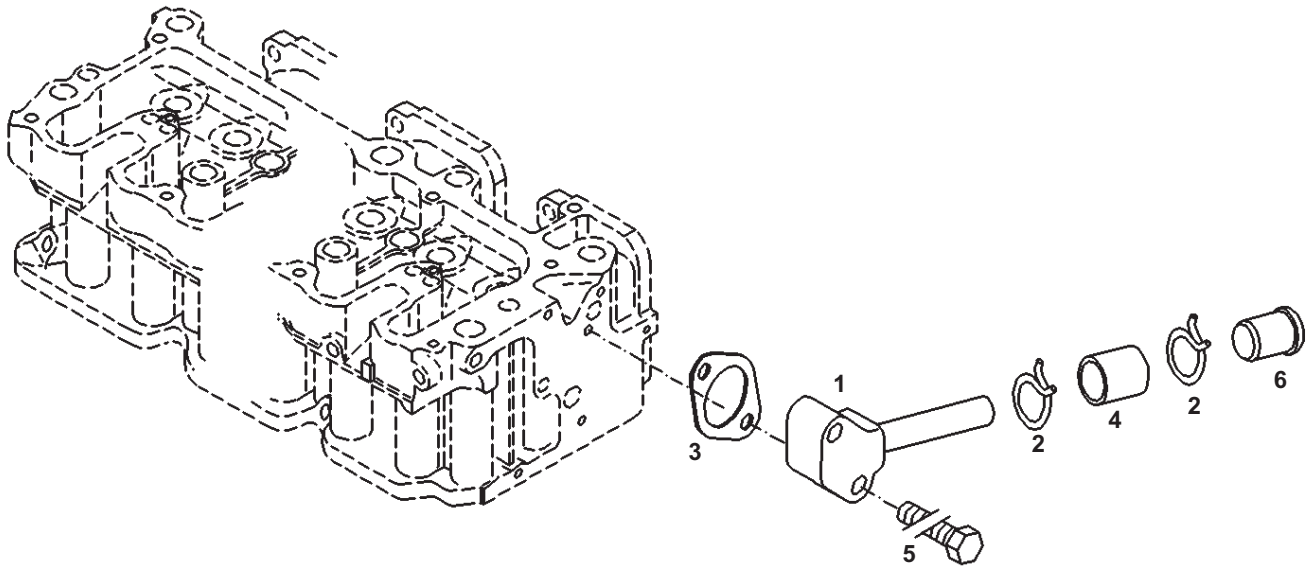
Ref No.	Part No.	Description	Quantity			
			F3M	BF3M	F4M	BF4M
1	133555	TUBE/GUIDE	1	-	-	-
	187192	TUBE/GUIDE	-	1	1	1
2	133556	CLAMP/PIPE	1	1	1	1
3	187233	BOLT/TORX-HEAD	1	1	-	-
	187234	BOLT/TORX-HEAD	-	-	1	1
4	133134	RING/SEALING	1	1	1	1
5	187267	NUT/HEX	1	1	1	1
6	187227	BOLT/HEX	1	1	1	1
7	133561	BRACKET	1	1	1	1



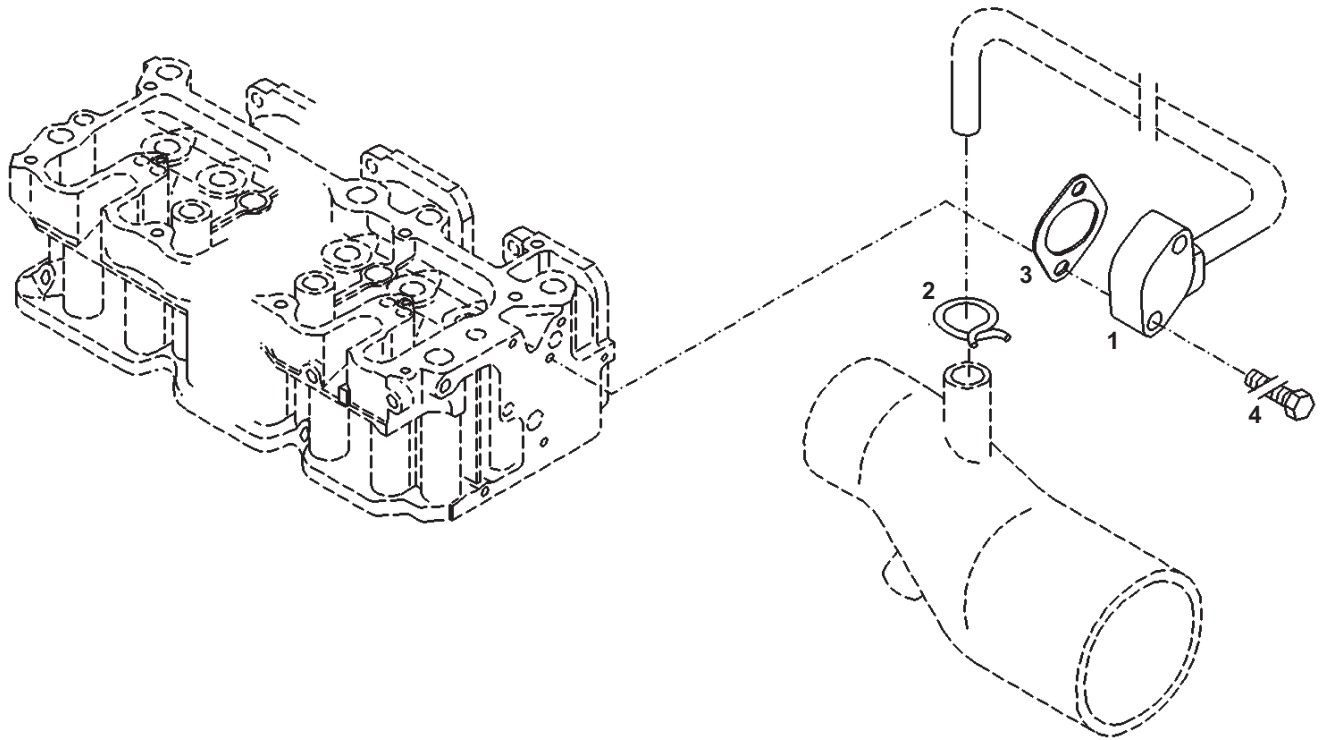
Ref No.	Part No.	Description	Quantity	
			F3M/BF3M	F4M/BF4M
1	135503	DIPSTICK	1	-
	133562	DIPSTICK	-	1



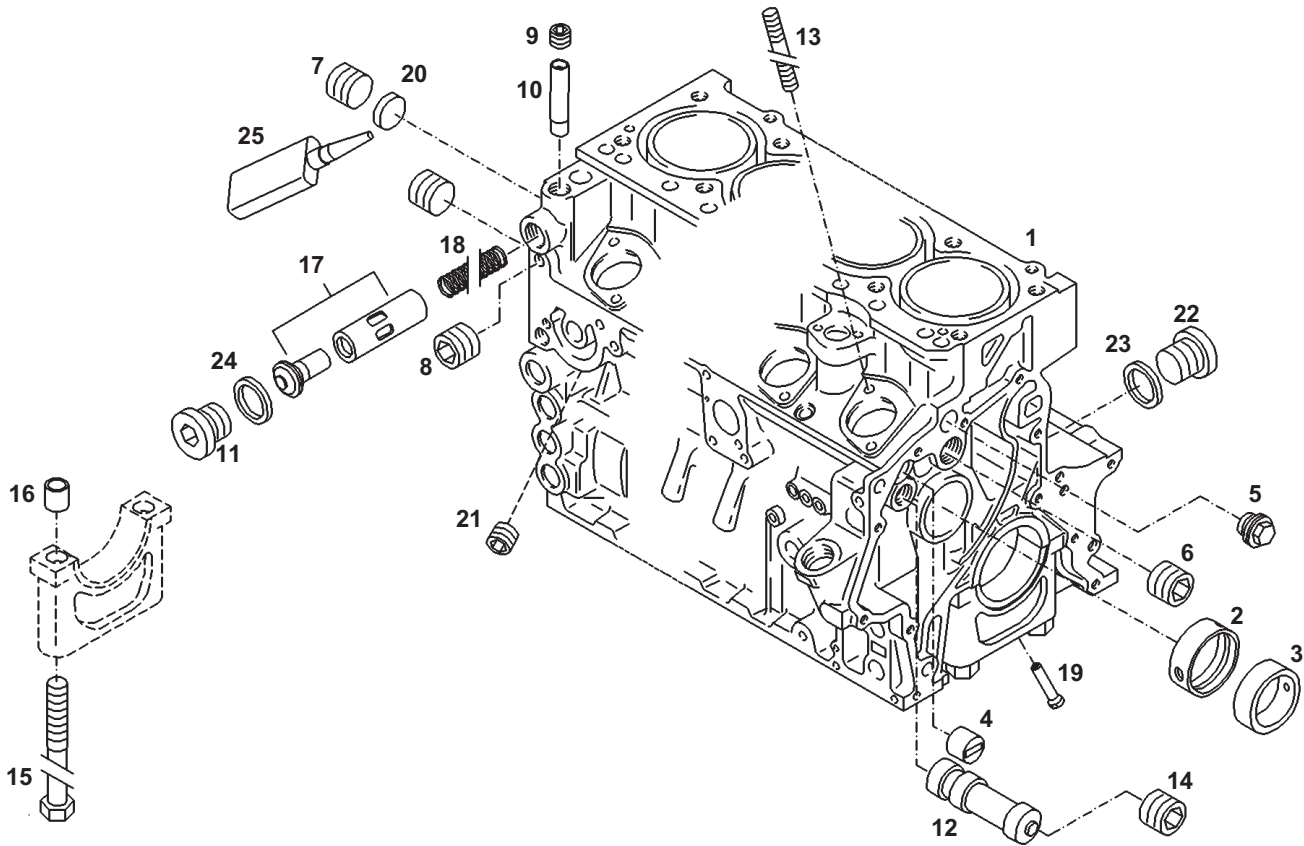
Ref No.	Part No.	Description	Quantity F4M
1	190346	BOLT/HEX	4
2	190351	SCREW/SOCKET	2
3	190347	BRACKET	1
4	190348	BRACKET	1
5	190349	RETAINER/ANGLED	1
6	190350	RETAINER/ANGLED	1



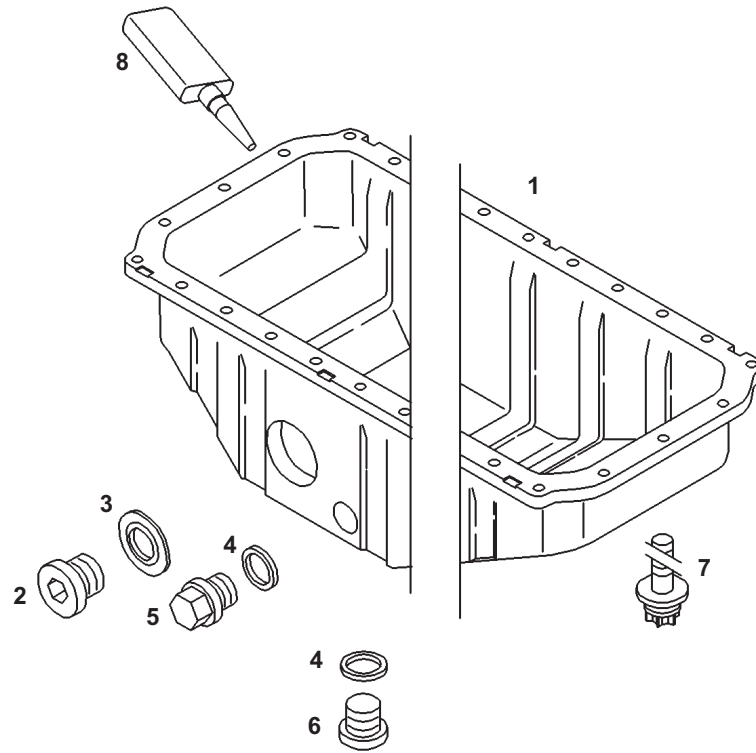
Ref No.	Part No.	Description	Quantity BF3M
1	187220	PIPE/BREATHER	1
2	133212	CLIP/HOSE	2
3	133553	GASKET	1
4	187206	SLEEVE/RUBBER	1
5	187221	BOLT/HEX	2
6	194286	PLUG	1



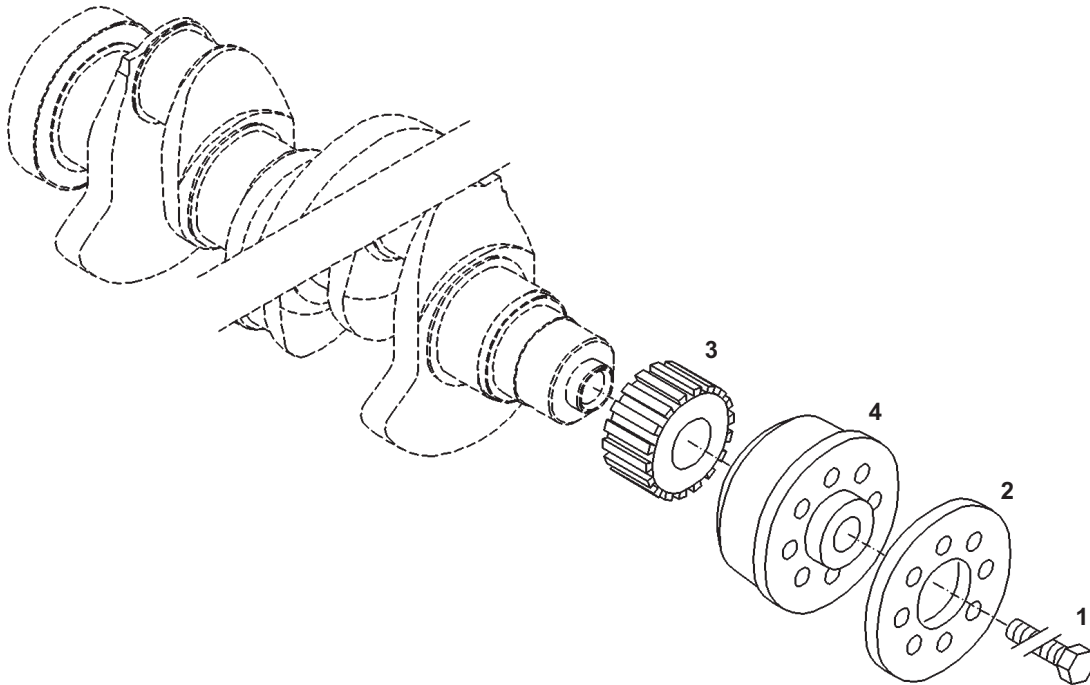
Ref No.	Part No.	Description	Quantity BF4M
1	187131	PIPE/BREATHER	1
2	133212	CLIP/HOSE	1
3	133553	GASKET	1
4	187221	BOLT/HEX	2



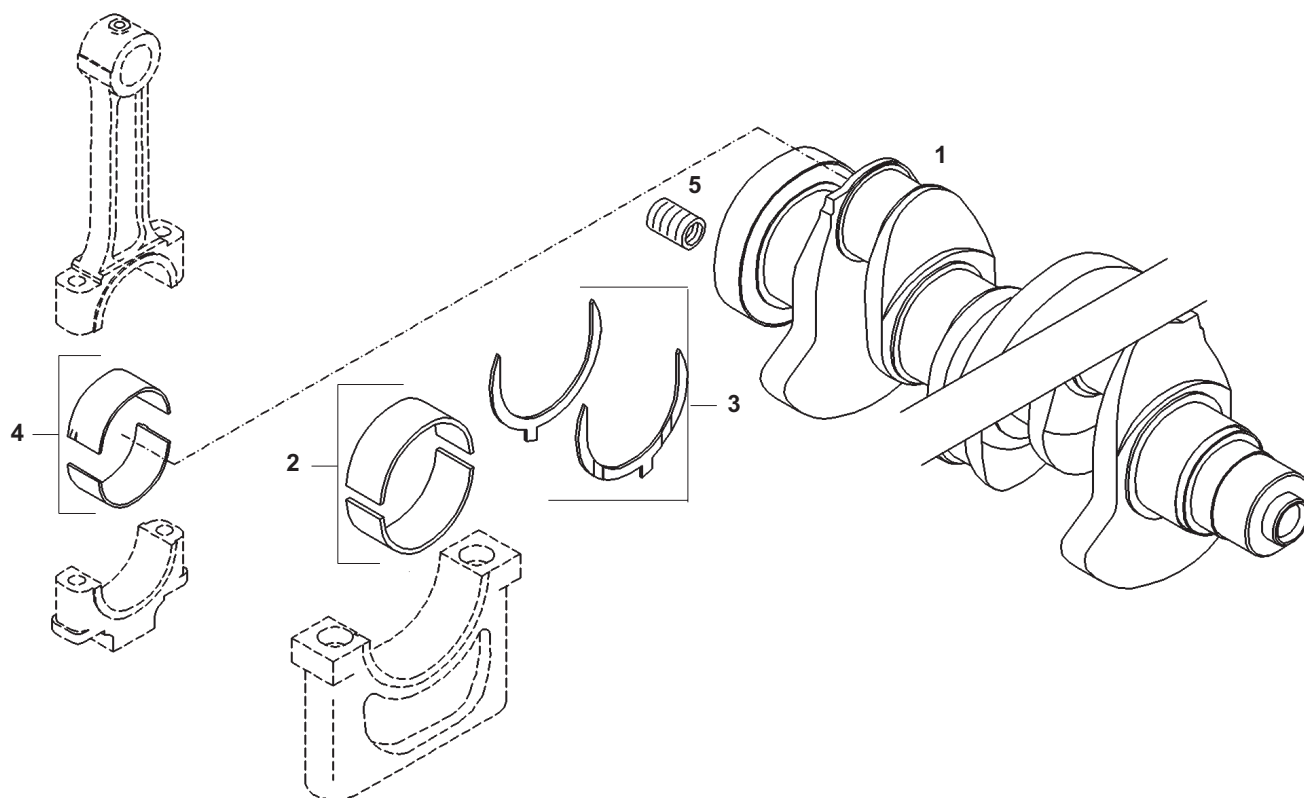
Ref No.	Part No.	Description	Quantity			
			F3M	F4M	BF3M	BF4M
1	187168	BLOCK/ENGINE	1	-	-	-
	187113	BLOCK/ENGINE	-	1	-	-
	187122	BLOCK/ENGINE	-	-	1	-
	187193	BLOCK/ENGINE	-	-	-	1
2	133405	BUSHING/WRAPPED BEARING	2	2	2	2
3	133404	BUSHING/WRAPPED BEARING	2	3	2	3
4	133316	SLEEVE/GUIDE	2	2	2	2
5	133430	PLUG/SCREW	1	1	1	1
6	133537	PLUG/SCREW	2	2	2	2
7	133538	PLUG/SCREW	1	1	1	1
8	133536	PLUG/SCREW	1	1	1	1
9	133540	PLUG/SCREW	1	1	1	1
10	133408	TUBE	1	1	1	1
11	133541	PLUG/SCREW	1	1	1	1
12	187114	PLUG	1	1	1	1
13	187115	STUD	6	8	6	8
14	133542	PLUG/SCREW	1	1	1	1
15	133323	BOLT/HEX	8	10	8	10
16	133350	BUSH	8	10	8	10
17	133473	THERMOSTAT	1	1	1	1
18	133411	SPRING/COMPRESSION	1	1	1	1
19	133417	NOZZLE/PISTON COOLING	6	8	6	8
20	187262	COVER	1	1	1	1
21	133539	PLUG/SCREW	1	1	1	1
22	187289	PLUG/SCREW	1	1	1	1
23	133133	RING/SEALING	1	1	1	1
24	187243	O-SEAL	1	1	1	1
25	133106	LOCKING AGENT/SAFETY	AR	AR	AR	AR



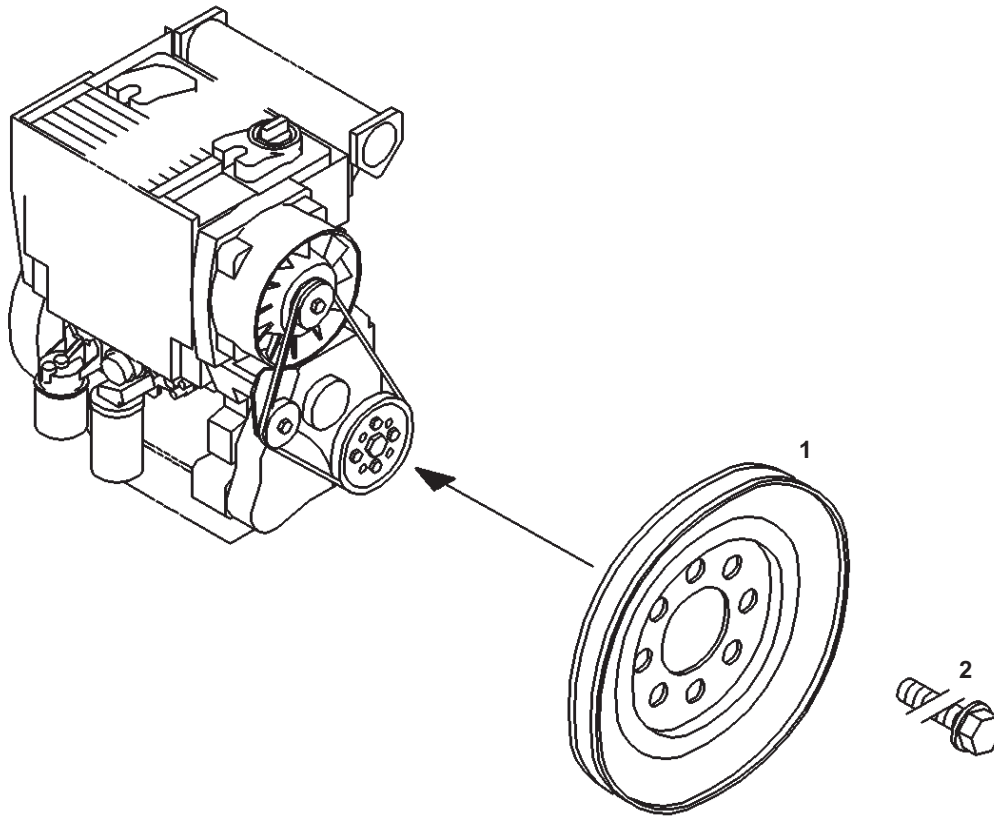
Ref No.	Part No.	Description	Quantity	
			F3M/BF3M	F4M/BF4M
1	187145	PAN/OIL (INCLUDES ITEMS 2-6)	1	-
	187100	PAN/OIL (INCLUDES ITEMS 2-6)	-	1
2	187276	PLUG/SCREW	1	1
3	133138	RING/SEALING	1	1
4	133137	RING/SEALING	3	2
5	133149	PLUG/SCREW	2	1
6	187271	PLUG/SCREW	1	1
7	187234	BOLT/TORX HEAD	22	26
8	133104	COMPOUND/PACKING	AR	AR



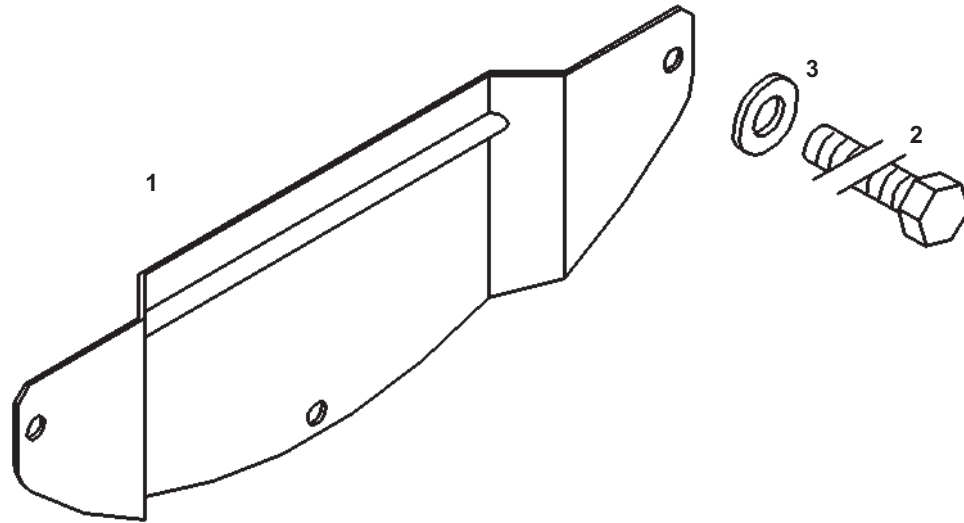
Ref No.	Part No.	Description	Quantity
1	187159	BOLT/HEX	1
2	187141	DEFLECTOR/LUBE	1
3	133370	PULLEY/TIMING BELT	1
4	187142	FLANGE/OUTPUT	1



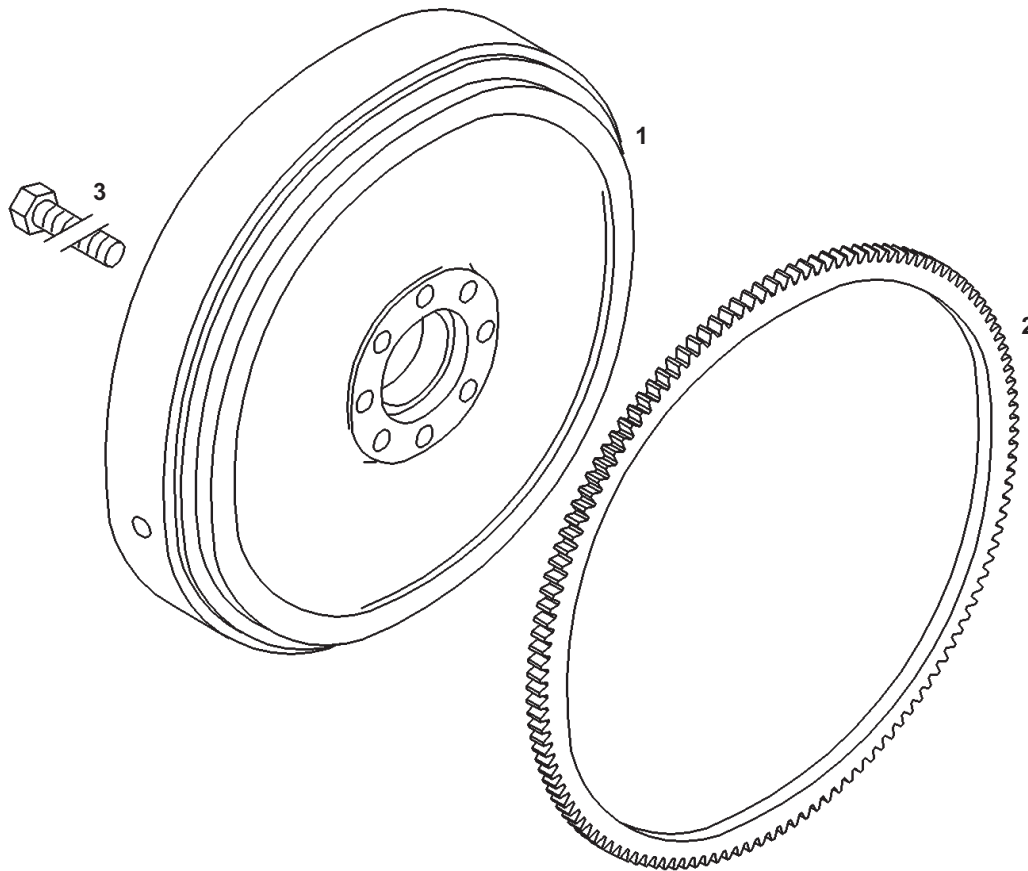
Ref No.	Part No.	Description	Quantity	
			F3M/BF3M	F4M/BF4M
1	133522	CRANKSHAFT (INCLUDES ITEMS 2-4)	1	-
	133486	CRANKSHAFT (INCLUDES ITEMS 2-4)	-	1
2	133487	BEARING/MAIN STANDARD 70MM	4	5
2A	133488	BEARING/MAIN 1ST UNDERSIZE 69.75MM	4	5
2B	133489	BEARING/MAIN 2ND UNDERSIZE 69.50MM	4	5
3	133338	WASHER/THRUST STANDARD 2.4MM	1	1
3A	133339	WASHER/THRUST 1ST OVERSIZE 2.6MM	1	1
4	133490	BEARING/BIG END STANDARD	-	4
	135531	BEARING/BIG END STANDARD	3	-
4A	133491	BEARING/BIG END 1ST UNDERSIZE	-	4
	135532	BEARING/BIG END 1ST UNDERSIZE	3	-
4B	133492	BEARING/BIG END 2ND UNDERSIZE	-	4
	135533	BEARING/BIG END 2ND UNDERSIZE	3	-
5	133515	INSERT/THREADED 10 X 1 X 5MM	1	1



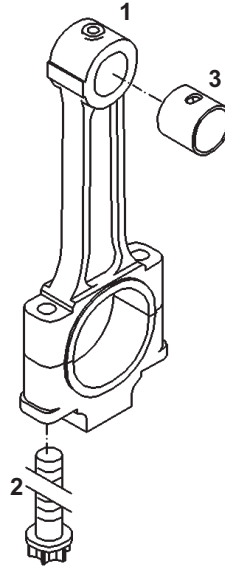
Ref No.	Part No.	Description	Quantity			
			F3M	F4M	BF3M	BF4M
1	135508	PULLEY/V-GROOVED	1	1	-	-
	133521	PULLEY/V-GROOVED	-	-	1	1
2	187240	BOLT/HEX	1	1	1	1



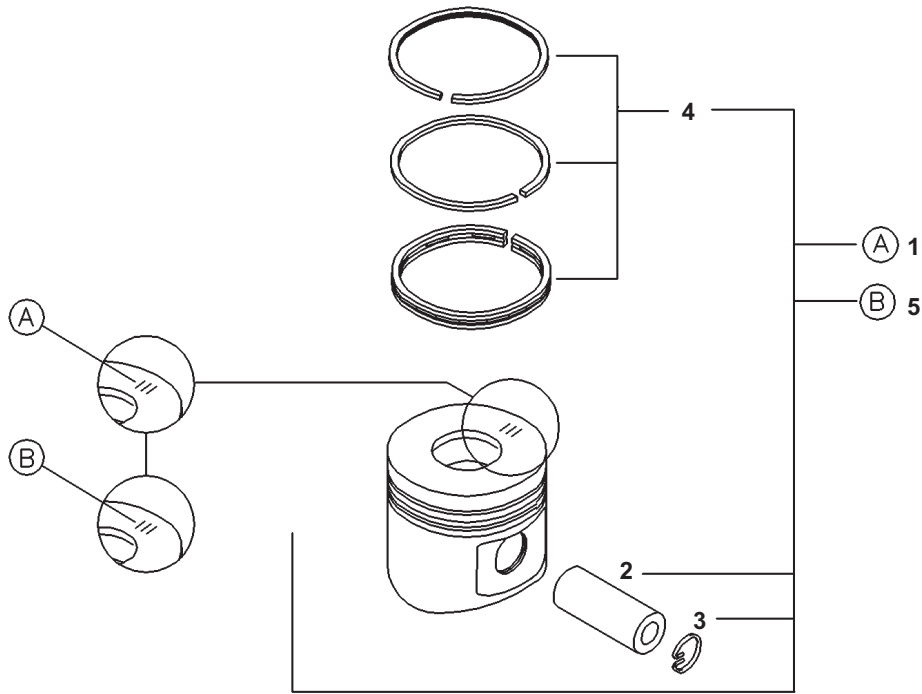
Ref No.	Part No.	Description	Quantity
1	187126	PLATE/COVER	1
2	187127	BOLT/HEX	3
3	187128	WASHER/PLAIN	3



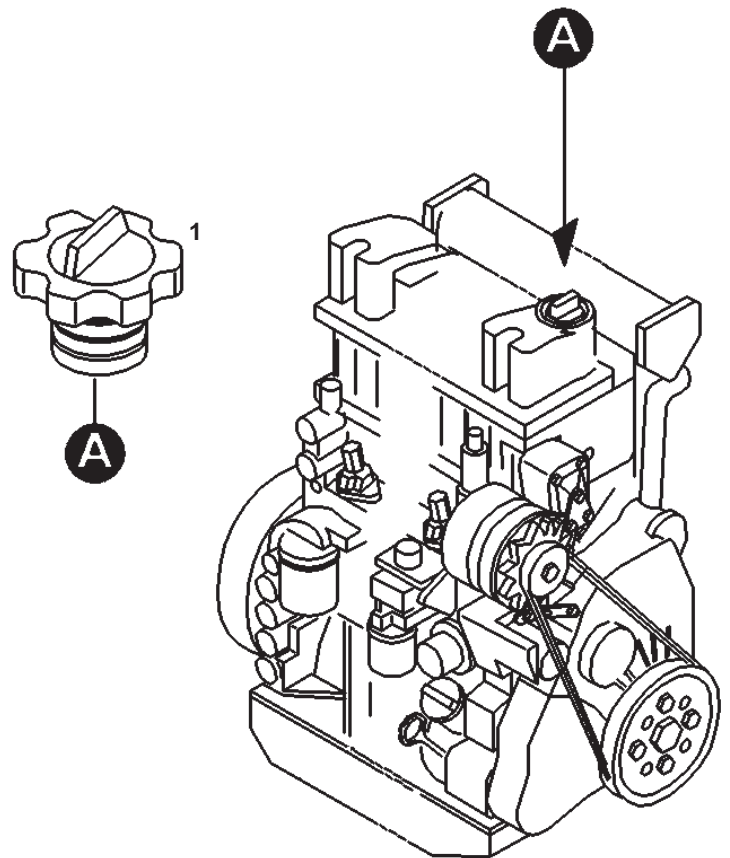
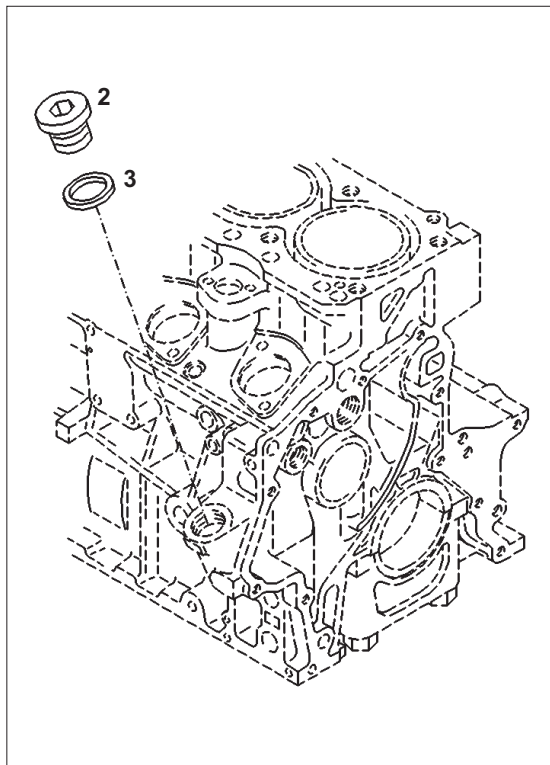
Ref No.	Part No.	Description	Quantity
1	138861	FLYWHEEL (INCLUDES ITEM 2)	1
2	138860	RIM/GEAR	1
3	133335	BOLT/SCREW	8



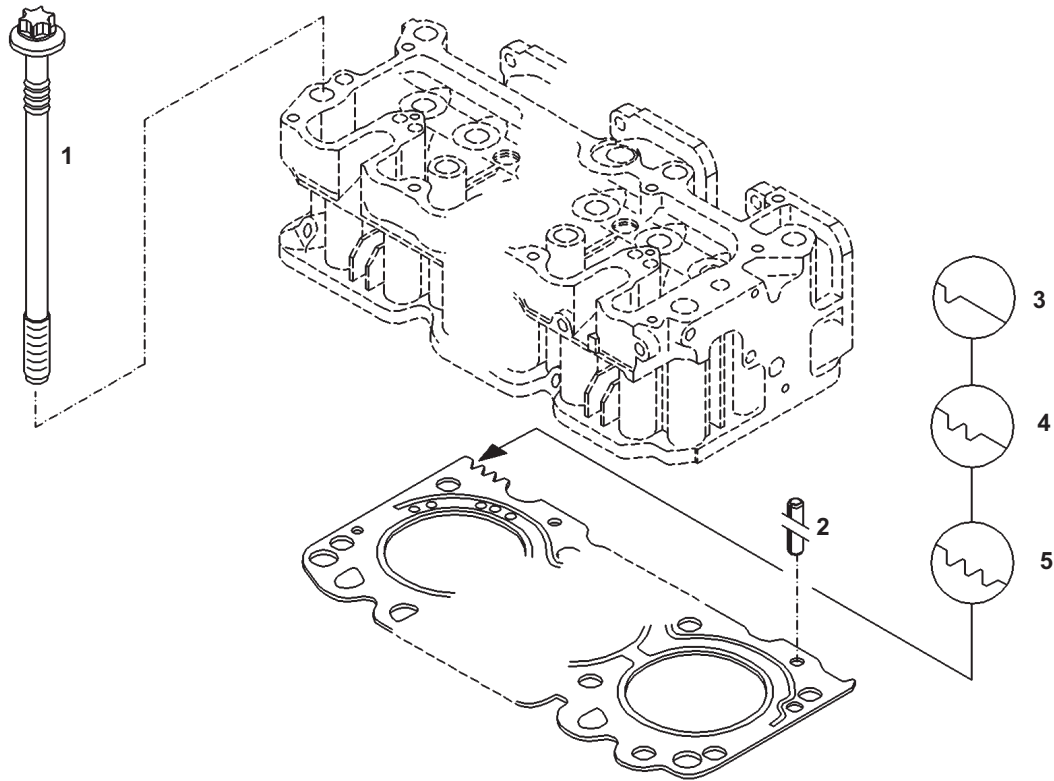
Ref. No.	Part No.	Description	Quantity	
			F3M/F4M	BF3M/BF4M
1	187194	ROD/CONNECTING (INCLUDES ITEMS 2-4)	-	1
	187123	ROD/CONNECTING (INCLUDES ITEMS 2-4)	1	-
2	187124	BOLT/BIG END	2	2
3	133319	BUSHING/BIG END STANDARD 29.06-29.10MM	1	-
	133357	BUSHING/BIG END STANDARD 33.07-33.11MM	-	1
3A	133320	BUSHING/BIG END OVERSIZE 29.31-29.35MM	1	-
	133358	BUSHING/BIG END OVERSIZE 33.23-33.36MM	-	1



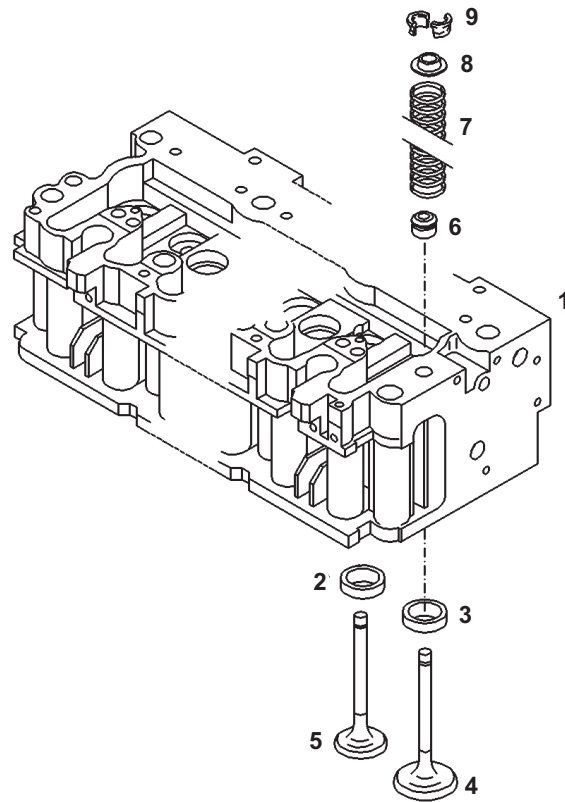
Ref No.	Part No.	Description	Quantity	
			F3M/F4M	BF3M/BF4M
1	187255	PISTON "A"	1	-
	187228	PISTON "A"	-	1
2	133317	PIN/PISTON	1	-
	133369	PIN/PISTON	-	1
3	187257	RING/SNAP	2	-
	133159	RING/SNAP	-	2
4	187117	RINGS/SET OF PISTON	1	-
	187116	RINGS/SET OF PISTON	-	1
5	187258	PISTON "B"	1	-



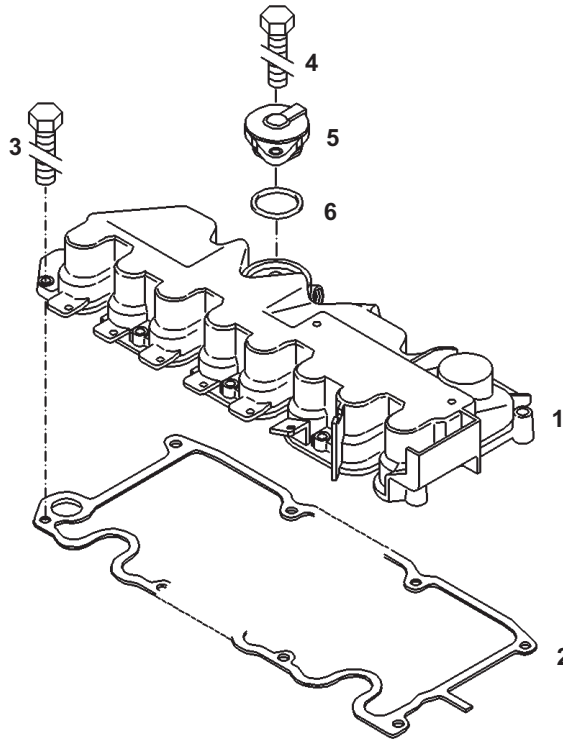
Ref No.	Part No.	Description	Quantity
1	133444	CAP/FILLER	1
2	187132	PLUG/SCREW	1
3	187133	RING/SEALING	1



Ref No.	Part No.	Description	Quantity			
			F3M	BF3M	F4M	BF4M
1	135535	BOLT/CYLINDER HEAD	8	8	10	10
2	133427	PIN/SPIRAL	2	2	2	2
3	187109	GASKET/CYLINDER HEAD	1	-	-	-
	192783	GASKET/CYLINDER HEAD	-	1	-	-
	187106	GASKET/CYLINDER HEAD	-	-	1	-
4	187156	GASKET/CYLINDER HEAD	-	-	-	1
	187108	GASKET/CYLINDER HEAD	1	-	-	-
	194287	GASKET/CYLINDER HEAD	-	1	-	-
	187105	GASKET/CYLINDER HEAD	-	-	1	-
	187157	GASKET/CYLINDER HEAD	-	-	-	1
5	187107	GASKET/CYLINDER HEAD	1	-	-	-
	194288	GASKET/CYLINDER HEAD	-	1	-	-
	187104	GASKET/CYLINDER HEAD	-	-	1	-
	187158	GASKET/CYLINDER HEAD	-	-	-	1

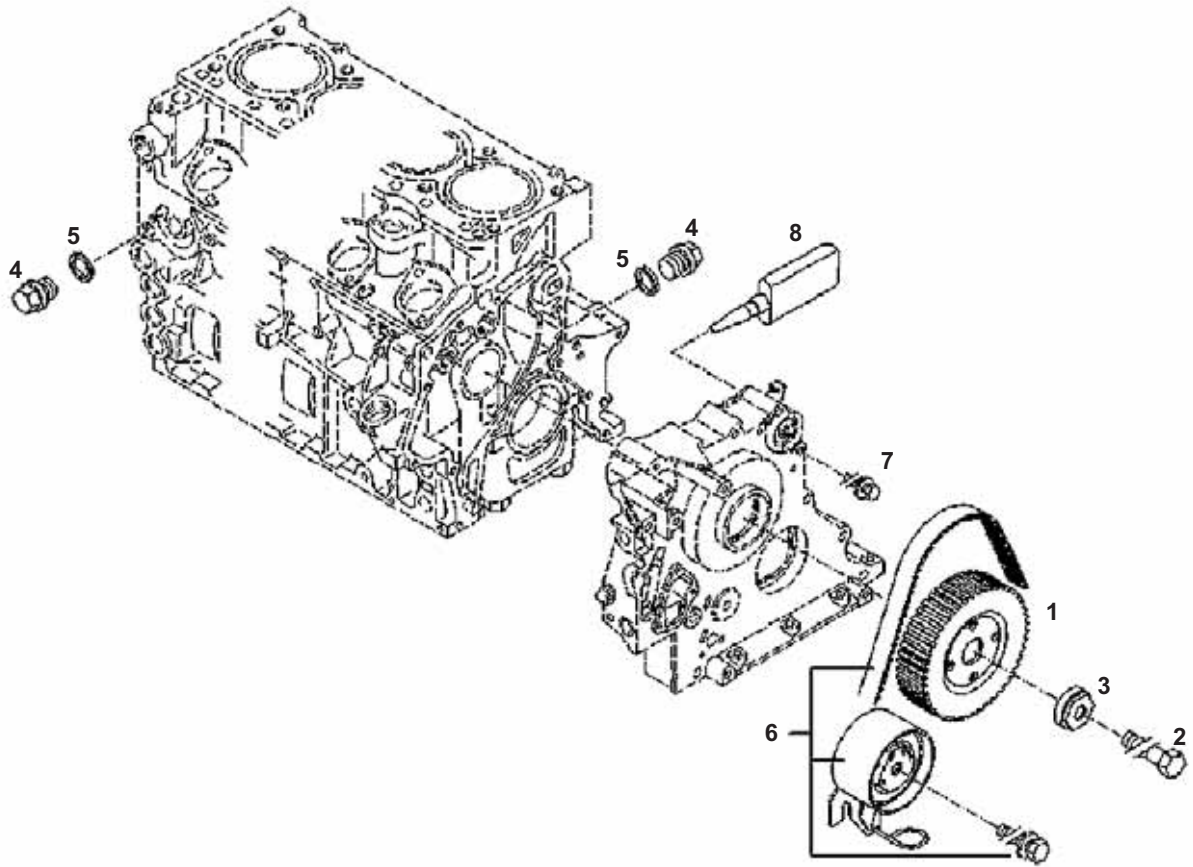


Ref No.	Part No.	Description	Quantity			
			F3M	F4M	BF3M	BF4M
1	187134	HEAD/CYLINDER (INCLUDES ITEMS 2-9)	1	-	-	-
	187135	HEAD/CYLINDER (INCLUDES ITEMS 2-9)	-	1	-	-
	187111	HEAD/CYLINDER (INCLUDES ITEMS 2-9)	-	-	1	-
	187136	HEAD/CYLINDER (INCLUDES ITEMS 2-9)	-	-	-	1
2	187147	INSERT/VALVE SEAT EXHAUST	3	4	3	4
2A	187224	INSERT/VALVE SEAT 1ST OVERSIZE	3	4	-	-
	187149	INSERT/VALVE SEAT 1ST OVERSIZE	-	-	3	4
3	187150	INSERT/VALVE SEAT INTAKE	3	4	3	4
3A	133327	INSERT/VALVE SEAT 1ST OVERSIZE	3	4	3	4
4	187130	VALVE/INLET	3	4	-	-
	187125	VALVE/INLET	-	-	3	4
5	187146	VALVE/EXHAUST	3	4	3	4
6	133352	SEAL/VALVE STEM	6	8	6	8
7	133456	SPRING/COMPRESSION	6	8	6	8
8	187148	CAP/SPRING	6	8	-	-
	187101	CAP/SPRING	-	-	6	8
9	133322	COLLET/VALVE	12	16	12	16

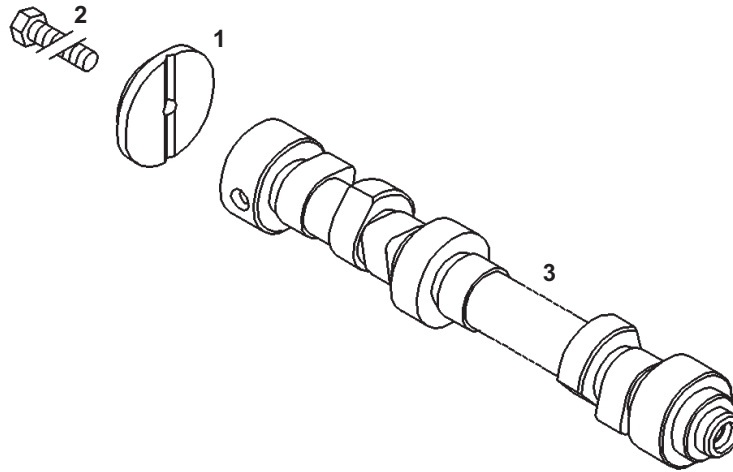


Ref No.	Part No.	Description	Quantity		
			F3M	BF3M	F4M/BF4M
1	135529	COVER/CYLINDER HEAD HARD	1	1	-
	194292a	COVER/CYLINDER HEAD HARD	-	1	-
	133565	COVER/CYLINDER HEAD HARD	-	-	1
2	135528	GASKET	1	-	-
	193050	GASKET	-	1	-
	133566	GASKET	-	-	1
3	187264	BOLT/HEX	8	8	10
4	133163	BOLT/HEX	-	-	1
5	133426	VALVE/BREATHER	-	-	1
6	133250	O-SEAL	-	-	1
	187223	O-SEAL	1	1	-

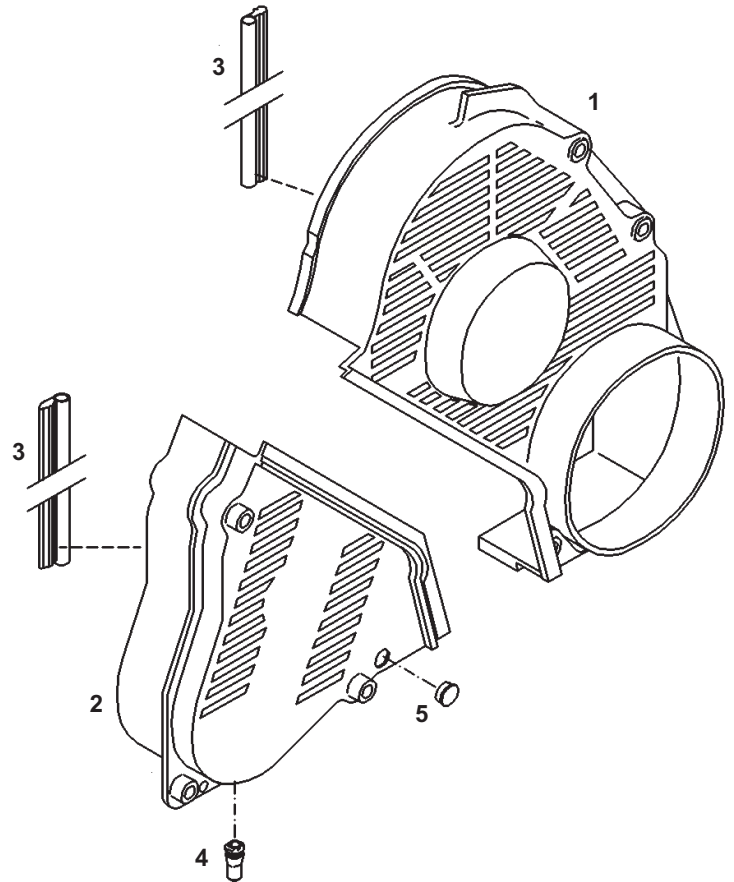
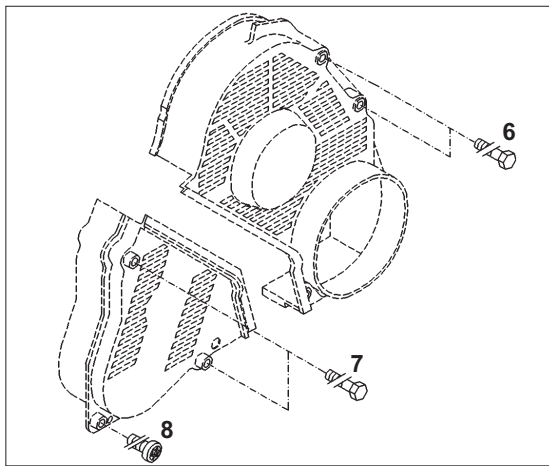
a.) Be sure to check engine serial number to make sure correct part is ordered.



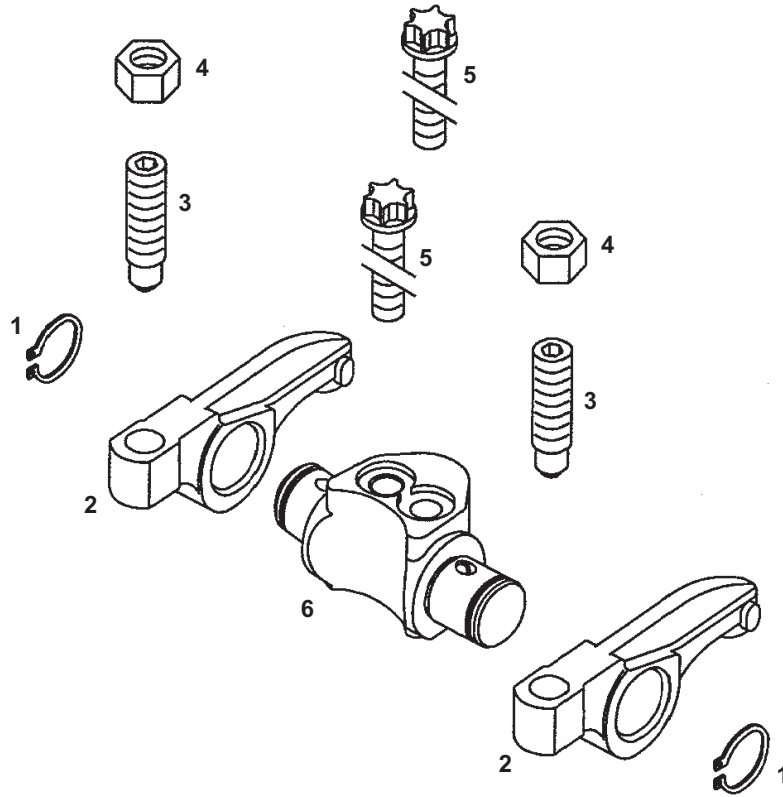
Ref No.	Part No.	Description	Quantity
1	187118	PULLEY/SYNCHRONIZING BELT	1
2	133242	BOLT/HEX 14 X 110MM CLASS 12.9	1
3	187119	WASHER/PLAIN	1
4	187120	PLUG/SCREW 10 X 1MM	2
5	133132	RING/SEALING 10 X 16MM	2
6	187121	KIT/REPAIR	1
7	187509	BOLT/HEX	1
8	187236	COMPOUND/PACKING	AR



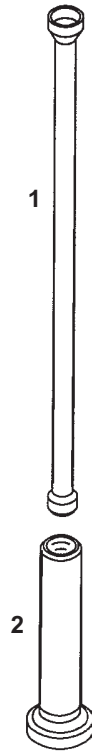
Ref No.	Part No.	Description	Quantity			
			F3M	F4M	BF3M	BF4M
1	187208	WASHER/THRUST	1	1	1	1
2	187209	BOLT/HEX	1	1	1	1
3	187164	CAMSHAFT	1	-	-	-
	187210	CAMSHAFT	-	1	-	-
	187225	CAMSHAFT	-	-	1	-
	187129	CAMSHAFT	-	-	-	1



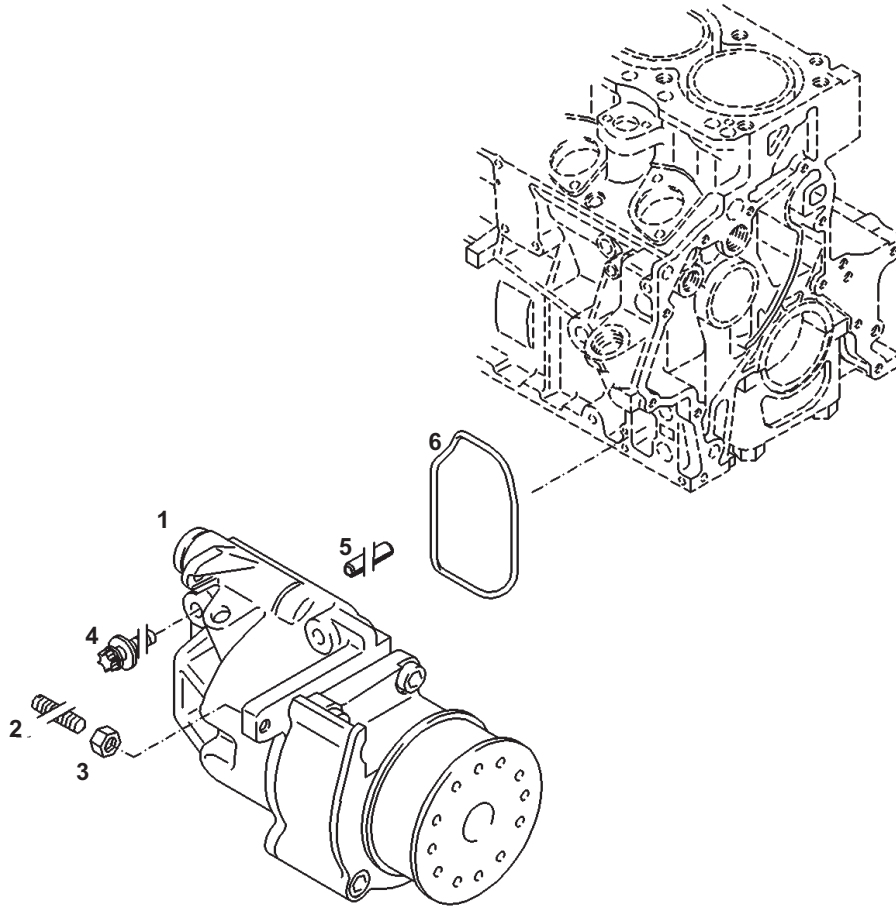
Ref No.	Part No.	Description	Quantity
1	187144	HOOD/PROTECTION (INCLUDES ITEM 4)	1
2	187160	HOOD/PROTECTION	1
3	187161	SECTION/SEALING	1
4	187140	GROMMET/RUBBER	1
5	133216	PLUG	1
6	187288	BOLT/HEX	3
7	133145	BOLT/HEX	2
8	187211	SCREW/LOCKING	1



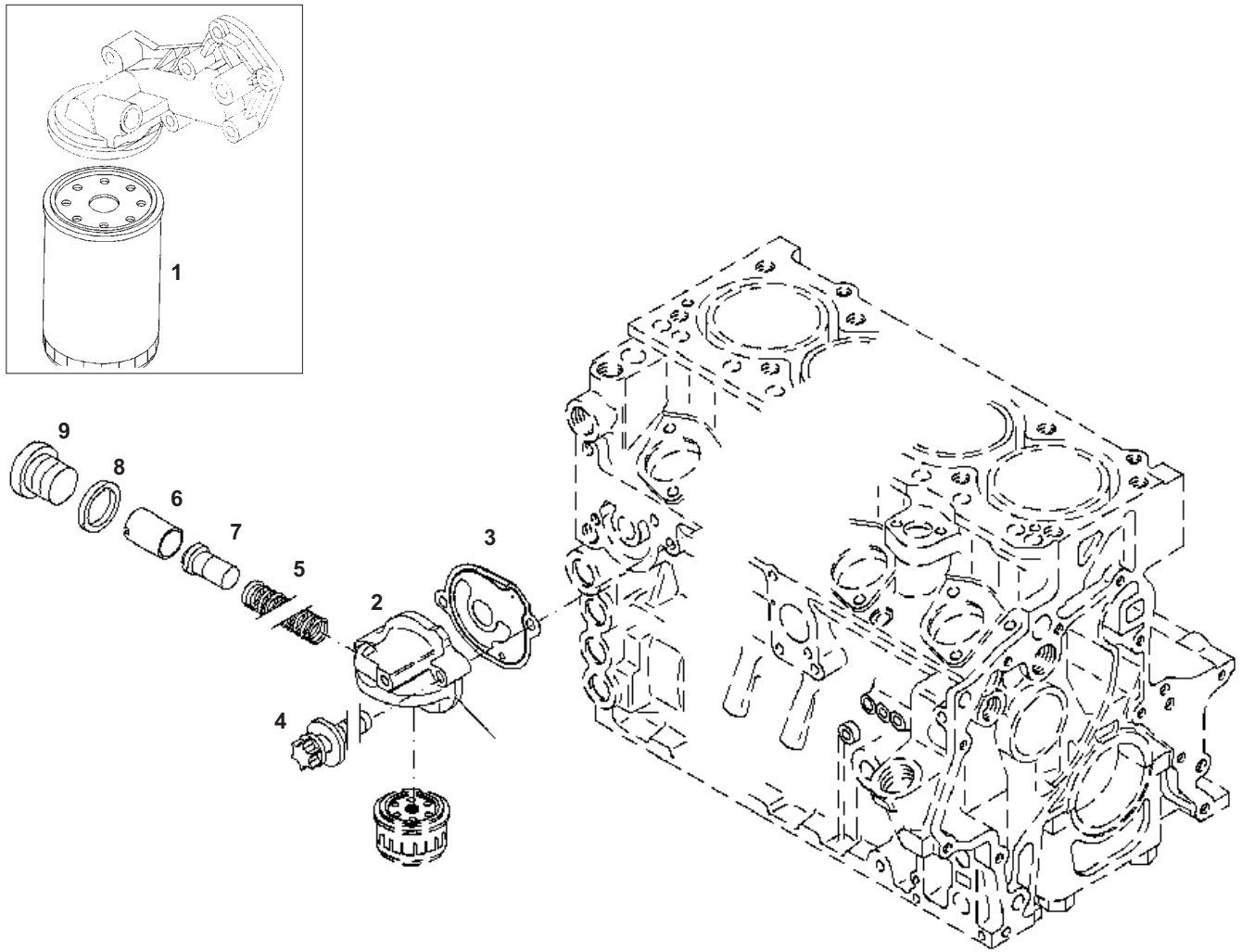
Ref No.	Part No.	Description	Quantity
1	133113	CIRCLIP	2
2	133332	ARM/ROCKER	2
3	133333	SCREW/ADJUSTING	2
4	133334	NUT/HEX	2
5	187237	BOLT/TORX HEAD	2
6	133375	BRACKET/ROCKER ARM (INCLUDES ITEMS1-4)	1



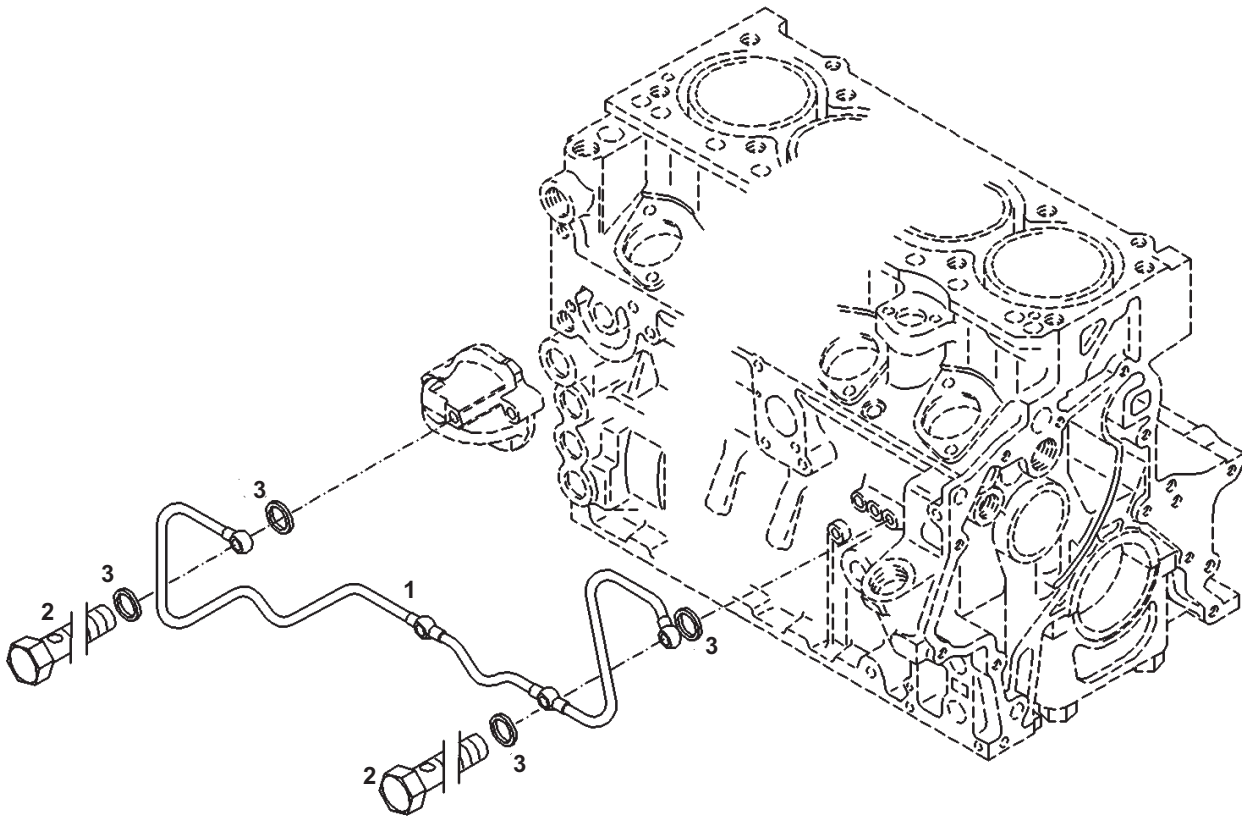
Ref No.	Part No.	Description	Quantity
1	133330	ROD/PUSH	2
2	133402	TAPPET/VALVE	2



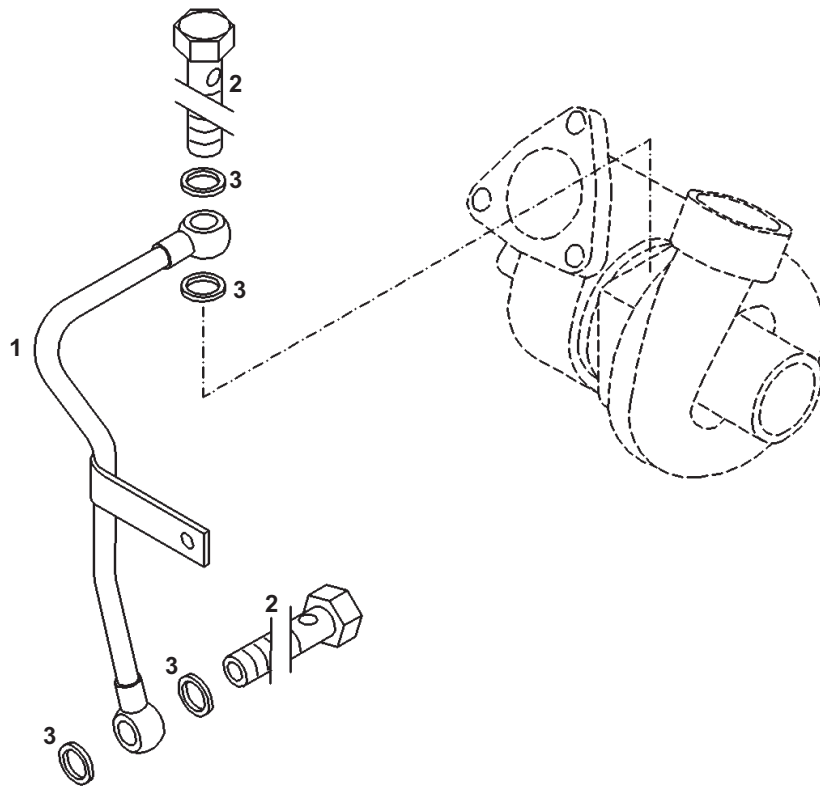
Ref No.	Part No.	Description	Quantity		
			F3M	BF3M	F4M/BF4M
1	187139	PUMP/LUBRICATION OIL (INCLUDES ITEMS 2,3)	1	-	-
	187137	PUMP/LUBRICATION OIL (INCLUDES ITEMS 2,3)	-	1	-
	187137	PUMP/LUBRICATION OIL (INCLUDES ITEMS 2,3)	-	-	1
2	187266	SCREW/SET	1	1	1
3	187267	NUT/HEX	1	1	1
4	187230	BOLT/TORX HEAD	4	4	4
5	133428	PIN/SPIRAL	2	2	2
6	133440	RING/SEALING	1	1	1



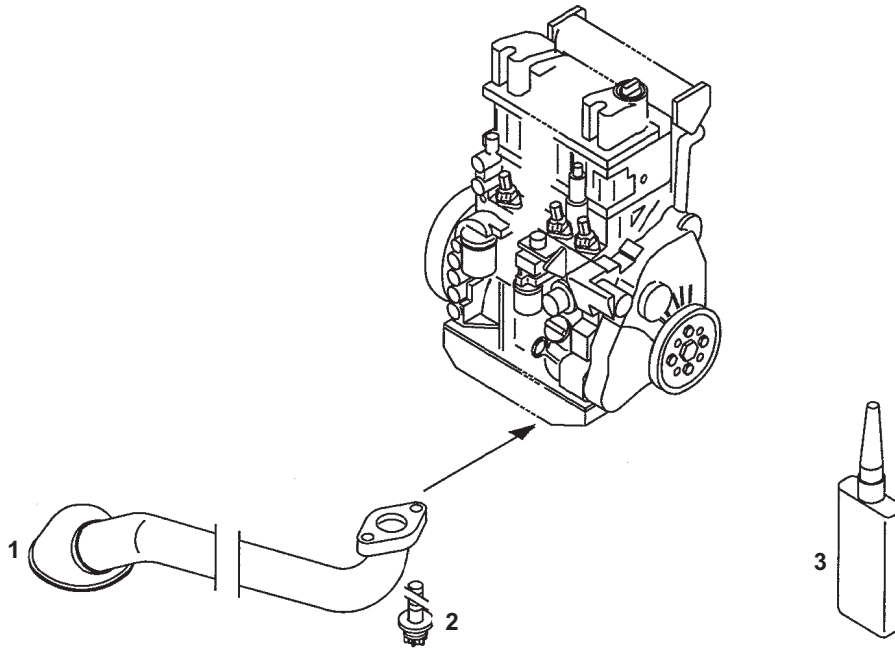
Ref No.	Part No.	Description	Quantity
1	132023	FILTER/SPIN-ON	1
2	187200	BRACKET	1
3	187201	GASKET	1
4	187229	BOLT/TORX-HEAD	2
5	187202	SPRING/COMPRESSION	1
6	187203	VALVE/CONTROL	1
7	187204	SENSOR/TEMPERATURE	1
8	133139	RING/SEALING	1
9	133109	PLUG/SCREW	1



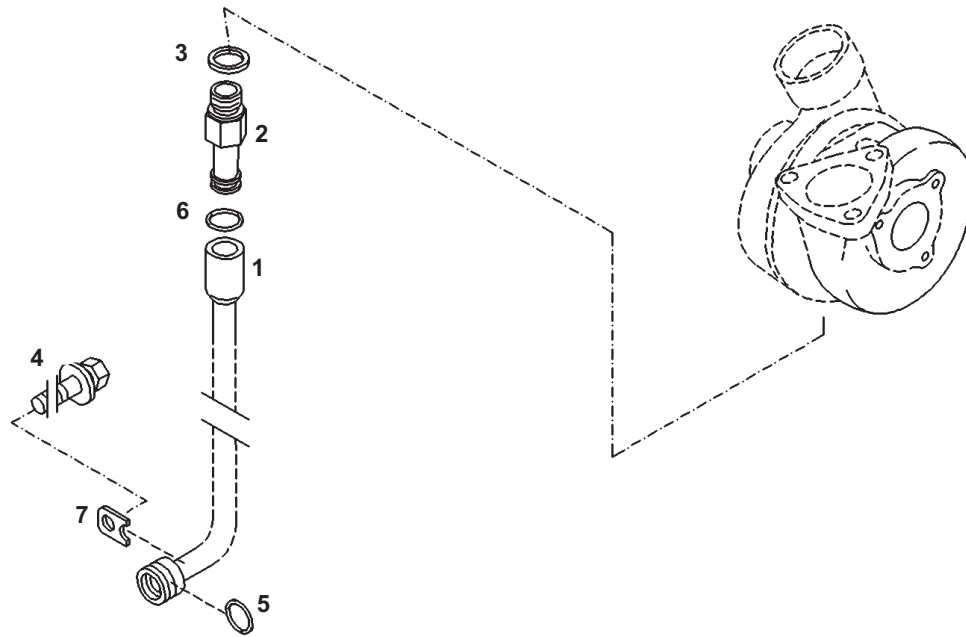
Ref No.	Part No.	Description	Quantity	
			F3M/BF3M	F4M/BF4M
1	187165	LINE/PILOT	1	-
	187280	LINE/PILOT	-	1
2	187281	SCREW/HOLLOW	3	4
3	187282	RING/SEALING	6	8



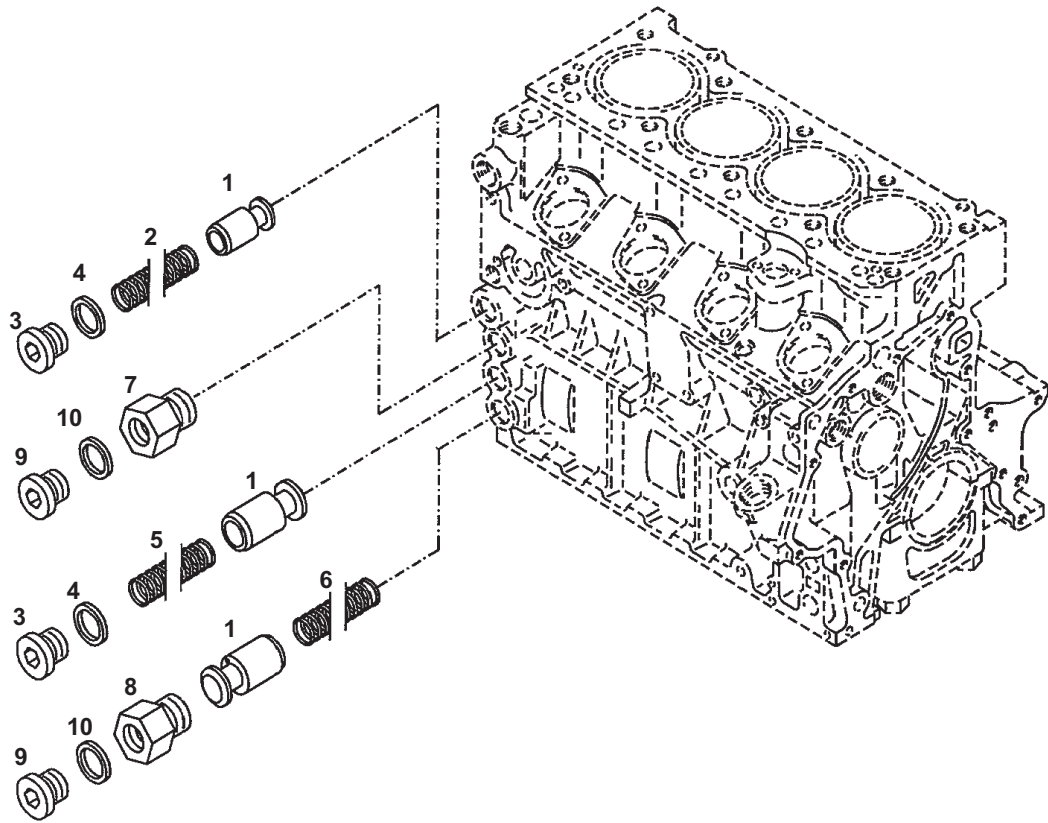
Ref No.	Part No.	Description	Quantity BF3M/BF4M
1	133498	LINE/LUBRICATION OIL	1
2	133141	SCREW/HOLLOW	2
3	133133	RING/SEALING	4



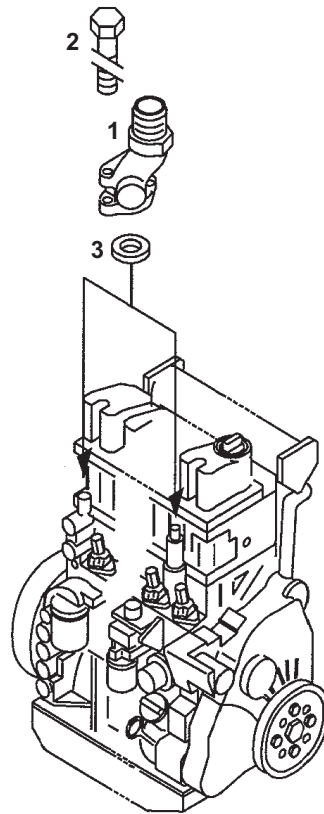
Ref No.	Part No.	Description	Quantity	
			F3M/BF3M	F4M/BF4M
1	135517	PIPE/OIL SUCTION	1	-
	187189	PIPE/OIL SUCTION	-	1
2	187232	BOLT/TORX HEAD	2	2
3	133103	COMPOUND/PACKING	AR	AR



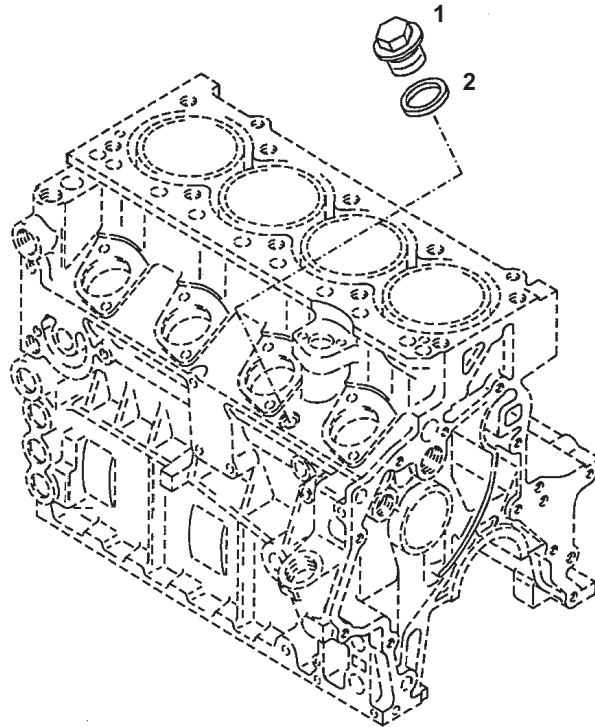
Ref No.	Part No.	Description	Quantity	
			BF3M	BF4M
1	133550	LINE/OIL RETURN	1	-
	133495	LINE/OIL RETURN	-	1
2	133478	NIPPLE/SCREW-IN	1	1
3	133135	RING/SEALING	1	1
4	187235	BOLT/HEX	1	1
5	187222	O-SEAL	1	1
6	133259	O-RING 12 X 3MM	1	1
7	133551	PLATE/RETAINING	1	1



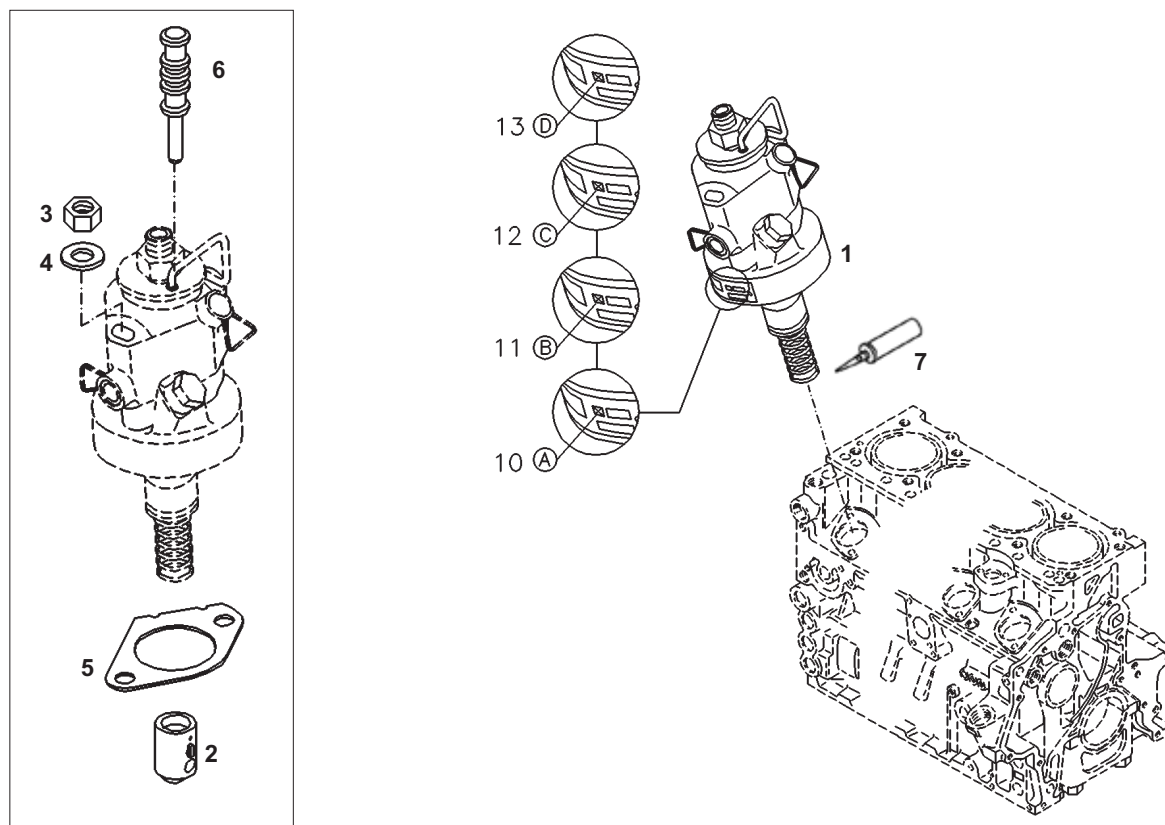
Ref No.	Part No.	Description	Quantity
1	133414	VALVE	3
2	133415	SPRING/COMPRESSION	1
3	133109	PLUG/SCREW 24 X 1.5MM	2
4	133139	RING/SEALING 24 X 29MM	2
5	133451	SPRING/COMPRESSION	1
6	133416	SPRING/COMPRESSION	1
7	133409	NIPPLE/ADAPTER	1
8	133410	NIPPLE/ADAPTER	1
9	133176	PLUG/SCREW 18 X 1.5MM	2
10	133136	RING/SEALING 18 X 20MM	2



Ref No.	Part No.	Description	Quantity
1	187181	CONNECTION/RADIATOR	2
2	133165	BOLT/HEX 6 X 60MM CLASS 10.9	4
3	133245	RING/SEALING 21.8 X 1.5MM	2



Ref No.	Part No.	Description	Quantity
1	133116	PLUG/SCREW 10 X 1MM	1
2	133132	RING/SEALING 10 X 16MM	1



Ref No.	Part No.	Description	Quantity			
			F3M	F4M	BF3M	BF4M
1	REF	PUMP/FUEL INJECTION	-	-	-	-
2	187246	TAPPET/ROLLER	3	4	3	4
3	133126	NUT/HEX	6	8	6	8
4	133337	WASHER/PLAIN	6	8	6	8
5	190364	GASKET/COMPENSATION 0.35MM	AR	AR	AR	AR
5A	190365	GASKET/COMPENSATION 0.4MM	AR	AR	AR	AR
5B	133419	GASKET/COMPENSATION 0.45MM	AR	AR	AR	AR
5C	190366	GASKET/COMPENSATION 0.5MM	AR	AR	AR	AR
5D	133420	GASKET/COMPENSATION 0.55MM	AR	AR	AR	AR
5E	190367	GASKET/COMPENSATION 0.6MM	AR	AR	AR	AR
5F	133421	GASKET/COMPENSATION 0.65MM	AR	AR	AR	AR
5G	190368	GASKET/COMPENSATION 0.7MM	AR	AR	AR	AR
5H	133422	GASKET/COMPENSATION 0.75MM	AR	AR	AR	AR
5I	190369	GASKET/COMPENSATION 0.8MM	AR	AR	AR	AR
5J	133423	GASKET/COMPENSATION 0.85MM	AR	AR	AR	AR
5K	190370	GASKET/COMPENSATION 0.9MM	AR	AR	AR	AR
5L	133424	GASKET/COMPENSATION 0.95MM	AR	AR	AR	AR
5M	187251	GASKET/COMPENSATION 1.0MM	AR	AR	AR	AR
5N	187152	GASKET/COMPENSATION 1.05MM	AR	AR	AR	AR
5O	190371	GASKET/COMPENSATION 1.1MM	AR	AR	AR	AR
5P	187151	GASKET/COMPENSATION 1.15MM	AR	AR	AR	AR
5Q	190372	GASKET/COMPENSATION 1.2MM	AR	AR	AR	AR
5R	190373	GASKET/COMPENSATION 1.25MM	AR	AR	AR	AR
5S	190374	GASKET/COMPENSATION 1.3MM	AR	AR	AR	AR
6	187247	PLUG	3	4	3	4
7	194281	DEVICE/MOUNTING	1	1	1	1

Continued on Next Page

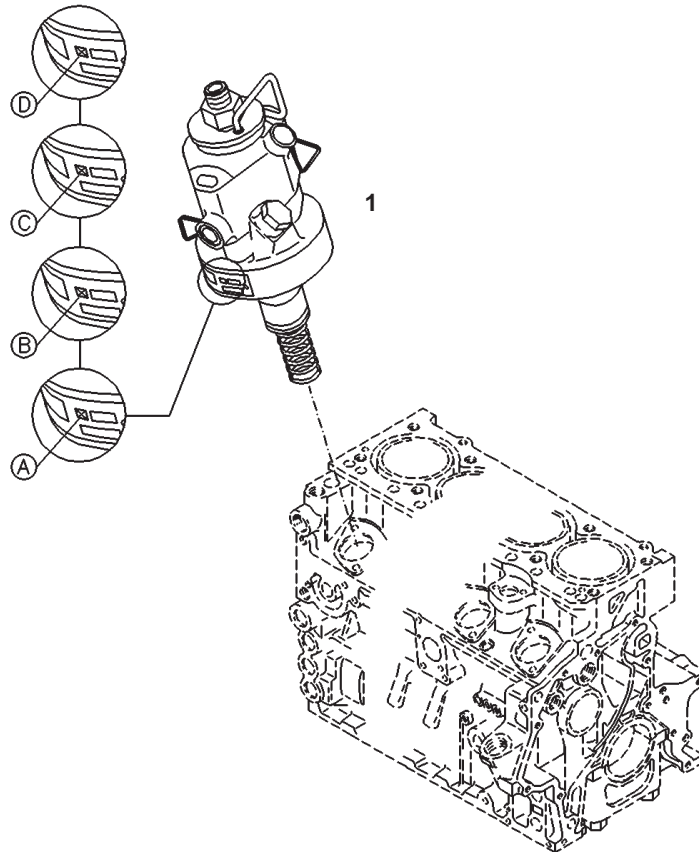
4-Cyl Turbo Engines
SN 882468 - 946072

3- and 4-Cyl NA Engines
SN 946073 - 10022185

3- and 4-Cyl Turbo Engines
SN 949589- 10045201

4-Cyl NA Engines
SN 10033029 and Later

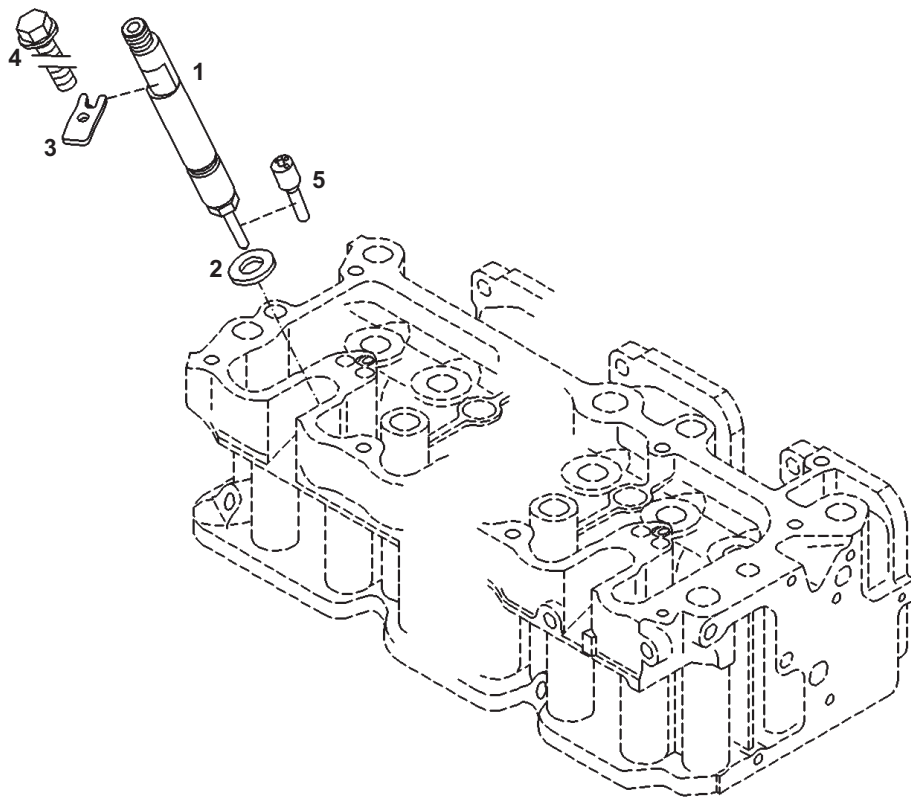
3- and 4-Cyl Turbo Engines
SN 10045202 and Later



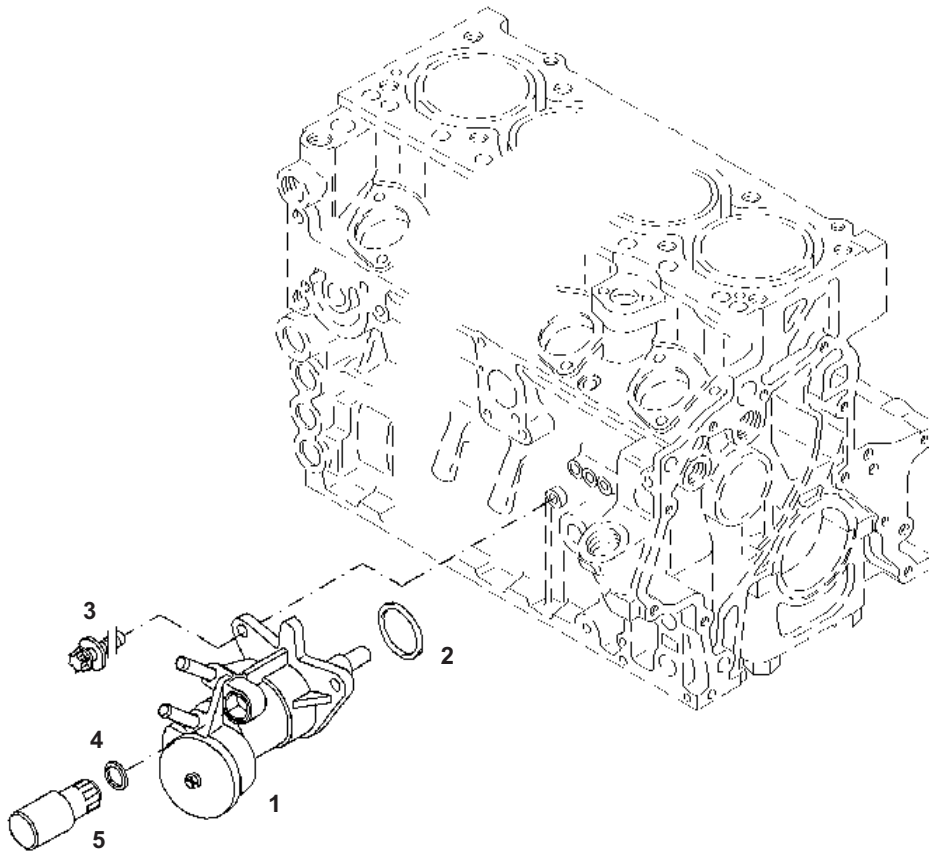
Page Updated 17 August 2007

Ref No.	Part No.	Description	Quantity			
			F3M	F4M	BF3M	BF4M
		ENGINE SN 882468 - 946072	-	-	-	-
1A	190379	PUMP/FUEL INJECTION	-	-	-	1
B	190380	PUMP/FUEL INJECTION	-	-	-	1
C	190381	PUMP/FUEL INJECTION	-	-	-	1
D	190382	PUMP/FUEL INJECTION	-	-	-	1
		ENGINE SN 946073 - 10022185	-	-	-	-
1A	190383	PUMP/FUEL INJECTION	1	1	-	-
B	190384	PUMP/FUEL INJECTION	1	1	-	-
C	190385	PUMP/FUEL INJECTION	1	1	-	-
D	190386	PUMP/FUEL INJECTION	1	1	-	-
		ENGINE SN 949589 - 10045201	-	-	-	-
1A	190375	PUMP/FUEL INJECTION	-	-	1	1
B	190376	PUMP/FUEL INJECTION	-	-	1	1
C	190377	PUMP/FUEL INJECTION	-	-	1	1
D	190378	PUMP/FUEL INJECTION	-	-	1	1
		ENGINE SN 10033029 and Later	-	-	-	-
1A	192779	PUMP/FUEL INJECTION	-	1	-	-
B	192780	PUMP/FUEL INJECTION	-	1	-	-
C	192781	PUMP/FUEL INJECTION	-	1	-	-
D	192782	PUMP/FUEL INJECTION	-	1	-	-
		ENGINE SN 10045202 and Later	-	-	-	-
1A	192720	PUMP/FUEL INJECTION	-	-	1	1
B	192721	PUMP/FUEL INJECTION	-	-	1	1
C	192722	PUMP/FUEL INJECTION	-	-	1	1
D	192723	PUMP/FUEL INJECTION	-	-	1	1

Be sure to check engine serial number before ordering injection pumps.

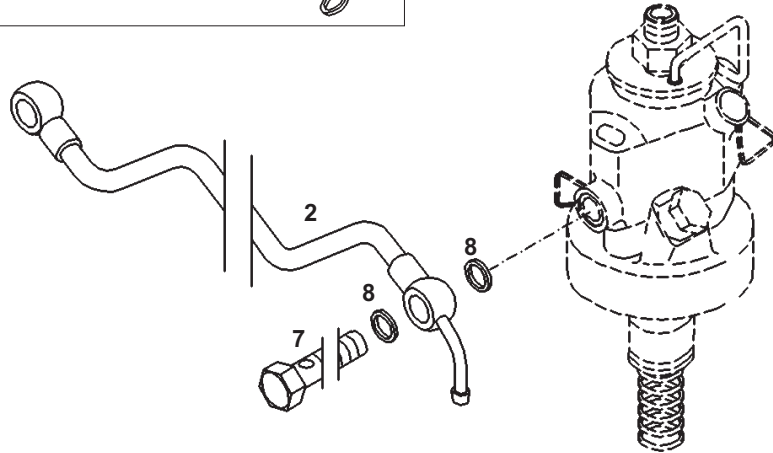
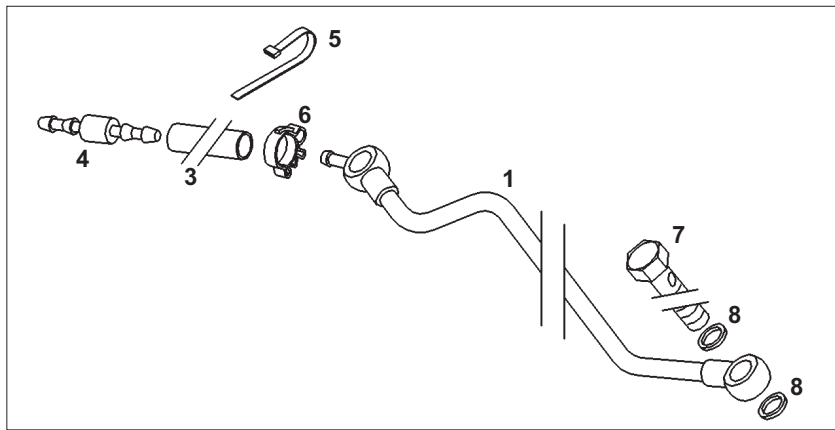


Ref No.	Part No.	Description	Quantity	
			F3M/BF3M	F4M/BF4M
1	187182	INJECTOR/FUEL	3	4
2	187183	RING/SEALING	3	4
3	187184	CLAW	3	4
4	187185	BOLT/HEX	3	4
5	187186	ELEMENT/NOZZLE	3	4

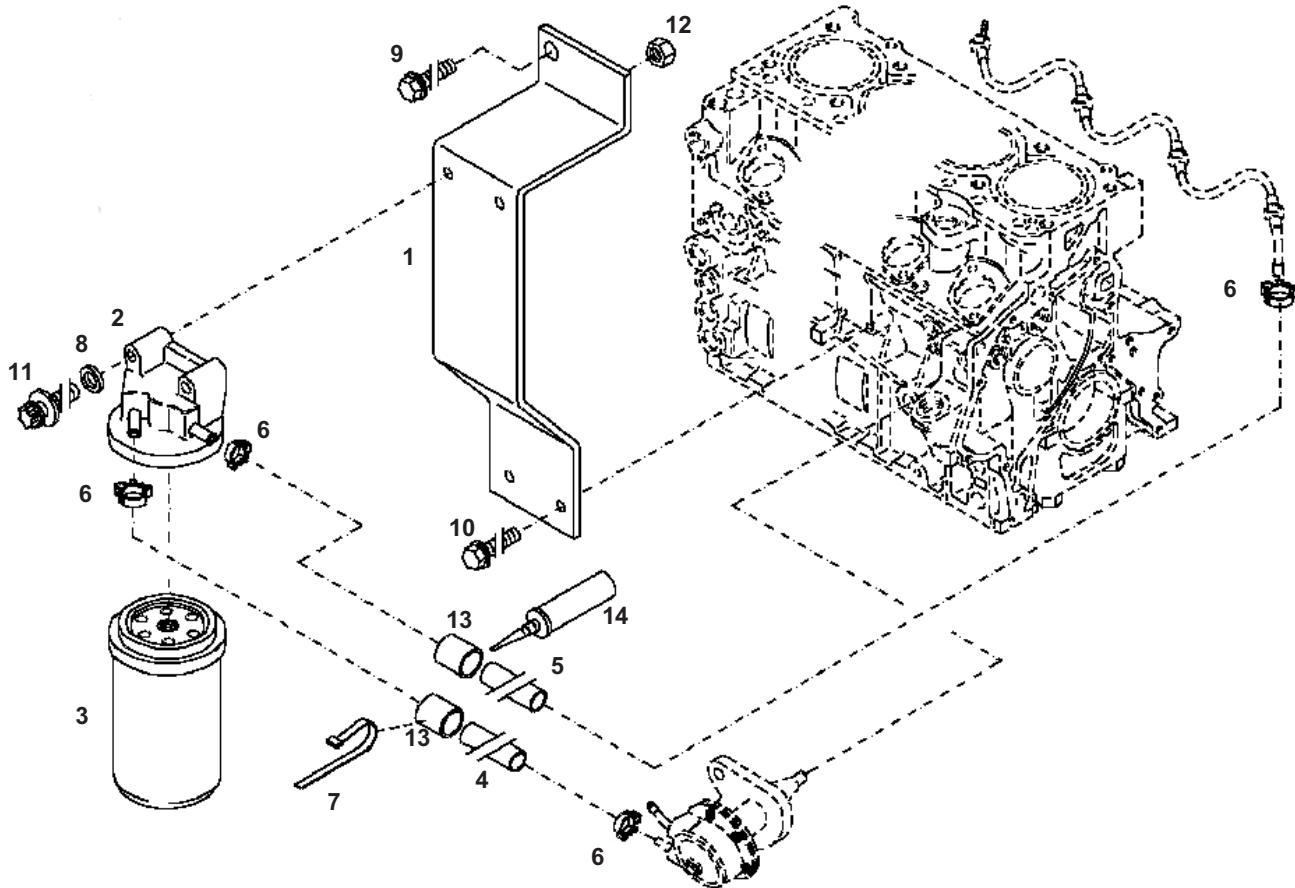


Ref No.	Part No.	Description	Quantity
1	187110	PUMP/FUEL SUPPLY	1
	194452a	PUMP/FUEL SUPPLY	1
2	133218	O-SEAL	1
3	187233	BOLT/TORX HEAD	2
4	194453	RING/SEALING	1
5	194454	PUMP/HAND	1

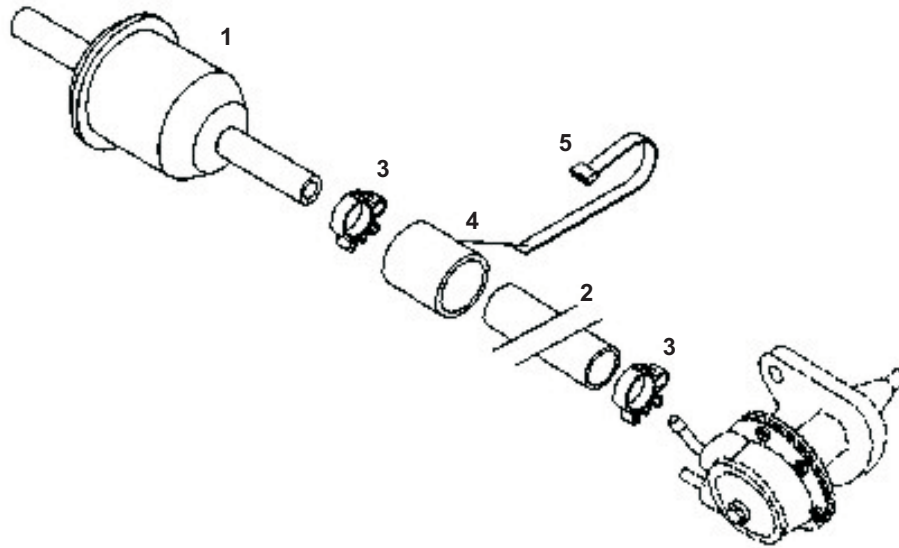
a.) Be sure to check engine serial number to make sure correct part is ordered.



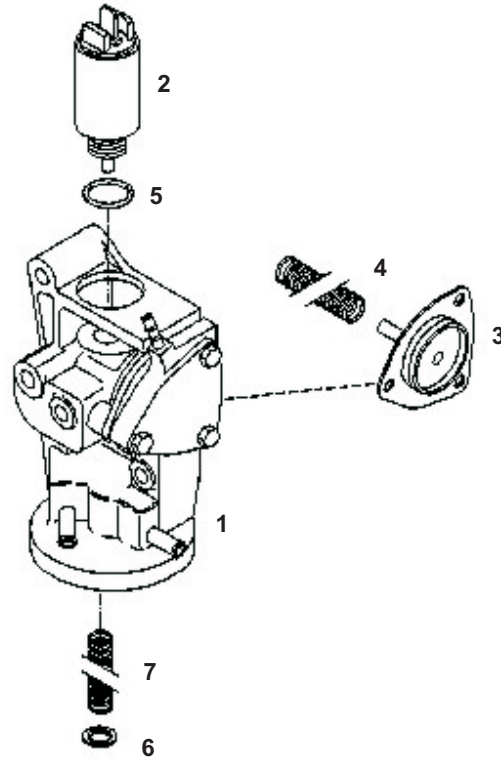
Ref No.	Part No.	Description	Quantity	
			F3M/BF3M	F4M/BF4M
1	187195	LINE/FUEL	1	-
	190358	LINE/FUEL	-	1
2	187188	LINE/FUEL	1	-
	190359	LINE/FUEL	-	1
3	187196	HOSE/RUBBER	1	1
4	187197	PIECE/CONNECTING	1	1
5	187252	BAND/CLAMPING	1	1
6	133243	CLIP/HOSE	1	1
7	133141	SCREW/HOLLOW	6	8
8	187511	RING/SEALING	12	16



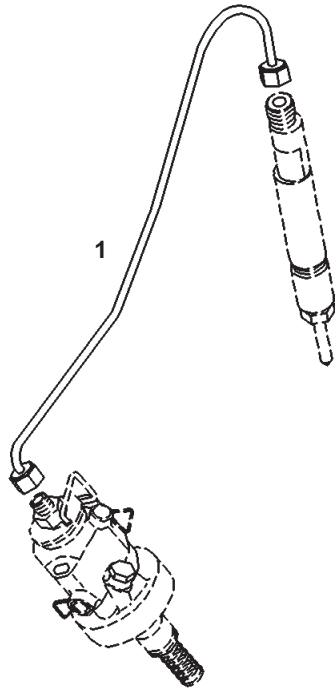
Ref No.	Part No.	Description	Quantity
1	187191	BRACKET	1
2	133429	BRACKET	1
3	132024	FILTER/SPIN-ON FUEL	1
4	187171	HOSE/RUBBER	1
5	187172	HOSE/RUBBER	1
6	133243	CLIP/HOSE	4
7	187173	BAND/CLAMPING	2
8	187174	WASHER/PLAIN	1
9	187175	BOLT/HEX	1
10	187176	BOLT/HEX	2
11	187229	BOLT/TORX-HEAD	2
12	187177	NUT/HEX	2
13	190356	HOSE	1
14	194281	DEVICE/MOUNTING	1



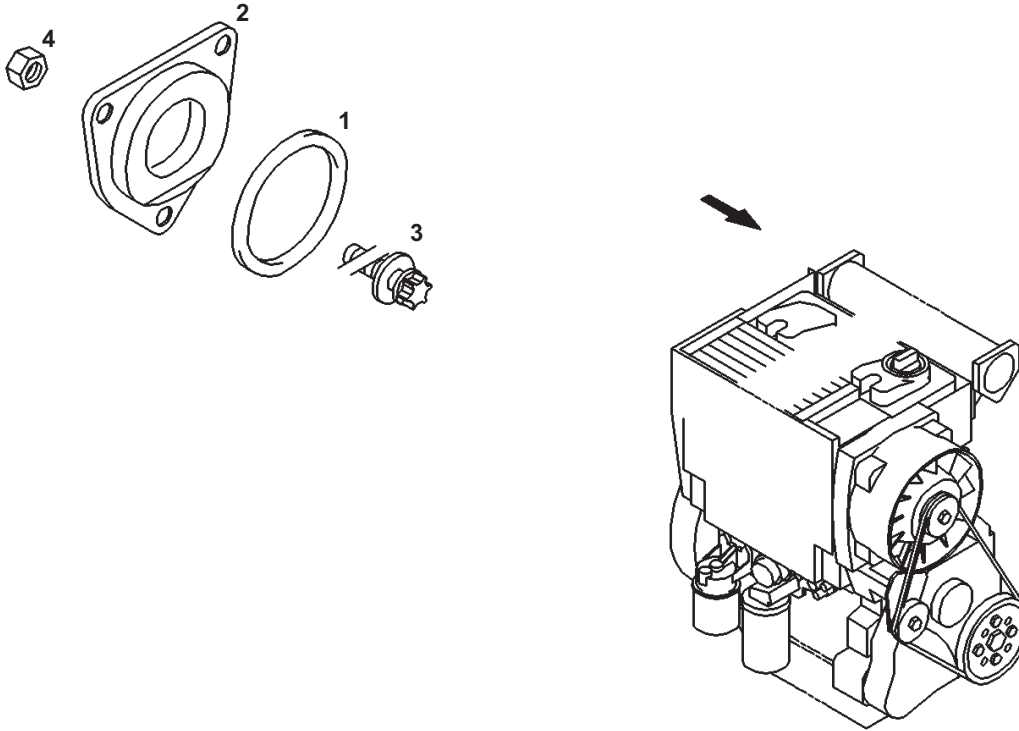
Ref No.	Part No.	Description	Quantity BF4M/BF3M/F3M
1	190355	FILTER/FUEL	1
2	190357	HOSE/RUBBER	1
3	133243	CLIP/HOSE	2
4	190356	HOSE	1
5	187173	BAND/CLAMPING	1



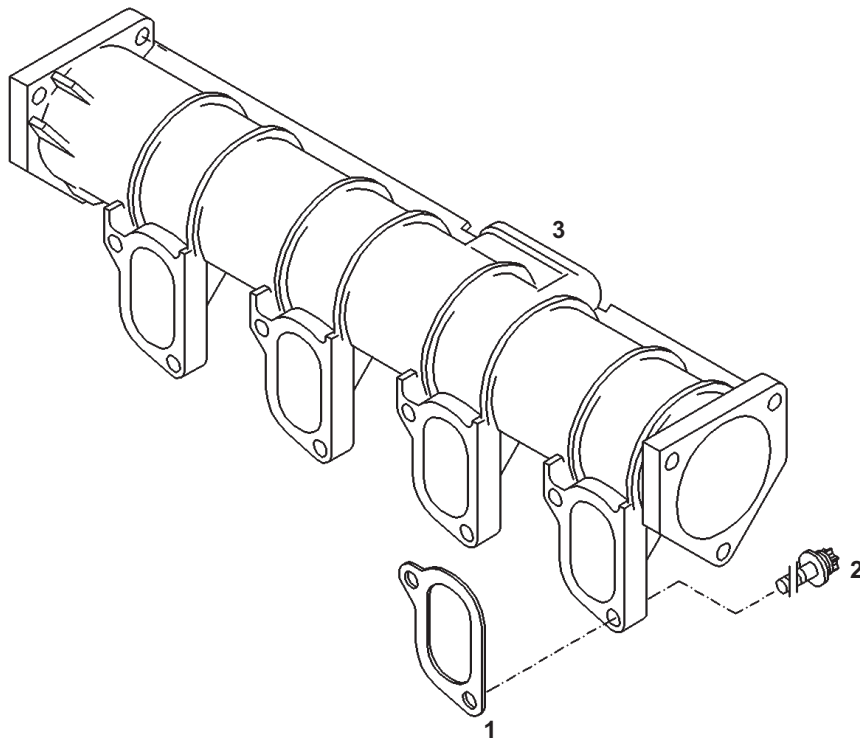
Ref No.	Part No.	Description	Quantity BF4M
1	190341	CONTROL/BOOST	1
2	187283	SOLENOID	1
3	190342	CUP/DIAPHRAGM	1
4	190344	SPRING/COMPRESSION	1
5	187285	O-SEAL	1
6	190343	RING/SEALING	1
7	190345	SPRING/TENSION	1



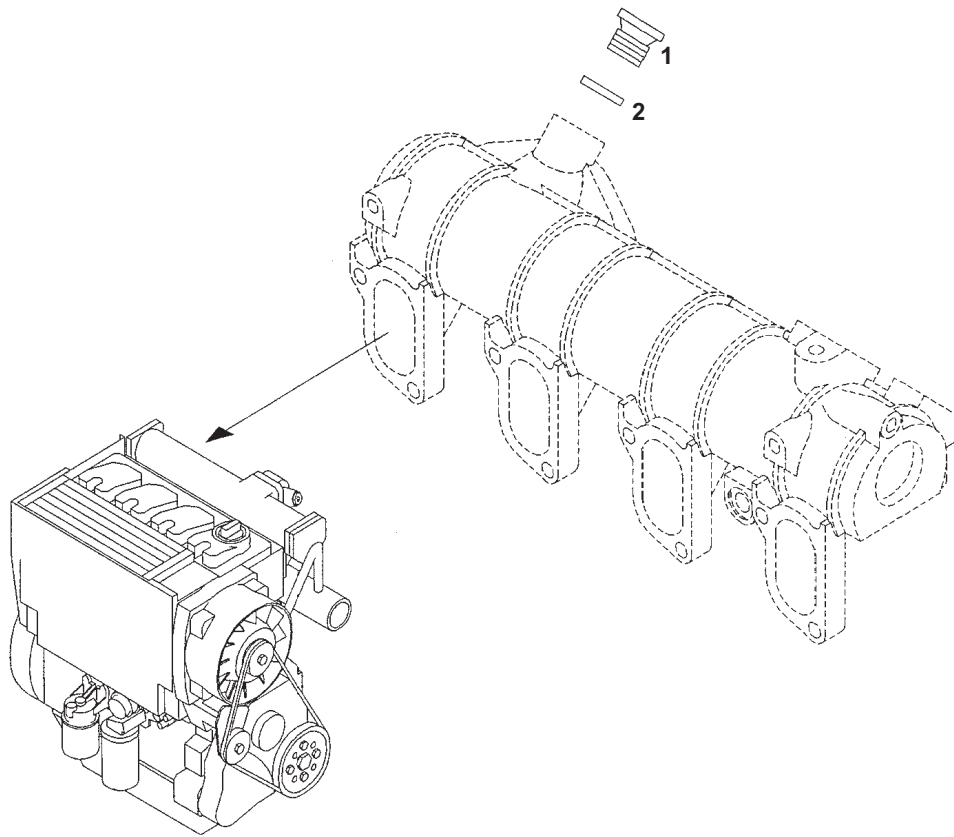
Ref No.	Part No.	Description	Quantity	
			F3M/BF3M	F4M/BF4M
1	187190	PIPE/HIGH PRESSURE	3	4



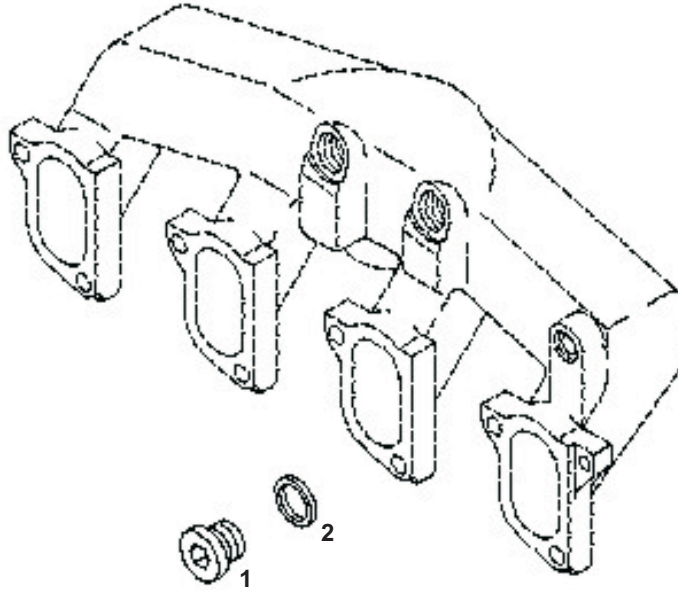
Ref No.	Part No.	Description	Quantity
1	187250	O-SEAL	1
2	187199	FLANGE	1
3	187248	BOLT/TORX-HEAD	1
4	133126	NUT/HEX	1



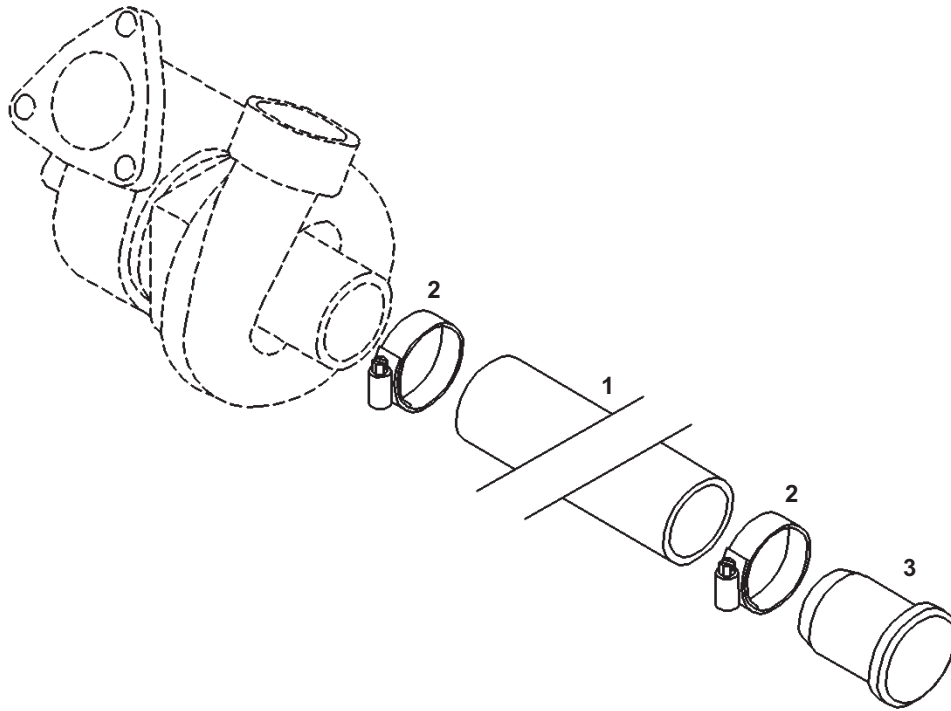
Ref No.	Part No.	Description	Quantity	
			F3M	F4M
1	133463	GASKET	3	4
2	135500	BOLT/TORX-HEAD	6	8
3	187166	INTAKE/MANIFOLD	-	1
	187167	INTAKE/MANIFOLD	1	-



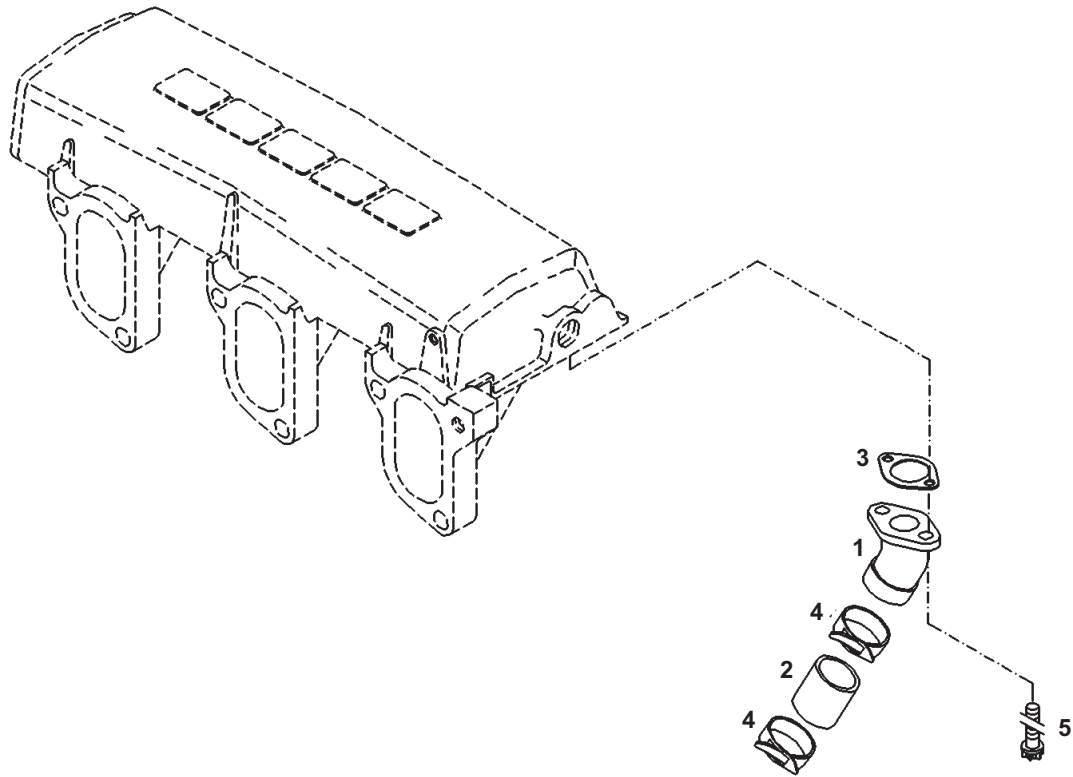
Ref No.	Part No.	Description	Quantity
1	133168	PLUG/SCREW	1
2	133138	RING/SEALING	1



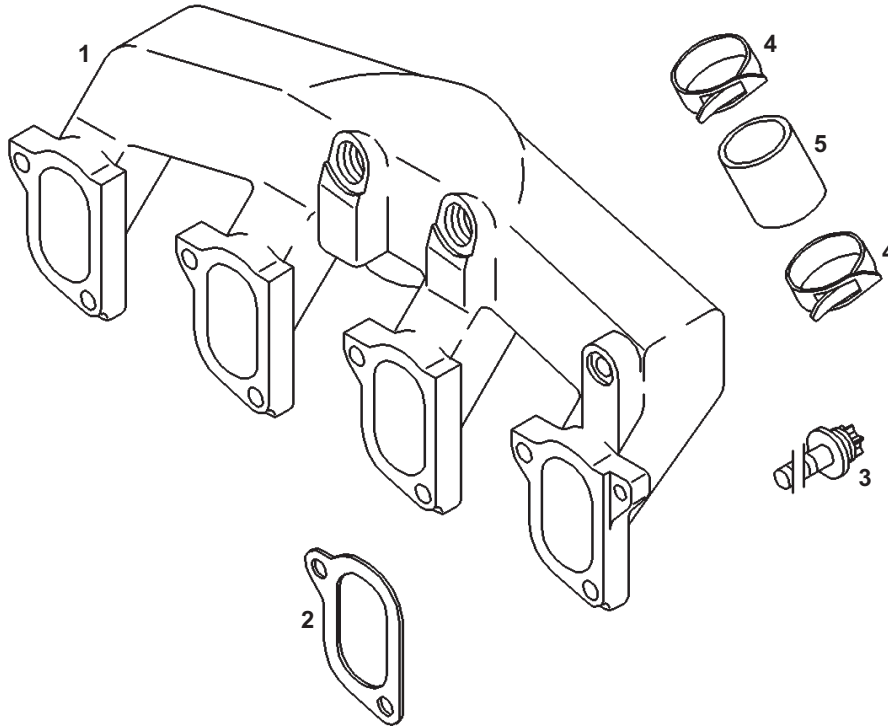
Ref No.	Part No.	Description	Quantity BF4M
1	133147	PLUG/SCREW	1
2	133131	RING/SEALING	1



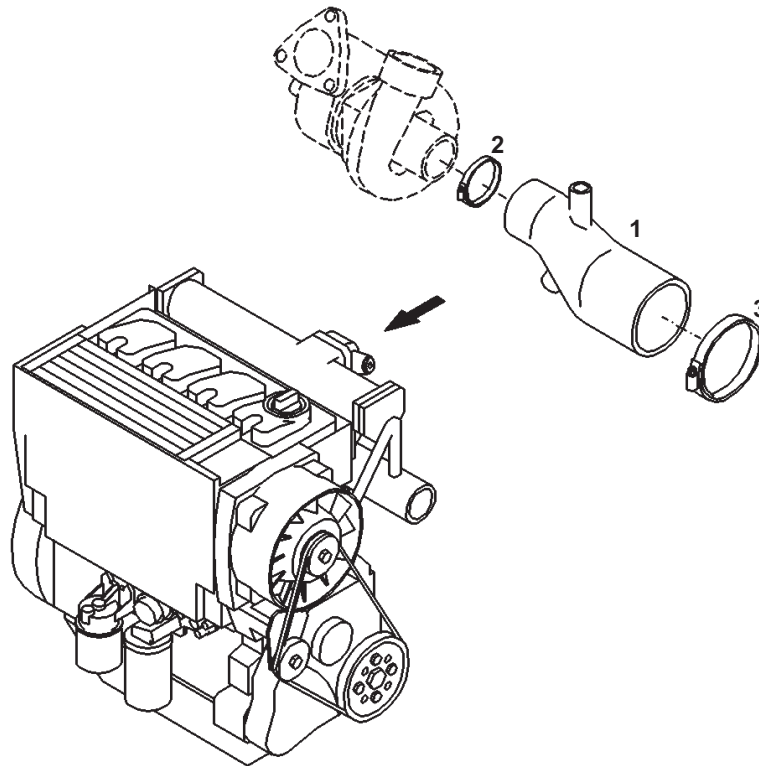
Ref No.	Part No.	Description	Quantity BF3M
1	133529	SLEEVE/RUBBER	1
2	133200	CLIP/HOSE	2
3	133549	PLUG	1



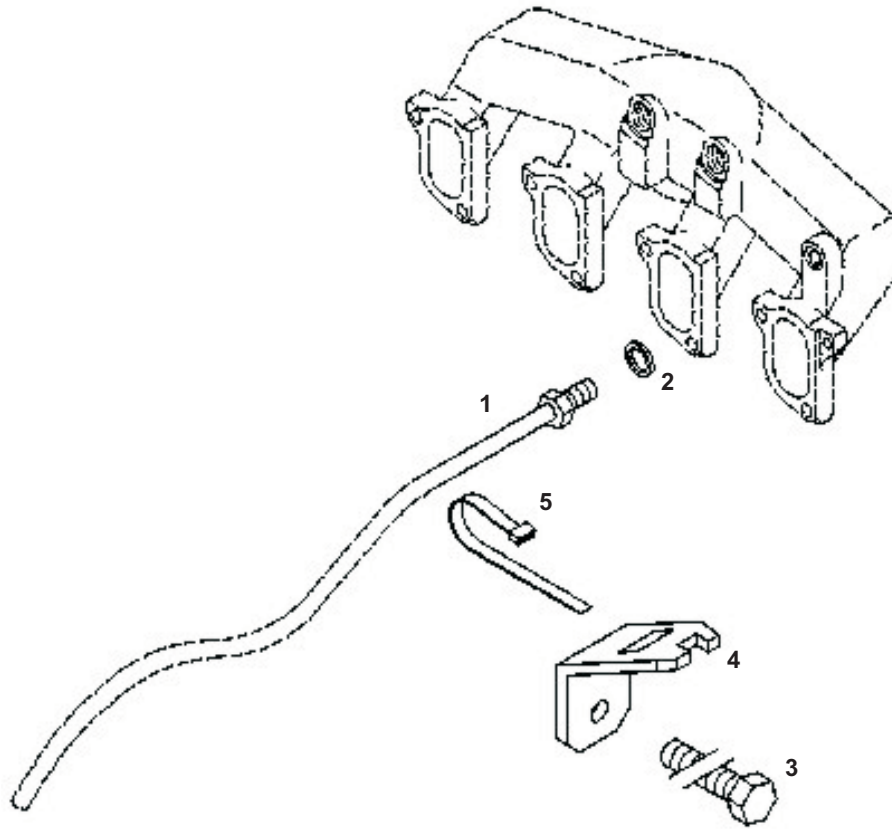
Ref No.	Part No.	Description	Quantity BF3M
1	187163	ELBOW/CHARGE AIR	1
2	187254	SLEEVE/RUBBER	1
3	187162	GASKET	1
4	133214	CLAMP/SPRING BAND	2
5	187226	BOLT/TORX-HEAD	2



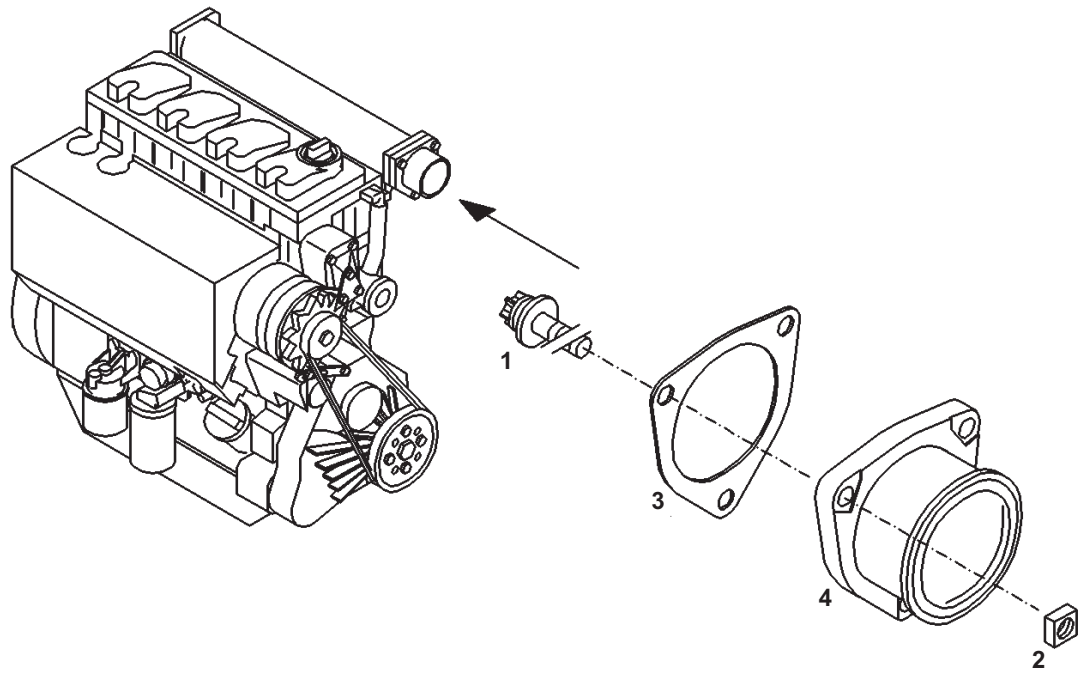
Ref No.	Part No.	Description	Quantity	
			BF3M	BF4M
1	187103	PIPE/CHARGE AIR	1	-
	133485	PIPE/SUCTION	-	1
2	133463	GASKET	3	4
3	187231	BOLT/TORX-HEAD	6	8
4	133214	CLAMP/SPRING BAND	-	2
5	133201	SLEEVE/RUBBER	-	1



Ref No.	Part No.	Description	Quantity BF4M
1	133577	REDUCER	1
2	133200	CLIP/HOSE	1
3	133190	CLIP/HOSE	1



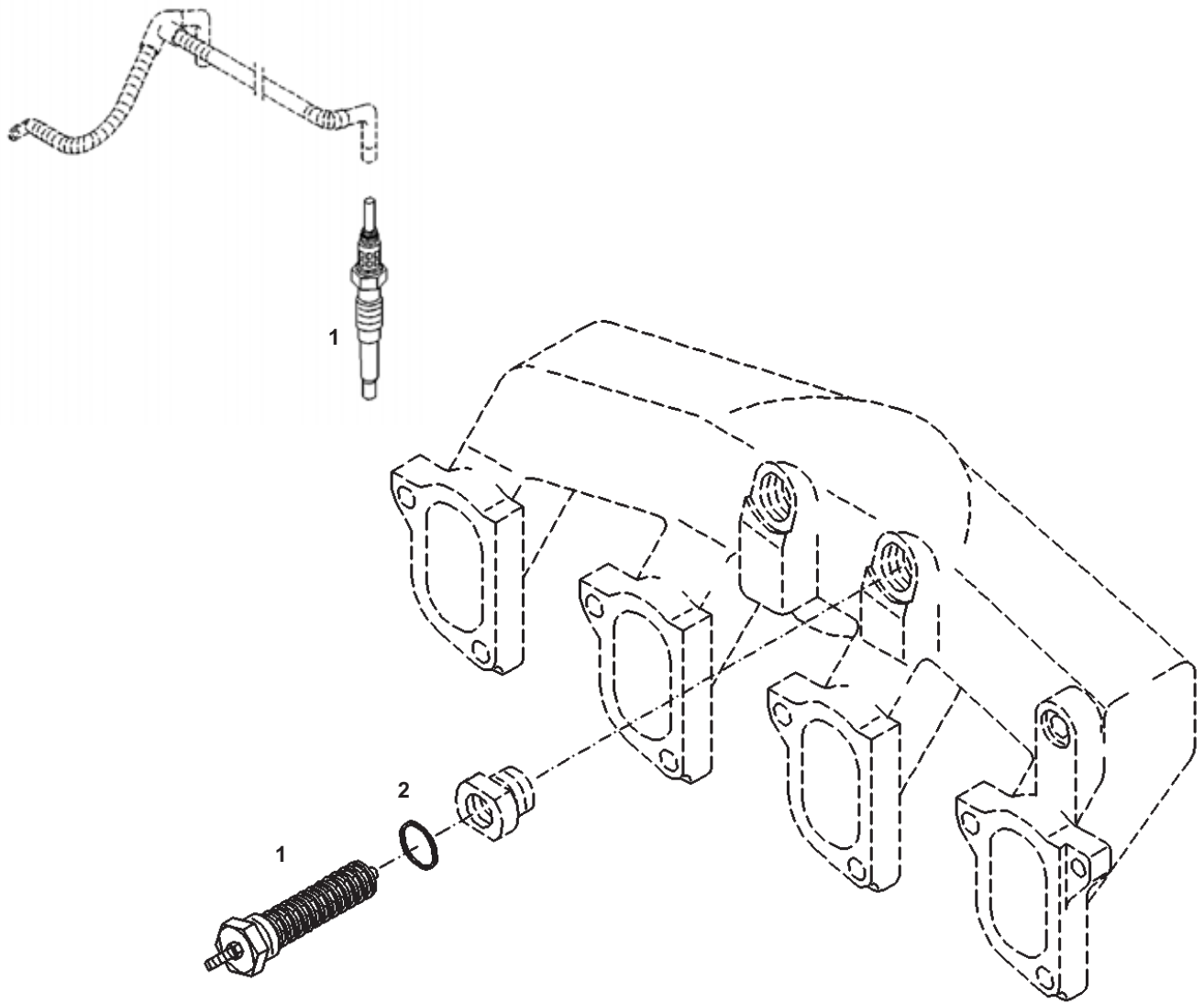
Ref No.	Part No.	Description	Quantity
1	190360	ASSEMBLY/HOSE	1
2	187282	RING/SEALING	1
3	190361	BOLT/HEX	1
4	190362	BRACKET	1
5	187173	BAND/CLAMPING	1



Ref No.	Part No.	Description	Quantity F3M/F4M
1	133229	BOLT/TORX-HEAD	3
2	133115	NUT/SQUARE	3
3	133331	GASKET	1
4	133593	NIPPLE/HOSE	1

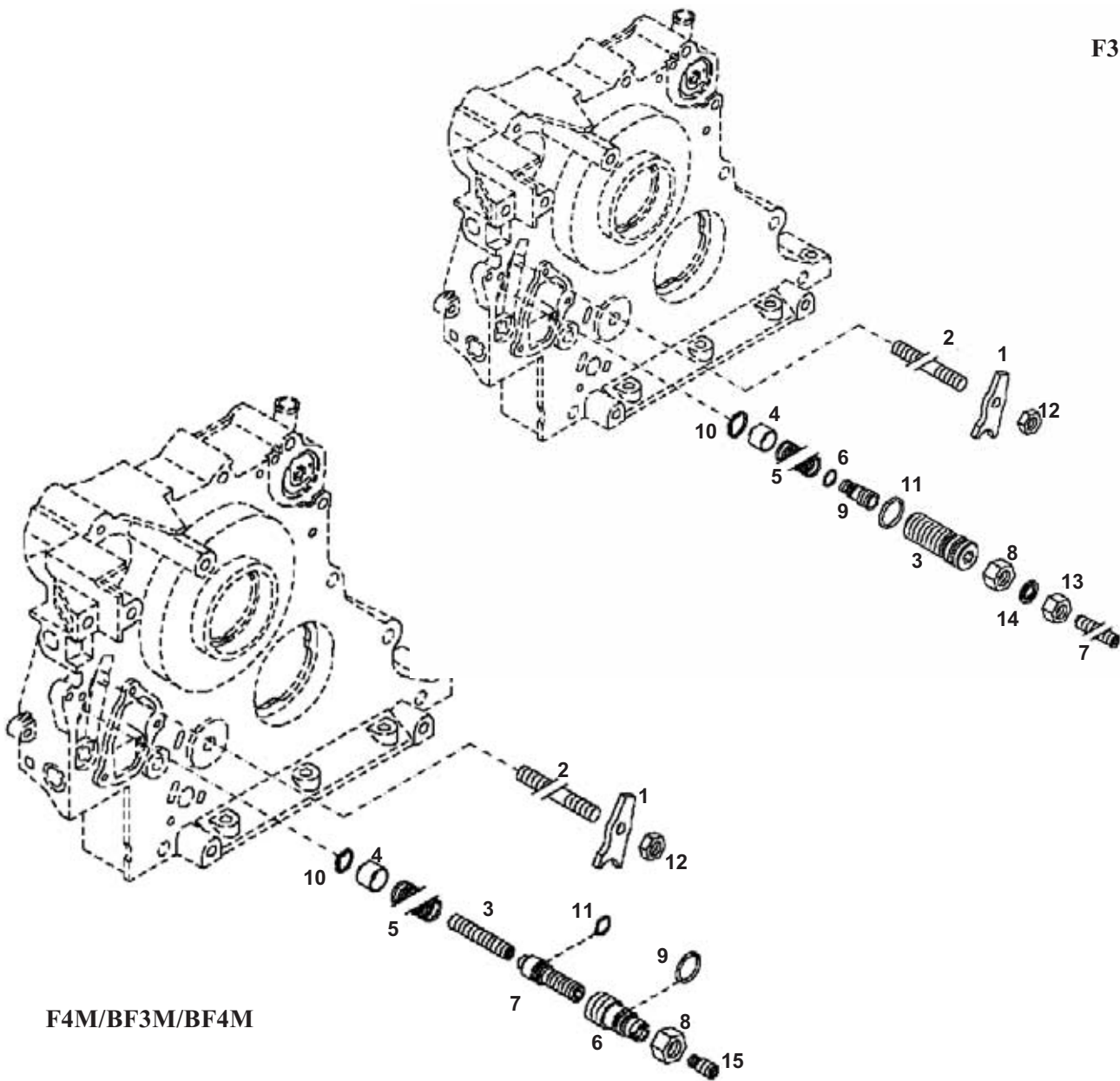


Ref No.	Part No.	Description	Quantity	
			BF3M	BF4M
1	187112	TURBOCHARGER	1	-
	187154	TURBOCHARGER	-	1

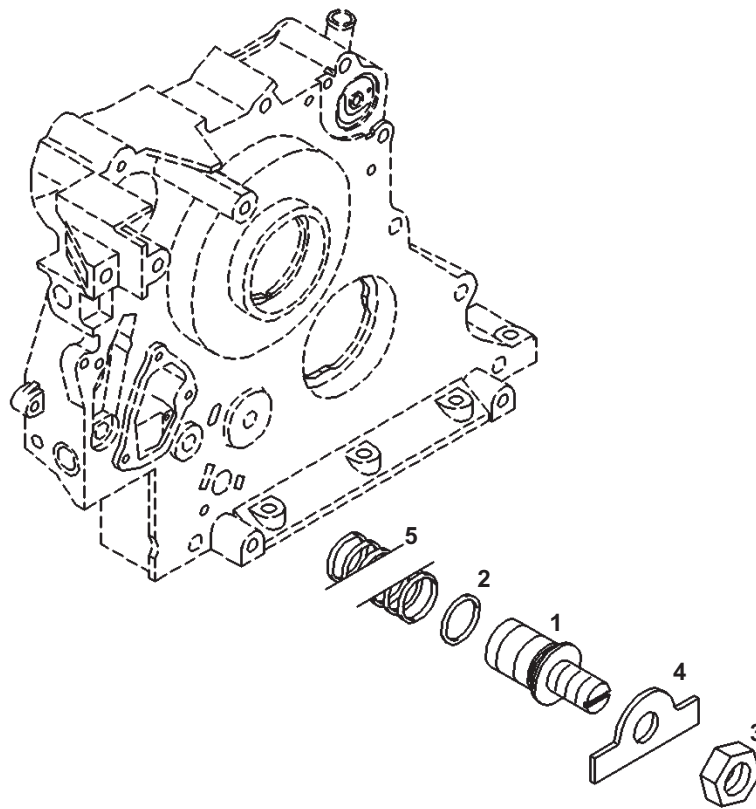


Ref No.	Part No.	Description	Quantity	
			F3M	BF3M/F4M/BF4M
1	133215	PLUG/GLOW	1	-
	193269	PLUG/GLOW	-	1
2	133138	RING/SEALING	1	1

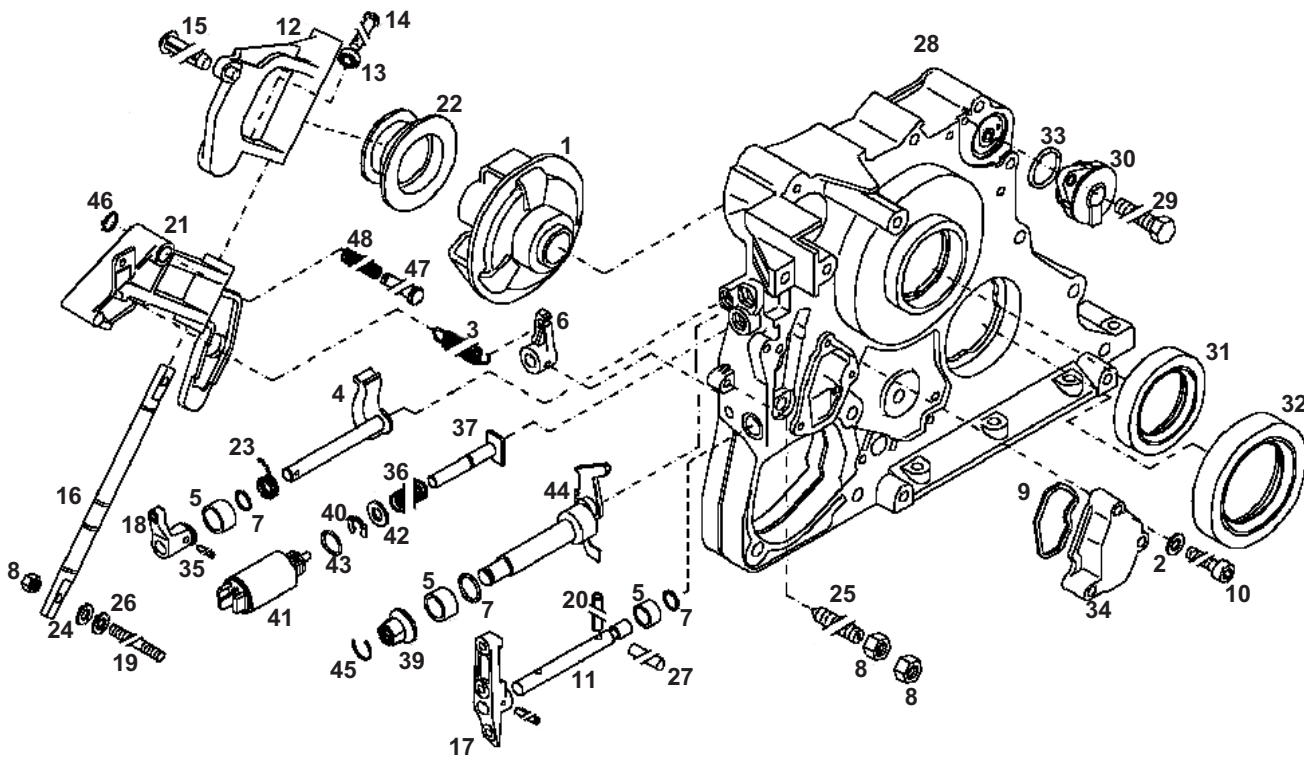
F3M



Ref No.	Part No.	Description	Quantity			
			F3M	F4M	BF3M	BF4M
1	133377	CLAW	1	1	1	1
2	133175	STUD	1	1	1	1
3	187238	SCREW/SETTING	1	-	-	-
	194293	SCREW/SETTING	-	1	1	1
4	133506	STOP/LIMIT	1	1	1	1
5	133384	SPRING/COMPRESSION	1	1	1	1
6	187241	SCREW/ADJUSTING	1	1	1	1
7	133171	SCREW/SET	1	-	-	-
	194294	SCREW/SET	-	1	1	1
8	133334	NUT/HEX	1	1	1	1
9	187242	O-SEAL	1	1	1	1
10	133114	CIRCLIP	1	1	1	1
11	187244	O-SEAL	1	1	1	1
12	133127	NUT/HEX	1	1	1	1
13	133124	NUT/HEX	1	1	-	-
14	133226	RING/SEALING	1	1	-	-
15	194295	SETSCREW	-	1	1	1



Ref No.	Part No.	Description	Quantity
1	135510	CAPSULE	1
2	135499	O-SEAL	1
3	133127	NUT/HEX	1
4	135512	WASHER/PLAIN	1
5	187212	SPRING/COMPRESSION	1

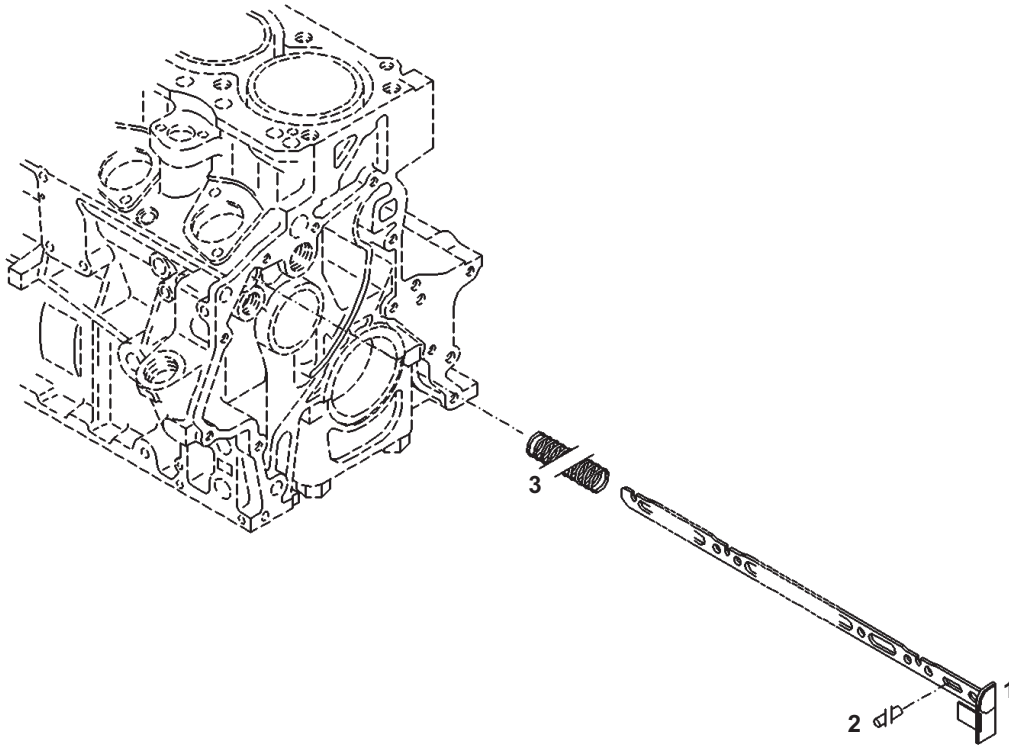


Parts Listing On Next Page

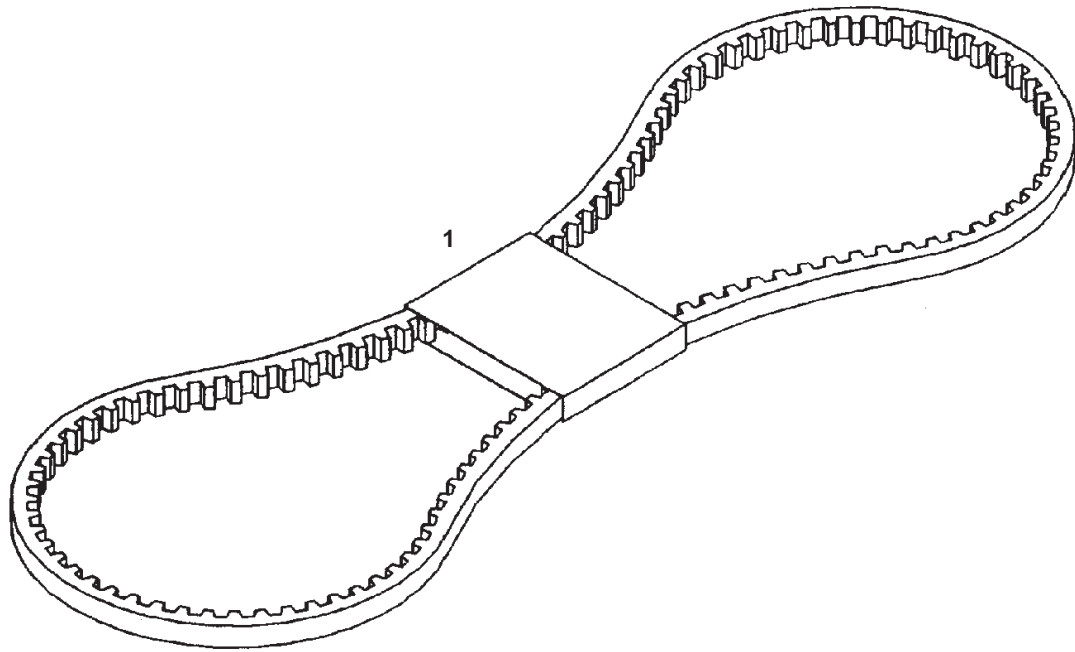
Ref No.	Part No.	Description	Quantity	
			F3M/BF3M	F4M/BF4M
1	187253	UNIT/METERING	1	1
2	135491	WASHER/PLAIN	3	3
3	187198	SPRING/TENSION	1	-
	133570a	SPRING/TENSION	-	1
	194342a	SPRING/TENSION	-	1
4	187259	SHAFT/LEVER	1	1
5	133393	SLEEVE	3	3
6	133395	ARM/LEVER	1	1
7	133247	O-SEAL	2	2
8	187267	NUT/HEX	4	4
9	133431	WASHER/PROFILE	1	1
10	133241	SCREW/CHEESE HEAD	3	3
11	187138	SHAFT/LEVER	1	1
12	133412	LEVER/ROLLER	1	1
13	133152	BEARING/BALL	2	2
14	133246	PIN/CLEVIS	2	2
15	133129	NAIL/NOTCHED	1	1
16	133406	AXLE	1	1
17	133464	ARM/LEVER	1	1
18	187260	LEVER/CLUTCH	1	1
19	187261	STUD	2	2
20	133130	PIN/STRAIGHT	2	2
21	187265	ARM/LEVER	1	1
22	133497	SLEEVE	1	1
23	187268	SPRING/TORSION	1	1
24	133351	WASHER/PLAIN	3	3
25	133174	SCREW/SET	1	1
26	133262	WASHER/PLAIN	2	2
27	187269	PIN/PARALLEL	1	1
28	187270	COVER/FRONT	1	1
29	133163	BOLT/HEX	1	1
30	187187	VALVE/BREATHER	1	1
31	133389	SEAL/ROTATING SHAFT LIP	1	1
32	133388	SEAL/ROTATING SHAFT LIP	1	1
33	187223	O-SEAL	1	1
34	133435	COVER	1	1
35	187272	PIN/STRAIGHT	1	1
36	187273	SPRING/COMPRESSION	1	1
37	187274	RAM/COMPRESSION	1	1
38	187275	WASHER/PLAIN	1	1
39	187277	NUT/HEX	1	1
40	187279	WASHER/RETAINING	1	1
41	187283	SOLENOID	1	1
42	187284	WASHER/PLAIN	1	1
43	187285	O-SEAL	1	1
44	187286	LEVER/REVERSING	1	1
45	187287	RING/HALF-MOON	1	1
46	194289	CIRCLIP	1	1
47	194290	PIN/STOP	1	1
48	194291	SPRING/COMPRESSION	1	1

a) To identify the correct item, contact customer service and provide the engine serial number.

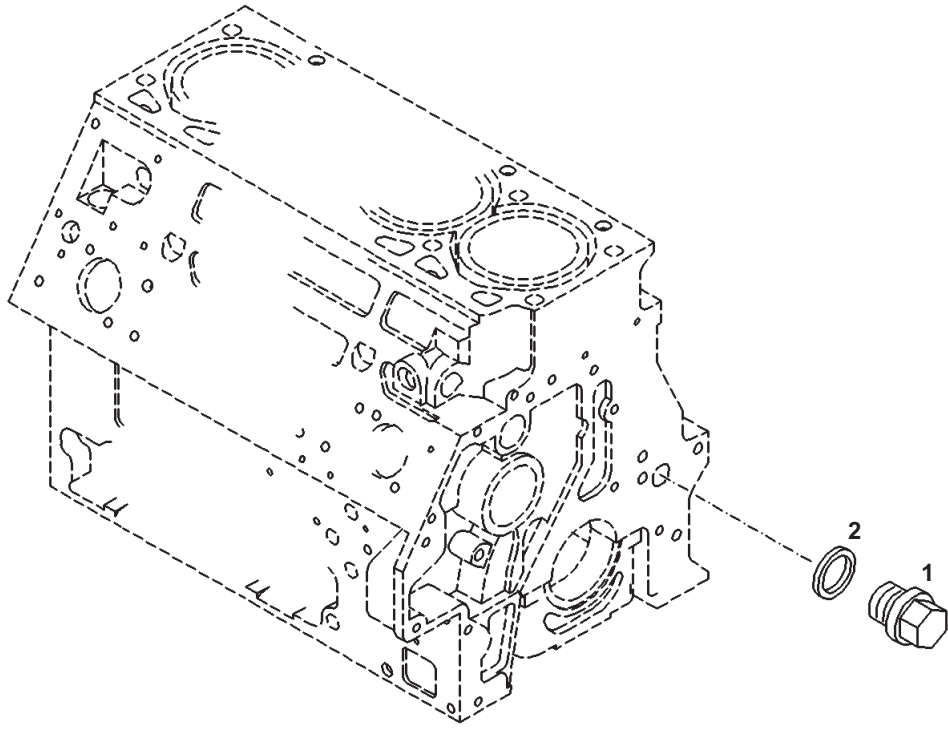
This Page Updated 21 Sept 07



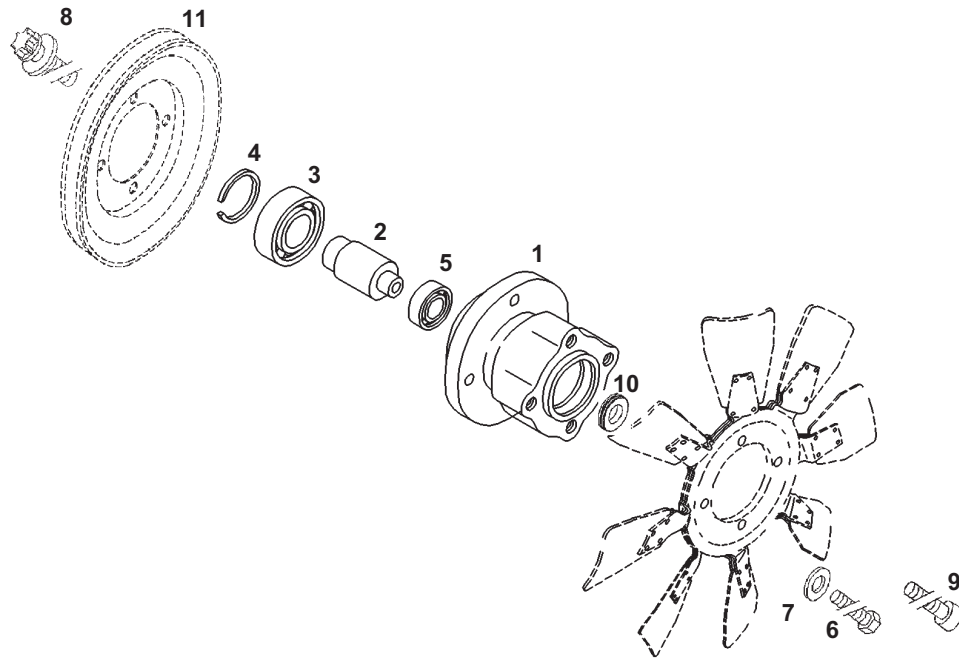
Ref No.	Part No.	Description	Quantity	
			F3M/BF3M	F4M/BF4M
1	135527	ROD/CONTROL	1	-
	133578	ROD/CONTROL	-	1
2	133396	PIN/LOCATING	1	1
3	133360	SPRING/COMPRESSION	1	1



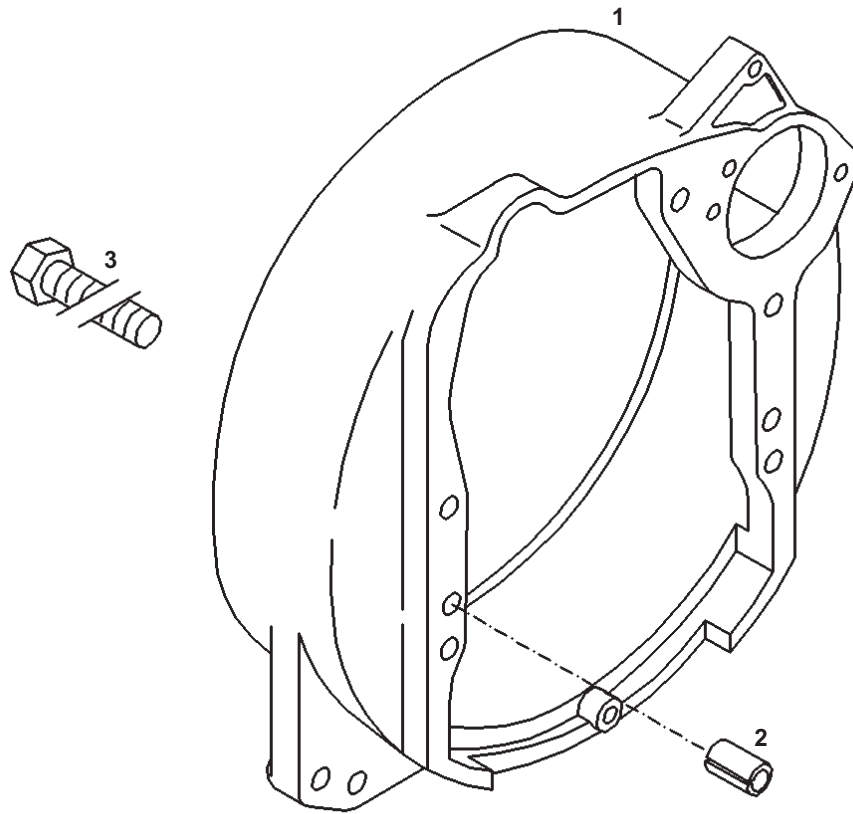
Ref No.	Part No.	Description	Quantity
1	132989	V-BELT/NARROW	1



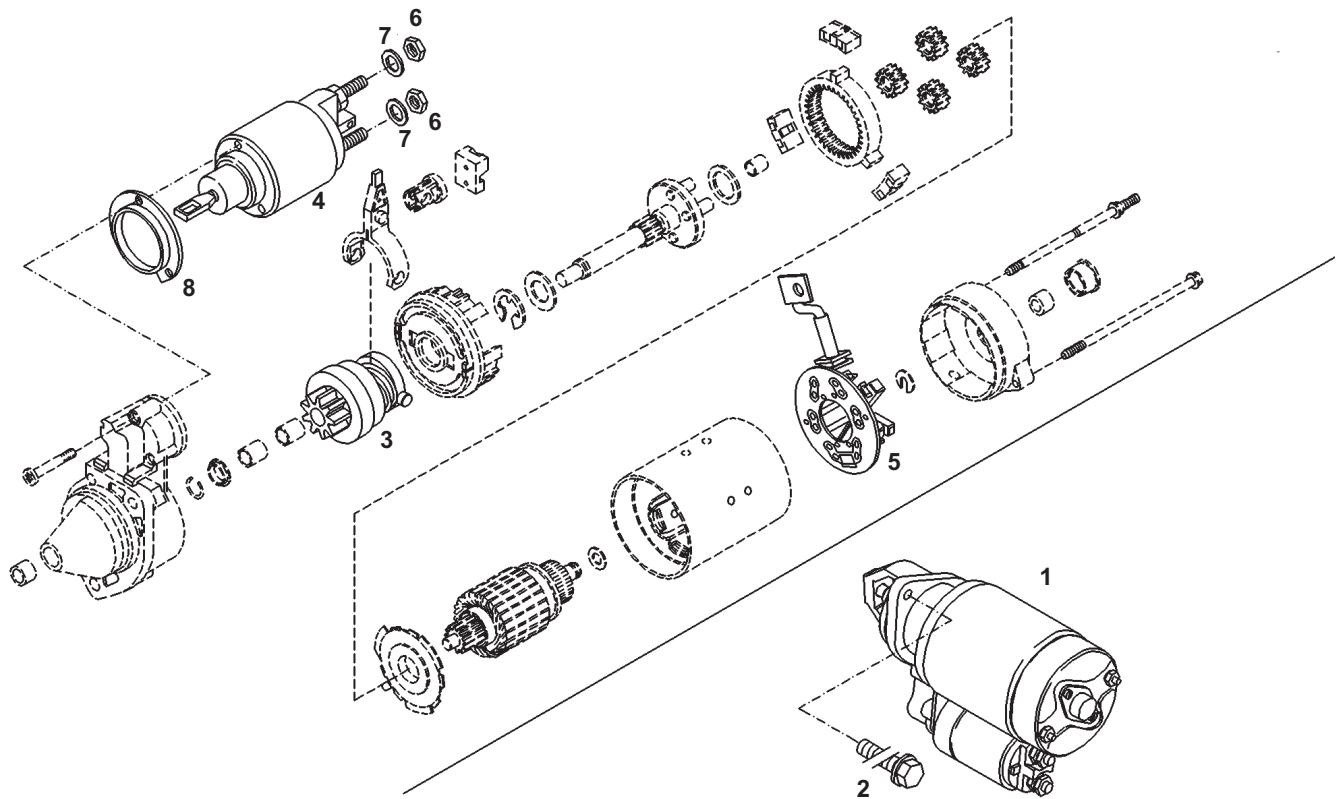
Ref No.	Part No.	Description	Quantity
1	133149	PLUG/SCREW	1
2	133137	RING/SEALING	1



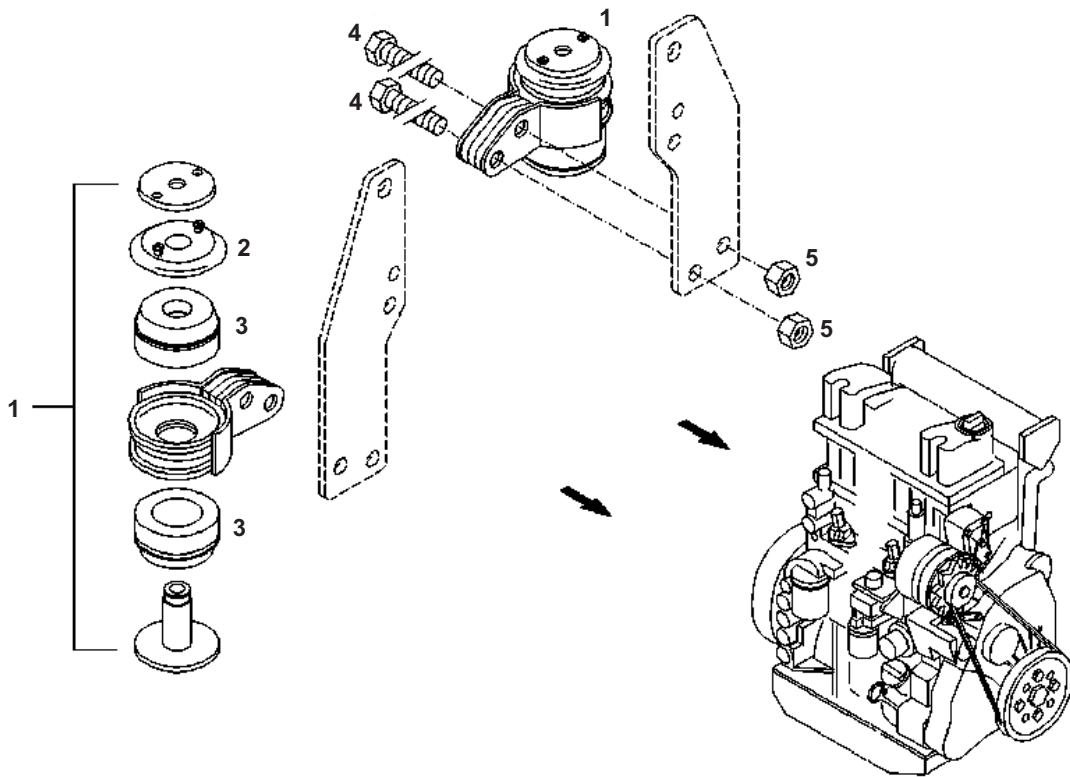
Ref No.	Part No.	Description	Quantity
1	135538	SUPPORT/FAN	1
2	133502	SHAFT	1
3	133156	BEARING/BALL	1
4	133187	CIRCLIP	1
5	133255	BEARING/BALL	1
6	135493	BOLT/HEX	4
7	133173	WASHER/PLAIN	4
8	187234	BOLT/TORX-HEAD	4
9	133177	SCREW/SOCKET	1
10	187256	WASHER/PLAIN	1
11	133365	PULLEY/V-GROOVED	1



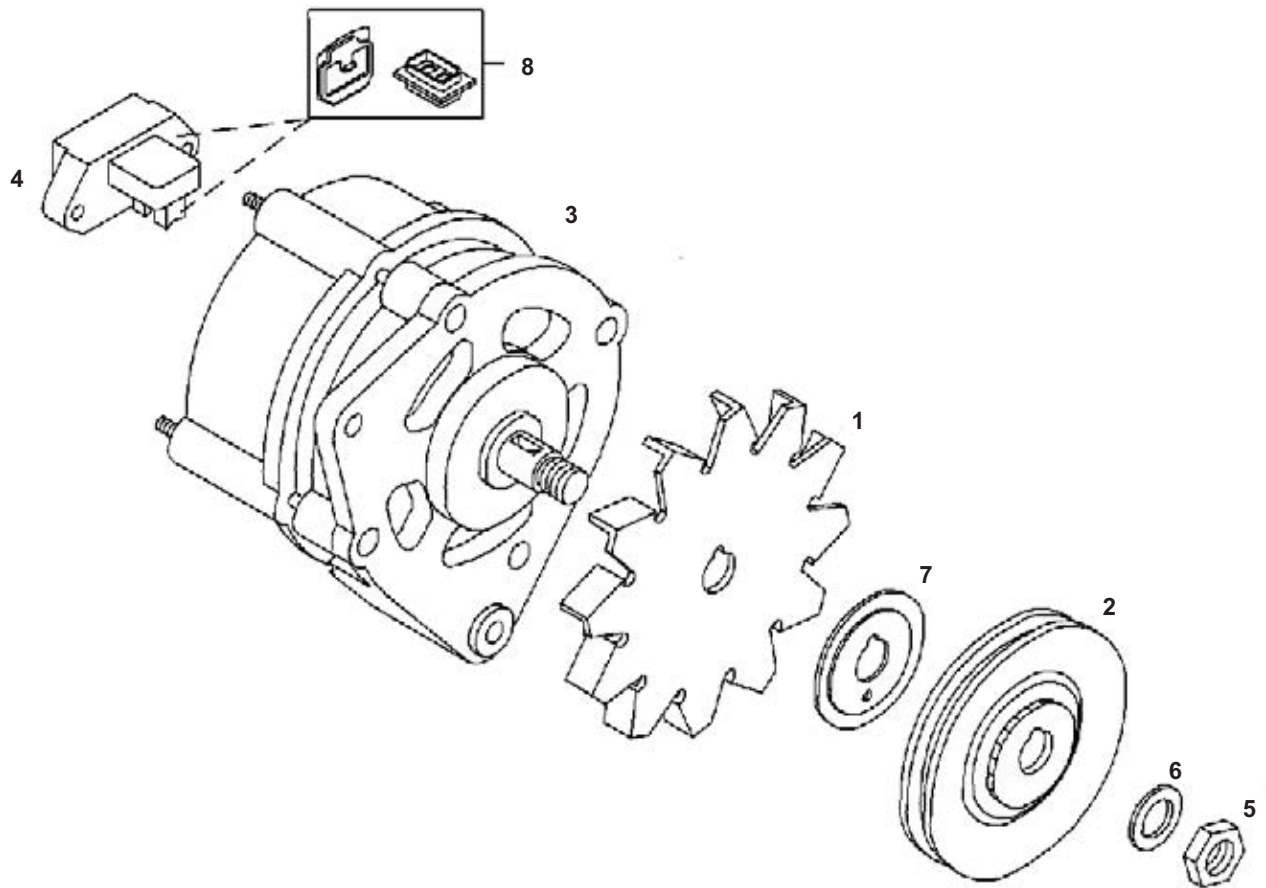
Ref No.	Part No.	Description	Quantity
1	135537	HOUSING/ADAPTER	1
2	133329	BUSH/CLAMPING	2
3	133110	BOLT/HEX	4



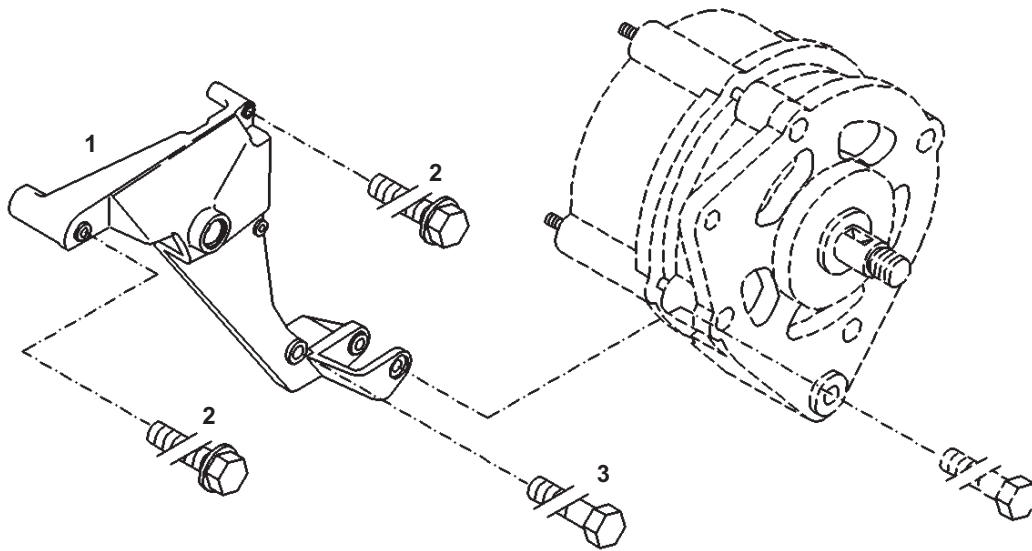
Ref No.	Part No.	Description	Quantity
1	138859	STARTER	1
2	187239	BOLT/HEX	2
3	187213	PINION/STARTER	1
4	133301	RELAY	1
5	187216	HOLDER/BRUSH	1
6	187218	HEX/NUT	2
7	187214	WASHER/SPRING	2
8	187217	PLATE/COVERING	1



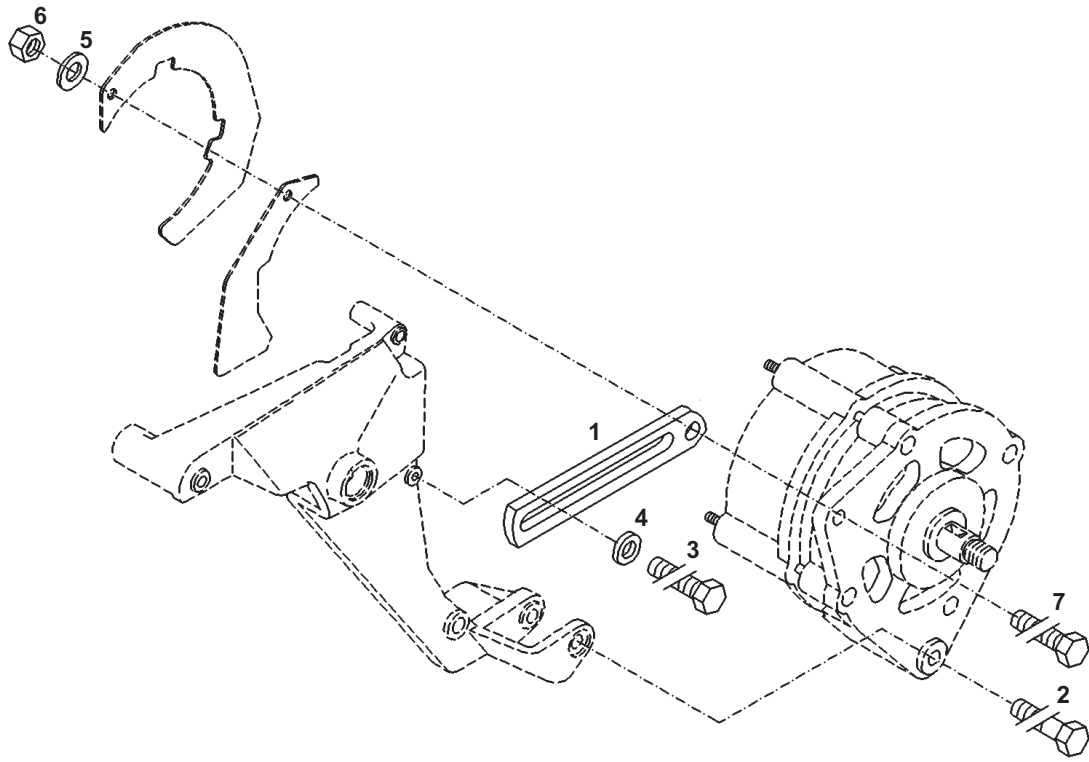
Ref No.	Part No.	Description	Quantity F3M/BF3M
1	194283	ASSEMBLY/MOUNTING FOOT	1
2	187215	COVER	1
3	187219	RING/RUBBER	1
4	194284	BOLT/HEX	4
5	194285	NUT/HEX	4



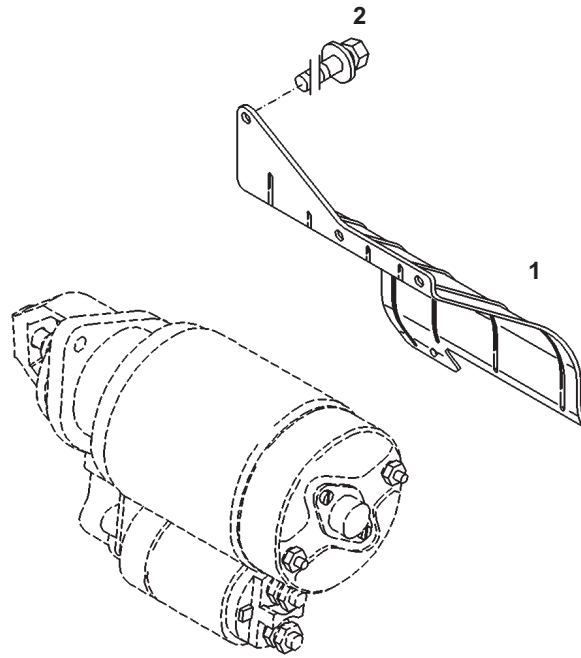
Ref No.	Part No.	Description	Quantity
1	133184	FAN	1
2	133208	PULLEY/V-GROOVED	1
3	140859	ALTERNATOR	1
4	133206	REGULATOR/VOLTAGE	1
5	133148	NUT/HEX	1
6	133111	WASHER/SPRING	1
7	133207	RING/SUPPORTING	1
8	194282	GASKET/SEAL	1



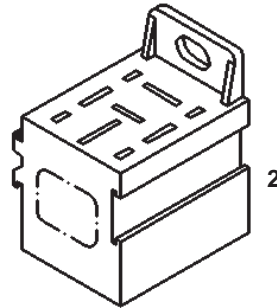
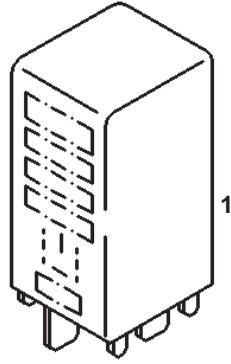
Ref No.	Part No.	Description	Quantity
1	133474	BRACKET	1
2	133252	BOLT/HEX	2
3	133169	BOLT/HEX	1



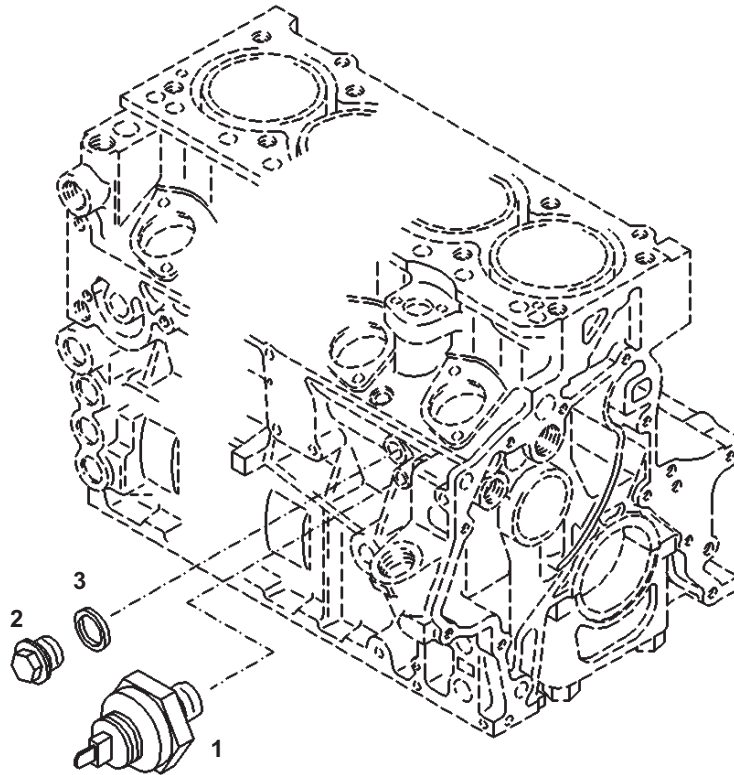
Ref No.	Part No.	Description	Quantity
1	133336	STRAP/CLAMPING	1
2	187503	BOLT/HEX	1
3	187504	BOLT/HEX	1
4	133260	WASHER/PLAIN	1
5	133173	WASHER/PLAIN	1
6	133126	NUT/HEX	1
7	187505	BOLT/HEX	1



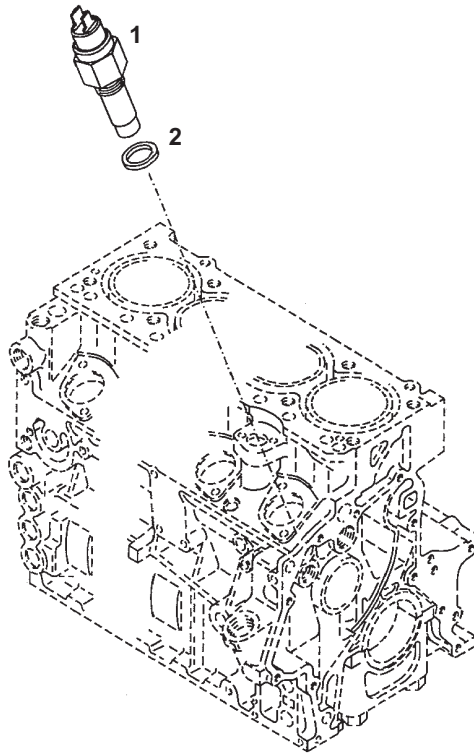
Ref No.	Part No.	Description	Quantity
1	135546	BAFFLE/COOLING AIR	1
2	187235	BOLT/HEX	3



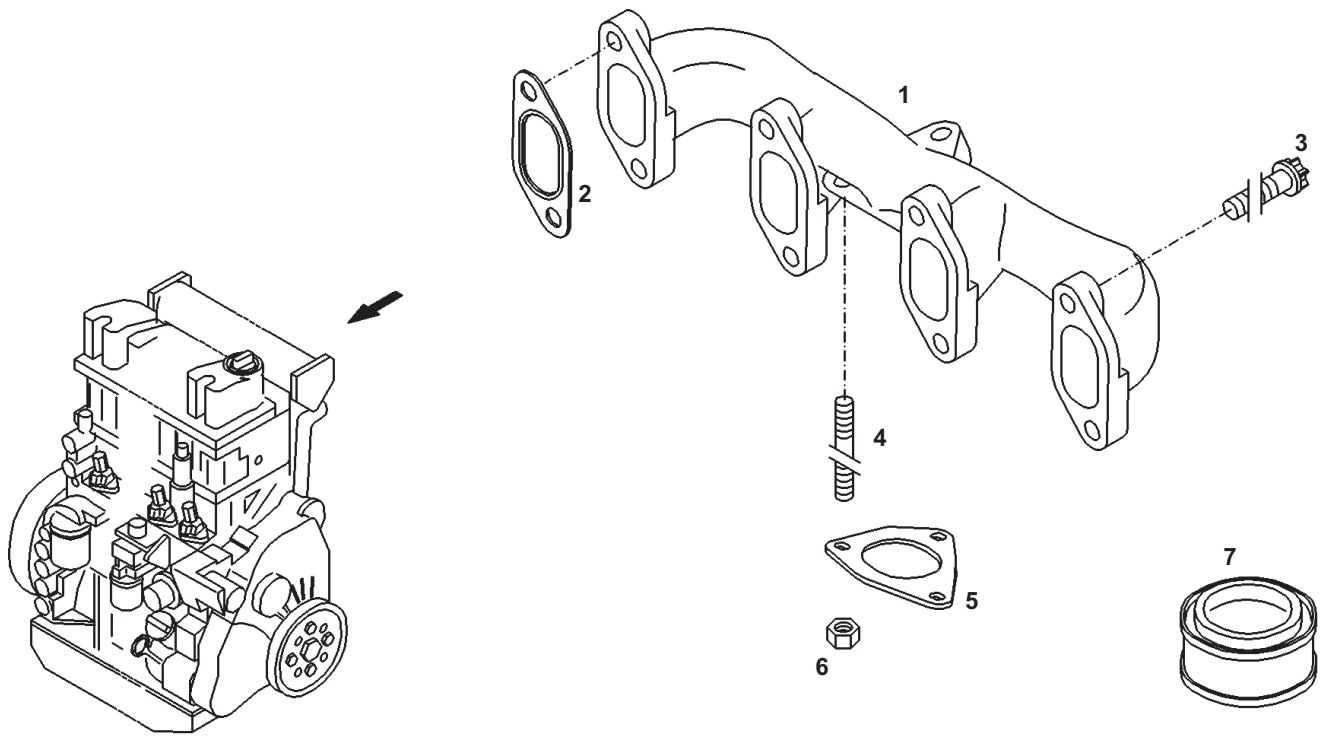
Ref No.	Part No.	Description	Quantity BF4M/F4M/BF3M
1	187524	UNIT/GI TIME CONTROL	1
2	187526	BASE/PEDESTAL	3



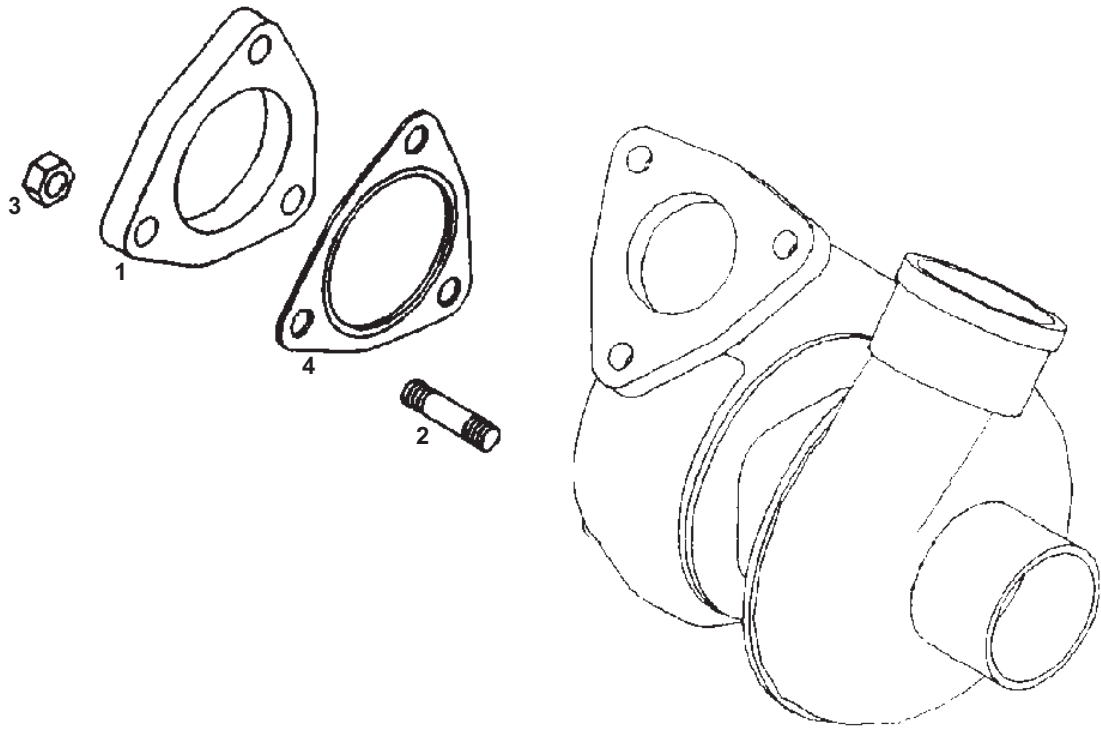
Ref No.	Part No.	Description	Quantity
1	133256	SWITCH/OIL PRESSURE	1
2	133140	PLUG/SCREW	1
3	133137	RING/SEALING	1



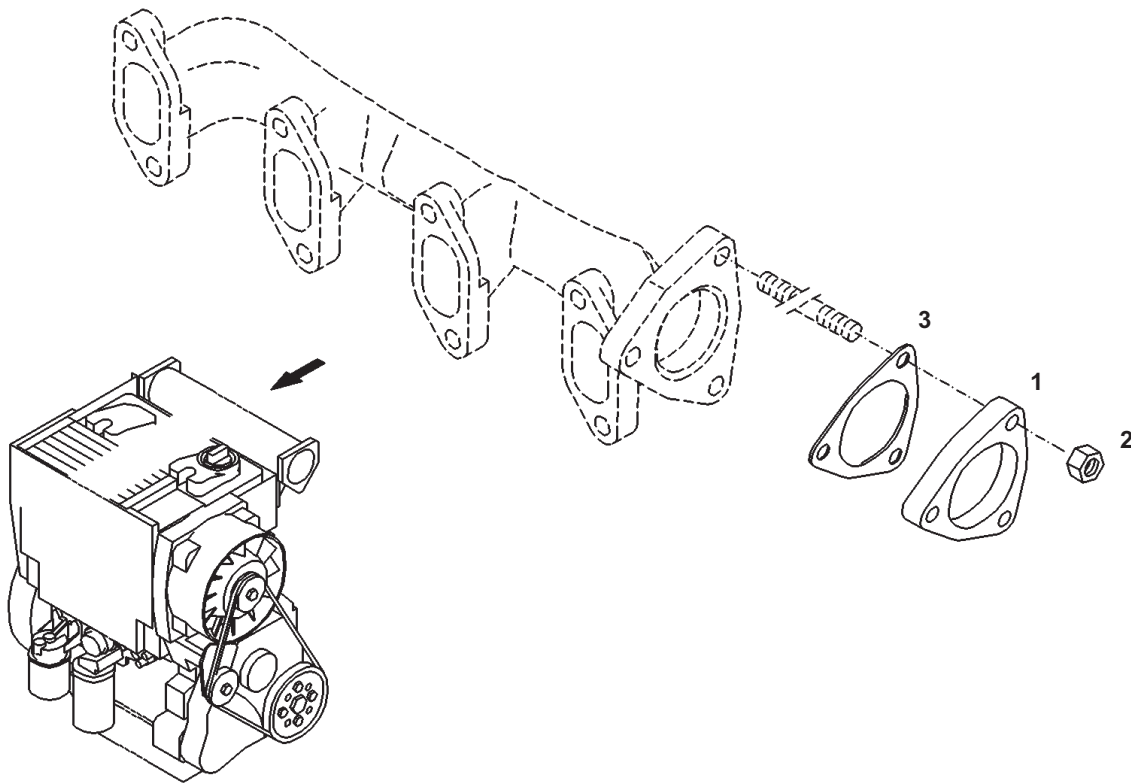
Ref No.	Part No.	Description	Quantity
1	133225	TRANSMITTER/TEMPERATURE (INCLUDES ITEM 2)	1
2	133161	RING/SEALING 14 X 18MM	1



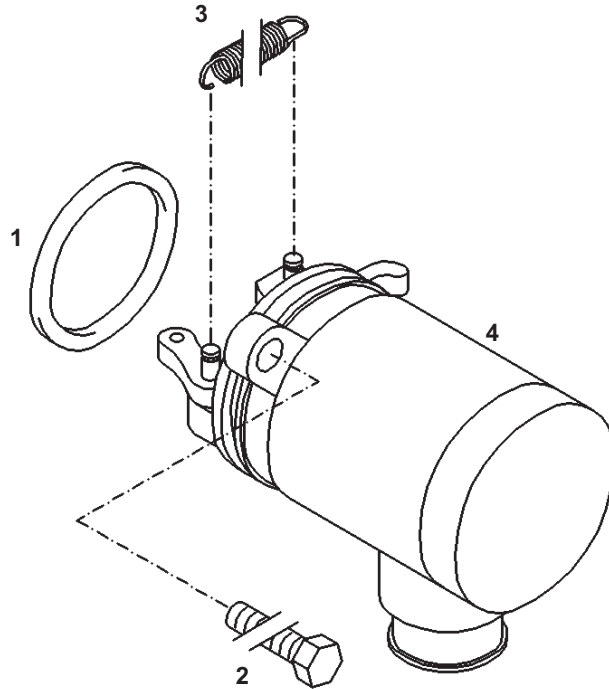
Ref No.	Part No.	Description	Quantity			
			F3M	F4M	BF3M	BF4M
1	133595	MANIFOLD/EXHAUST	1	-	-	-
	187155	MANIFOLD/EXHAUST	-	1	-	-
	133533	MANIFOLD/EXHAUST	-	-	1	-
	133572	MANIFOLD/EXHAUST	-	1	-	1
2	133372	GASKET	3	4	3	4
3	133534	BOLT/TORX-HEAD	6	8	6	8
4	133180	STUD	3	-	-	-
	133181	STUD	-	3	3	3
5	133374	GASKET	-	1	1	1
6	133154	NUT/HEX	-	3	3	3
7	133558	FITTING/COMPOUND	AR	AR	AR	AR



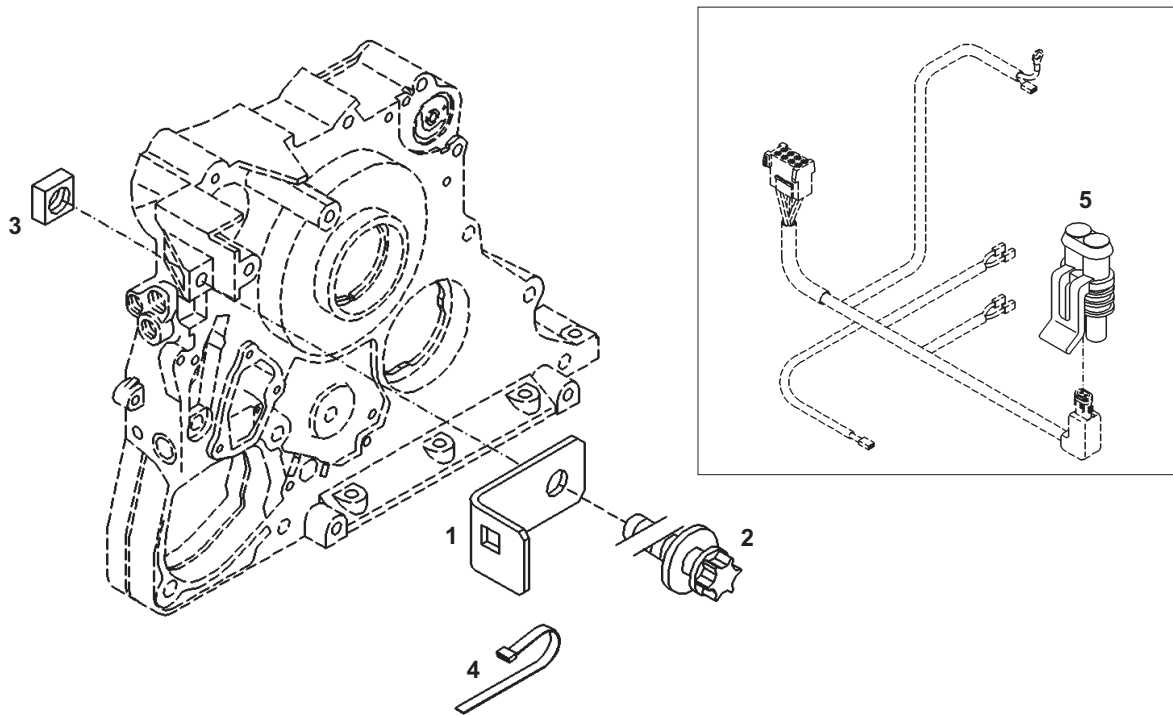
Ref No.	Part No.	Description	Quantity BF3M/BF4M
1	133532	FLANGE	1
2	133180	STUD	3
3	187278	NUT/HEX	3
4	133364	GASKET	1



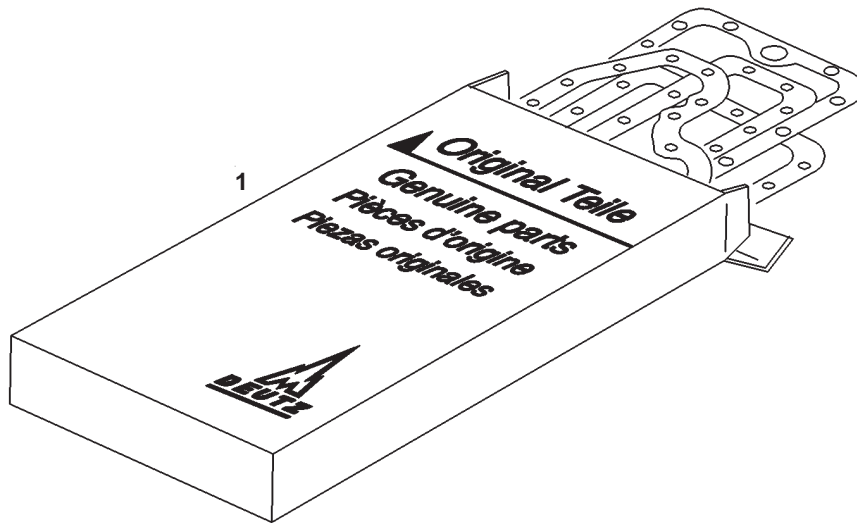
Ref No.	Part No.	Description	Quantity F4M/F3M
1	187516	FLANGE	1
2	187278	NUT/HEX	3
3	133374	GASKET	1



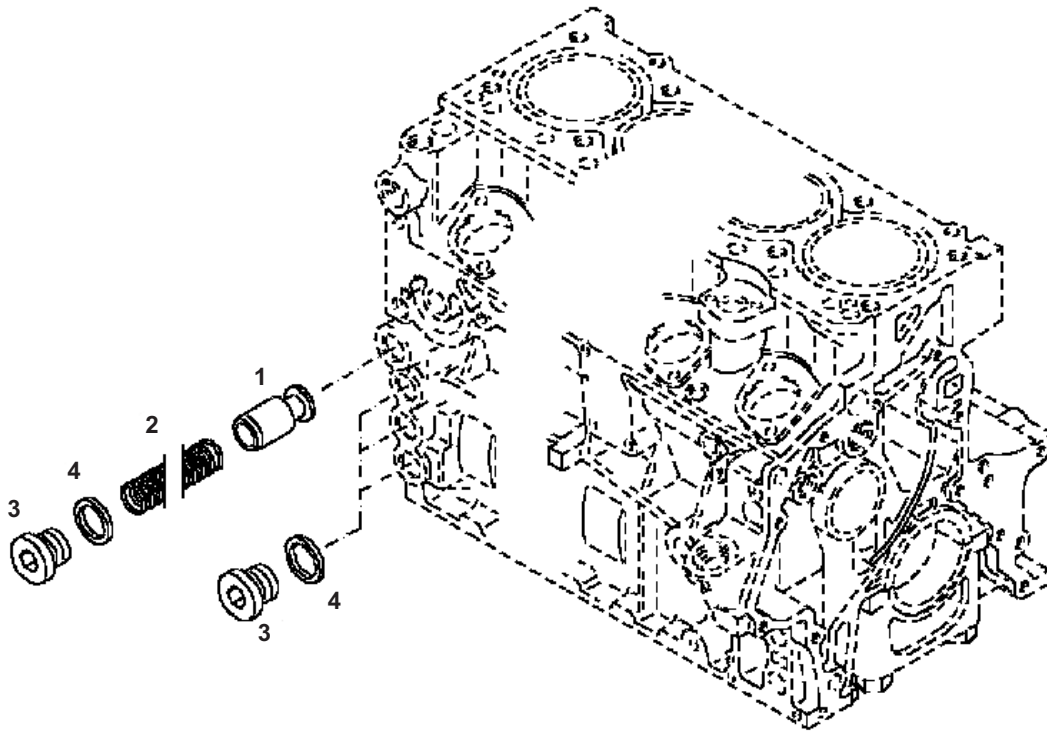
Ref No.	Part No.	Description	Quantity
1	133185	O-SEAL 44 X 3.15MM	1
2	187179	BOLT/HEX	2
3	133394	SPRING/TENSION	1
4	188923	DEVICE/SHUTDOWN (INCLUDES ITEM 3)	1



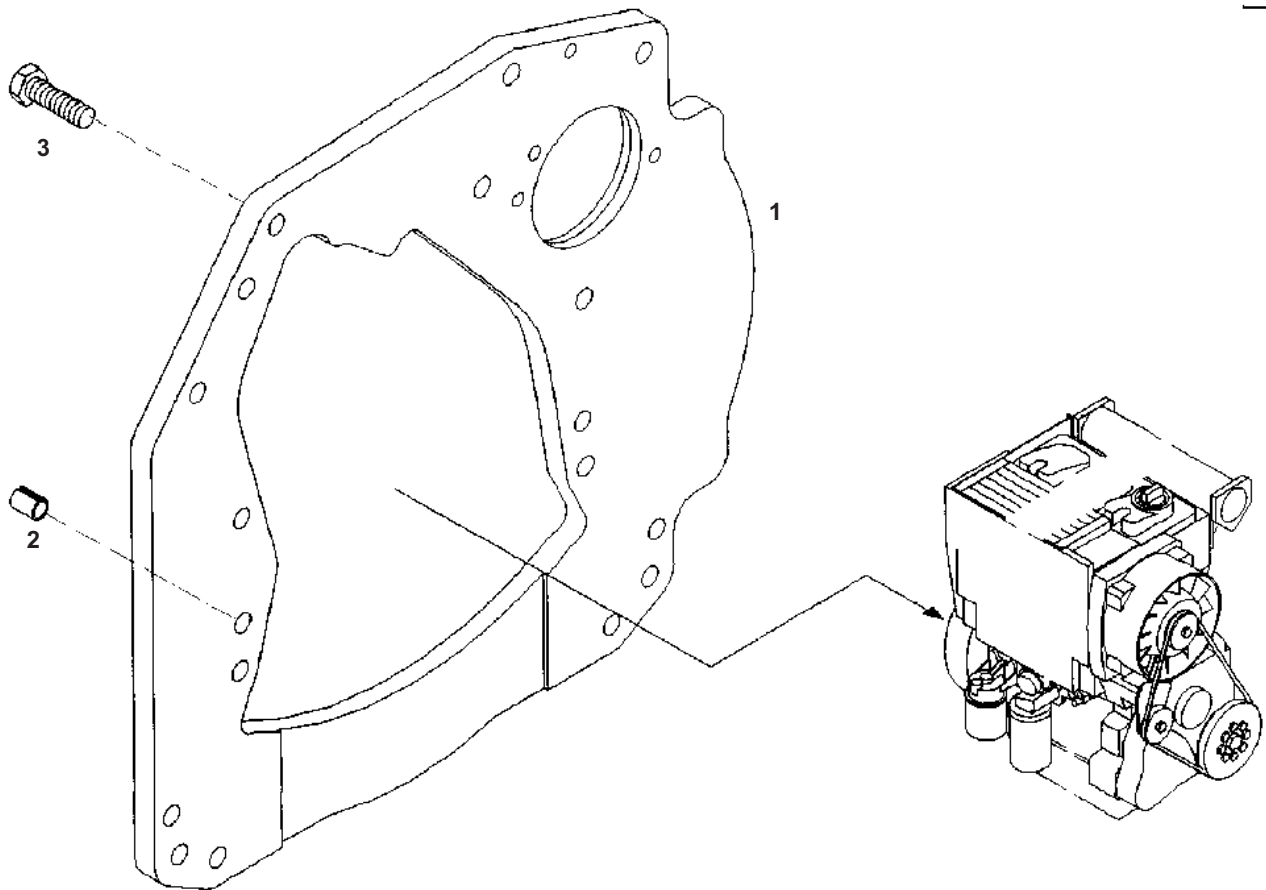
Ref No.	Part No.	Description	Quantity
1	190354	BRACKET	1
2	190353	BOLT/TORX HEAD	1
3	133115	NUT/SQUARE	1
4	187252	BAND/CLAMPING	1
5	190352	PARTS/BLANKING	1



Ref No.	Part No.	Description	Quantity	
			F3M/BF3M	F4M/BF4M
1	187205	SET/GASKET ENGINE OVERHAUL (LESS HEAD GASKETS)	1	-
	187143	SET/GASKET ENGINE OVERHAUL (LESS HEAD GASKETS)	-	1
	187207	SET/GASKET TOP CYLINDER HEAD	-	1



Ref No.	Part No.	Description	Quantity
1	133414	VALVE	1
2	194296	SPRING/COMPRESSION	1
3	133109	PLUG/SCREW	4
4	133139	RING/SEALING	4



Ref No.	Part No.	Description	Quantity
1	194297	PLATE/CONNECTING	1
2	133329	BUSH/CLAMPING	1
3	133110	BOT/HEX	1

Part No.	Page No.	Ref. No.	Part No.	Page No.	Ref. No.	Part No.	Page No.	Ref. No.	Part No.	Page No.	Ref. No.
132023	26	1	133149	8	5	133243	40	3	133384	55	5
132024	39	3	133149	61	1	133245	32	3	133387	1	3
132989	60	1	133152	58	13	133246	58	14	133388	58	32
133103	29	3	133154	73	6	133247	58	7	133389	58	31
133104	8	8	133156	62	3	133250	19	6	133393	58	5
133106	7	25	133159	15	3	133252	67	2	133394	76	3
133109	26	9	133161	72	2	133255	62	5	133395	58	6
133109	31	3	133163	19	4	133256	71	1	133396	59	2
133109	79	3	133163	58	29	133259	30	6	133402	24	2
133110	63	3	133165	32	2	133260	68	4	133404	7	3
133110	80	3	133168	45	1	133262	58	26	133405	7	2
133111	66	6	133169	67	3	133301	64	4	133406	58	16
133114	55	10	133171	55	7	133316	7	4	133408	7	10
133115	52	2	133173	62	7	133317	15	2	133409	31	7
133115	77	3	133173	68	5	133319	14	3	133410	31	8
133116	33	1	133174	58	25	133320	14	3	133411	7	18
133124	55	13	133175	55	2	133322	18	9	133412	58	12
133126	34	3	133176	31	9	133323	7	15	133414	31	1
133126	43	4	133177	62	9	133327	18	3	133414	79	1
133126	68	6	133180	73	4	133329	63	2	133415	31	2
133127	55	12	133180	74	2	133329	80	2	133416	31	6
133127	56	3	133181	73	4	133330	24	1	133417	7	19
133129	58	15	133184	66	1	133331	52	3	133419	34	5
133130	58	20	133185	76	1	133332	23	2	133420	34	5
133131	46	2	133187	62	4	133333	23	3	133421	34	5
133132	20	5	133190	50	3	133334	23	4	133422	34	5H
133132	33	2	133200	47	2	133334	55	8	133423	34	5J
133133	7	23	133200	50	2	133335	13	3	133424	34	5L
133133	28	3	133201	49	5	133336	68	1	133426	19	5
133134	2	4	133204	1	2	133337	34	4	133427	17	2
133135	30	3	133206	66	4	133338	10	3	133428	25	5
133136	31	10	133207	66	7	133339	10	3	133429	39	2
133137	8	4	133208	66	2	133350	7	16	133430	7	5
133137	61	2	133212	5	2	133351	58	24	133431	58	9
133137	71	3	133212	6	2	133352	18	6	133435	58	34
133138	8	3	133214	48	4	133357	14	3	133440	25	6
133138	45	2	133214	49	4	133358	14	3	133444	16	1
133138	54	2	133215	54	1	133360	59	3	133451	31	5
133139	26	8	133216	22	5	133364	74	4	133456	18	7
133139	31	4	133218	37	2	133365	62	11	133463	44	1
133139	79	4	133225	72	1	133369	15	2	133463	49	2
133140	71	2	133226	55	14	133370	9	3	133464	58	17
133141	28	2	133229	52	1	133372	73	2	133473	7	17
133141	38	7	133241	58	10	133374	73	5	133474	67	1
133145	22	7	133242	20	2	133374	75	3	133478	30	2
133147	46	1	133243	38	6	133375	23	6	133485	49	1
133148	66	5	133243	39	6	133377	55	1	133486	10	1

Part No.	Page No.	Ref. No.	Part No.	Page No.	Ref. No.	Part No.	Page No.	Ref. No.	Part No.	Page No.	Ref. No.
133487	10	2	135503	3	1	187131	6	1	187179	76	2
133488	10	2	135508	11	1	187132	16	2	187181	32	1
133489	10	2	135510	56	1	187133	16	3	187183	36	2
133490	10	4	135512	56	4	187134	18	1	187184	36	3
133491	10	4	135517	29	1	187135	18	1	187185	36	4
133492	10	4	135527	59	1	187136	18	1	187186	36	5
133495	30	1	135528	19	2	187137	25	1	187187	58	30
133497	58	22	135529	19	1	187137	25	1	187188	38	2
133498	28	1	135531	10	4	187138	58	11	187189	29	1
133502	62	2	135532	10	4	187139	25	1	187190	42	1
133506	55	4	135533	10	4	187140	22	4	187191	39	1
133515	10	5	135535	17	1	187141	9	2	187192	2	1
133521	11	1	135537	63	1	187142	9	4	187193	7	1
133522	10	1	135538	62	1	187143	78	1	187194	14	1
133529	47	1	135546	69	1	187144	22	1	187195	38	1
133532	74	1	138859	64	1	187145	8	1	187196	38	3
133533	73	1	138860	13	2	187146	18	5	187197	38	4
133534	73	3	140859	66	3	187147	18	2	187198	58	3
133536	7	8	187101	18	8	187148	18	8	187199	43	2
133537	7	6	187103	49	1	187149	18	2	187200	26	2
133538	7	7	187104	17	5	187150	18	3	187201	26	3
133539	7	21	187105	17	4	187151	34	5P	187202	26	5
133540	7	9	187106	17	3	187152	34	5N	187203	26	6
133541	7	11	187107	17	5	187154	53		187204	26	7
133542	7	14	187108	17	4	187155	73	1	187205	78	1
133549	47	3	187109	17	3	187156	17	3	187206	5	4
133550	30	1	187110	37	1	187157	17	4	187207	78	1
133551	30	7	187111	18	1	187158	17	5	187208	21	1
133553	5	3	187112	53	1	187159	9	1	187209	21	2
133553	6	3	187113	7	1	187160	22	2	187210	21	3
133555	2	1	187114	7	12	187161	22	3	187211	22	8
133556	2	2	187115	7	13	187162	48	3	187212	56	5
133558	73	7	187116	15	4	187163	48	1	187213	64	3
133561	2	7	187117	15	4	187164	21	3	187214	64	7
133562	3	1	187118	20	1	187165	27	1	187215	65	2
133565	19	1	187119	20	3	187166	44	3	187216	64	5
133566	19	2	187120	20	4	187167	44	3	187217	64	8
133570	58	3	187121	20	6	187168	7	1	187218	64	6
133572	73	1	187122	7	1	187171	39	4	187219	65	3
133577	50	1	187123	14	1	187172	39	5	187220	5	1
133578	59	1	187124	14	2	187173	39	7	187221	5	5
133593	52	4	187125	18	4	187173	40	5	187221	6	4
133595	73	1	187126	12	1	187173	51	5	187222	30	5
135491	58	2	187127	12	2	187174	39	8	187223	19	6
135493	62	6	187128	12	3	187175	39	9	187223	58	33
135499	56	2	187129	21	3	187176	39	10	187224	18	2
135500	44	2	187130	18	4	187177	39	12	187225	21	3

Part No.	Page No.	Ref. No.	Part No.	Page No.	Ref. No.	Part No.	Page No.	Ref. No.	Part No.	Page No.	Ref. No.
187226	48	5	187267	58	8	190352	77	5	194281	34	7
187227	2	6	187268	58	23	190353	77	2	194281	39	14
187228	15	1	187269	58	27	190354	77	1	194282	66	8
187229	26	4	187270	58	28	190355	40	1	194283	65	1
187229	39	11	187271	8	6	190356	39	13	194284	65	4
187230	25	4	187272	58	35	190356	40	4	194285	65	5
187231	1	4	187273	58	36	190357	40	2	194286	5	6
187231	49	3	187274	58	37	190358	38	1	194287	17	4
187232	29	2	187275	58	38	190359	38	2	194288	17	5
187233	2	3	187276	8	2	190360	51	1	194289	58	46
187233	37	3	187277	58	39	190361	51	3	194290	58	47
187234	2	3	187278	74	3	190362	51	4	194291	58	48
187234	8	7	187278	75	2	190363	1	1	194292	19	1
187234	62	8	187279	58	40	190364	34	5	194293	55	3
187235	30	4	187280	27	1	190365	34	5	194294	55	7
187235	69	2	187281	27	2	190366	34	5	194295	55	15
187236	20	8	187282	27	3	190367	34	5	194296	79	2
187237	23	5	187282	51	2	190368	34	5G	194342	58	3
187238	55	3	187283	41	2	190369	34	5I	194452	37	1
187239	64	2	187283	58	41	190370	34	5K	194453	37	4
187240	11	2	187284	58	42	190371	34	5O	194454	37	5
187241	55	6	187285	41	5	190372	34	5Q			
187242	55	9	187285	58	43	190373	34	5R			
187243	7	24	187286	58	44	190374	34	5S			
187244	55	11	187287	58	45	190375	35	1			
187246	34	2	187288	22	6	190376	35				
187247	34	6	187289	7	22	190377	35				
187248	43	3	187503	68	2	190378	35				
187250	43	1	187504	68	3	190379	35	1			
187251	34	5M	187505	68	7	190380	35				
187252	38	5	187509	20	7	190381	35				
187252	77	4	187511	38	8	190382	35				
187253	58	1	187516	75	1	190383	35	1			
187254	48	2	187524	70	1	190384	35				
187255	15	1	187526	70	2	190385	35				
187256	62	10	188923	76	4	190386	35				
187257	15	3	190341	41	1	192720	35	1			
187258	15	5	190342	41	3	192721	35				
187259	58	4	190343	41	6	192722	35				
187260	58	18	190344	41	4	192723	35				
187261	58	19	190345	41	7	192779	35	1			
187262	7	20	190346	4	1	192780	35				
187264	19	3	190347	4	3	192781	35				
187265	58	21	190348	4	4	192782	35				
187266	25	2	190349	4	5	192783	17	3			
187267	2	5	190350	4	6	193050	19	2			
187267	25	3	190351	4	2	193269	54	1			

GEHL®

Gehl Company 143 Water Street, P.O. Box 179, West Bend, WI 53095-0179 U.S.A.
www.gehl.com