

Deutz Engines F3M 2011F

(SN 0654097 and Later)

BF3M 2011F

(SN 0590544 and Later)

F4M 2011F

(SN 0529127 and Later)

BF4M 2011F

(SN 0550682 and Later)

Used In:

**SL4640, SL4840,
SL5640, SL6640
Skid-Steer Loaders**



Engine Service Parts Manual

Form No.
917108

Revision C

05/07

GEHL[®]

Introduction

This manual covers F3M 2011F engines with serial number 0654097 and later and BF3M 2011F engines with serial number 00590544 and later, and F4M 2011F engines with serial number 0529127 and BF4M 2011F engines with serial number 0550682 and later. The F3M 2011F and BF3M 2011F engines are used in SL4640 skid-steer loaders. The F4M 2011F and BF4M 2011F engines are used in SL4840, SL5640, and SL6640 skid-steer loaders. When ordering service parts, specify the correct part number, full description, quantity required, and the engine model number and serial number (located on a plate on the valve mechanical cover).

Items shown that do not have a part number are shown for reference purposes only and are not available for purchase separately.

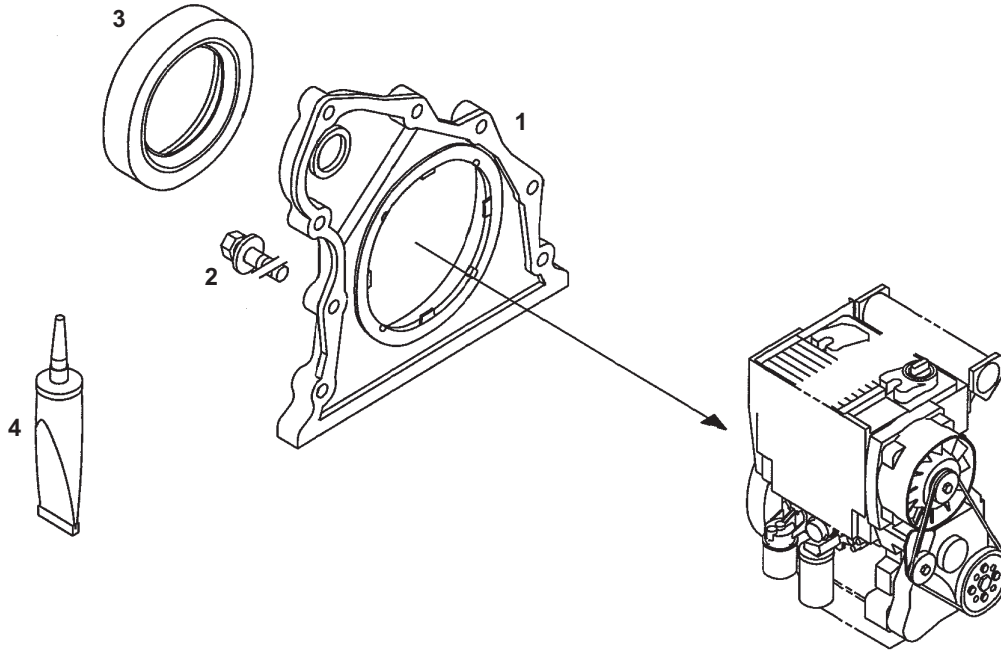
Use only genuine original equipment manufacturer service parts. All service parts should be obtained from or ordered through your Gehl® dealer.

Gehl® Company reserves the right to make changes or improvements in the design or construction of any part of the unit without incurring the obligation to install such changes on any previously delivered units.

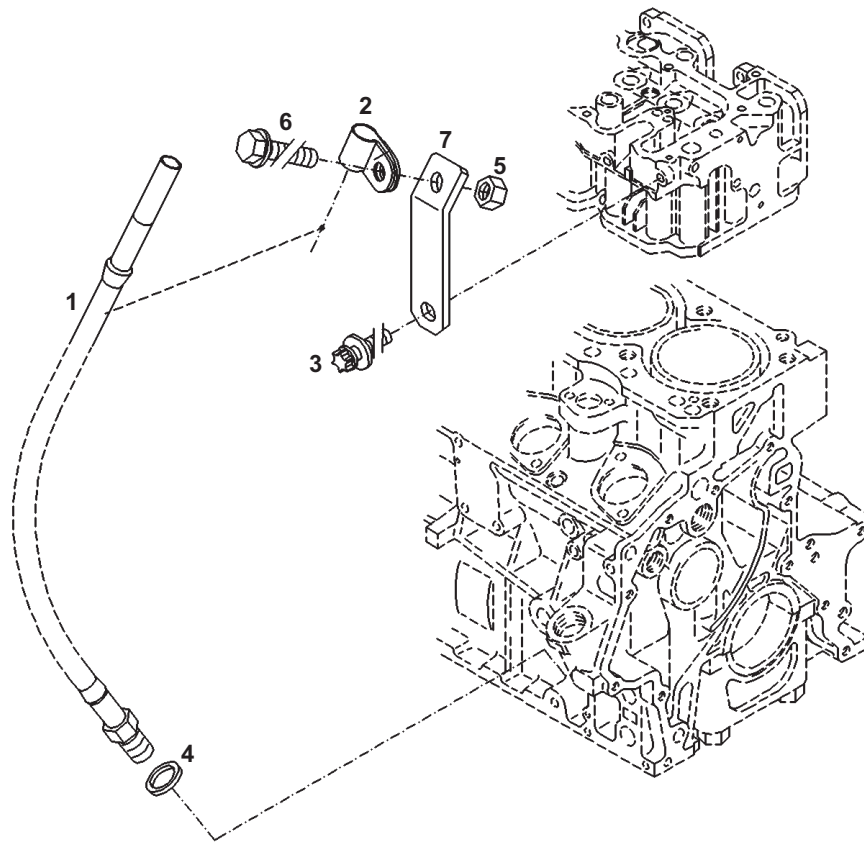
IMPORTANT: *Deutz engine service parts are driven by individual engine serial numbers. The Deutz Company does not use serial number ranges. Running changes made to Deutz engines during assembly may be unique to that engine. To help ensure that you receive the correct parts for your engine, have your engine serial number available when ordering through our Gehl Customer Service Department.*

Table of Contents

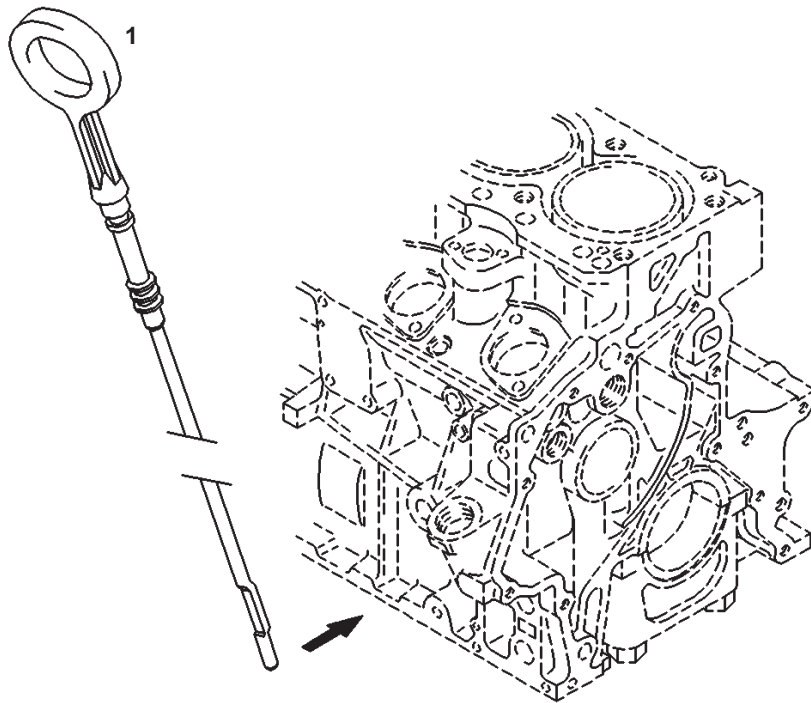
| | | | |
|--|----|---|----|
| Introduction | i | BOOST CONTROL | 41 |
| REAR END COVER | 1 | HIGH PRESSURE PIPE | 42 |
| GUIDE TUBE | 2 | SUCTION PIPE FLANGE | 43 |
| DIPSTICK | 3 | SUCTION PIPE | 44 |
| CRANKCASE ACCESSORIES | 4 | AIR CLEANER | 45 |
| CRANKCASE BREATHER | 5 | SUCTION PIPE/AIR CLEANER ACCESSORIES | 47 |
| ENGINE BLOCK | 7 | CHARGE AIR ELBOW | 48 |
| OIL PAN | 8 | CHARGE AIR PIPE | 49 |
| CRANKSHAFT ACCESSORIES | 9 | TRANSFER PIPE | 50 |
| CRANKSHAFT | 10 | HOSE ASSEMBLY | 51 |
| POWER TAKE-OFF | 11 | AIR FILTER FITMENT | 52 |
| COVER PLATE | 12 | TURBOCHARGER | 53 |
| FLYWHEEL | 13 | GLOW PLUG | 54 |
| CONNECTING ROD | 14 | TORQUE CAPSULE | 55 |
| PISTON | 15 | BUFFER SPRING | 56 |
| FILLER CAP | 16 | FRONT COVER/GOVERNOR | 57 |
| CYLINDER HEAD FASTENINGS | 17 | CONTROL ROD | 59 |
| CYLINDER HEAD | 18 | V-BELT | 60 |
| VALVE MECHANICAL COVER | 19 | AIR COMPRESSOR | 61 |
| CAMSHAFT DRIVE | 20 | FAN SUPPORT | 62 |
| CAMSHAFT | 21 | ADAPTER HOUSING | 63 |
| PROTECTION HOOD & FASTENINGS | 22 | STARTER | 64 |
| ROCKER ARM BRACKET | 23 | ENGINE MOUNTING | 65 |
| VALVE DRIVE | 24 | ALTERNATOR | 66 |
| LUBRICATION OIL PUMP | 25 | ALTERNATOR BRACKET | 67 |
| OIL FILTER & FASTENINGS | 26 | ALTERNATOR FASTENINGS | 68 |
| PILOT LINE | 27 | COOLING AIR BAFFLE | 69 |
| LUBRICATION OIL LINE | 28 | CONTROL UNIT | 70 |
| OIL SUCTION LINE | 29 | OIL PRESSURE SWITCH | 71 |
| OIL RETURN LINE | 30 | TEMPERATURE TRANSMITTER | 72 |
| HEATER CONNECTION | 31 | EXHAUST MANIFOLD | 73 |
| RADIATOR CONNECTION | 32 | COMPANION FLANGE | 74 |
| SCREW PLUG | 33 | SHUTDOWN DEVICE | 76 |
| FUEL INJECTION PUMP | 34 | GASKET SET | 78 |
| FUEL INJECTOR | 36 | PRESSURE RELIEF VALVE | 79 |
| FUEL SUPPLY PUMP | 37 | CONNECTING PLATE | 80 |
| FUEL LINE | 38 | INDEX | 81 |
| FUEL FILTER | 40 | | |



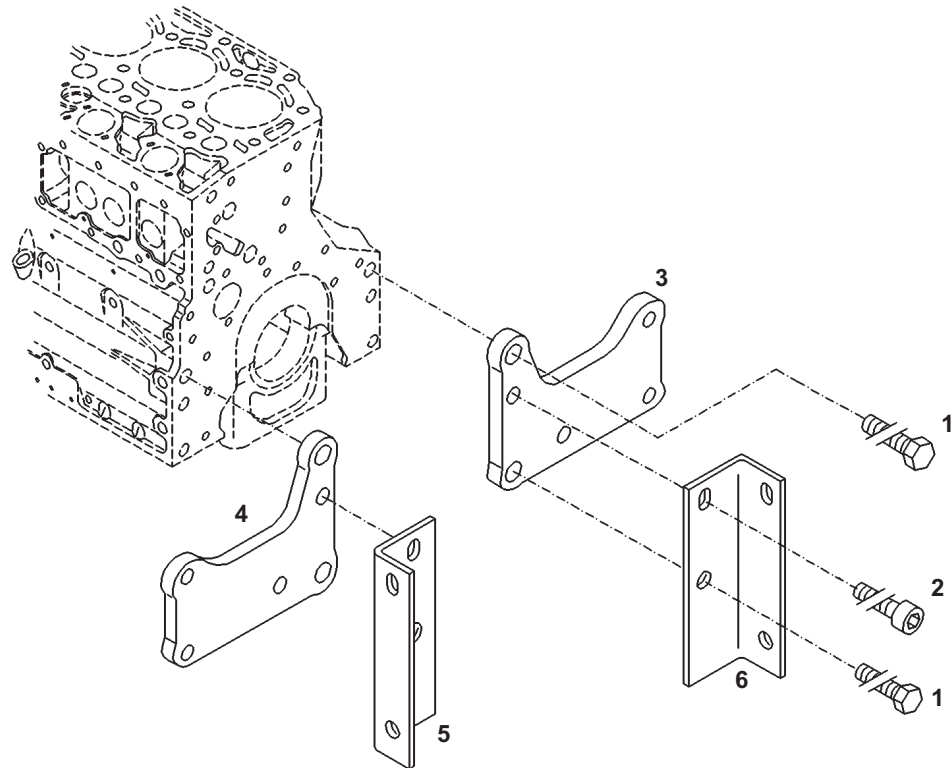
| Ref No. | Part No. | Description | Quantity |
|---------|----------|-----------------------------|----------|
| 1 | 190363 | COVER/REAR END | 1 |
| 2 | 133204 | BOLT/HEX 8 X 30MM CLASS 8.8 | 8 |
| 3 | 133387 | SEAL/ROTATION SHAFT LIP | 1 |
| 4 | 187231 | COMPOUND/PACKING 250 ML | AR |



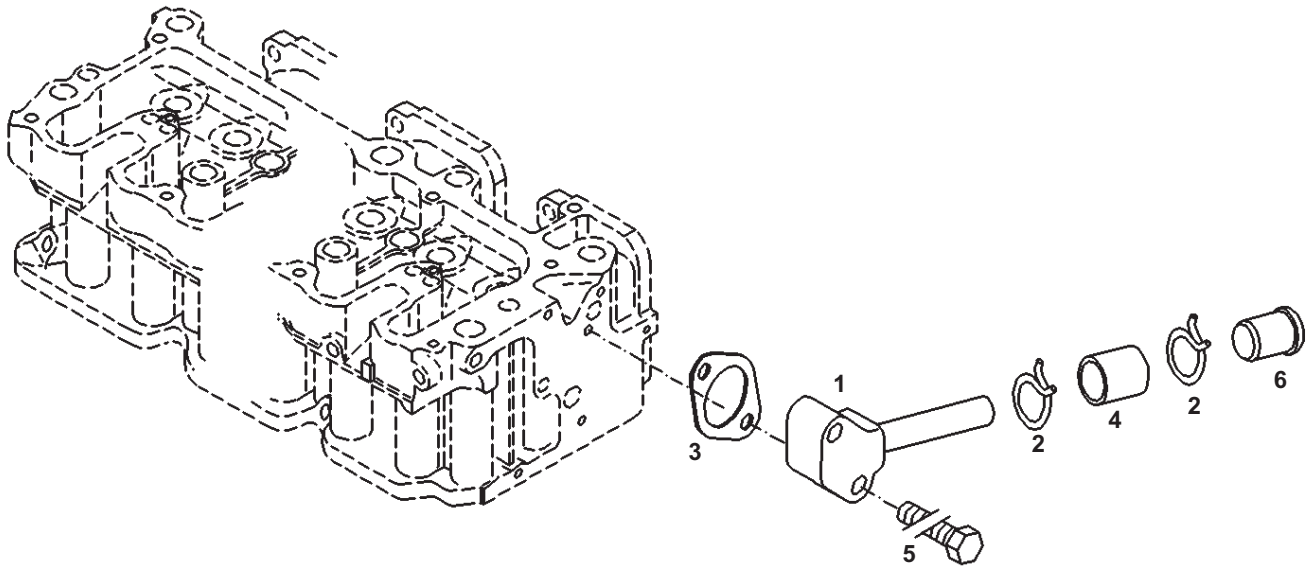
| Ref No. | Part No. | Description | Quantity | | | |
|---------|----------|----------------|----------|------|-----|------|
| | | | F3M | BF3M | F4M | BF4M |
| 1 | 133555 | TUBE/GUIDE | 1 | - | - | - |
| | 187192 | TUBE/GUIDE | - | 1 | 1 | 1 |
| 2 | 133556 | CLAMP/PIPE | 1 | 1 | 1 | 1 |
| 3 | 187233 | BOLT/TORX-HEAD | 1 | 1 | - | - |
| | 187234 | BOLT/TORX-HEAD | - | - | 1 | 1 |
| 4 | 133134 | RING/SEALING | 1 | 1 | 1 | 1 |
| 5 | 187267 | NUT/HEX | 1 | 1 | 1 | 1 |
| 6 | 187227 | BOLT/HEX | 1 | 1 | 1 | 1 |
| 7 | 133561 | BRACKET | 1 | 1 | 1 | 1 |



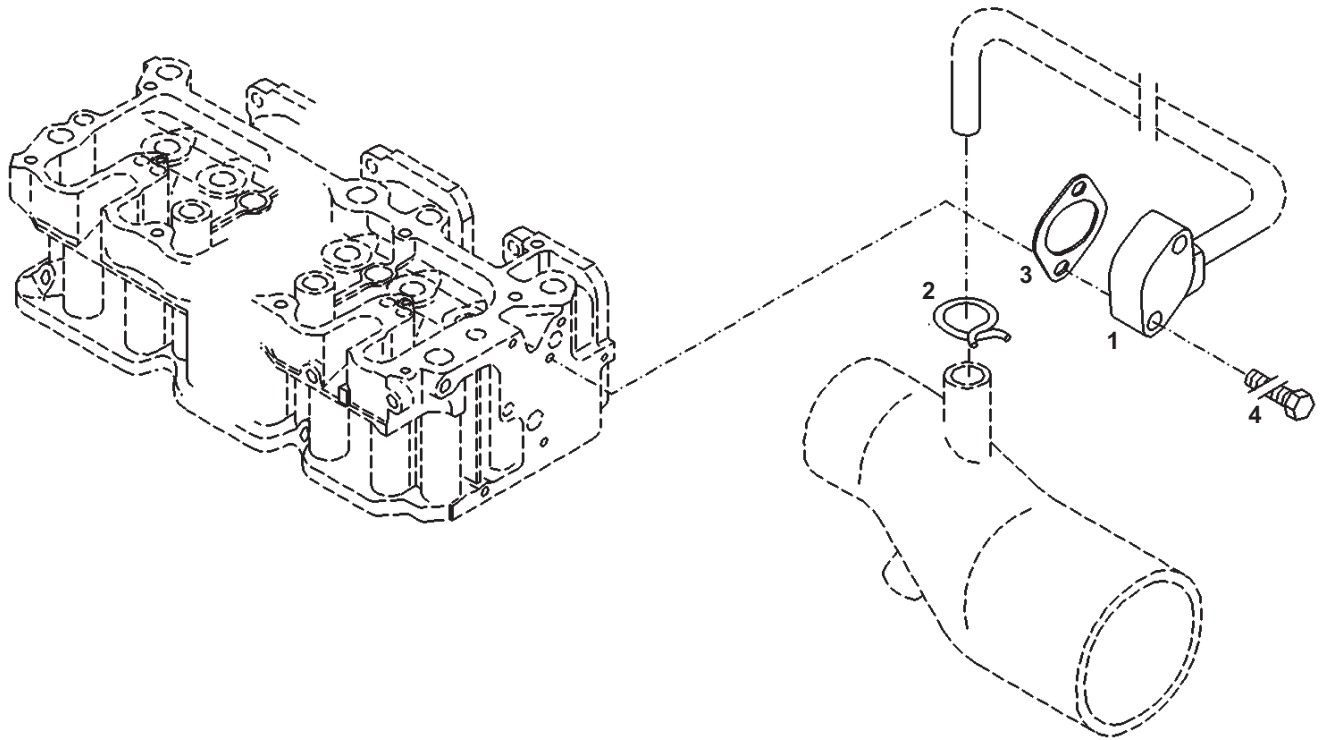
| Ref No. | Part No. | Description | Quantity | |
|---------|----------|-------------|----------|----------|
| | | | F3M/BF3M | F4M/BF4M |
| 1 | 135503 | DIPSTICK | 1 | - |
| | 133562 | DIPSTICK | - | 1 |



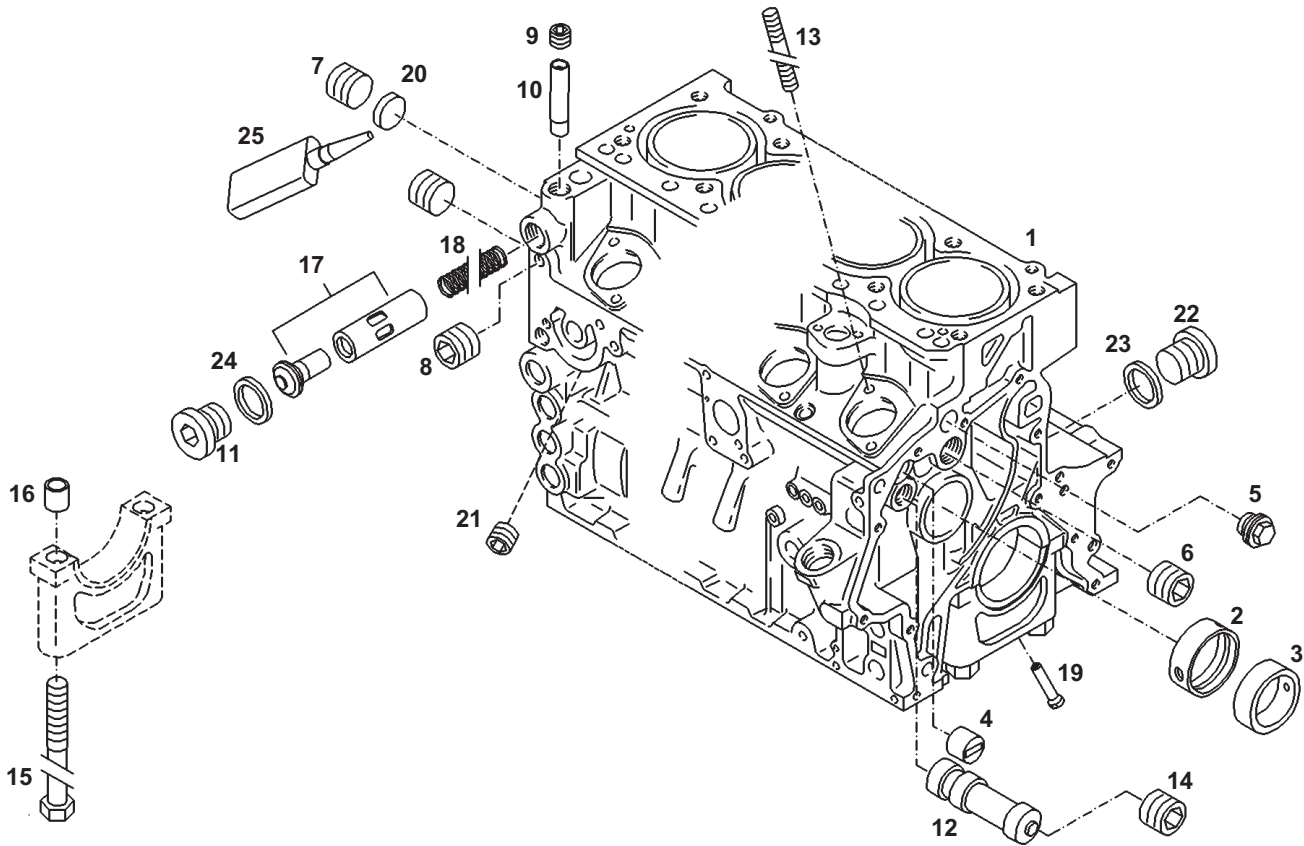
| Ref No. | Part No. | Description | Quantity F4M |
|---------|----------|-----------------|--------------|
| 1 | 190346 | BOLT/HEX | 4 |
| 2 | 190351 | SCREW/SOCKET | 2 |
| 3 | 190347 | BRACKET | 1 |
| 4 | 190348 | BRACKET | 1 |
| 5 | 190349 | RETAINER/ANGLED | 1 |
| 6 | 190350 | RETAINER/ANGLED | 1 |



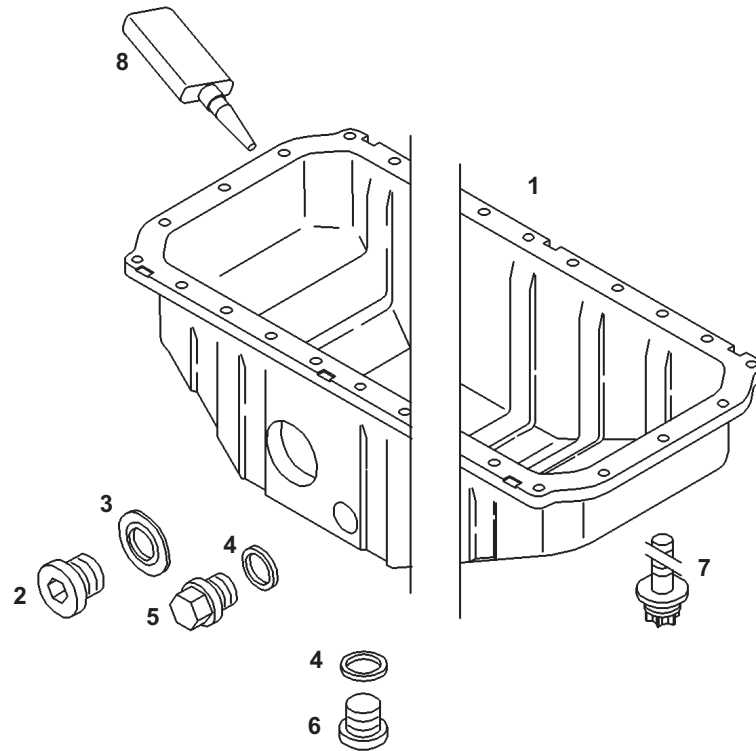
| Ref No. | Part No. | Description | Quantity BF3M |
|---------|----------|---------------|---------------|
| 1 | 187220 | PIPE/BREATHER | 1 |
| 2 | 133212 | CLIP/HOSE | 2 |
| 3 | 133553 | GASKET | 1 |
| 4 | 187206 | SLEEVE/RUBBER | 1 |
| 5 | 187221 | BOLT/HEX | 2 |
| 6 | 194286 | PLUG | 1 |



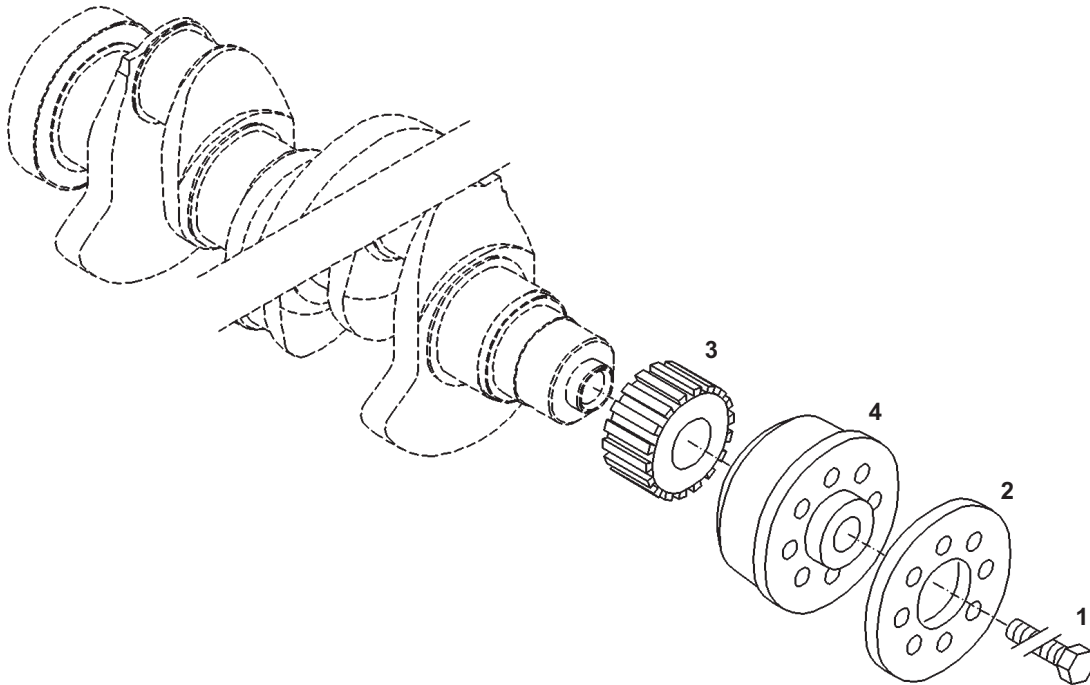
| Ref No. | Part No. | Description | Quantity BF4M |
|---------|----------|---------------|---------------|
| 1 | 187131 | PIPE/BREATHER | 1 |
| 2 | 133212 | CLIP/HOSE | 1 |
| 3 | 133553 | GASKET | 1 |
| 4 | 187221 | BOLT/HEX | 2 |



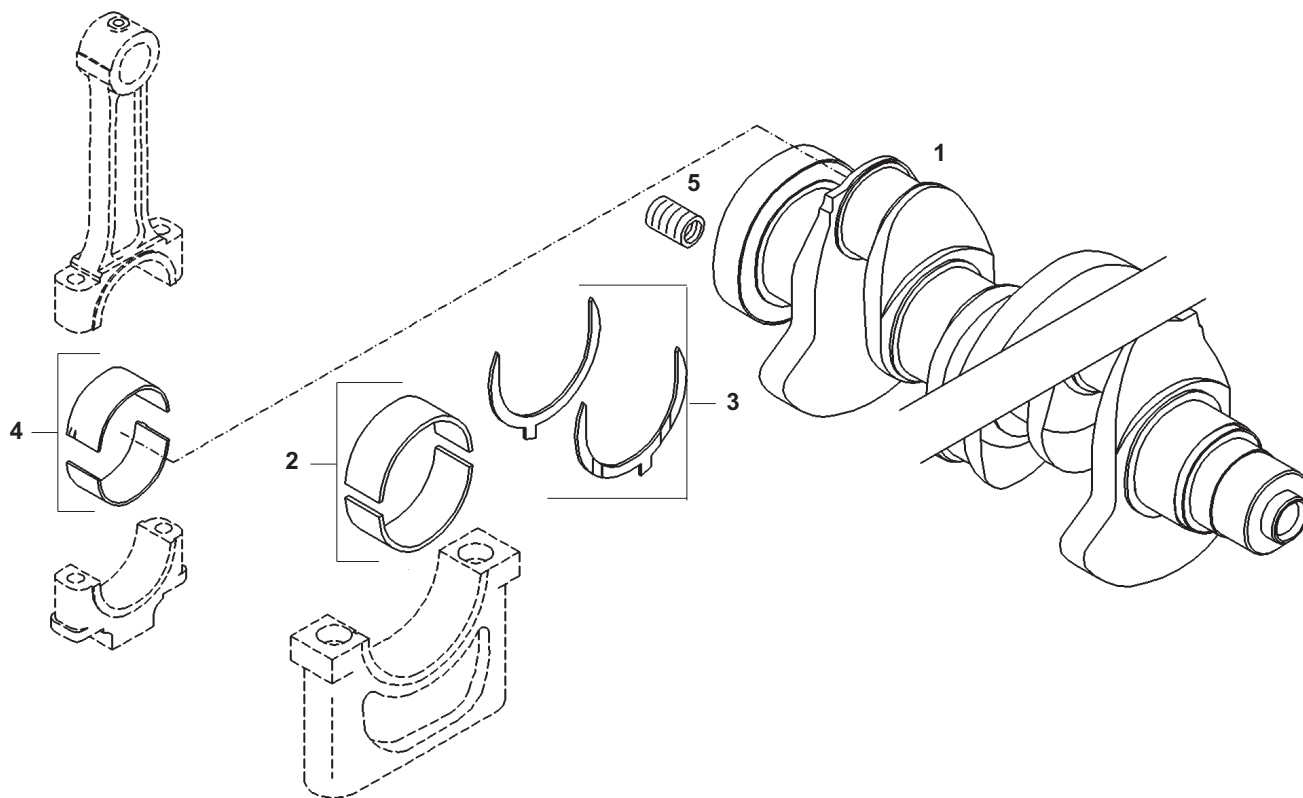
| Ref No. | Part No. | Description | Quantity | | | |
|---------|----------|-------------------------|----------|-----|------|------|
| | | | F3M | F4M | BF3M | BF4M |
| 1 | 187168 | BLOCK/ENGINE | 1 | - | - | - |
| | 187113 | BLOCK/ENGINE | - | 1 | - | - |
| | 187122 | BLOCK/ENGINE | - | - | 1 | - |
| | 187193 | BLOCK/ENGINE | - | - | - | 1 |
| 2 | 133405 | BUSHING/WRAPPED BEARING | 2 | 2 | 2 | 2 |
| 3 | 133404 | BUSHING/WRAPPED BEARING | 2 | 3 | 2 | 3 |
| 4 | 133316 | SLEEVE/GUIDE | 2 | 2 | 2 | 2 |
| 5 | 133430 | PLUG/SCREW | 1 | 1 | 1 | 1 |
| 6 | 133537 | PLUG/SCREW | 2 | 2 | 2 | 2 |
| 7 | 133538 | PLUG/SCREW | 1 | 1 | 1 | 1 |
| 8 | 133536 | PLUG/SCREW | 1 | 1 | 1 | 1 |
| 9 | 133540 | PLUG/SCREW | 1 | 1 | 1 | 1 |
| 10 | 133408 | TUBE | 1 | 1 | 1 | 1 |
| 11 | 133541 | PLUG/SCREW | 1 | 1 | 1 | 1 |
| 12 | 187114 | PLUG | 1 | 1 | 1 | 1 |
| 13 | 187115 | STUD | 6 | 8 | 6 | 8 |
| 14 | 133542 | PLUG/SCREW | 1 | 1 | 1 | 1 |
| 15 | 133323 | BOLT/HEX | 8 | 10 | 8 | 10 |
| 16 | 133350 | BUSH | 8 | 10 | 8 | 10 |
| 17 | 133473 | THERMOSTAT | 1 | 1 | 1 | 1 |
| 18 | 133411 | SPRING/COMPRESSION | 1 | 1 | 1 | 1 |
| 19 | 133417 | NOZZLE/PISTON COOLING | 6 | 8 | 6 | 8 |
| 20 | 187262 | COVER | 1 | 1 | 1 | 1 |
| 21 | 133539 | PLUG/SCREW | 1 | 1 | 1 | 1 |
| 22 | 187289 | PLUG/SCREW | 1 | 1 | 1 | 1 |
| 23 | 133133 | RING/SEALING | 1 | 1 | 1 | 1 |
| 24 | 187243 | O-SEAL | 1 | 1 | 1 | 1 |
| 25 | 133106 | LOCKING AGENT/SAFETY | AR | AR | AR | AR |



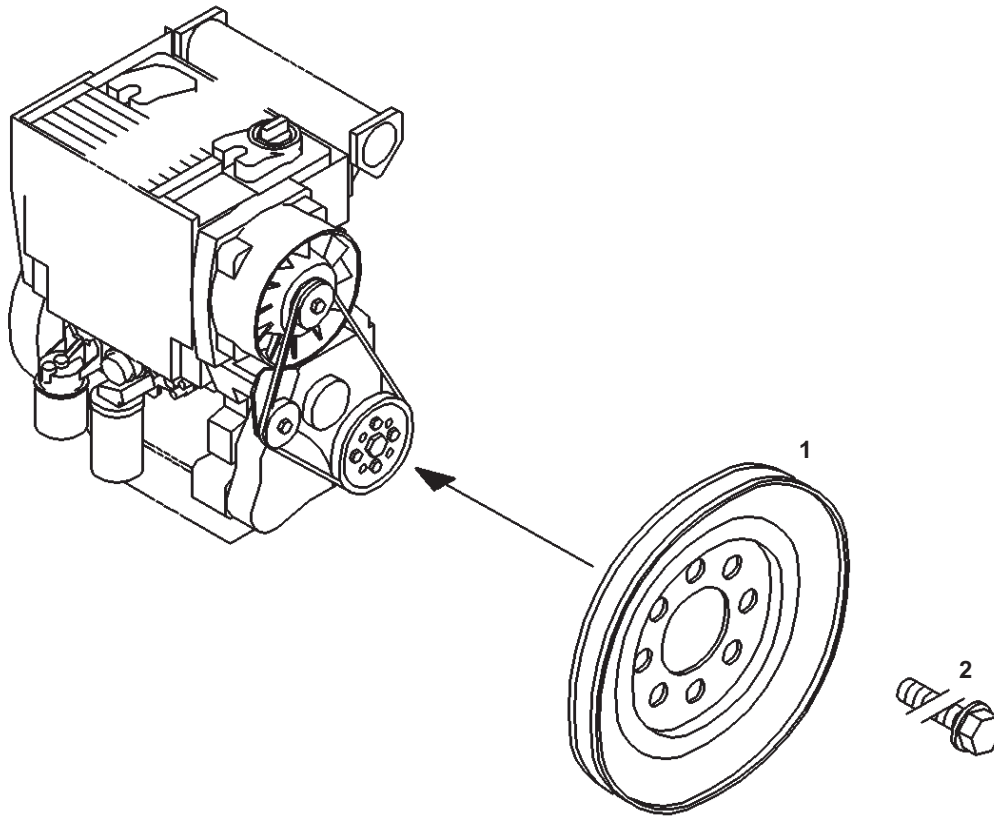
| Ref No. | Part No. | Description | Quantity | |
|---------|----------|------------------------------|----------|----------|
| | | | F3M/BF3M | F4M/BF4M |
| 1 | 187145 | PAN/OIL (INCLUDES ITEMS 2-6) | 1 | - |
| | 187100 | PAN/OIL (INCLUDES ITEMS 2-6) | - | 1 |
| 2 | 187276 | PLUG/SCREW | 1 | 1 |
| 3 | 133138 | RING/SEALING | 1 | 1 |
| 4 | 133137 | RING/SEALING | 3 | 2 |
| 5 | 133149 | PLUG/SCREW | 2 | 1 |
| 6 | 187271 | PLUG/SCREW | 1 | 1 |
| 7 | 187234 | BOLT/TORX HEAD | 22 | 26 |
| 8 | 133104 | COMPOUND/PACKING | AR | AR |



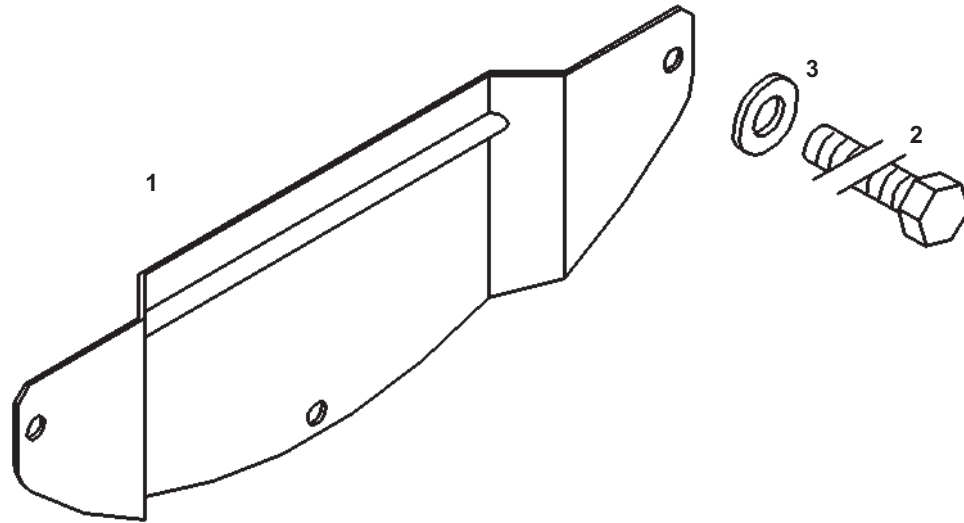
| Ref No. | Part No. | Description | Quantity |
|----------------|-----------------|--------------------|-----------------|
| 1 | 187159 | BOLT/HEX | 1 |
| 2 | 187141 | DEFLECTOR/LUBE | 1 |
| 3 | 133370 | PULLEY/TIMING BELT | 1 |
| 4 | 187142 | FLANGE/OUTPUT | 1 |



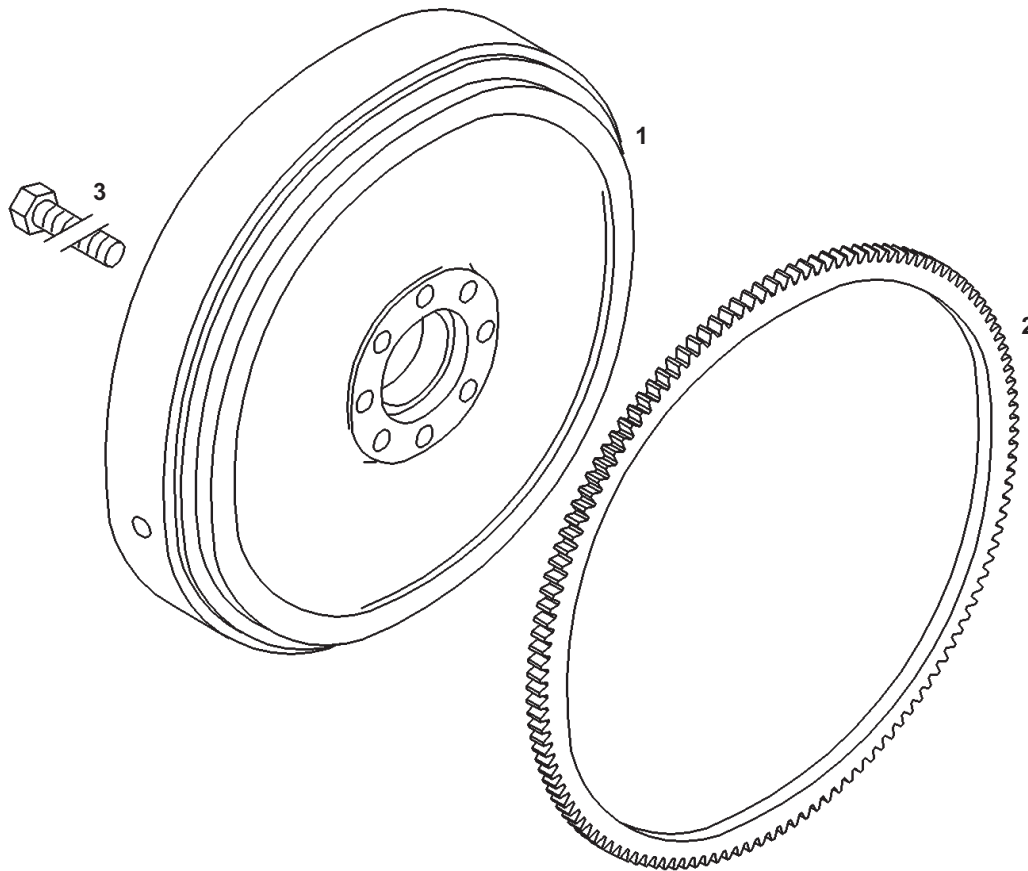
| Ref No. | Part No. | Description | Quantity | |
|---------|----------|------------------------------------|----------|----------|
| | | | F3M/BF3M | F4M/BF4M |
| 1 | 133522 | CRANKSHAFT (INCLUDES ITEMS 2-4) | 1 | - |
| | 133486 | CRANKSHAFT (INCLUDES ITEMS 2-4) | - | 1 |
| 2 | 133487 | BEARING/MAIN STANDARD 70MM | 4 | 5 |
| 2A | 133488 | BEARING/MAIN 1ST UNDERSIZE 69.75MM | 4 | 5 |
| 2B | 133489 | BEARING/MAIN 2ND UNDERSIZE 69.50MM | 4 | 5 |
| 3 | 133338 | WASHER/THRUST STANDARD 2.4MM | 1 | 1 |
| 3A | 133339 | WASHER/THRUST 1ST OVERSIZE 2.6MM | 1 | 1 |
| 4 | 133490 | BEARING/BIG END STANDARD | - | 4 |
| | 135531 | BEARING/BIG END STANDARD | 3 | - |
| 4A | 133491 | BEARING/BIG END 1ST UNDERSIZE | - | 4 |
| | 135532 | BEARING/BIG END 1ST UNDERSIZE | 3 | - |
| 4B | 133492 | BEARING/BIG END 2ND UNDERSIZE | - | 4 |
| | 135533 | BEARING/BIG END 2ND UNDERSIZE | 3 | - |
| 5 | 133515 | INSERT/THREADED 10 X 1 X 5MM | 1 | 1 |



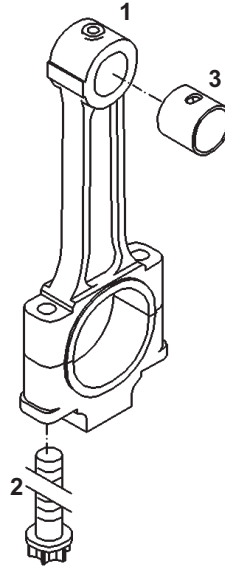
| Ref No. | Part No. | Description | Quantity | | | |
|---------|----------|------------------|----------|-----|------|------|
| | | | F3M | F4M | BF3M | BF4M |
| 1 | 135508 | PULLEY/V-GROOVED | 1 | 1 | - | - |
| | 133521 | PULLEY/V-GROOVED | - | - | 1 | 1 |
| 2 | 187240 | BOLT/HEX | 1 | 1 | 1 | 1 |



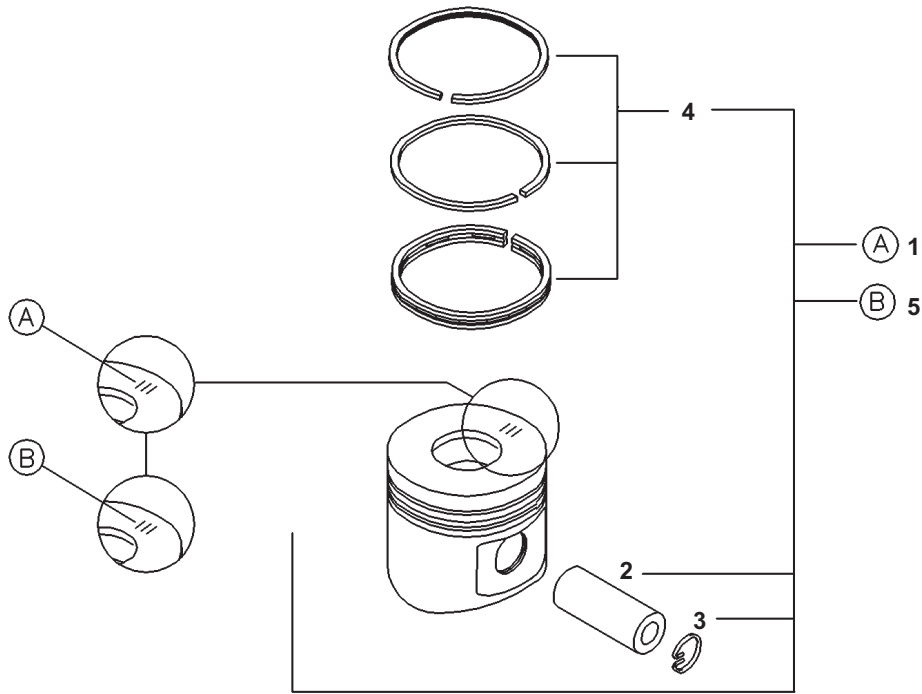
| Ref No. | Part No. | Description | Quantity |
|---------|----------|--------------|----------|
| 1 | 187126 | PLATE/COVER | 1 |
| 2 | 187127 | BOLT/HEX | 3 |
| 3 | 187128 | WASHER/PLAIN | 3 |



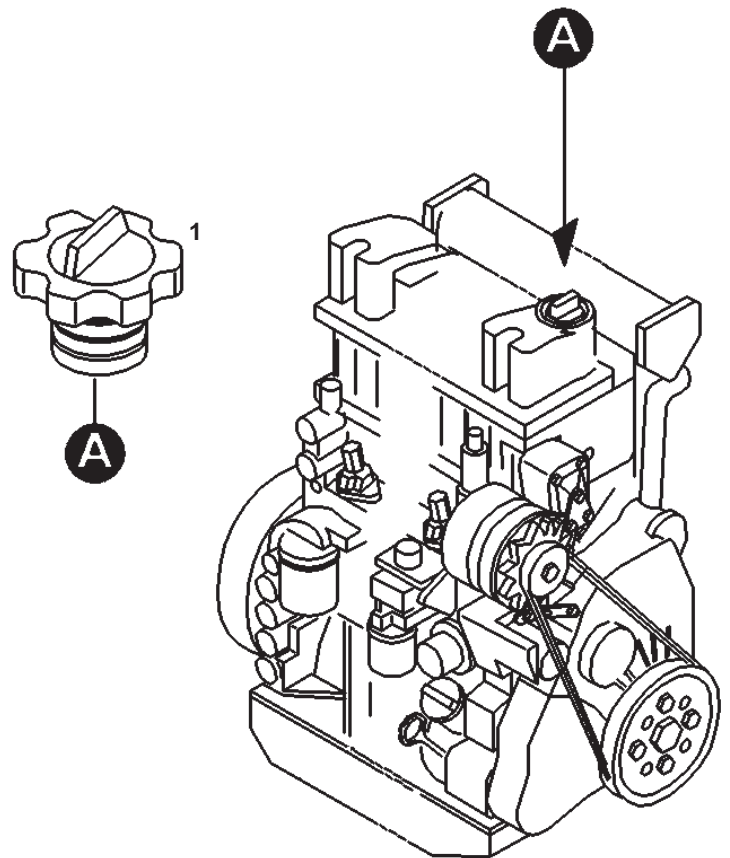
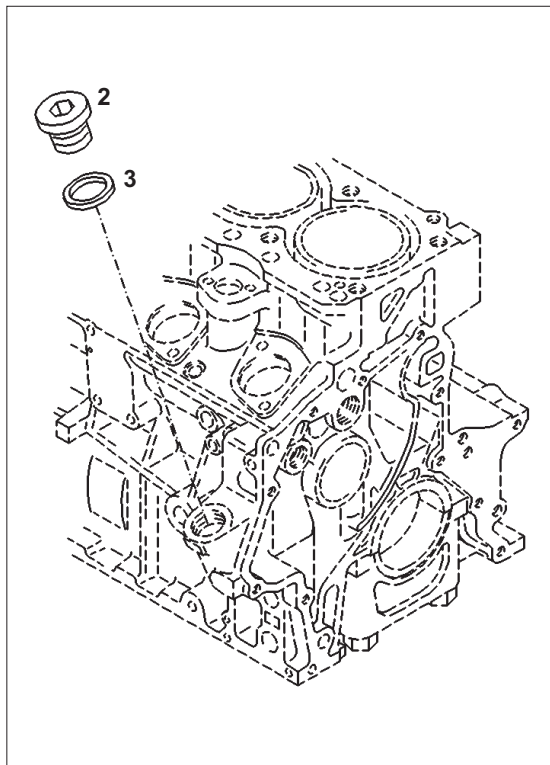
| Ref No. | Part No. | Description | Quantity |
|---------|----------|----------------------------|----------|
| 1 | 138861 | FLYWHEEL (INCLUDES ITEM 2) | 1 |
| 2 | 138860 | RIM/GEAR | 1 |
| 3 | 133335 | BOLT/SCREW | 8 |



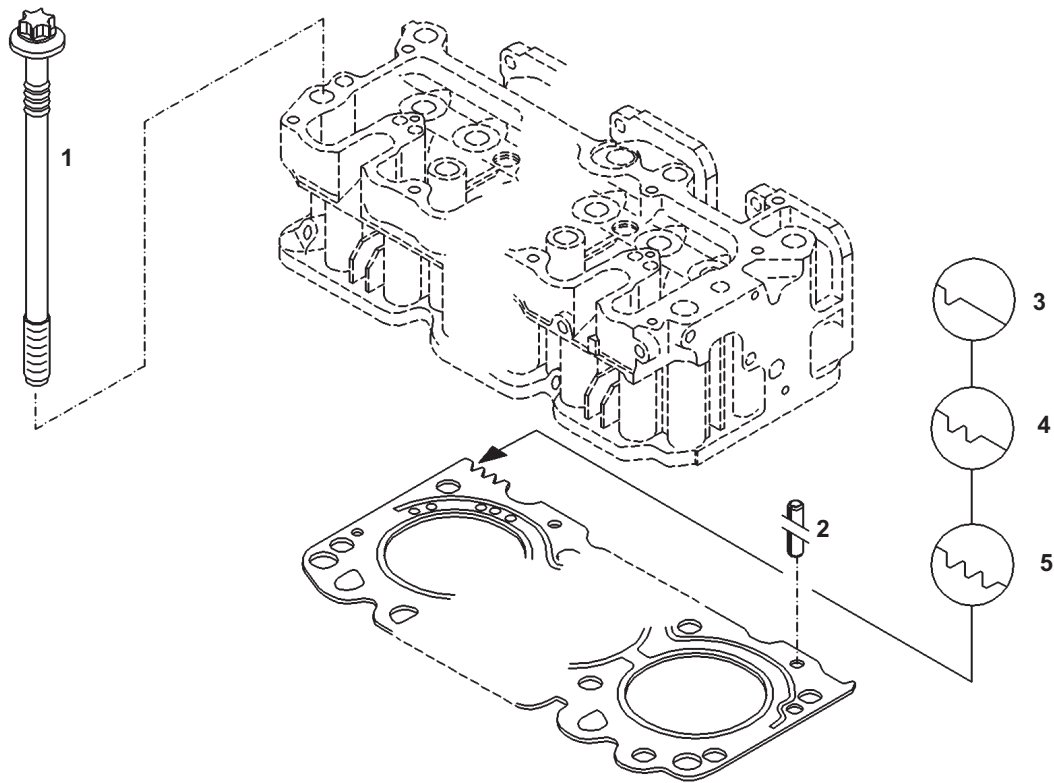
| Ref. No. | Part No. | Description | Quantity | |
|----------|----------|--|----------|-----------|
| | | | F3M/F4M | BF3M/BF4M |
| 1 | 187194 | ROD/CONNECTING (INCLUDES ITEMS 2-4) | - | 1 |
| | 187123 | ROD/CONNECTING (INCLUDES ITEMS 2-4) | 1 | - |
| 2 | 187124 | BOLT/BIG END | 2 | 2 |
| 3 | 133319 | BUSHING/BIG END STANDARD 29.06-29.10MM | 1 | - |
| | 133357 | BUSHING/BIG END STANDARD 33.07-33.11MM | - | 1 |
| 3A | 133320 | BUSHING/BIG END OVERSIZE 29.31-29.35MM | 1 | - |
| | 133358 | BUSHING/BIG END OVERSIZE 33.23-33.36MM | - | 1 |



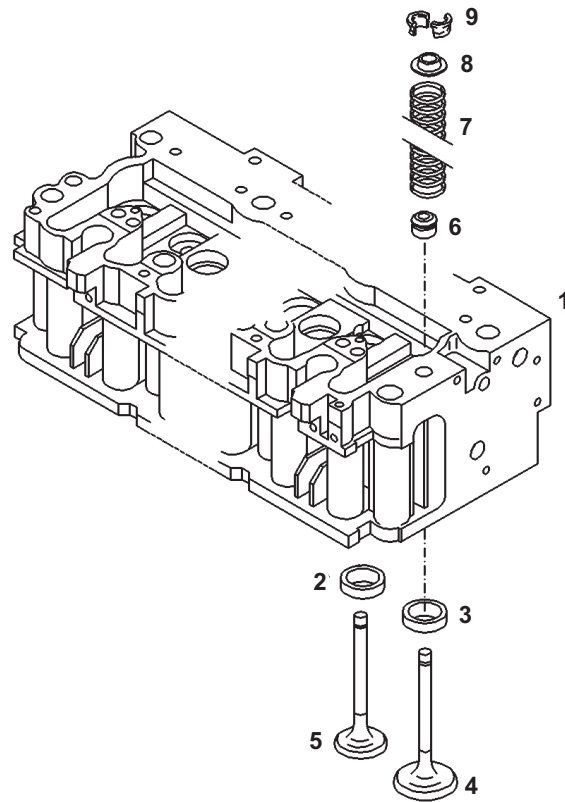
| Ref No. | Part No. | Description | Quantity | |
|---------|----------|---------------------|----------|-----------|
| | | | F3M/F4M | BF3M/BF4M |
| 1 | 187255 | PISTON "A" | 1 | - |
| | 187228 | PISTON "A" | - | 1 |
| 2 | 133317 | PIN/PISTON | 1 | - |
| | 133369 | PIN/PISTON | - | 1 |
| 3 | 187257 | RING/SNAP | 2 | - |
| | 133159 | RING/SNAP | - | 2 |
| 4 | 187117 | RINGS/SET OF PISTON | 1 | - |
| | 187116 | RINGS/SET OF PISTON | - | 1 |
| 5 | 187258 | PISTON "B" | 1 | - |



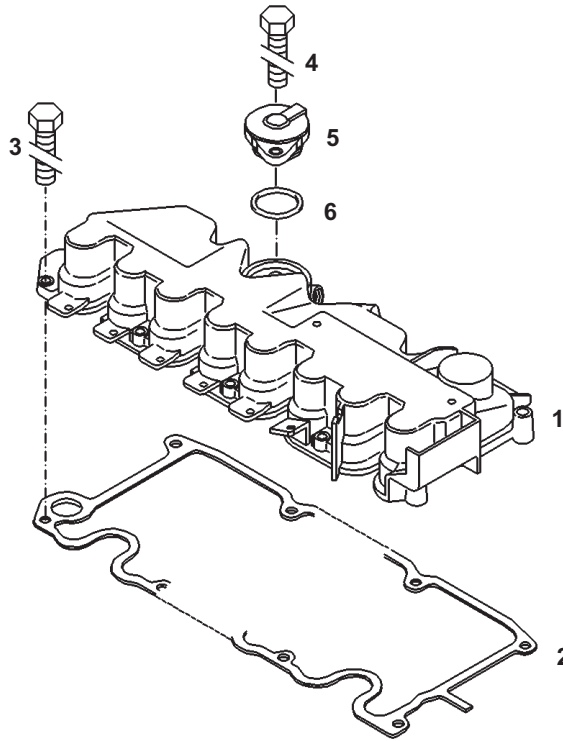
| Ref No. | Part No. | Description | Quantity |
|---------|----------|--------------|----------|
| 1 | 133444 | CAP/FILLER | 1 |
| 2 | 187132 | PLUG/SCREW | 1 |
| 3 | 187133 | RING/SEALING | 1 |



| Ref No. | Part No. | Description | Quantity | | | |
|---------|----------|----------------------|----------|------|-----|------|
| | | | F3M | BF3M | F4M | BF4M |
| 1 | 135535 | BOLT/CYLINDER HEAD | 8 | 8 | 10 | 10 |
| 2 | 133427 | PIN/SPIRAL | 2 | 2 | 2 | 2 |
| 3 | 187109 | GASKET/CYLINDER HEAD | 1 | - | - | - |
| | 192783 | GASKET/CYLINDER HEAD | - | 1 | - | - |
| | 187106 | GASKET/CYLINDER HEAD | - | - | 1 | - |
| 4 | 187156 | GASKET/CYLINDER HEAD | - | - | - | 1 |
| | 187108 | GASKET/CYLINDER HEAD | 1 | - | - | - |
| | 194287 | GASKET/CYLINDER HEAD | - | 1 | - | - |
| | 187105 | GASKET/CYLINDER HEAD | - | - | 1 | - |
| | 187157 | GASKET/CYLINDER HEAD | - | - | - | 1 |
| 5 | 187107 | GASKET/CYLINDER HEAD | 1 | - | - | - |
| | 194288 | GASKET/CYLINDER HEAD | - | 1 | - | - |
| | 187104 | GASKET/CYLINDER HEAD | - | - | 1 | - |
| | 187158 | GASKET/CYLINDER HEAD | - | - | - | 1 |

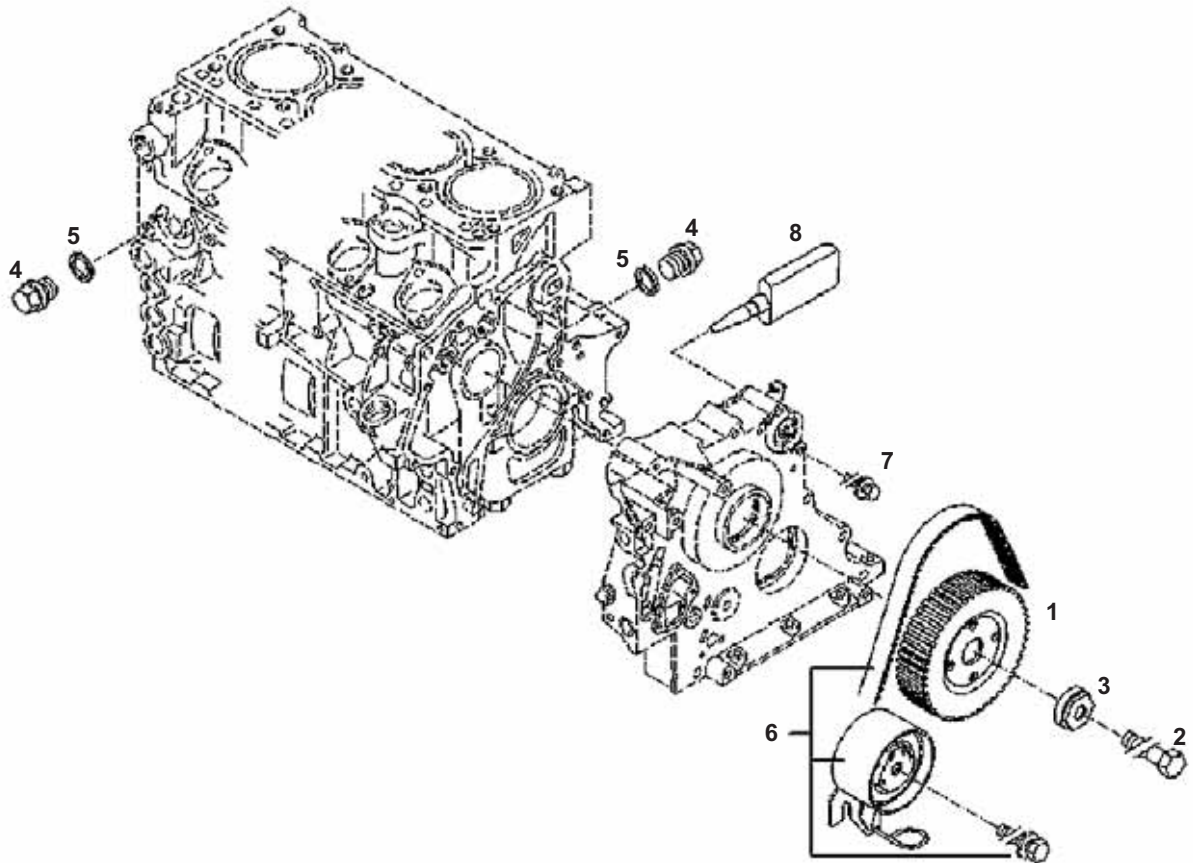


| Ref No. | Part No. | Description | Quantity | | | |
|---------|----------|------------------------------------|----------|-----|------|------|
| | | | F3M | F4M | BF3M | BF4M |
| 1 | 187134 | HEAD/CYLINDER (INCLUDES ITEMS 2-9) | 1 | - | - | - |
| | 187135 | HEAD/CYLINDER (INCLUDES ITEMS 2-9) | - | 1 | - | - |
| | 187111 | HEAD/CYLINDER (INCLUDES ITEMS 2-9) | - | - | 1 | - |
| | 187136 | HEAD/CYLINDER (INCLUDES ITEMS 2-9) | - | - | - | 1 |
| 2 | 187147 | INSERT/VALVE SEAT EXHAUST | 3 | 4 | 3 | 4 |
| 2A | 187224 | INSERT/VALVE SEAT 1ST OVERSIZE | 3 | 4 | - | - |
| | 187149 | INSERT/VALVE SEAT 1ST OVERSIZE | - | - | 3 | 4 |
| 3 | 187150 | INSERT/VALVE SEAT INTAKE | 3 | 4 | 3 | 4 |
| 3A | 133327 | INSERT/VALVE SEAT 1ST OVERSIZE | 3 | 4 | 3 | 4 |
| 4 | 187130 | VALVE/INLET | 3 | 4 | - | - |
| | 187125 | VALVE/INLET | - | - | 3 | 4 |
| 5 | 187146 | VALVE/EXHAUST | 3 | 4 | 3 | 4 |
| 6 | 133352 | SEAL/VALVE STEM | 6 | 8 | 6 | 8 |
| 7 | 133456 | SPRING/COMPRESSION | 6 | 8 | 6 | 8 |
| 8 | 187148 | CAP/SPRING | 6 | 8 | - | - |
| | 187101 | CAP/SPRING | - | - | 6 | 8 |
| 9 | 133322 | COLLET/VALVE | 12 | 16 | 12 | 16 |

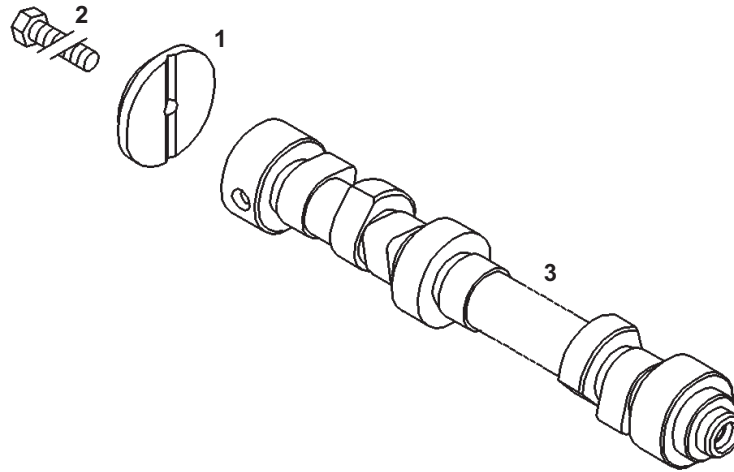


| Ref No. | Part No. | Description | Quantity | | |
|---------|----------|--------------------------|----------|------|----------|
| | | | F3M | BF3M | F4M/BF4M |
| 1 | 135529 | COVER/CYLINDER HEAD HARD | 1 | 1 | - |
| | 194292a | COVER/CYLINDER HEAD HARD | - | 1 | - |
| | 133565 | COVER/CYLINDER HEAD HARD | - | - | 1 |
| 2 | 135528 | GASKET | 1 | - | - |
| | 193050 | GASKET | - | 1 | - |
| | 133566 | GASKET | - | - | 1 |
| 3 | 187264 | BOLT/HEX | 8 | 8 | 10 |
| 4 | 133163 | BOLT/HEX | - | - | 1 |
| 5 | 133426 | VALVE/BREATHER | - | - | 1 |
| 6 | 133250 | O-SEAL | - | - | 1 |
| | 187223 | O-SEAL | 1 | 1 | - |

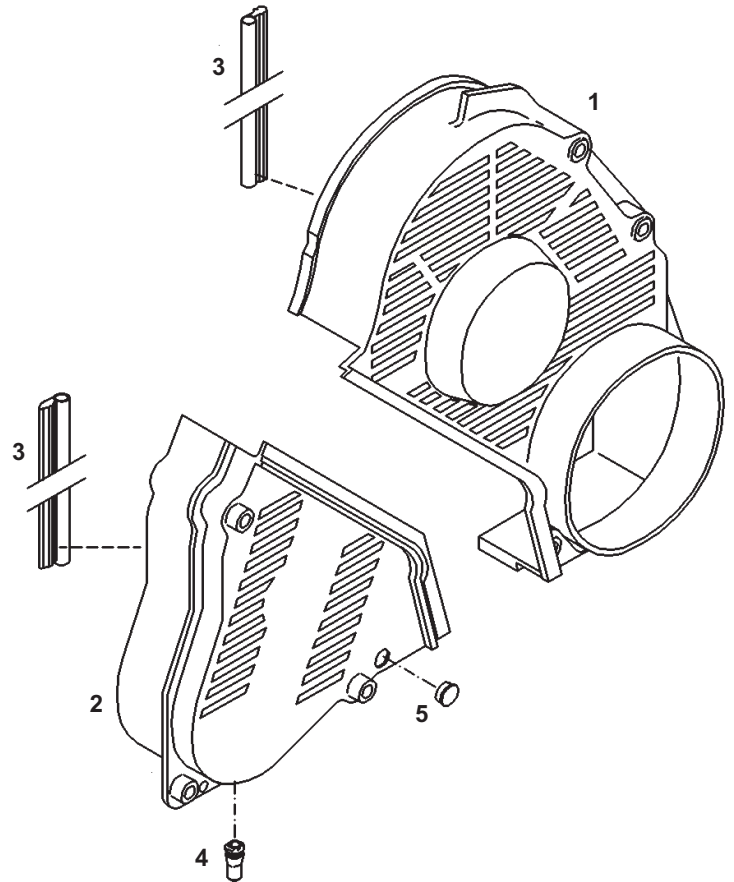
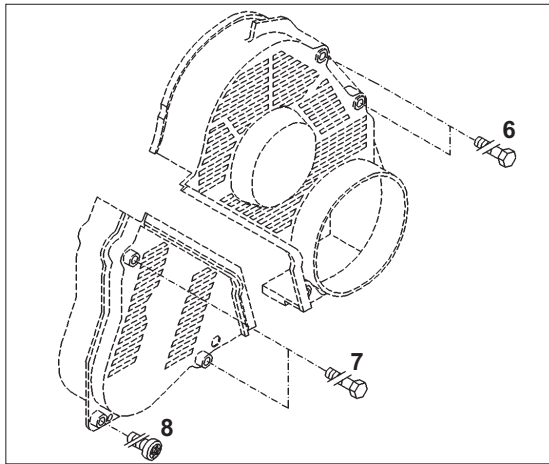
a.) Be sure to check engine serial number to make sure correct part is ordered.



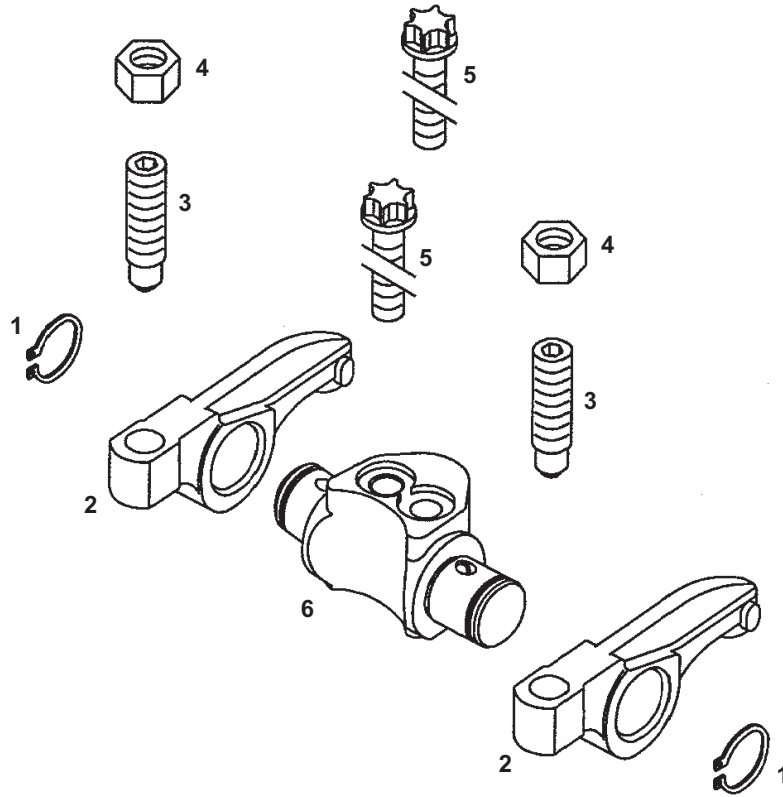
| Ref No. | Part No. | Description | Quantity |
|---------|----------|--------------------------------|----------|
| 1 | 187118 | PULLEY/SYNCHRONIZING BELT | 1 |
| 2 | 133242 | BOLT/HEX 14 X 110MM CLASS 12.9 | 1 |
| 3 | 187119 | WASHER/PLAIN | 1 |
| 4 | 187120 | PLUG/SCREW 10 X 1MM | 2 |
| 5 | 133132 | RING/SEALING 10 X 16MM | 2 |
| 6 | 187121 | KIT/REPAIR | 1 |
| 7 | 187509 | BOLT/HEX | 1 |
| 8 | 187236 | COMPOUND/PACKING | AR |



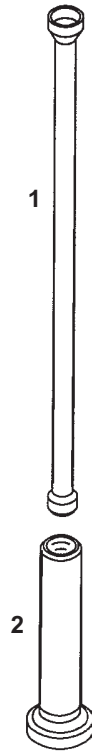
| Ref No. | Part No. | Description | Quantity | | | |
|---------|----------|---------------|----------|-----|------|------|
| | | | F3M | F4M | BF3M | BF4M |
| 1 | 187208 | WASHER/THRUST | 1 | 1 | 1 | 1 |
| 2 | 187209 | BOLT/HEX | 1 | 1 | 1 | 1 |
| 3 | 187164 | CAMSHAFT | 1 | - | - | - |
| | 187210 | CAMSHAFT | - | 1 | - | - |
| | 187225 | CAMSHAFT | - | - | 1 | - |
| | 187129 | CAMSHAFT | - | - | - | 1 |



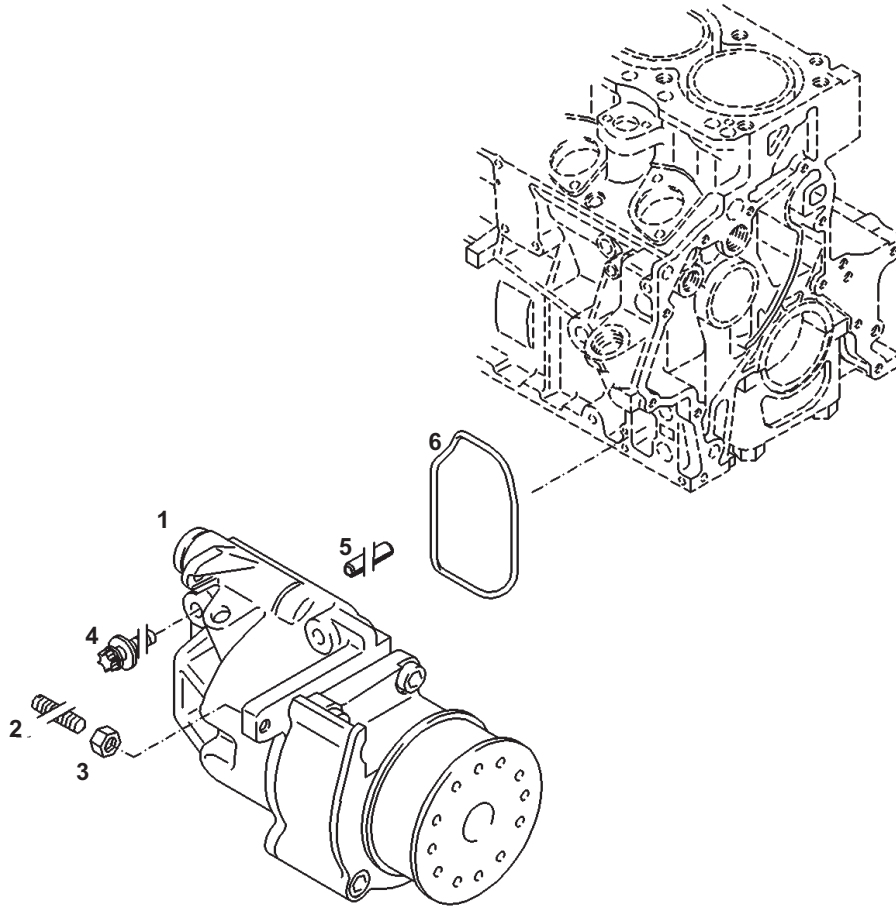
| Ref No. | Part No. | Description | Quantity |
|---------|----------|-----------------------------------|----------|
| 1 | 187144 | HOOD/PROTECTION (INCLUDES ITEM 4) | 1 |
| 2 | 187160 | HOOD/PROTECTION | 1 |
| 3 | 187161 | SECTION/SEALING | 1 |
| 4 | 187140 | GROMMET/RUBBER | 1 |
| 5 | 133216 | PLUG | 1 |
| 6 | 187288 | BOLT/HEX | 3 |
| 7 | 133145 | BOLT/HEX | 2 |
| 8 | 187211 | SCREW/LOCKING | 1 |



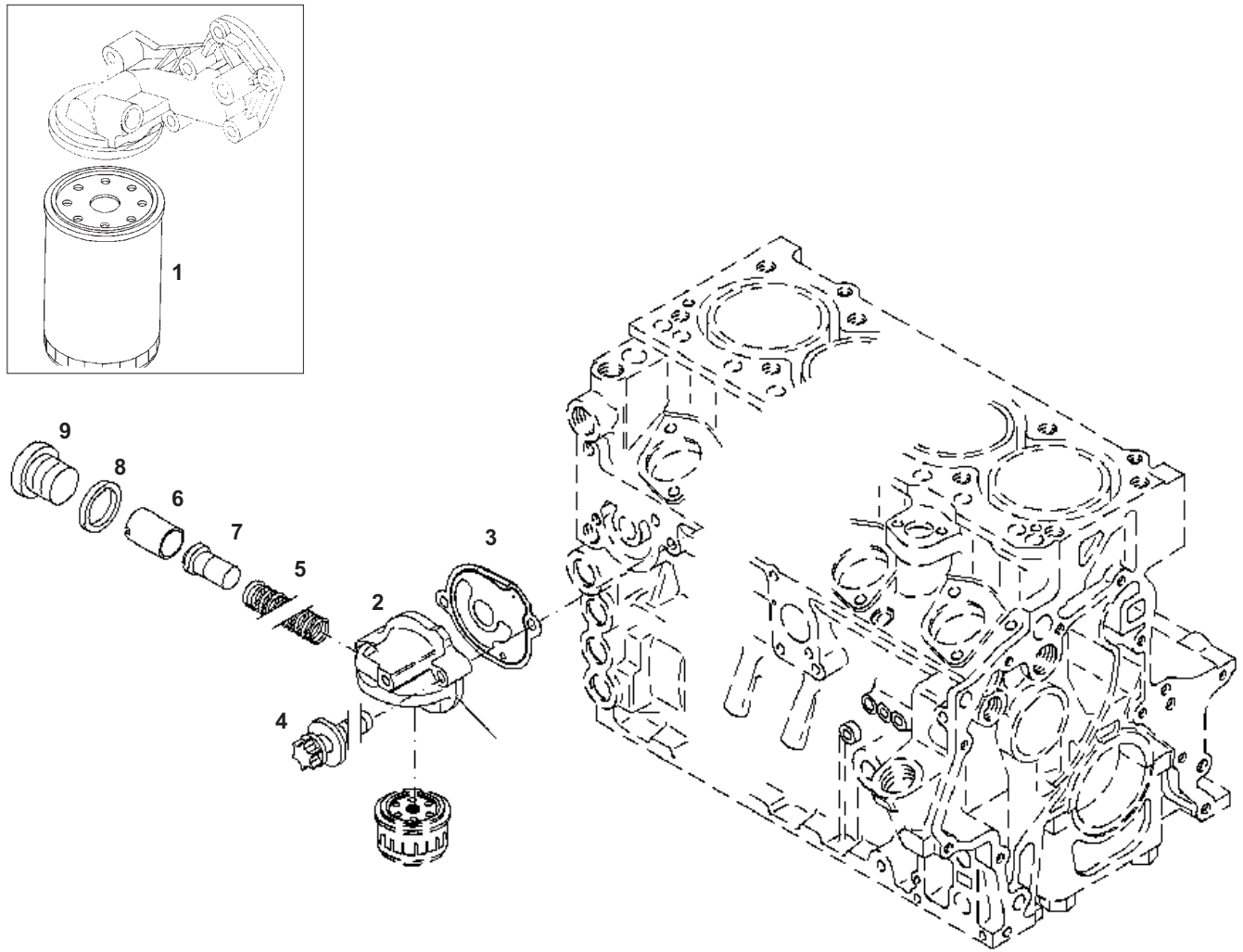
| Ref No. | Part No. | Description | Quantity |
|---------|----------|---|----------|
| 1 | 133113 | CIRCLIP | 2 |
| 2 | 133332 | ARM/ROCKER | 2 |
| 3 | 133333 | SCREW/ADJUSTING | 2 |
| 4 | 133334 | NUT/HEX | 2 |
| 5 | 187237 | BOLT/TORX HEAD | 2 |
| 6 | 133375 | BRACKET/ROCKER ARM (INCLUDES ITEMS 1-4) | 1 |



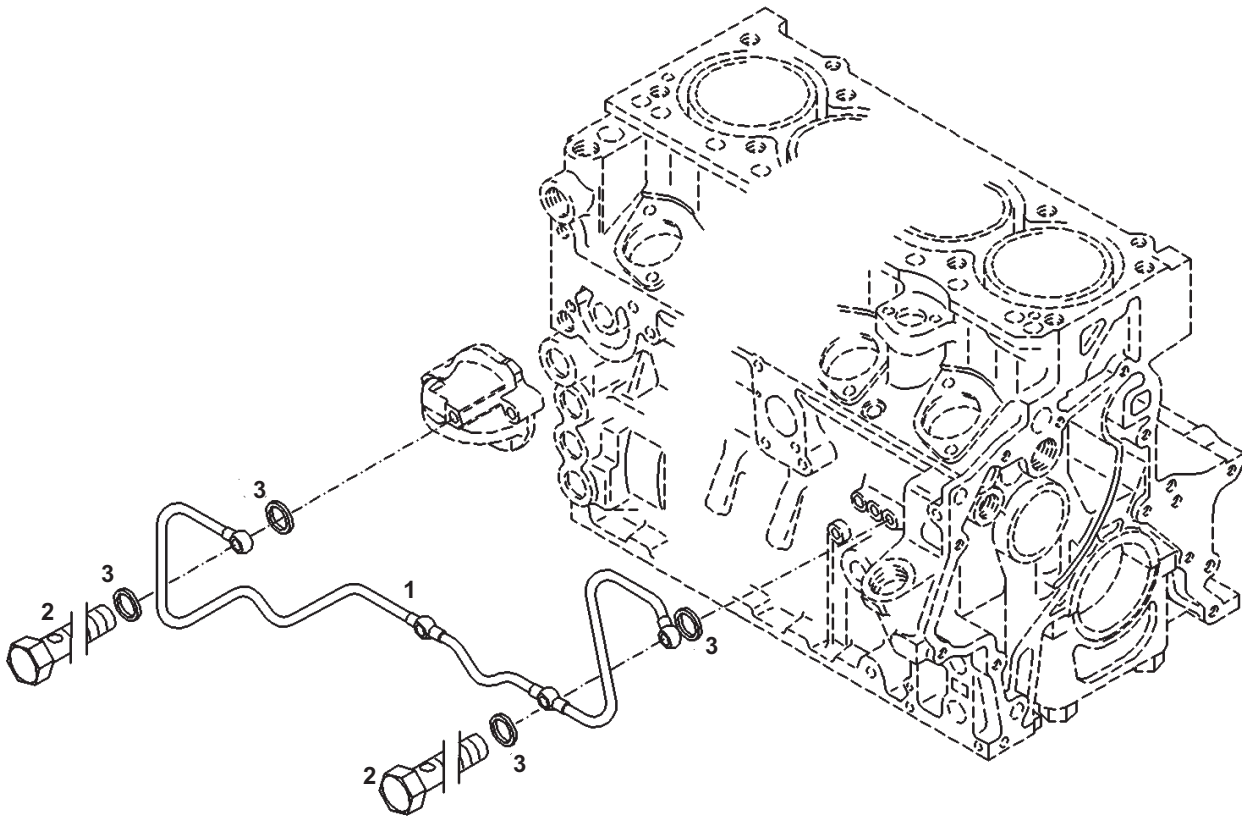
| Ref No. | Part No. | Description | Quantity |
|---------|----------|--------------|----------|
| 1 | 133330 | ROD/PUSH | 2 |
| 2 | 133402 | TAPPET/VALVE | 2 |



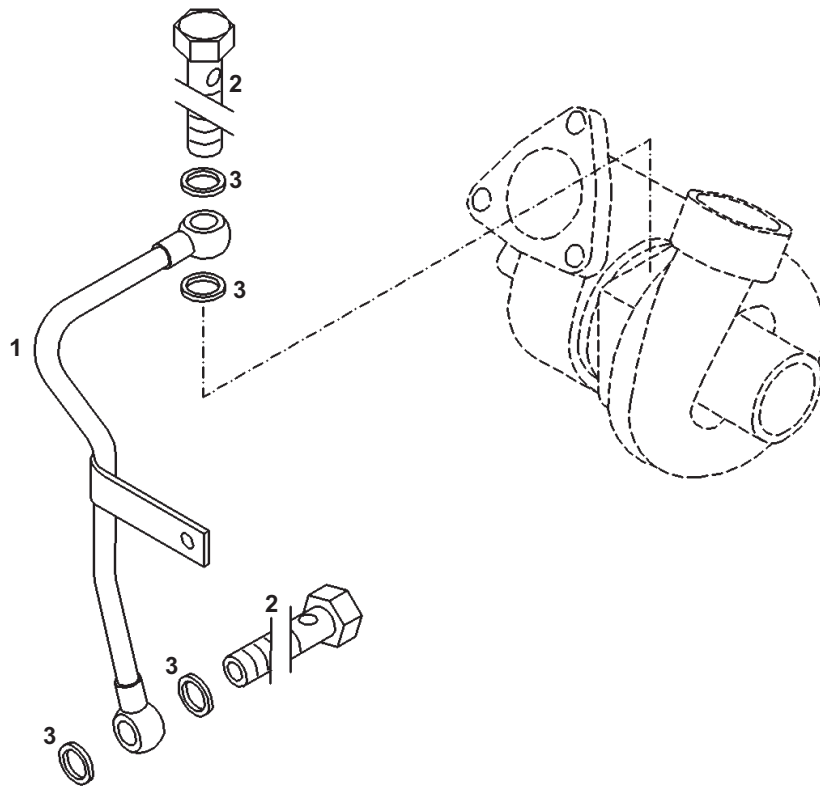
| Ref No. | Part No. | Description | Quantity | | |
|---------|----------|---|----------|------|----------|
| | | | F3M | BF3M | F4M/BF4M |
| 1 | 187139 | PUMP/LUBRICATION OIL (INCLUDES ITEMS 2,3) | 1 | - | - |
| | 187137 | PUMP/LUBRICATION OIL (INCLUDES ITEMS 2,3) | - | 1 | - |
| | 187137 | PUMP/LUBRICATION OIL (INCLUDES ITEMS 2,3) | - | - | 1 |
| 2 | 187266 | SCREW/SET | 1 | 1 | 1 |
| 3 | 187267 | NUT/HEX | 1 | 1 | 1 |
| 4 | 187230 | BOLT/TORX HEAD | 4 | 4 | 4 |
| 5 | 133428 | PIN/SPIRAL | 2 | 2 | 2 |
| 6 | 133440 | RING/SEALING | 1 | 1 | 1 |



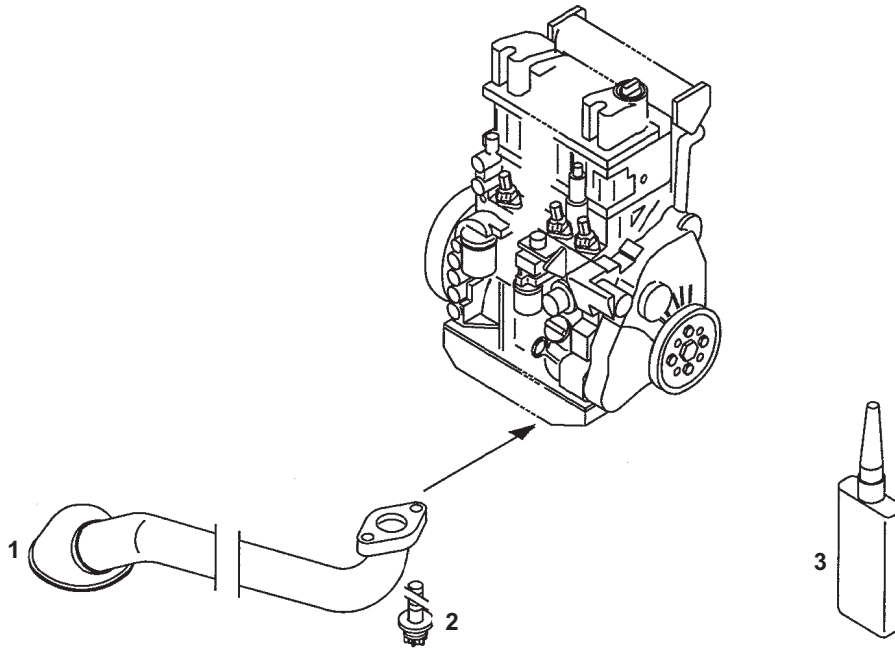
| Ref No. | Part No. | Description | Quantity |
|---------|----------|--------------------|----------|
| 1 | 132023 | FILTER/SPIN-ON | 1 |
| 2 | 187200 | BRACKET | 1 |
| 3 | 187201 | GASKET | 1 |
| 4 | 187229 | BOLT/TORX-HEAD | 2 |
| 5 | 187202 | SPRING/COMPRESSION | 1 |
| 6 | 187203 | VALVE/CONTROL | 1 |
| 7 | 187204 | SENSOR/TEMPERATURE | 1 |
| 8 | 133139 | RING/SEALING | 1 |
| 9 | 133109 | PLUG/SCREW | 1 |



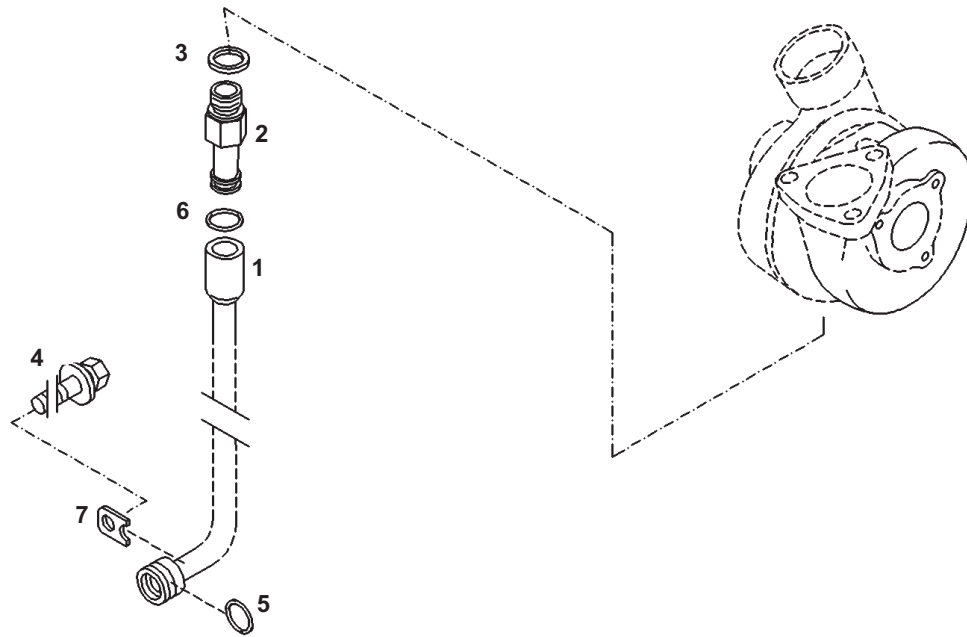
| Ref No. | Part No. | Description | Quantity | |
|---------|----------|--------------|----------|----------|
| | | | F3M/BF3M | F4M/BF4M |
| 1 | 187165 | LINE/PILOT | 1 | - |
| | 187280 | LINE/PILOT | - | 1 |
| 2 | 187281 | SCREW/HOLLOW | 3 | 4 |
| 3 | 187282 | RING/SEALING | 6 | 8 |



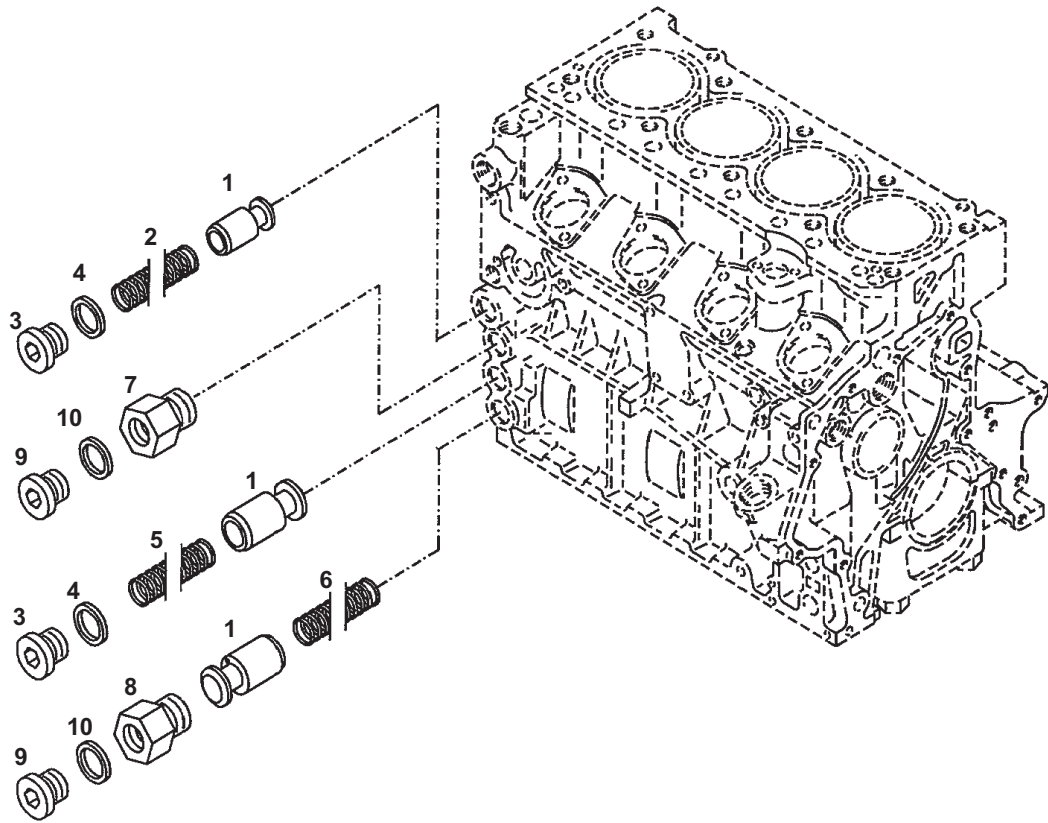
| Ref No. | Part No. | Description | Quantity BF3M/BF4M |
|---------|----------|----------------------|-----------------------|
| 1 | 133498 | LINE/LUBRICATION OIL | 1 |
| 2 | 133141 | SCREW/HOLLOW | 2 |
| 3 | 133133 | RING/SEALING | 4 |



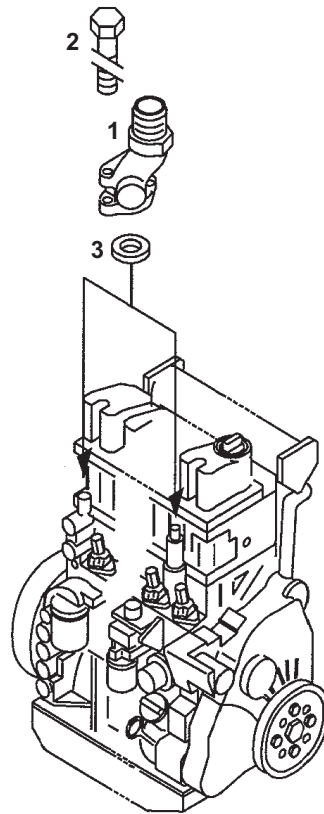
| Ref No. | Part No. | Description | Quantity | |
|---------|----------|------------------|----------|----------|
| | | | F3M/BF3M | F4M/BF4M |
| 1 | 135517 | PIPE/OIL SUCTION | 1 | - |
| | 187189 | PIPE/OIL SUCTION | - | 1 |
| 2 | 187232 | BOLT/TORX HEAD | 2 | 2 |
| 3 | 133103 | COMPOUND/PACKING | AR | AR |



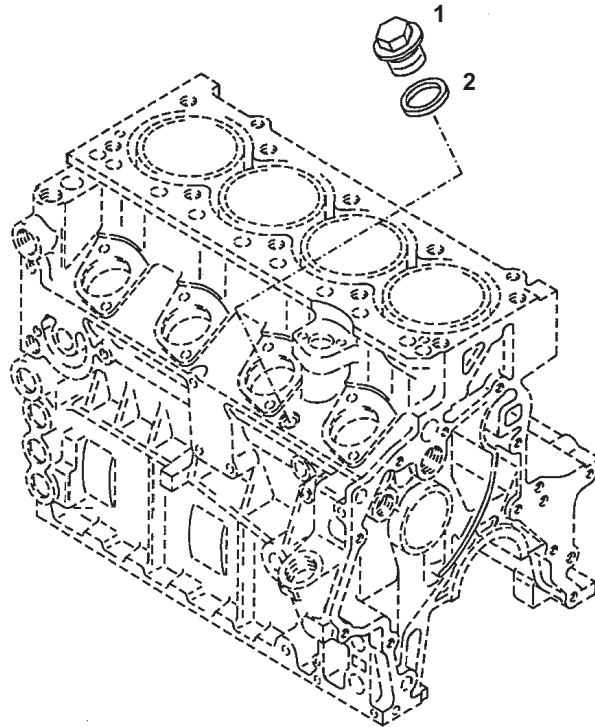
| Ref No. | Part No. | Description | Quantity | |
|---------|----------|-----------------|----------|------|
| | | | BF3M | BF4M |
| 1 | 133550 | LINE/OIL RETURN | 1 | - |
| | 133495 | LINE/OIL RETURN | - | 1 |
| 2 | 133478 | NIPPLE/SCREW-IN | 1 | 1 |
| 3 | 133135 | RING/SEALING | 1 | 1 |
| 4 | 187235 | BOLT/HEX | 1 | 1 |
| 5 | 187222 | O-SEAL | 1 | 1 |
| 6 | 133259 | O-RING 12 X 3MM | 1 | 1 |
| 7 | 133551 | PLATE/RETAINING | 1 | 1 |



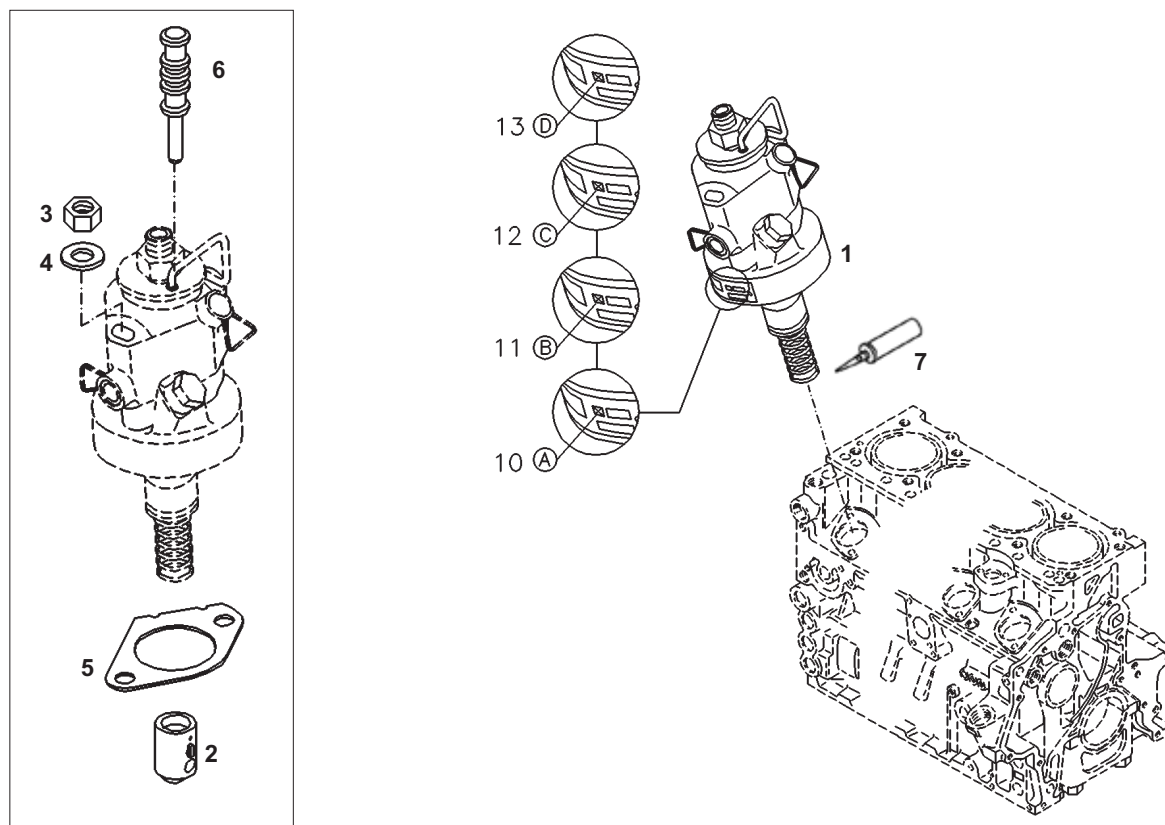
| Ref No. | Part No. | Description | Quantity |
|---------|----------|------------------------|----------|
| 1 | 133414 | VALVE | 3 |
| 2 | 133415 | SPRING/COMPRESSION | 1 |
| 3 | 133109 | PLUG/SCREW 24 X 1.5MM | 2 |
| 4 | 133139 | RING/SEALING 24 X 29MM | 2 |
| 5 | 133451 | SPRING/COMPRESSION | 1 |
| 6 | 133416 | SPRING/COMPRESSION | 1 |
| 7 | 133409 | NIPPLE/ADAPTER | 1 |
| 8 | 133410 | NIPPLE/ADAPTER | 1 |
| 9 | 133176 | PLUG/SCREW 18 X 1.5MM | 2 |
| 10 | 133136 | RING/SEALING 18 X 20MM | 2 |



| Ref No. | Part No. | Description | Quantity |
|---------|----------|------------------------------|----------|
| 1 | 187181 | CONNECTION/RADIATOR | 2 |
| 2 | 133165 | BOLT/HEX 6 X 60MM CLASS 10.9 | 4 |
| 3 | 133245 | RING/SEALING 21.8 X 1.5MM | 2 |



| Ref No. | Part No. | Description | Quantity |
|---------|----------|------------------------|----------|
| 1 | 133116 | PLUG/SCREW 10 X 1MM | 1 |
| 2 | 133132 | RING/SEALING 10 X 16MM | 1 |



| Ref No. | Part No. | Description | Quantity | | | |
|---------|----------|----------------------------|----------|-----|------|------|
| | | | F3M | F4M | BF3M | BF4M |
| 1 | REF | PUMP/FUEL INJECTION | - | - | - | - |
| 2 | 187246 | TAPPET/ROLLER | 3 | 4 | 3 | 4 |
| 3 | 133126 | NUT/HEX | 6 | 8 | 6 | 8 |
| 4 | 133337 | WASHER/PLAIN | 6 | 8 | 6 | 8 |
| 5 | 190364 | GASKET/COMPENSATION 0.35MM | AR | AR | AR | AR |
| 5A | 190365 | GASKET/COMPENSATION 0.4MM | AR | AR | AR | AR |
| 5B | 133419 | GASKET/COMPENSATION 0.45MM | AR | AR | AR | AR |
| 5C | 190366 | GASKET/COMPENSATION 0.5MM | AR | AR | AR | AR |
| 5D | 133420 | GASKET/COMPENSATION 0.55MM | AR | AR | AR | AR |
| 5E | 190367 | GASKET/COMPENSATION 0.6MM | AR | AR | AR | AR |
| 5F | 133421 | GASKET/COMPENSATION 0.65MM | AR | AR | AR | AR |
| 5G | 190368 | GASKET/COMPENSATION 0.7MM | AR | AR | AR | AR |
| 5H | 133422 | GASKET/COMPENSATION 0.75MM | AR | AR | AR | AR |
| 5I | 190369 | GASKET/COMPENSATION 0.8MM | AR | AR | AR | AR |
| 5J | 133423 | GASKET/COMPENSATION 0.85MM | AR | AR | AR | AR |
| 5K | 190370 | GASKET/COMPENSATION 0.9MM | AR | AR | AR | AR |
| 5L | 133424 | GASKET/COMPENSATION 0.95MM | AR | AR | AR | AR |
| 5M | 187251 | GASKET/COMPENSATION 1.0MM | AR | AR | AR | AR |
| 5N | 187152 | GASKET/COMPENSATION 1.05MM | AR | AR | AR | AR |
| 5O | 190371 | GASKET/COMPENSATION 1.1MM | AR | AR | AR | AR |
| 5P | 187151 | GASKET/COMPENSATION 1.15MM | AR | AR | AR | AR |
| 5Q | 190372 | GASKET/COMPENSATION 1.2MM | AR | AR | AR | AR |
| 5R | 190373 | GASKET/COMPENSATION 1.25MM | AR | AR | AR | AR |
| 5S | 190374 | GASKET/COMPENSATION 1.3MM | AR | AR | AR | AR |
| 6 | 187247 | PLUG | 3 | 4 | 3 | 4 |
| 7 | 194281 | DEVICE/MOUNTING | 1 | 1 | 1 | 1 |

Continued on Next Page

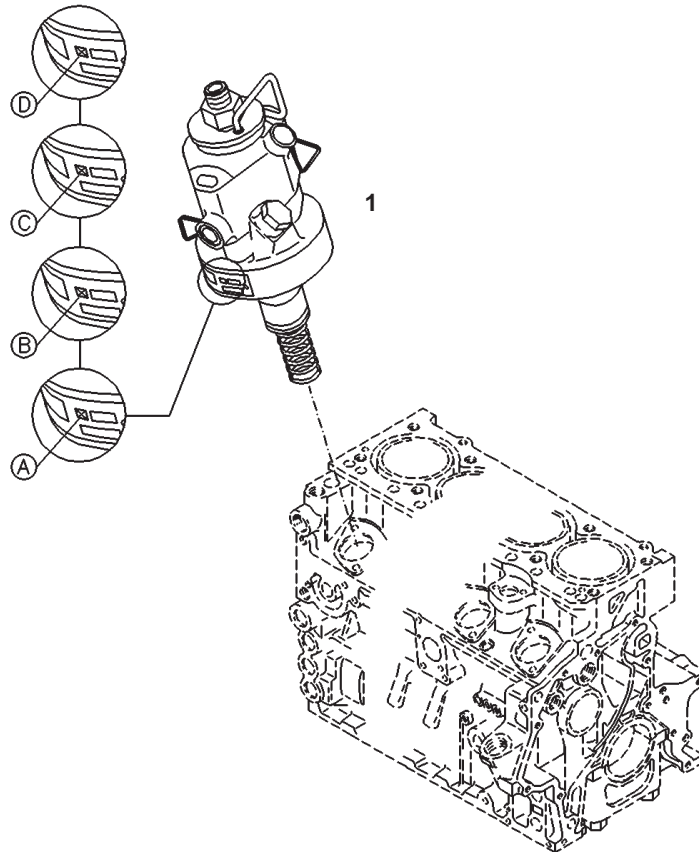
4-Cyl Turbo Engines
SN 882468 - 946072

3- and 4-Cyl NA Engines
SN 946073 - 10022185

3- and 4-Cyl Turbo Engines
SN 949589- 10045201

4-Cyl NA Engines
SN 10033029 and Later

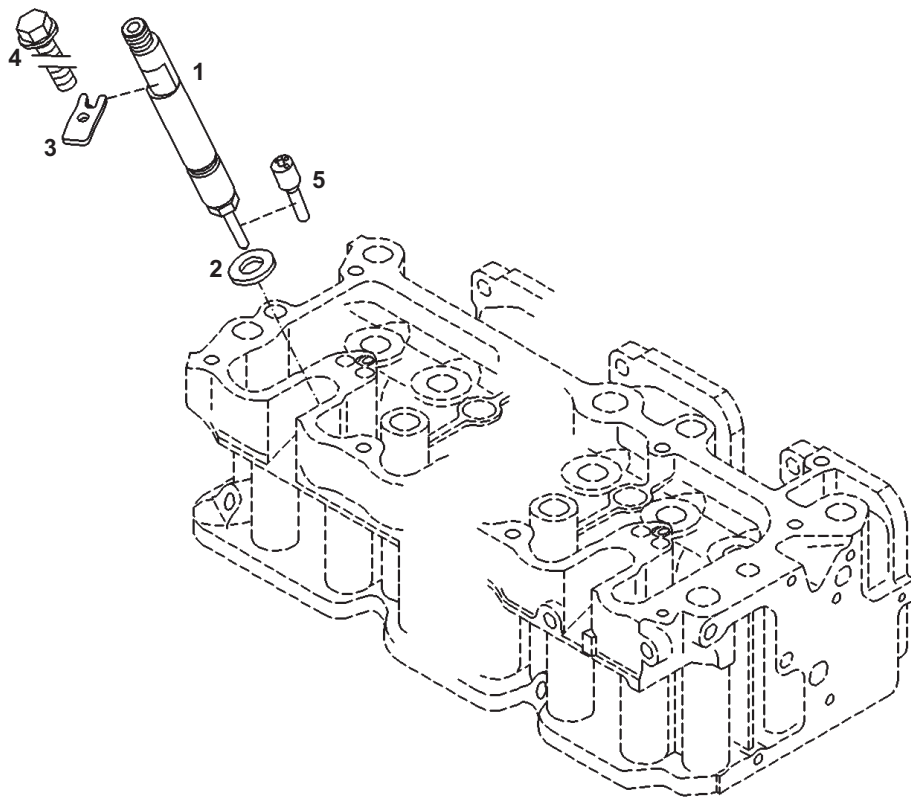
3- and 4-Cyl Turbo Engines
SN 10045202 and Later



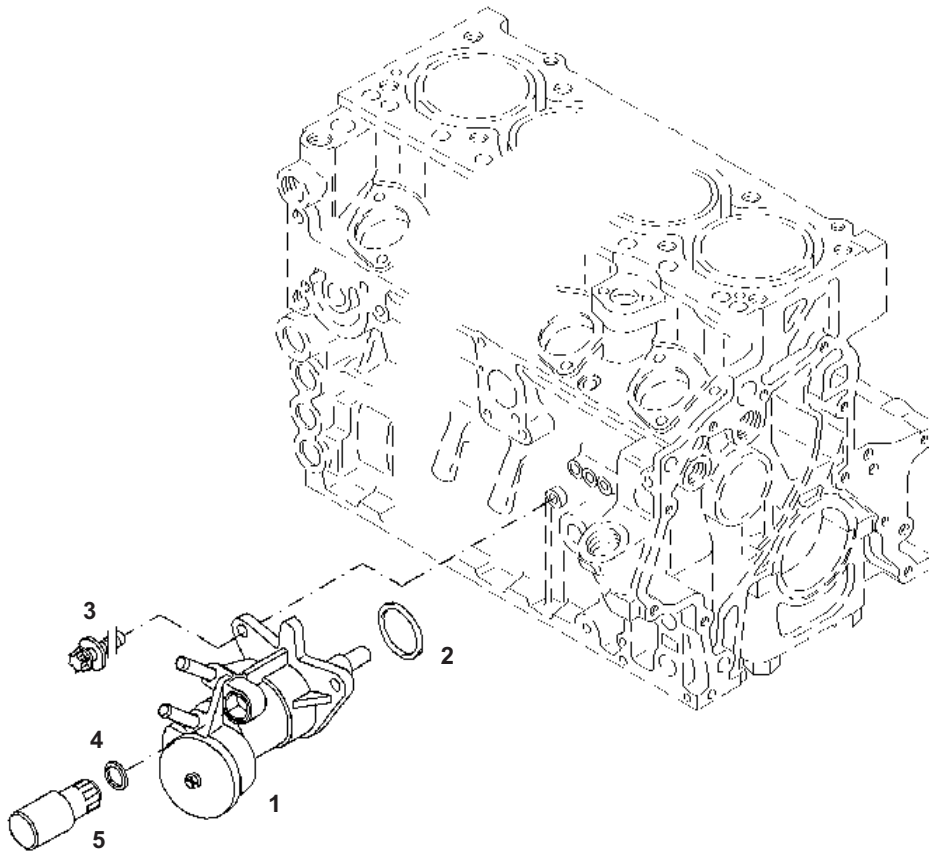
Page Updated 17 August 2007

| Ref No. | Part No. | Description | Quantity | | | |
|------------------------------|----------|---------------------|----------|-----|------|------|
| | | | F3M | F4M | BF3M | BF4M |
| ENGINE SN 882468 - 946072 | | | - | - | - | - |
| 1A | 190379 | PUMP/FUEL INJECTION | - | - | - | 1 |
| B | 190380 | PUMP/FUEL INJECTION | - | - | - | 1 |
| C | 190381 | PUMP/FUEL INJECTION | - | - | - | 1 |
| D | 190382 | PUMP/FUEL INJECTION | - | - | - | 1 |
| ENGINE SN 946073 - 10022185 | | | - | - | - | - |
| 1A | 190383 | PUMP/FUEL INJECTION | 1 | 1 | - | - |
| B | 190384 | PUMP/FUEL INJECTION | 1 | 1 | - | - |
| C | 190385 | PUMP/FUEL INJECTION | 1 | 1 | - | - |
| D | 190386 | PUMP/FUEL INJECTION | 1 | 1 | - | - |
| ENGINE SN 949589 - 10045201 | | | - | - | - | - |
| 1A | 190375 | PUMP/FUEL INJECTION | - | - | 1 | 1 |
| B | 190376 | PUMP/FUEL INJECTION | - | - | 1 | 1 |
| C | 190377 | PUMP/FUEL INJECTION | - | - | 1 | 1 |
| D | 190378 | PUMP/FUEL INJECTION | - | - | 1 | 1 |
| ENGINE SN 10033029 and Later | | | - | - | - | - |
| 1A | 192779 | PUMP/FUEL INJECTION | - | 1 | - | - |
| B | 192780 | PUMP/FUEL INJECTION | - | 1 | - | - |
| C | 192781 | PUMP/FUEL INJECTION | - | 1 | - | - |
| D | 192782 | PUMP/FUEL INJECTION | - | 1 | - | - |
| ENGINE SN 10045202 and Later | | | - | - | - | - |
| 1A | 192720 | PUMP/FUEL INJECTION | - | - | 1 | 1 |
| B | 192721 | PUMP/FUEL INJECTION | - | - | 1 | 1 |
| C | 192722 | PUMP/FUEL INJECTION | - | - | 1 | 1 |
| D | 192723 | PUMP/FUEL INJECTION | - | - | 1 | 1 |

Be sure to check engine serial number before ordering injection pumps.

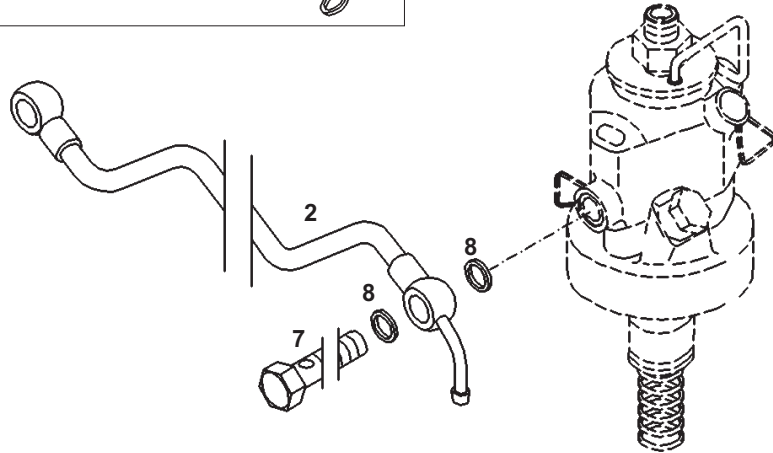
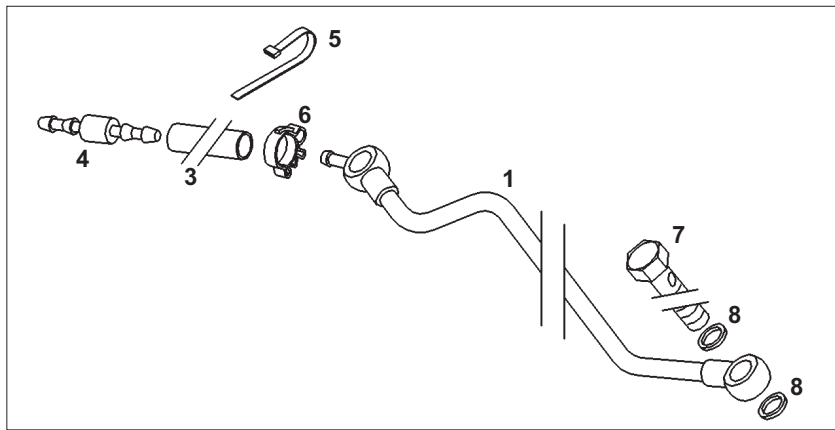


| Ref No. | Part No. | Description | Quantity | |
|---------|----------|----------------|----------|----------|
| | | | F3M/BF3M | F4M/BF4M |
| 1 | 187182 | INJECTOR/FUEL | 3 | 4 |
| 2 | 187183 | RING/SEALING | 3 | 4 |
| 3 | 187184 | CLAW | 3 | 4 |
| 4 | 187185 | BOLT/HEX | 3 | 4 |
| 5 | 187186 | ELEMENT/NOZZLE | 3 | 4 |

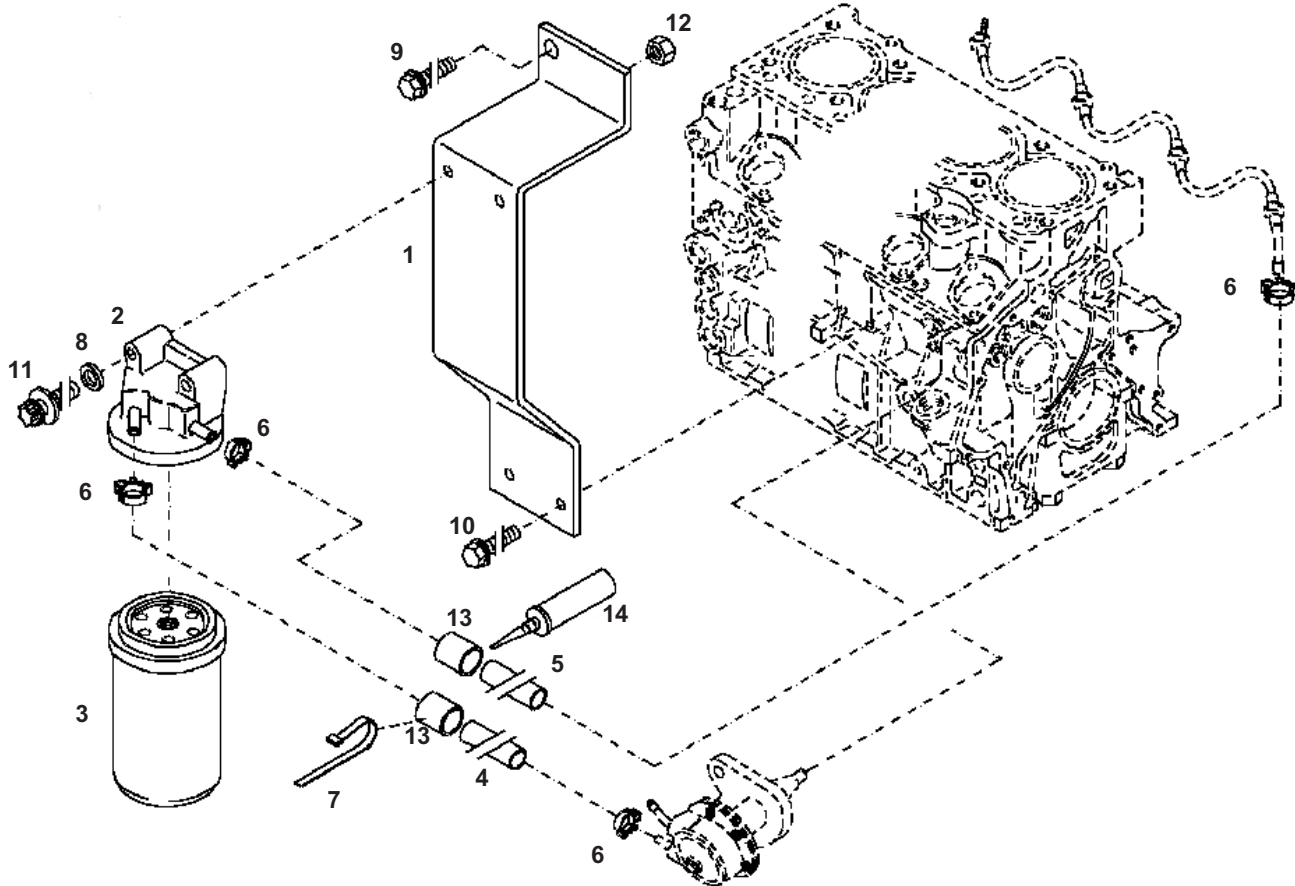


| Ref No. | Part No. | Description | Quantity |
|---------|----------|------------------|----------|
| 1 | 187110 | PUMP/FUEL SUPPLY | 1 |
| | 194452a | PUMP/FUEL SUPPLY | 1 |
| 2 | 133218 | O-SEAL | 1 |
| 3 | 187233 | BOLT/TORX HEAD | 2 |
| 4 | 194453 | RING/SEALING | 1 |
| 5 | 194454 | PUMP/HAND | 1 |

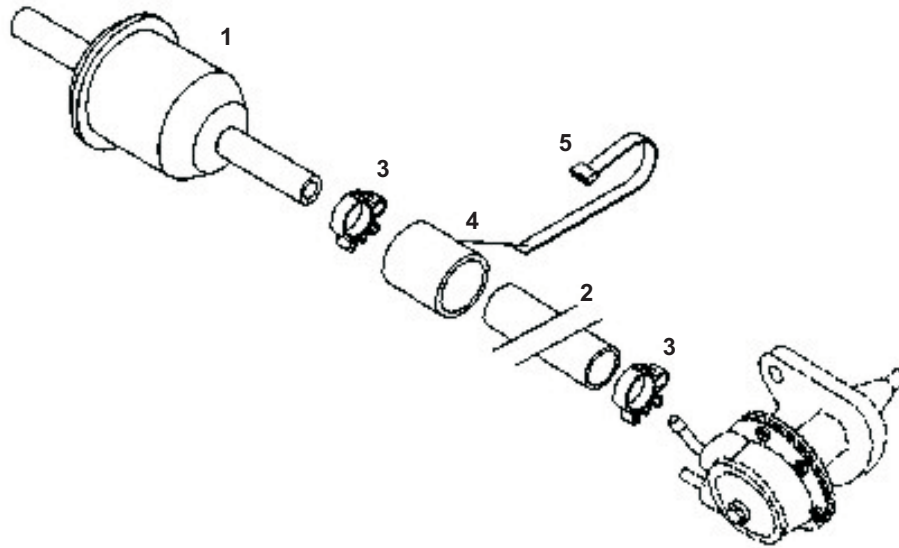
a.) Be sure to check engine serial number to make sure correct part is ordered.



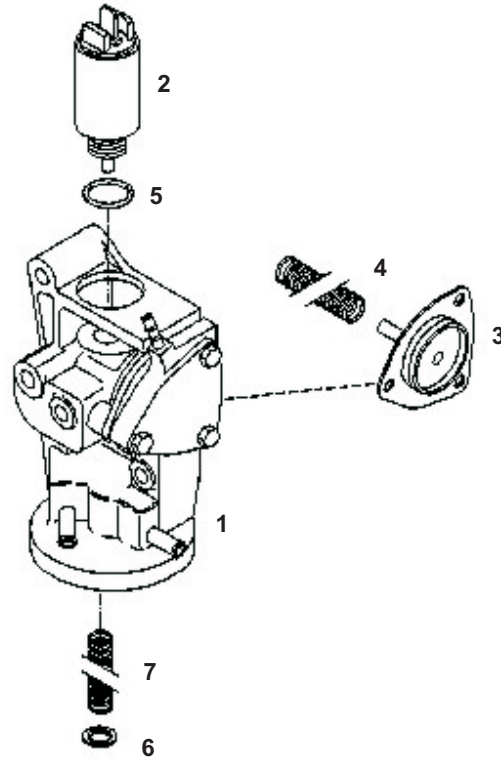
| Ref No. | Part No. | Description | Quantity | |
|---------|----------|------------------|----------|----------|
| | | | F3M/BF3M | F4M/BF4M |
| 1 | 187195 | LINE/FUEL | 1 | - |
| | 190358 | LINE/FUEL | - | 1 |
| 2 | 187188 | LINE/FUEL | 1 | - |
| | 190359 | LINE/FUEL | - | 1 |
| 3 | 187196 | HOSE/RUBBER | 1 | 1 |
| 4 | 187197 | PIECE/CONNECTING | 1 | 1 |
| 5 | 187252 | BAND/CLAMPING | 1 | 1 |
| 6 | 133243 | CLIP/HOSE | 1 | 1 |
| 7 | 133141 | SCREW/HOLLOW | 6 | 8 |
| 8 | 187511 | RING/SEALING | 12 | 16 |



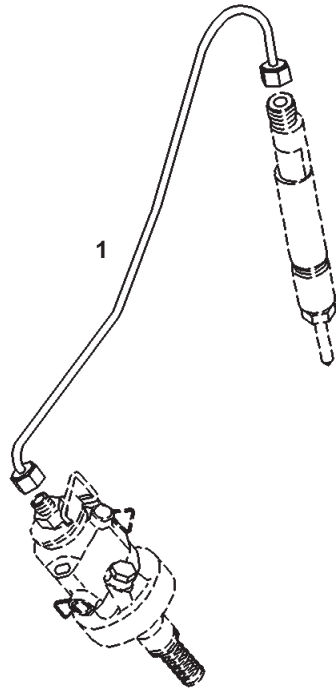
| Ref No. | Part No. | Description | Quantity |
|---------|----------|---------------------|----------|
| 1 | 187191 | BRACKET | 1 |
| 2 | 133429 | BRACKET | 1 |
| 3 | 132024 | FILTER/SPIN-ON FUEL | 1 |
| 4 | 187171 | HOSE/RUBBER | 1 |
| 5 | 187172 | HOSE/RUBBER | 1 |
| 6 | 133243 | CLIP/HOSE | 4 |
| 7 | 187173 | BAND/CLAMPING | 2 |
| 8 | 187174 | WASHER/PLAIN | 1 |
| 9 | 187175 | BOLT/HEX | 1 |
| 10 | 187176 | BOLT/HEX | 2 |
| 11 | 187229 | BOLT/TORX-HEAD | 2 |
| 12 | 187177 | NUT/HEX | 2 |
| 13 | 190356 | HOSE | 1 |
| 14 | 194281 | DEVICE/MOUNTING | 1 |



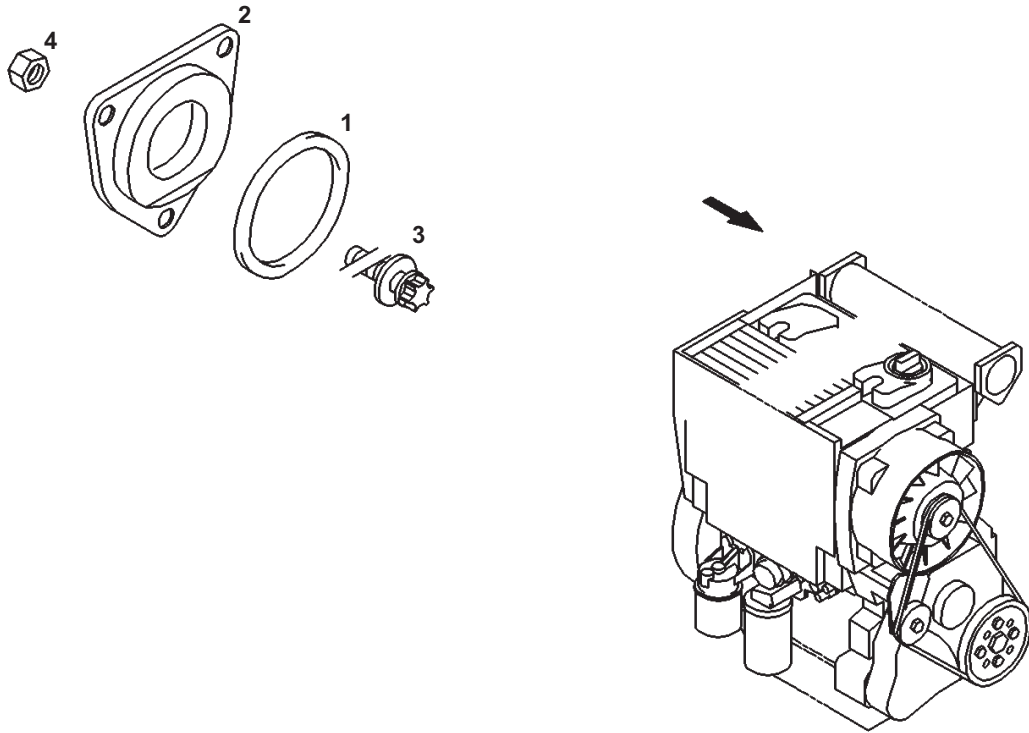
| Ref No. | Part No. | Description | Quantity BF4M/BF3M/F3M |
|---------|----------|---------------|---------------------------|
| 1 | 190355 | FILTER/FUEL | 1 |
| 2 | 190357 | HOSE/RUBBER | 1 |
| 3 | 133243 | CLIP/HOSE | 2 |
| 4 | 190356 | HOSE | 1 |
| 5 | 187173 | BAND/CLAMPING | 1 |



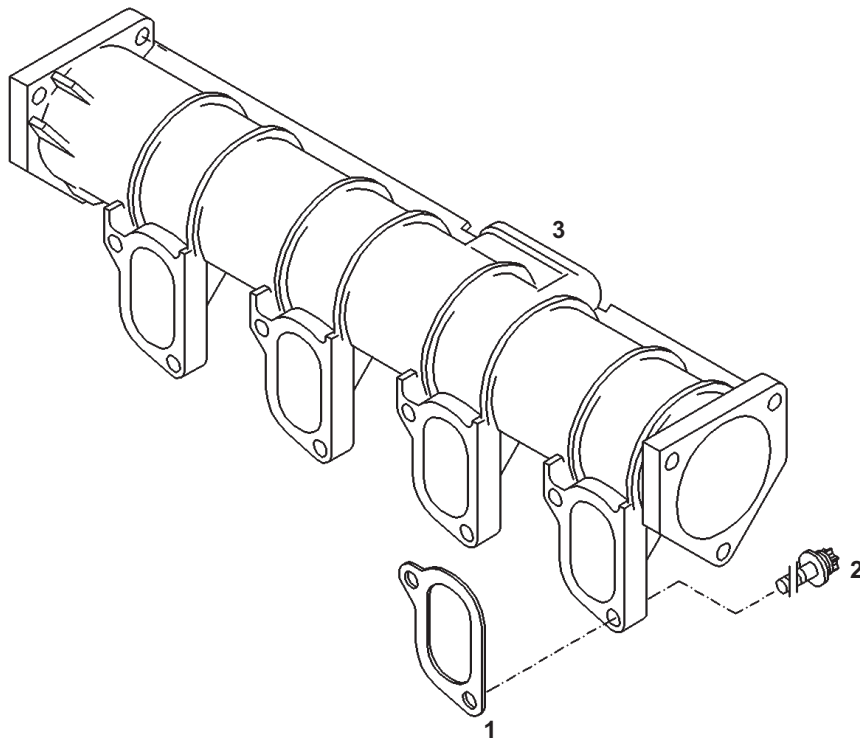
| Ref No. | Part No. | Description | Quantity BF4M |
|---------|----------|--------------------|---------------|
| 1 | 190341 | CONTROL/BOOST | 1 |
| 2 | 187283 | SOLENOID | 1 |
| 3 | 190342 | CUP/DIAPHRAGM | 1 |
| 4 | 190344 | SPRING/COMPRESSION | 1 |
| 5 | 187285 | O-SEAL | 1 |
| 6 | 190343 | RING/SEALING | 1 |
| 7 | 190345 | SPRING/TENSION | 1 |



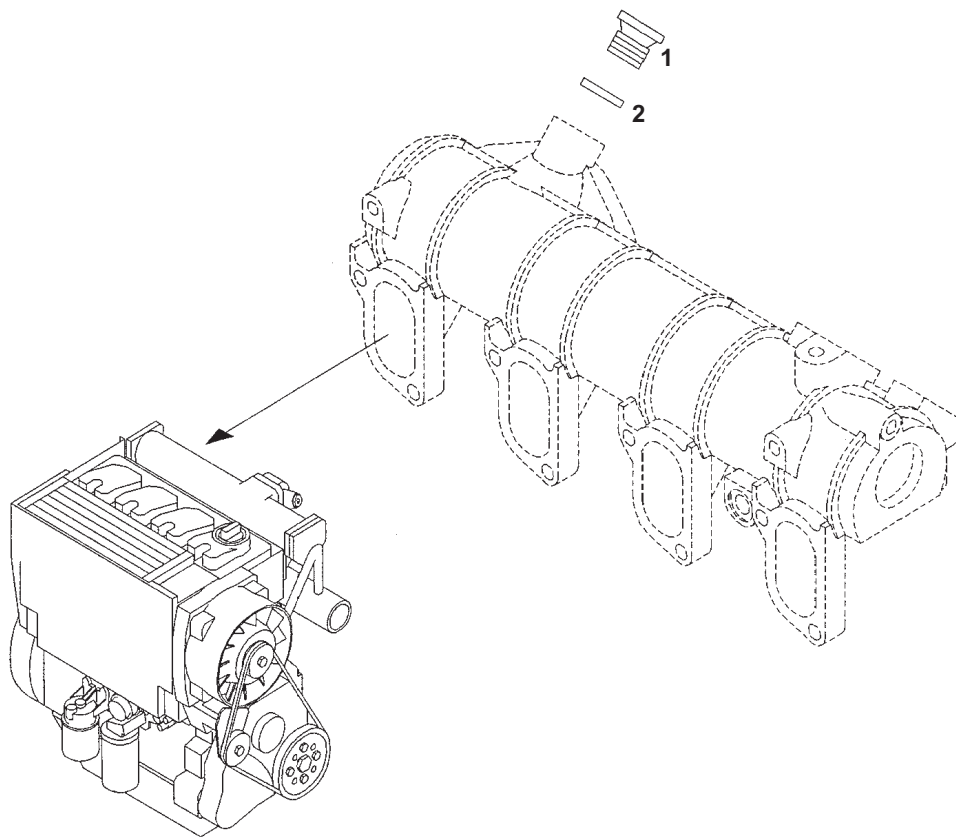
| Ref No. | Part No. | Description | Quantity | |
|---------|----------|--------------------|----------|----------|
| | | | F3M/BF3M | F4M/BF4M |
| 1 | 187190 | PIPE/HIGH PRESSURE | 3 | 4 |



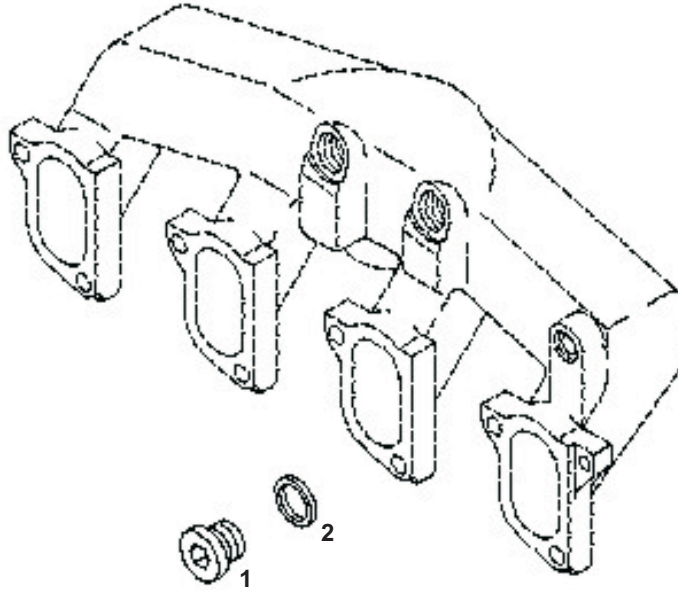
| Ref No. | Part No. | Description | Quantity |
|---------|----------|----------------|----------|
| 1 | 187250 | O-SEAL | 1 |
| 2 | 187199 | FLANGE | 1 |
| 3 | 187248 | BOLT/TORX-HEAD | 1 |
| 4 | 133126 | NUT/HEX | 1 |



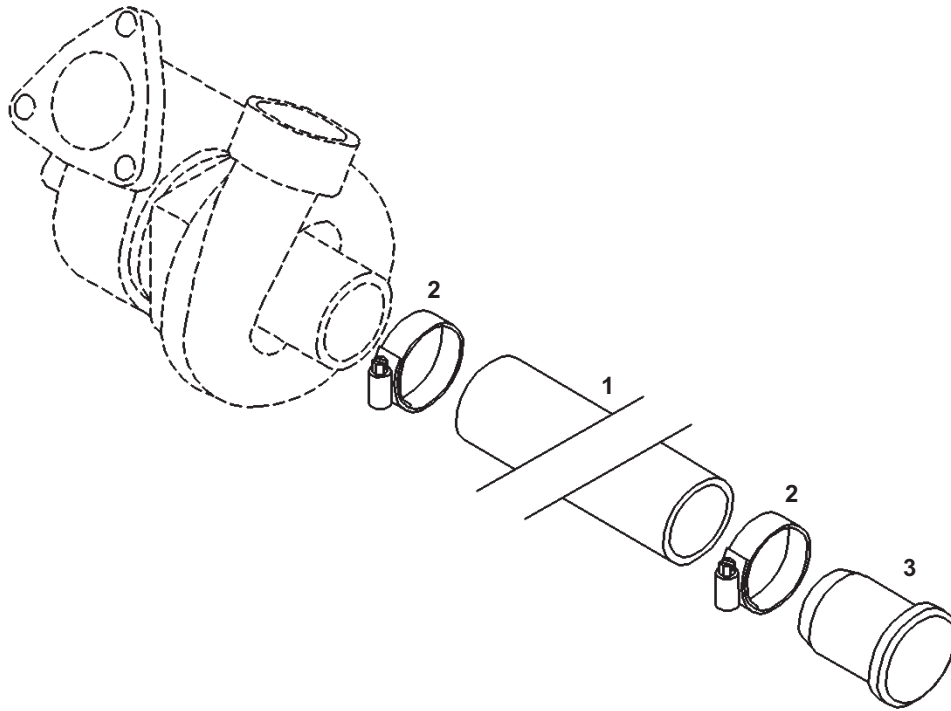
| Ref No. | Part No. | Description | Quantity | |
|---------|----------|-----------------|----------|-----|
| | | | F3M | F4M |
| 1 | 133463 | GASKET | 3 | 4 |
| 2 | 135500 | BOLT/TORX-HEAD | 6 | 8 |
| 3 | 187166 | INTAKE/MANIFOLD | - | 1 |
| | 187167 | INTAKE/MANIFOLD | 1 | - |



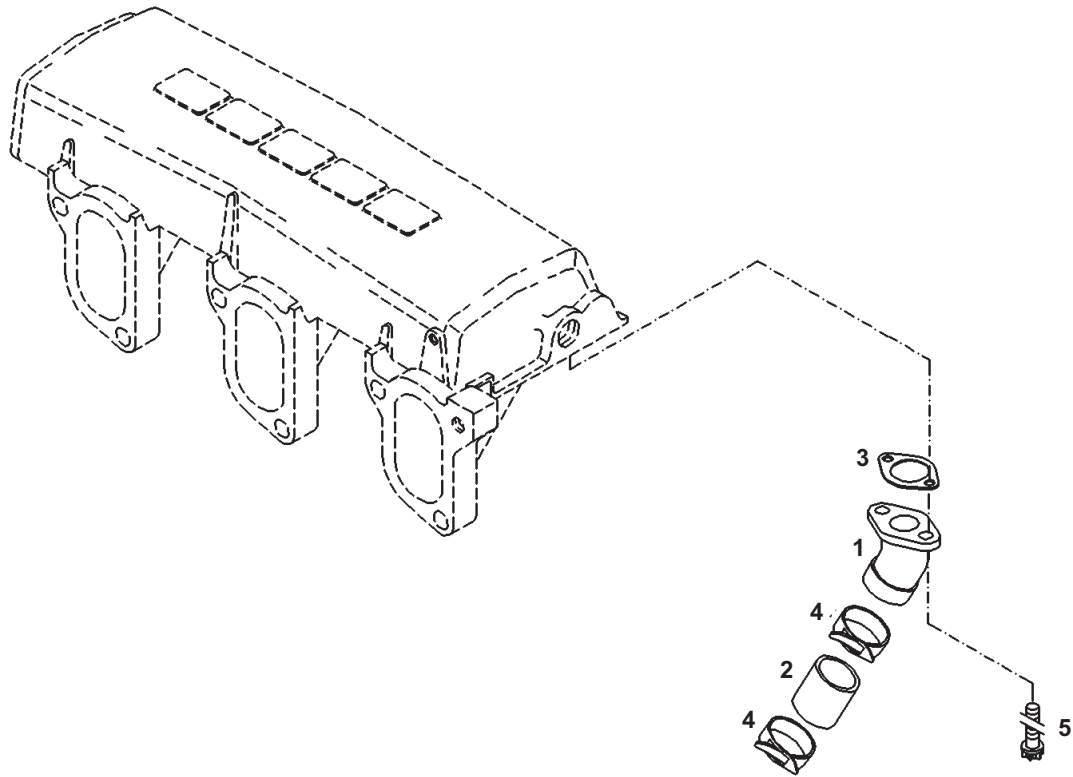
| Ref No. | Part No. | Description | Quantity |
|----------------|-----------------|--------------------|-----------------|
| 1 | 133168 | PLUG/SCREW | 1 |
| 2 | 133138 | RING/SEALING | 1 |



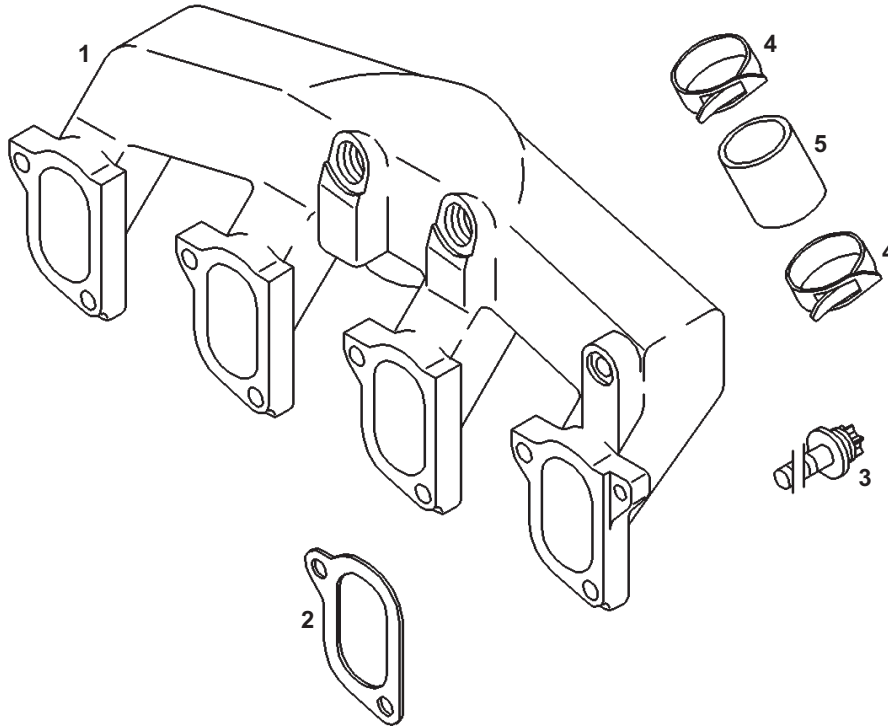
| Ref No. | Part No. | Description | Quantity BF4M |
|---------|----------|--------------|---------------|
| 1 | 133147 | PLUG/SCREW | 1 |
| 2 | 133131 | RING/SEALING | 1 |



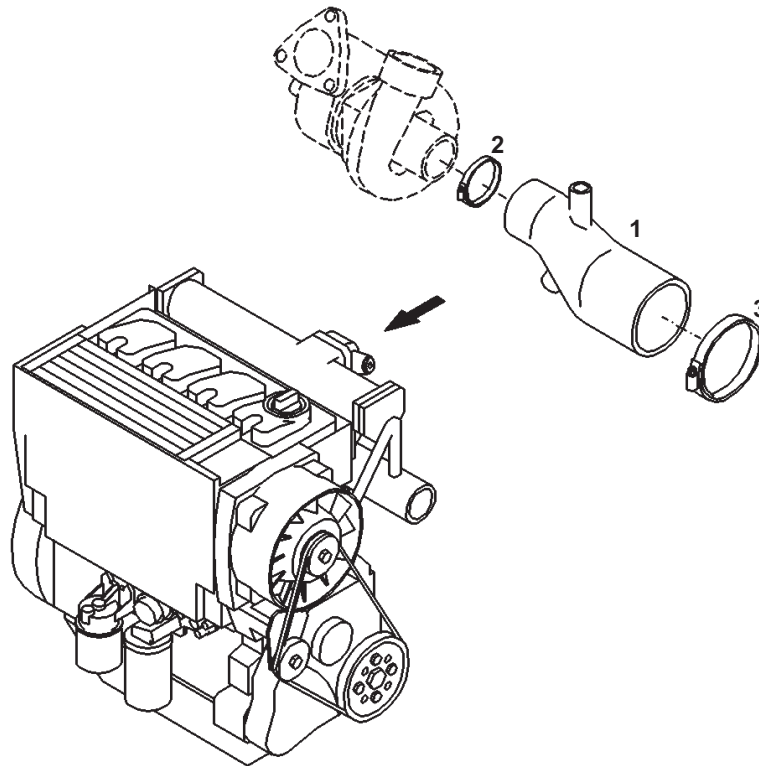
| Ref No. | Part No. | Description | Quantity BF3M |
|---------|----------|---------------|---------------|
| 1 | 133529 | SLEEVE/RUBBER | 1 |
| 2 | 133200 | CLIP/HOSE | 2 |
| 3 | 133549 | PLUG | 1 |



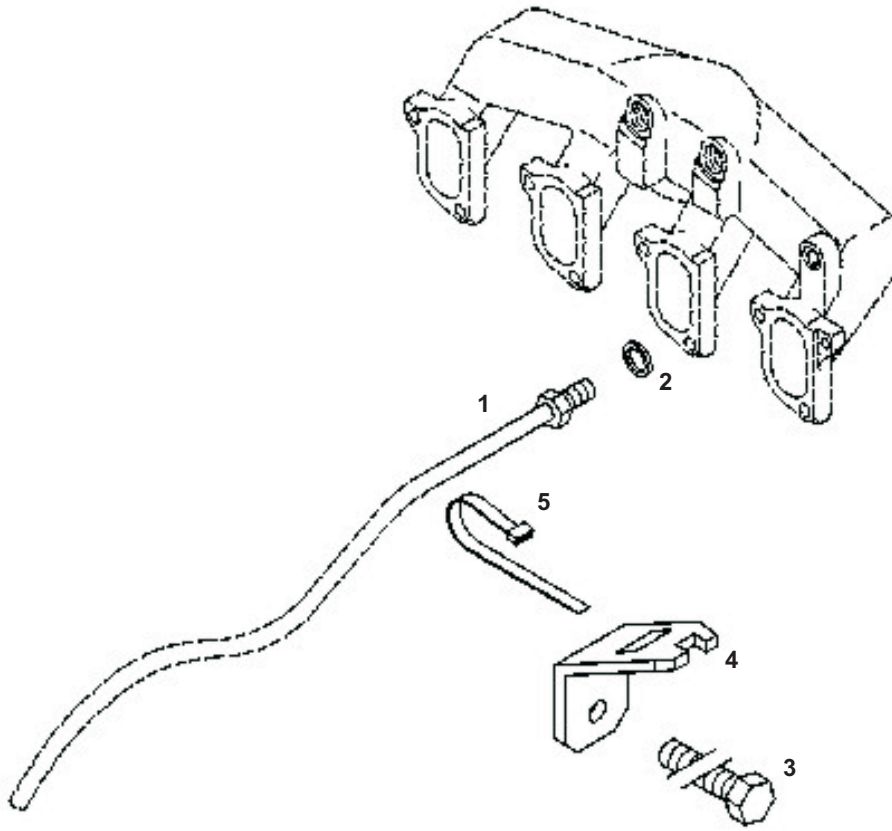
| Ref No. | Part No. | Description | Quantity BF3M |
|---------|----------|-------------------|---------------|
| 1 | 187163 | ELBOW/CHARGE AIR | 1 |
| 2 | 187254 | SLEEVE/RUBBER | 1 |
| 3 | 187162 | GASKET | 1 |
| 4 | 133214 | CLAMP/SPRING BAND | 2 |
| 5 | 187226 | BOLT/TORX-HEAD | 2 |



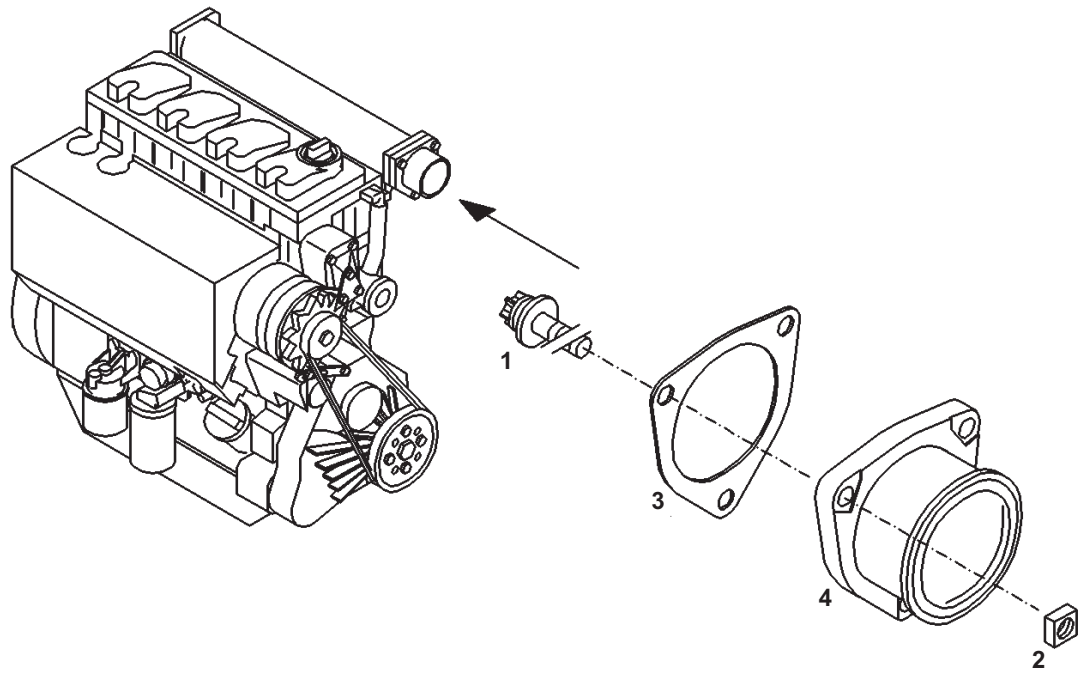
| Ref No. | Part No. | Description | Quantity | |
|---------|----------|-------------------|----------|------|
| | | | BF3M | BF4M |
| 1 | 187103 | PIPE/CHARGE AIR | 1 | - |
| | 133485 | PIPE/SUCTION | - | 1 |
| 2 | 133463 | GASKET | 3 | 4 |
| 3 | 187231 | BOLT/TORX-HEAD | 6 | 8 |
| 4 | 133214 | CLAMP/SPRING BAND | - | 2 |
| 5 | 133201 | SLEEVE/RUBBER | - | 1 |



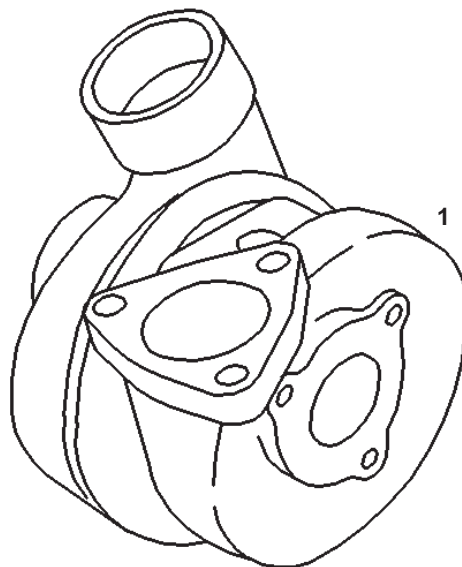
| Ref No. | Part No. | Description | Quantity BF4M |
|---------|----------|-------------|---------------|
| 1 | 133577 | REDUCER | 1 |
| 2 | 133200 | CLIP/HOSE | 1 |
| 3 | 133190 | CLIP/HOSE | 1 |



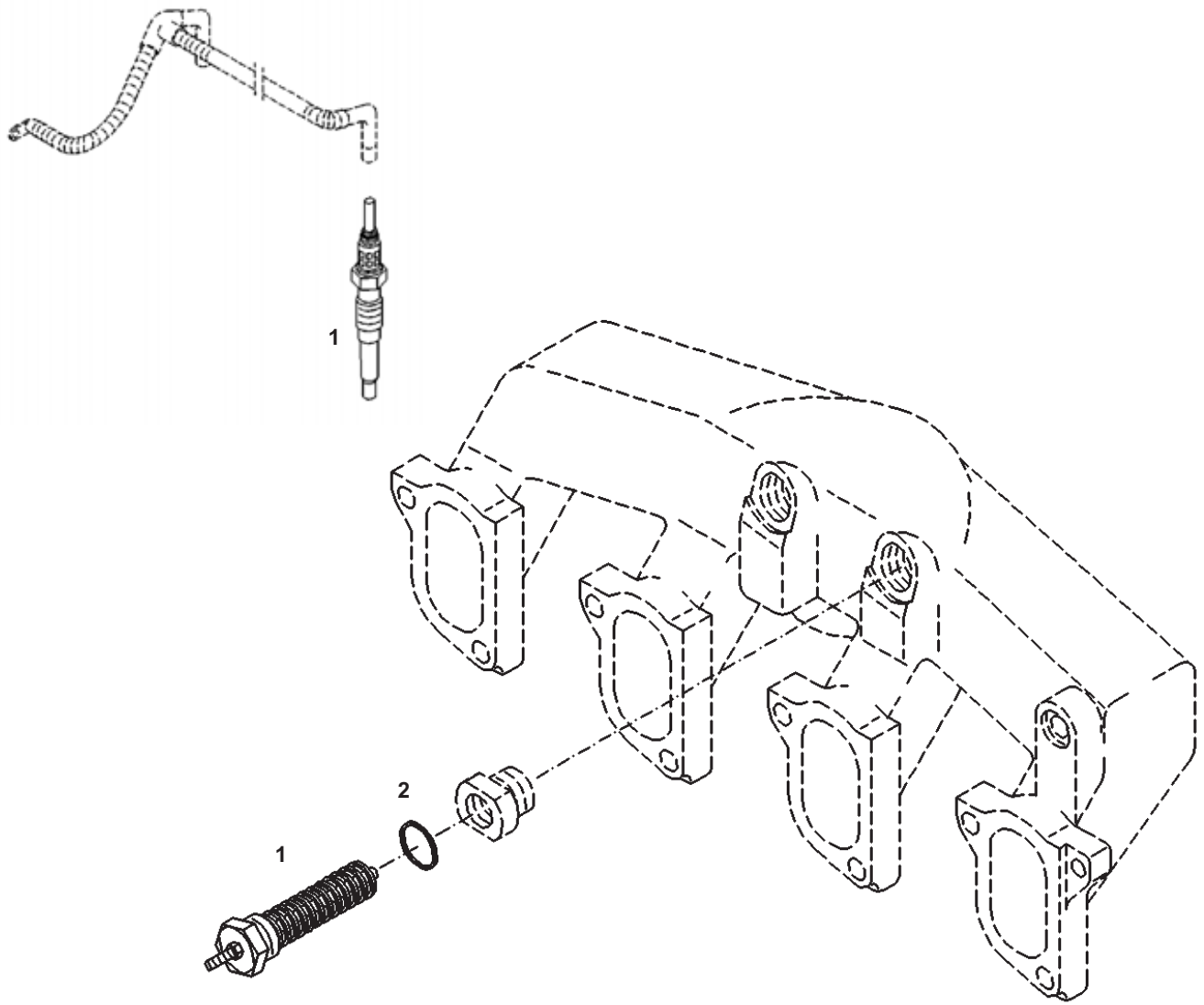
| Ref No. | Part No. | Description | Quantity |
|---------|----------|---------------|----------|
| 1 | 190360 | ASSEMBLY/HOSE | 1 |
| 2 | 187282 | RING/SEALING | 1 |
| 3 | 190361 | BOLT/HEX | 1 |
| 4 | 190362 | BRACKET | 1 |
| 5 | 187173 | BAND/CLAMPING | 1 |



| Ref No. | Part No. | Description | Quantity F3M/F4M |
|---------|----------|----------------|---------------------|
| 1 | 133229 | BOLT/TORX-HEAD | 3 |
| 2 | 133115 | NUT/SQUARE | 3 |
| 3 | 133331 | GASKET | 1 |
| 4 | 133593 | NIPPLE/HOSE | 1 |

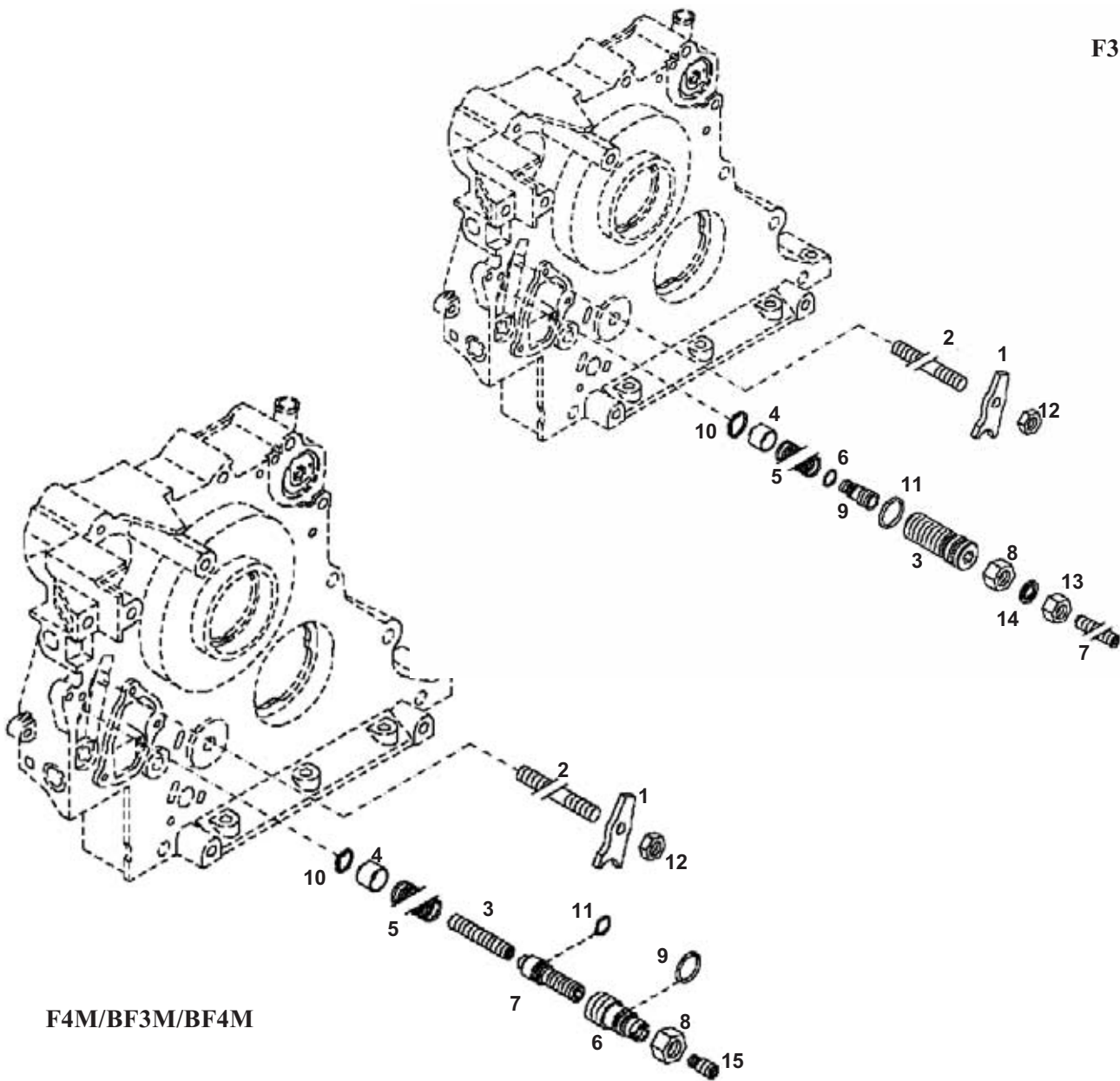


| Ref No. | Part No. | Description | Quantity | |
|---------|----------|--------------|----------|------|
| | | | BF3M | BF4M |
| 1 | 187112 | TURBOCHARGER | 1 | - |
| | 187154 | TURBOCHARGER | - | 1 |

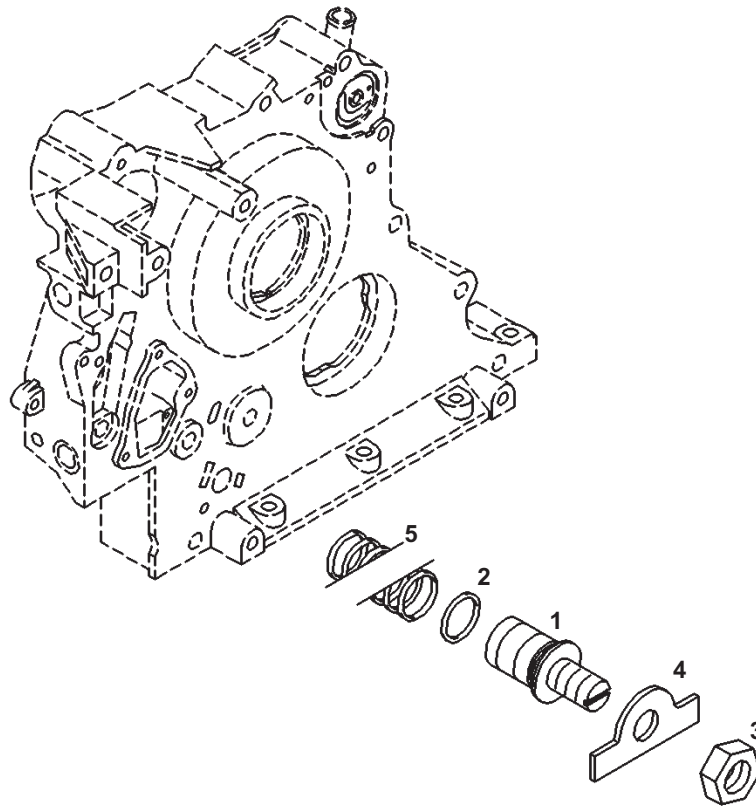


| Ref No. | Part No. | Description | Quantity | |
|---------|----------|--------------|----------|---------------|
| | | | F3M | BF3M/F4M/BF4M |
| 1 | 133215 | PLUG/GLOW | 1 | - |
| | 193269 | PLUG/GLOW | - | 1 |
| 2 | 133138 | RING/SEALING | 1 | 1 |

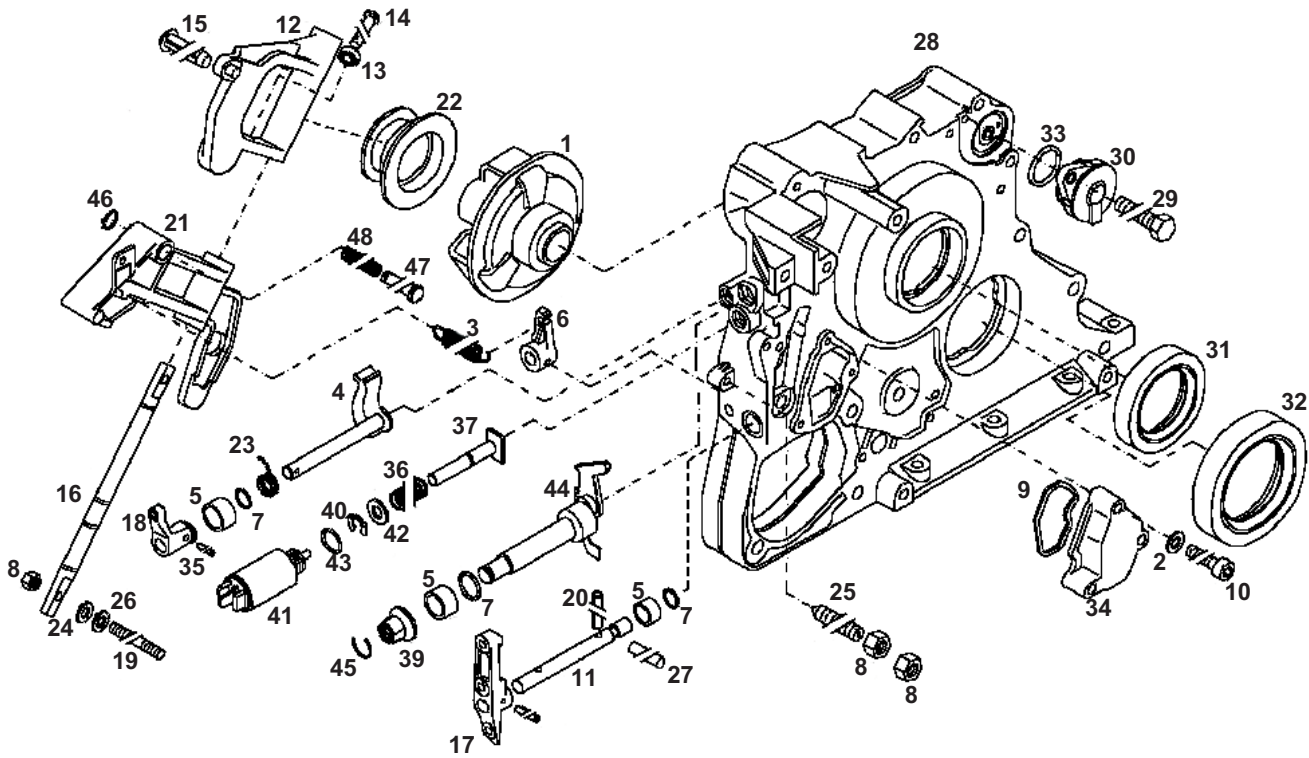
F3M



| Ref No. | Part No. | Description | Quantity | | | |
|---------|----------|--------------------|----------|-----|------|------|
| | | | F3M | F4M | BF3M | BF4M |
| 1 | 133377 | CLAW | 1 | 1 | 1 | 1 |
| 2 | 133175 | STUD | 1 | 1 | 1 | 1 |
| 3 | 187238 | SCREW/SETTING | 1 | - | - | - |
| | 194293 | SCREW/SETTING | - | 1 | 1 | 1 |
| 4 | 133506 | STOP/LIMIT | 1 | 1 | 1 | 1 |
| 5 | 133384 | SPRING/COMPRESSION | 1 | 1 | 1 | 1 |
| 6 | 187241 | SCREW/ADJUSTING | 1 | 1 | 1 | 1 |
| 7 | 133171 | SCREW/SET | 1 | - | - | - |
| | 194294 | SCREW/SET | - | 1 | 1 | 1 |
| 8 | 133334 | NUT/HEX | 1 | 1 | 1 | 1 |
| 9 | 187242 | O-SEAL | 1 | 1 | 1 | 1 |
| 10 | 133114 | CIRCLIP | 1 | 1 | 1 | 1 |
| 11 | 187244 | O-SEAL | 1 | 1 | 1 | 1 |
| 12 | 133127 | NUT/HEX | 1 | 1 | 1 | 1 |
| 13 | 133124 | NUT/HEX | 1 | 1 | - | - |
| 14 | 133226 | RING/SEALING | 1 | 1 | - | - |
| 15 | 194295 | SETSCREW | - | 1 | 1 | 1 |



| Ref No. | Part No. | Description | Quantity |
|---------|----------|--------------------|----------|
| 1 | 135510 | CAPSULE | 1 |
| 2 | 135499 | O-SEAL | 1 |
| 3 | 133127 | NUT/HEX | 1 |
| 4 | 135512 | WASHER/PLAIN | 1 |
| 5 | 187212 | SPRING/COMPRESSION | 1 |

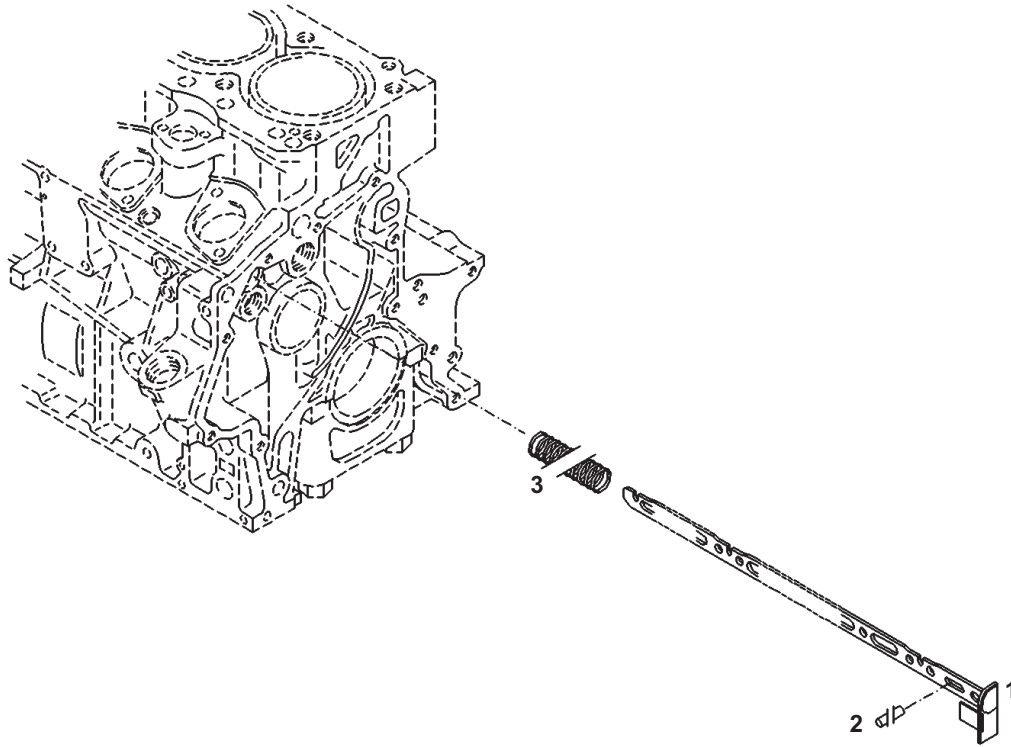


Parts Listing On Next Page

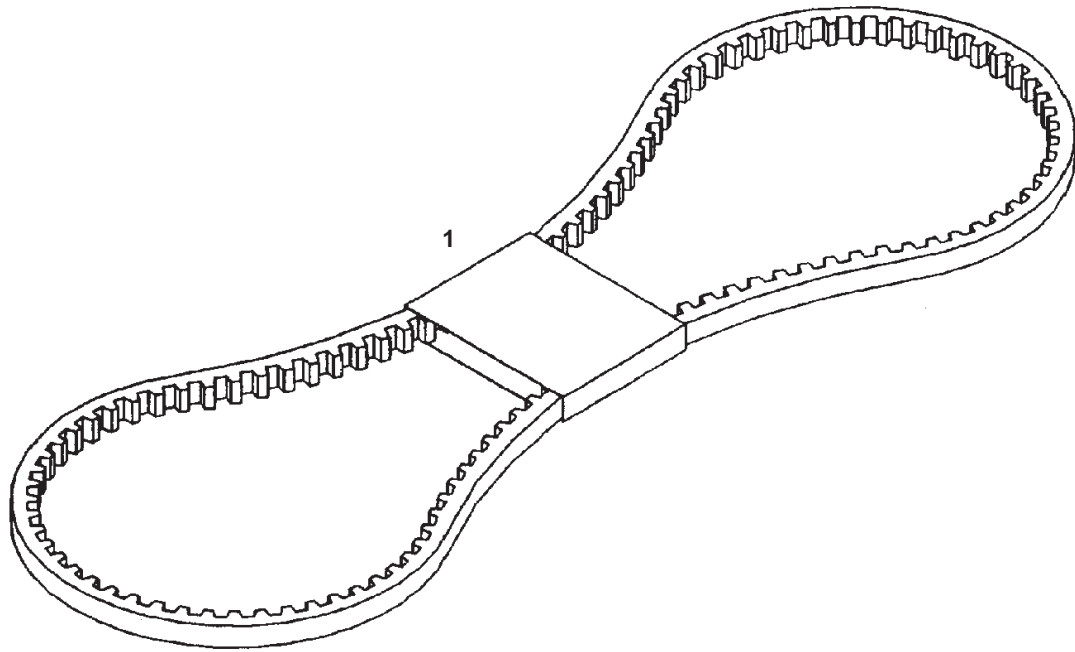
| Ref No. | Part No. | Description | Quantity | |
|------------|-------------|-------------------------|----------|----------|
| | | | F3M/BF3M | F4M/BF4M |
| 1 | 187253 | UNIT/METERING | 1 | 1 |
| 2 | 135491 | WASHER/PLAIN | 3 | 3 |
| 3 | 187198 | SPRING/TENSION | 1 | - |
| | 133570a | SPRING/TENSION | - | 1 |
| | 194342a | SPRING/TENSION | - | 1 |
| 4 | 187259 | SHAFT/LEVER | 1 | 1 |
| 5 | 133393 | SLEEVE | 3 | 3 |
| 6 | 133395 | ARM/LEVER | 1 | 1 |
| 7 | 133247 | O-SEAL | 2 | 2 |
| 8 | 187267 | NUT/HEX | 4 | 4 |
| 9 | 133431 | WASHER/PROFILE | 1 | 1 |
| 10 | 133241 | SCREW/CHEESE HEAD | 3 | 3 |
| 11 | 187138 | SHAFT/LEVER | 1 | 1 |
| 12 | 133412 | LEVER/ROLLER | 1 | 1 |
| 13 | 133152 | BEARING/BALL | 2 | 2 |
| 14 | 133246 | PIN/CLEVIS | 2 | 2 |
| 15 | 133129 | NAIL/NOTCHED | 1 | 1 |
| 16 | 133406 | AXLE | 1 | 1 |
| 17 | 133464 | ARM/LEVER | 1 | 1 |
| 18 | 187260 | LEVER/CLUTCH | 1 | 1 |
| 19 | 187261 | STUD | 2 | 2 |
| 20 | 133130 | PIN/STRAIGHT | 2 | 2 |
| 21 | 187265 | ARM/LEVER | 1 | 1 |
| 22 | 133497 | SLEEVE | 1 | 1 |
| 23 | 187268 | SPRING/TORSION | 1 | 1 |
| 24 | 133351 | WASHER/PLAIN | 3 | 3 |
| 25 | 133174 | SCREW/SET | 1 | 1 |
| 26 | 133262 | WASHER/PLAIN | 2 | 2 |
| 27 | 187269 | PIN/PARALLEL | 1 | 1 |
| 28 | 187270 | COVER/FRONT | 1 | 1 |
| 29 | 133163 | BOLT/HEX | 1 | 1 |
| 30 | 187187 | VALVE/BREATHER | 1 | 1 |
| 31 | 133389 | SEAL/ROTATING SHAFT LIP | 1 | 1 |
| 32 | 133388 | SEAL/ROTATING SHAFT LIP | 1 | 1 |
| 33 | 187223 | O-SEAL | 1 | 1 |
| 34 | 133435 | COVER | 1 | 1 |
| 35 | 187272 | PIN/STRAIGHT | 1 | 1 |
| 36 | 187273 | SPRING/COMPRESSION | 1 | 1 |
| 37 | 187274 | RAM/COMPRESSION | 1 | 1 |
| 38 | 187275 | WASHER/PLAIN | 1 | 1 |
| 39 | 187277 | NUT/HEX | 1 | 1 |
| 40 | 187279 | WASHER/RETAINING | 1 | 1 |
| 41 | 187283 | SOLENOID | 1 | 1 |
| 42 | 187284 | WASHER/PLAIN | 1 | 1 |
| 43 | 187285 | O-SEAL | 1 | 1 |
| 44 | 187286 | LEVER/REVERSING | 1 | 1 |
| 45 | 187287 | RING/HALF-MOON | 1 | 1 |
| 46 | 194289 | CIRCLIP | 1 | 1 |
| 47 | 194290 | PIN/STOP | 1 | 1 |
| 48 | 194291 | SPRING/COMPRESSION | 1 | 1 |

a) To identify the correct item, contact customer service and provide the engine serial number.

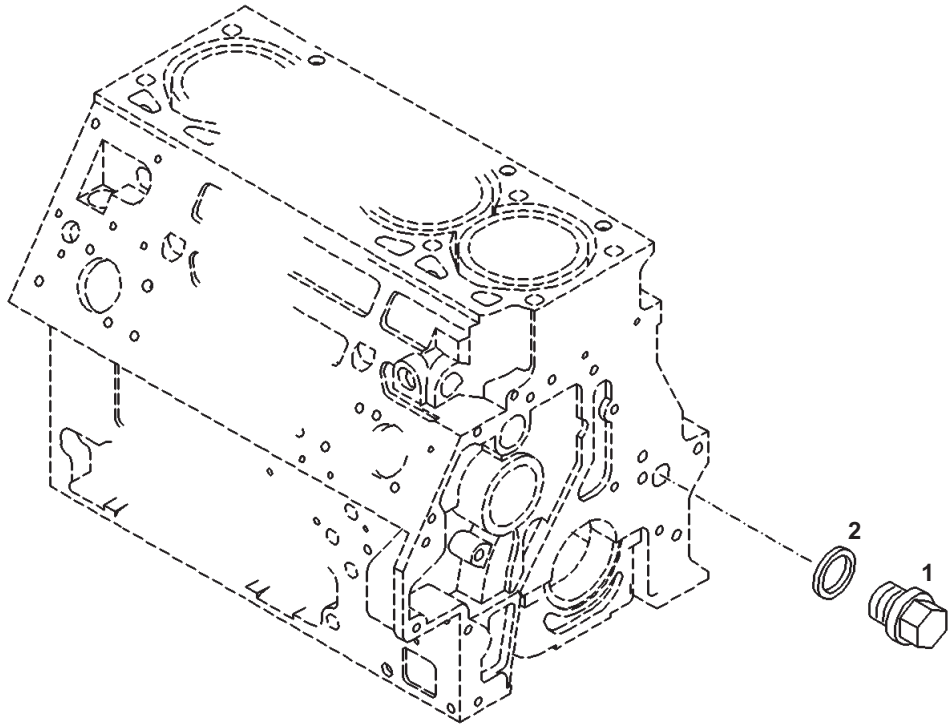
This Page Updated 21 Sept 07



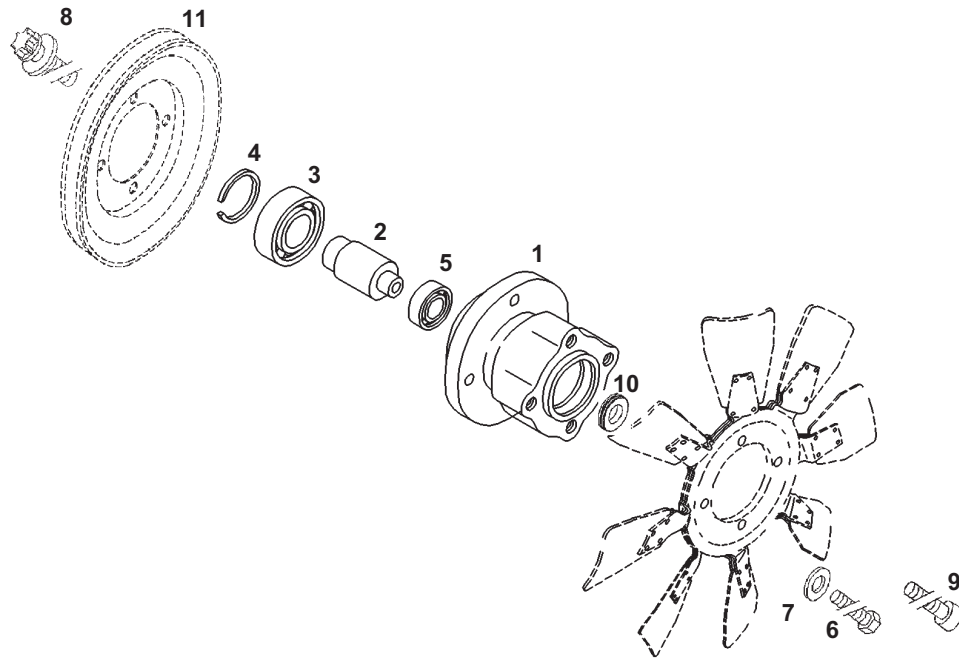
| Ref No. | Part No. | Description | Quantity | |
|---------|----------|--------------------|----------|----------|
| | | | F3M/BF3M | F4M/BF4M |
| 1 | 135527 | ROD/CONTROL | 1 | - |
| | 133578 | ROD/CONTROL | - | 1 |
| 2 | 133396 | PIN/LOCATING | 1 | 1 |
| 3 | 133360 | SPRING/COMPRESSION | 1 | 1 |



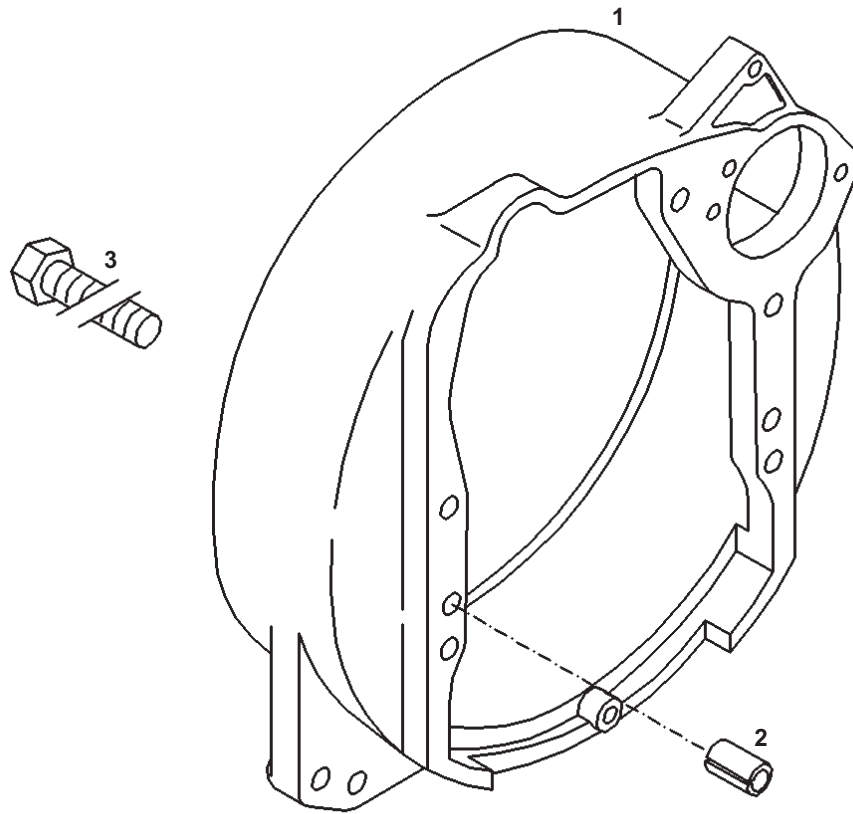
| Ref No. | Part No. | Description | Quantity |
|---------|----------|---------------|----------|
| 1 | 132989 | V-BELT/NARROW | 1 |



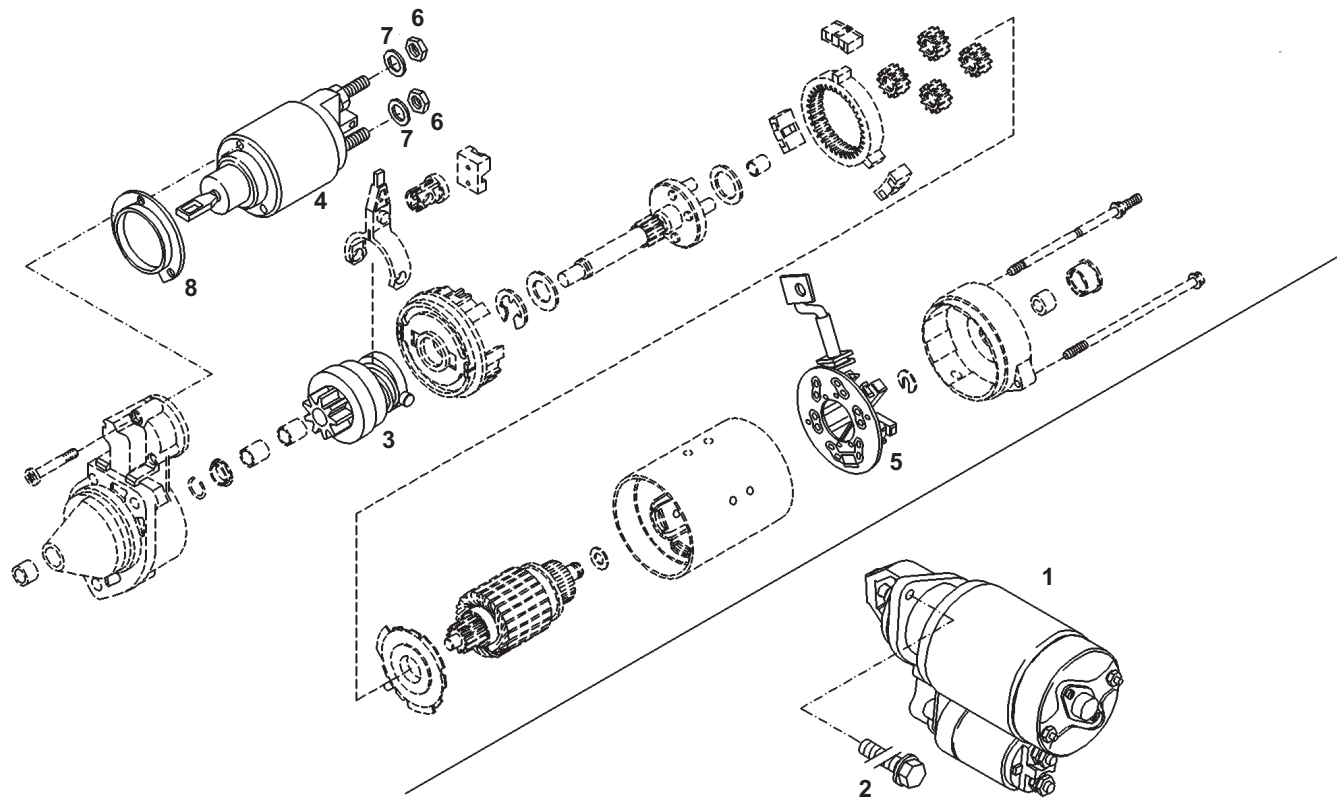
| Ref No. | Part No. | Description | Quantity |
|---------|----------|--------------|----------|
| 1 | 133149 | PLUG/SCREW | 1 |
| 2 | 133137 | RING/SEALING | 1 |



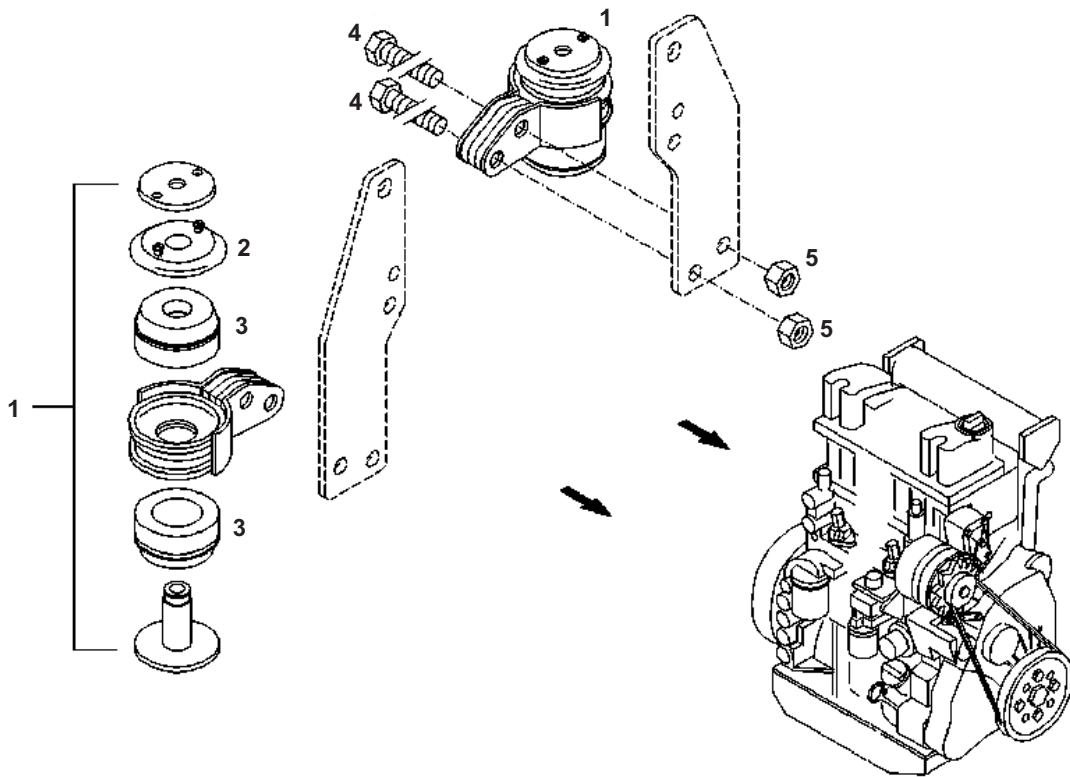
| Ref No. | Part No. | Description | Quantity |
|---------|----------|------------------|----------|
| 1 | 135538 | SUPPORT/FAN | 1 |
| 2 | 133502 | SHAFT | 1 |
| 3 | 133156 | BEARING/BALL | 1 |
| 4 | 133187 | CIRCLIP | 1 |
| 5 | 133255 | BEARING/BALL | 1 |
| 6 | 135493 | BOLT/HEX | 4 |
| 7 | 133173 | WASHER/PLAIN | 4 |
| 8 | 187234 | BOLT/TORX-HEAD | 4 |
| 9 | 133177 | SCREW/SOCKET | 1 |
| 10 | 187256 | WASHER/PLAIN | 1 |
| 11 | 133365 | PULLEY/V-GROOVED | 1 |



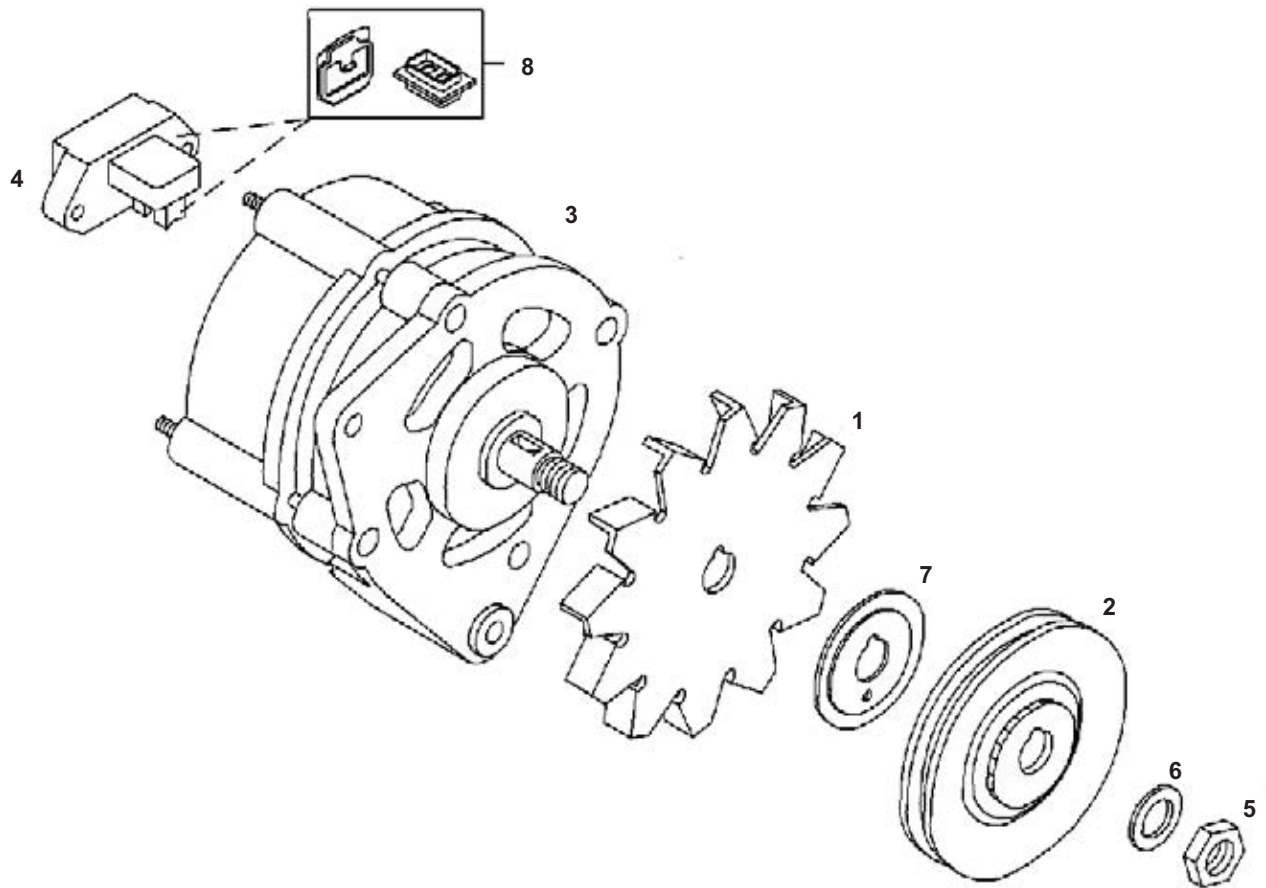
| Ref No. | Part No. | Description | Quantity |
|---------|----------|-----------------|----------|
| 1 | 135537 | HOUSING/ADAPTER | 1 |
| 2 | 133329 | BUSH/CLAMPING | 2 |
| 3 | 133110 | BOLT/HEX | 4 |



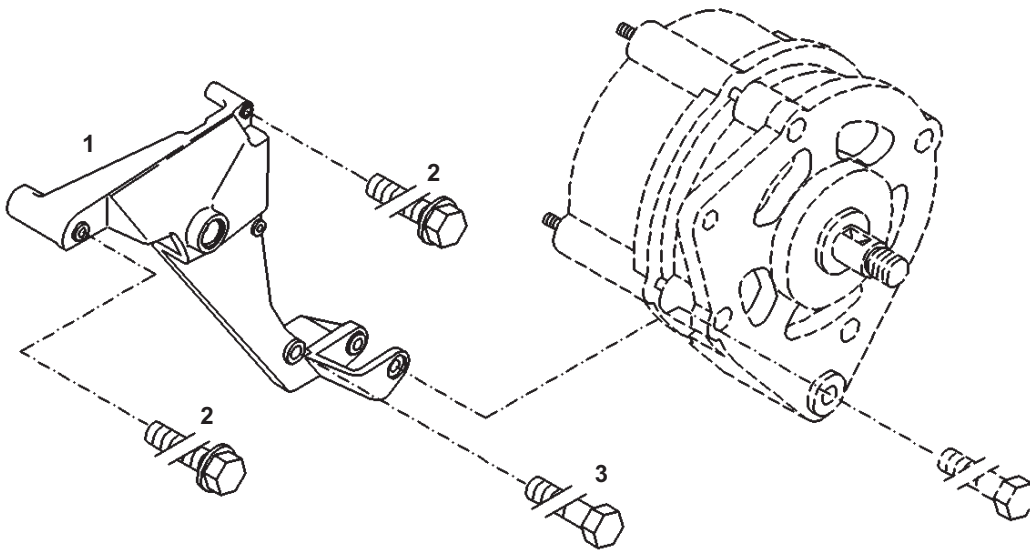
| Ref No. | Part No. | Description | Quantity |
|---------|----------|----------------|----------|
| 1 | 138859 | STARTER | 1 |
| 2 | 187239 | BOLT/HEX | 2 |
| 3 | 187213 | PINION/STARTER | 1 |
| 4 | 133301 | RELAY | 1 |
| 5 | 187216 | HOLDER/BRUSH | 1 |
| 6 | 187218 | HEX/NUT | 2 |
| 7 | 187214 | WASHER/SPRING | 2 |
| 8 | 187217 | PLATE/COVERING | 1 |



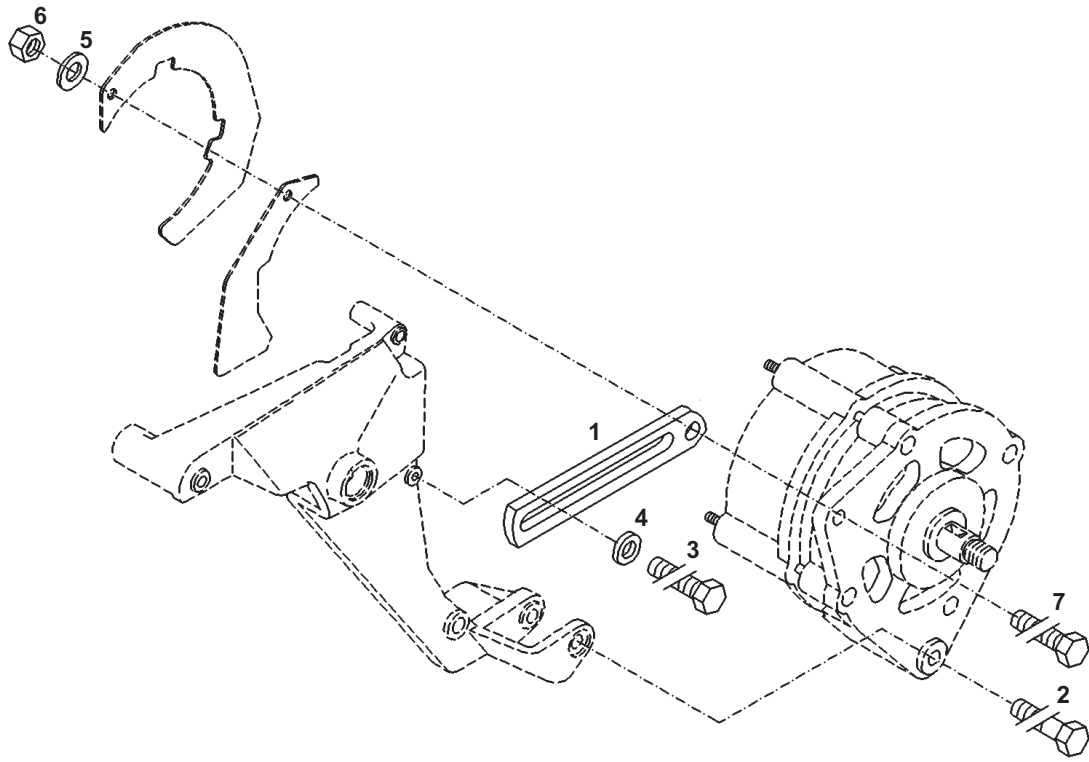
| Ref No. | Part No. | Description | Quantity F3M/BF3M |
|---------|----------|------------------------|-------------------|
| 1 | 194283 | ASSEMBLY/MOUNTING FOOT | 1 |
| 2 | 187215 | COVER | 1 |
| 3 | 187219 | RING/RUBBER | 1 |
| 4 | 194284 | BOLT/HEX | 4 |
| 5 | 194285 | NUT/HEX | 4 |



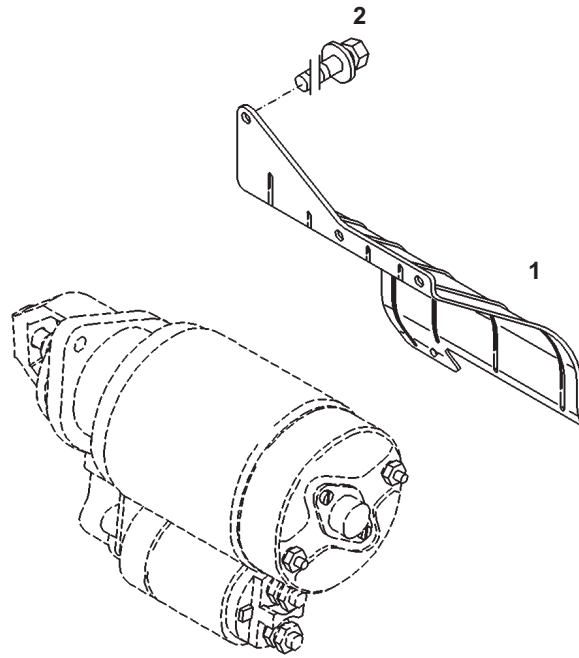
| Ref No. | Part No. | Description | Quantity |
|---------|----------|-------------------|----------|
| 1 | 133184 | FAN | 1 |
| 2 | 133208 | PULLEY/V-GROOVED | 1 |
| 3 | 140859 | ALTERNATOR | 1 |
| 4 | 133206 | REGULATOR/VOLTAGE | 1 |
| 5 | 133148 | NUT/HEX | 1 |
| 6 | 133111 | WASHER/SPRING | 1 |
| 7 | 133207 | RING/SUPPORTING | 1 |
| 8 | 194282 | GASKET/SEAL | 1 |



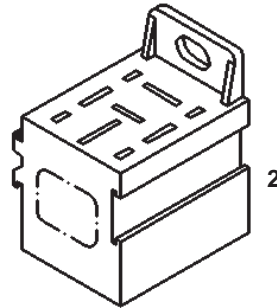
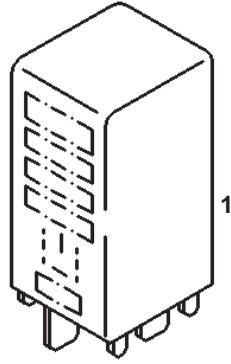
| Ref No. | Part No. | Description | Quantity |
|---------|----------|-------------|----------|
| 1 | 133474 | BRACKET | 1 |
| 2 | 133252 | BOLT/HEX | 2 |
| 3 | 133169 | BOLT/HEX | 1 |



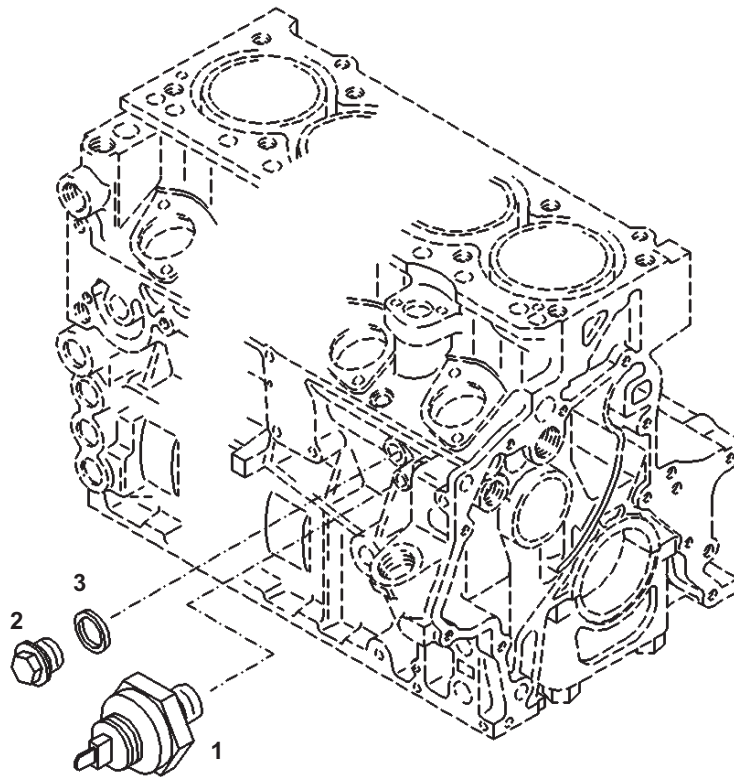
| Ref No. | Part No. | Description | Quantity |
|---------|----------|----------------|----------|
| 1 | 133336 | STRAP/CLAMPING | 1 |
| 2 | 187503 | BOLT/HEX | 1 |
| 3 | 187504 | BOLT/HEX | 1 |
| 4 | 133260 | WASHER/PLAIN | 1 |
| 5 | 133173 | WASHER/PLAIN | 1 |
| 6 | 133126 | NUT/HEX | 1 |
| 7 | 187505 | BOLT/HEX | 1 |



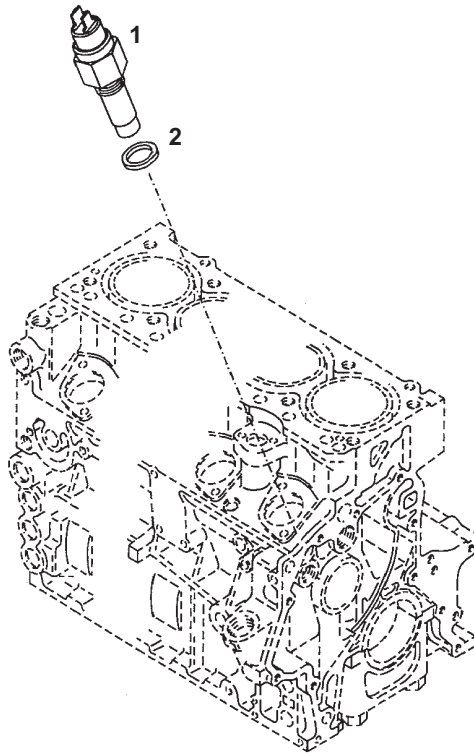
| Ref No. | Part No. | Description | Quantity |
|---------|----------|--------------------|----------|
| 1 | 135546 | BAFFLE/COOLING AIR | 1 |
| 2 | 187235 | BOLT/HEX | 3 |



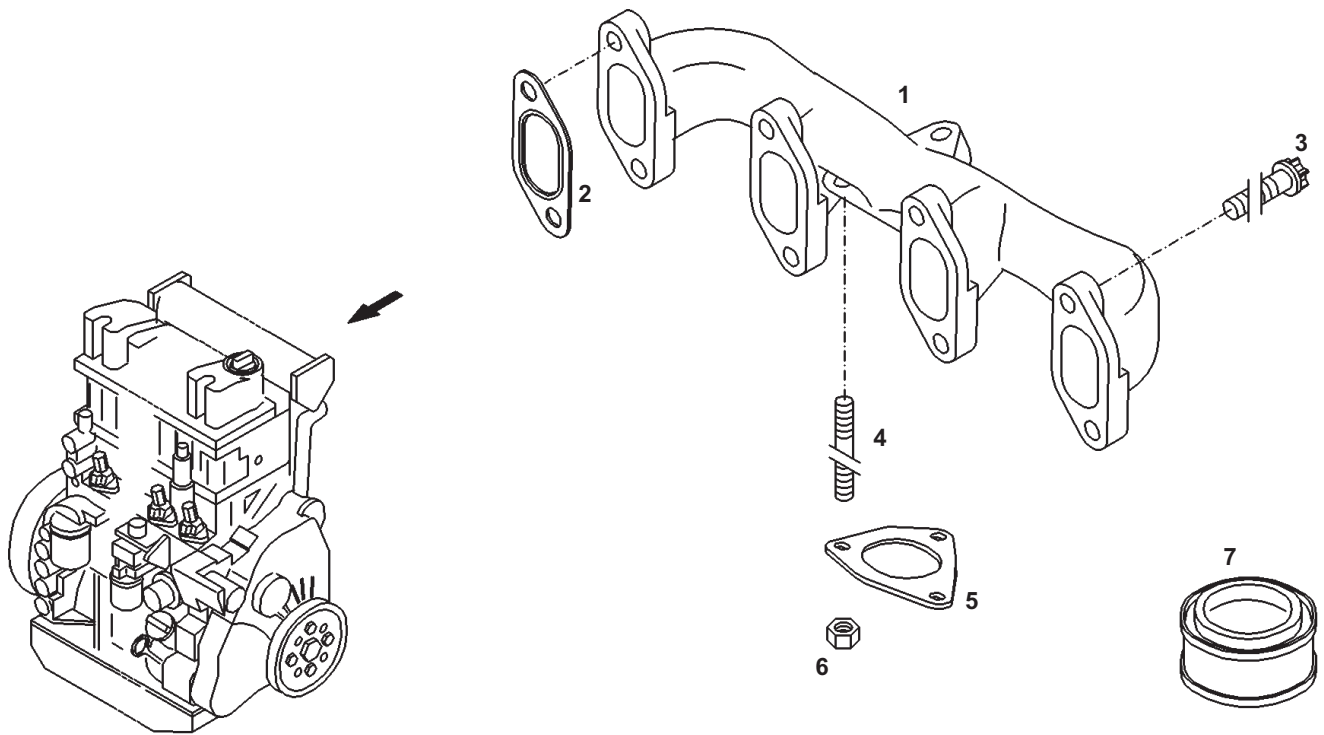
| Ref No. | Part No. | Description | Quantity BF4M/F4M/BF3M |
|---------|----------|----------------------|---------------------------|
| 1 | 187524 | UNIT/GI TIME CONTROL | 1 |
| 2 | 187526 | BASE/PEDESTAL | 3 |



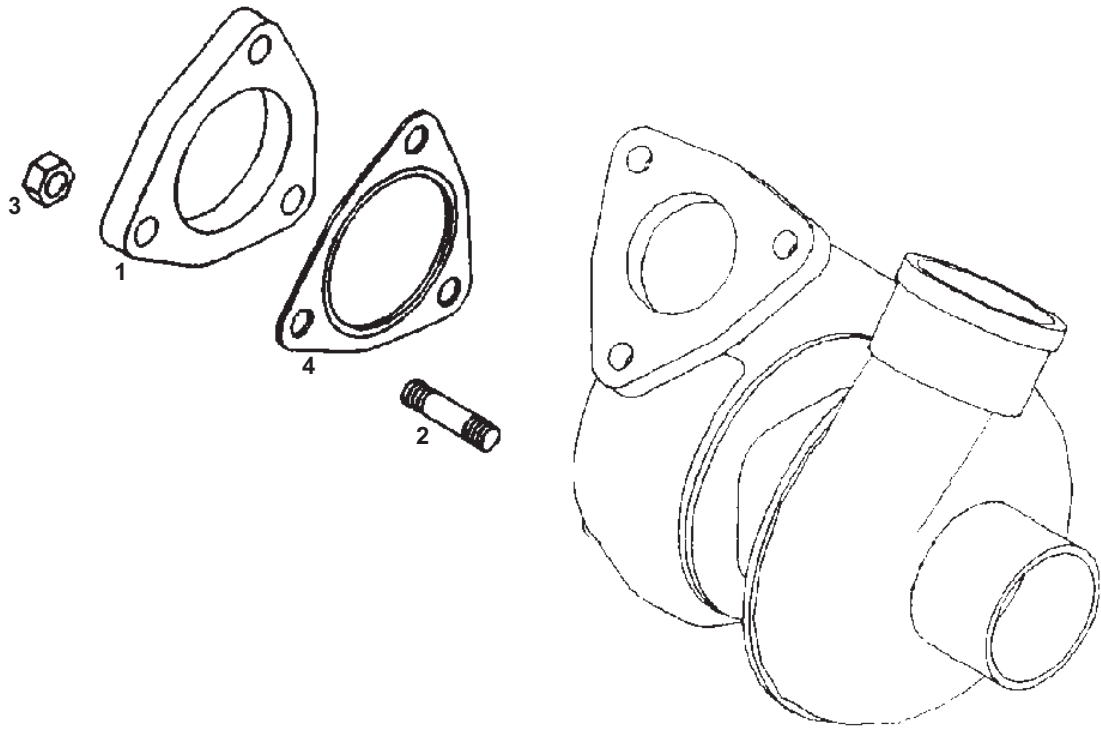
| Ref No. | Part No. | Description | Quantity |
|---------|----------|---------------------|----------|
| 1 | 133256 | SWITCH/OIL PRESSURE | 1 |
| 2 | 133140 | PLUG/SCREW | 1 |
| 3 | 133137 | RING/SEALING | 1 |



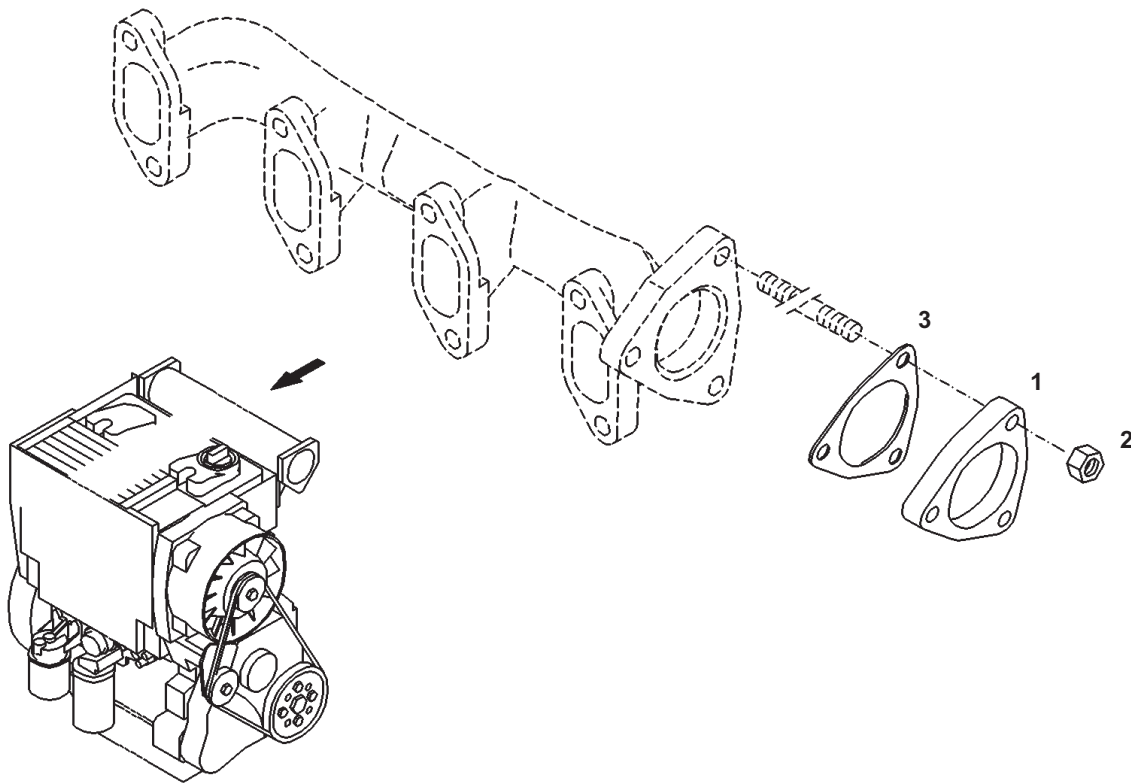
| Ref No. | Part No. | Description | Quantity |
|---------|----------|---|----------|
| 1 | 133225 | TRANSMITTER/TEMPERATURE (INCLUDES ITEM 2) | 1 |
| 2 | 133161 | RING/SEALING 14 X 18MM | 1 |



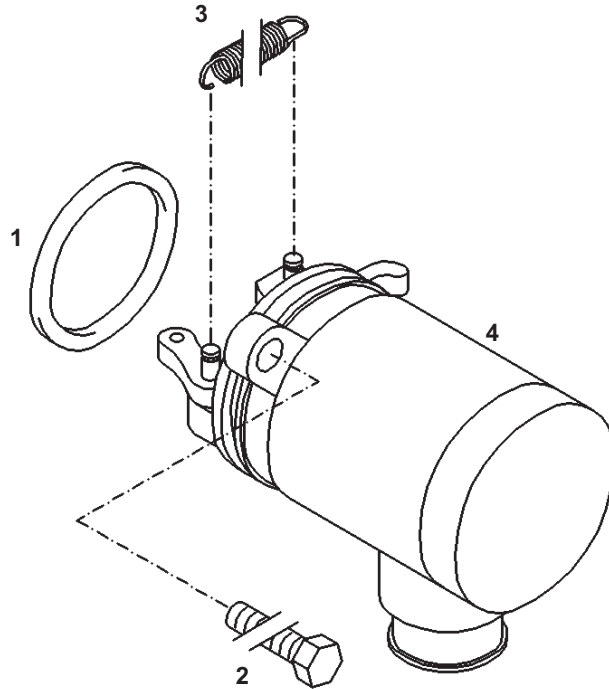
| Ref No. | Part No. | Description | Quantity | | | |
|---------|----------|------------------|----------|-----|------|------|
| | | | F3M | F4M | BF3M | BF4M |
| 1 | 133595 | MANIFOLD/EXHAUST | 1 | - | - | - |
| | 187155 | MANIFOLD/EXHAUST | - | 1 | - | - |
| | 133533 | MANIFOLD/EXHAUST | - | - | 1 | - |
| | 133572 | MANIFOLD/EXHAUST | - | 1 | - | 1 |
| 2 | 133372 | GASKET | 3 | 4 | 3 | 4 |
| 3 | 133534 | BOLT/TORX-HEAD | 6 | 8 | 6 | 8 |
| 4 | 133180 | STUD | 3 | - | - | - |
| | 133181 | STUD | - | 3 | 3 | 3 |
| 5 | 133374 | GASKET | - | 1 | 1 | 1 |
| 6 | 133154 | NUT/HEX | - | 3 | 3 | 3 |
| 7 | 133558 | FITTING/COMPOUND | AR | AR | AR | AR |



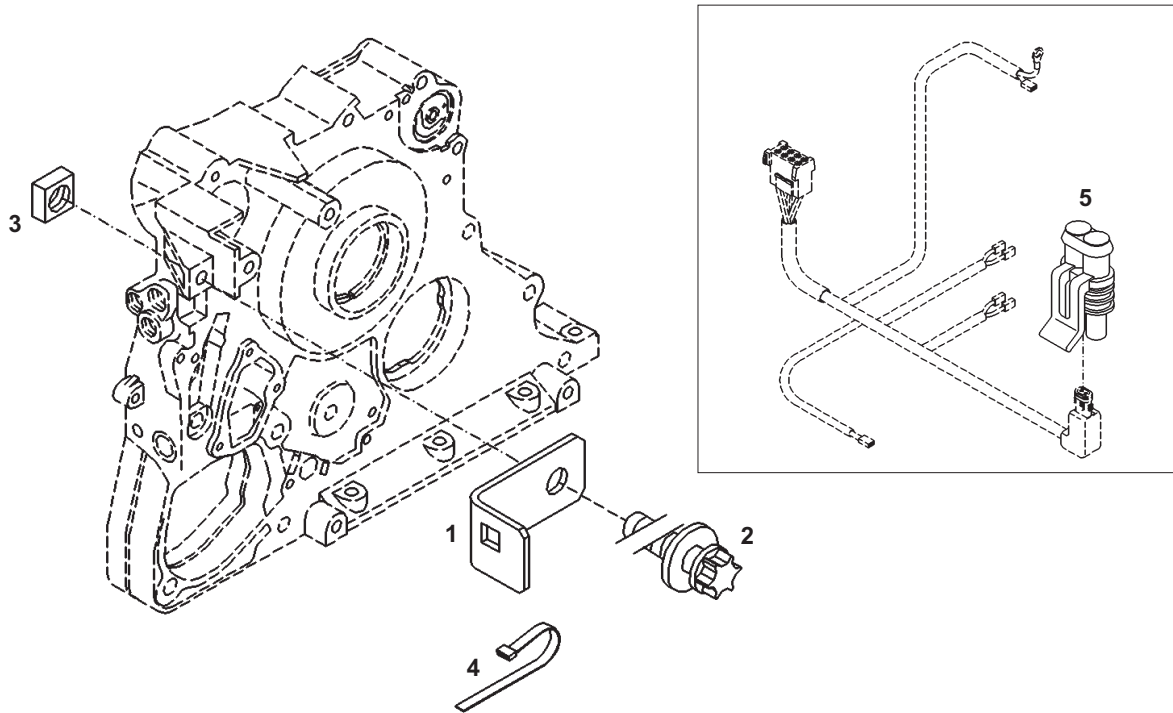
| Ref No. | Part No. | Description | Quantity BF3M/BF4M |
|---------|----------|-------------|-----------------------|
| 1 | 133532 | FLANGE | 1 |
| 2 | 133180 | STUD | 3 |
| 3 | 187278 | NUT/HEX | 3 |
| 4 | 133364 | GASKET | 1 |



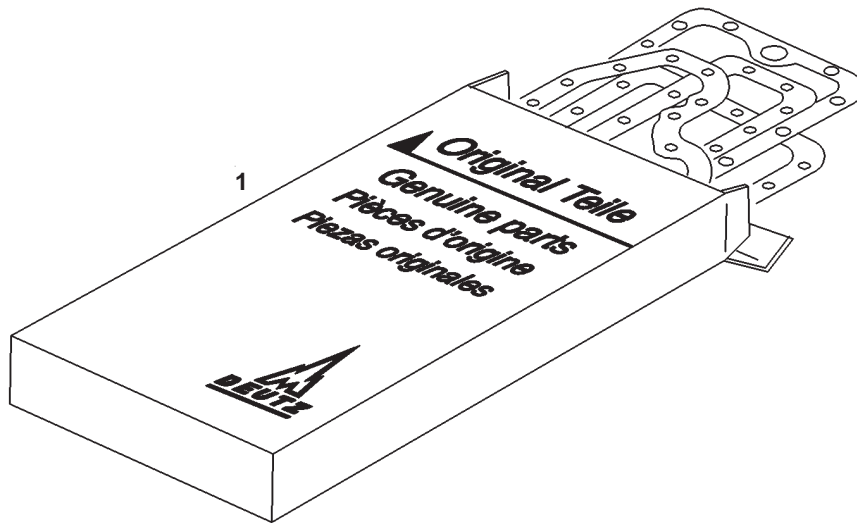
| Ref No. | Part No. | Description | Quantity F4M/F3M |
|----------------|-----------------|--------------------|-------------------------|
| 1 | 187516 | FLANGE | 1 |
| 2 | 187278 | NUT/HEX | 3 |
| 3 | 133374 | GASKET | 1 |



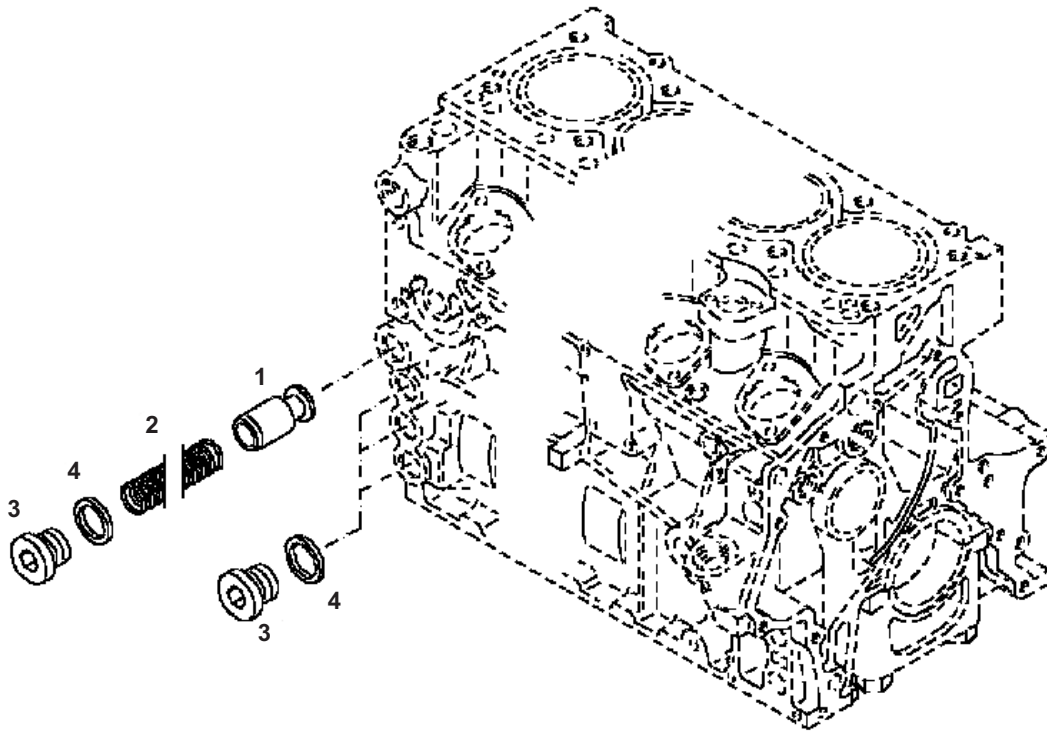
| Ref No. | Part No. | Description | Quantity |
|---------|----------|-----------------------------------|----------|
| 1 | 133185 | O-SEAL 44 X 3.15MM | 1 |
| 2 | 187179 | BOLT/HEX | 2 |
| 3 | 133394 | SPRING/TENSION | 1 |
| 4 | 188923 | DEVICE/SHUTDOWN (INCLUDES ITEM 3) | 1 |



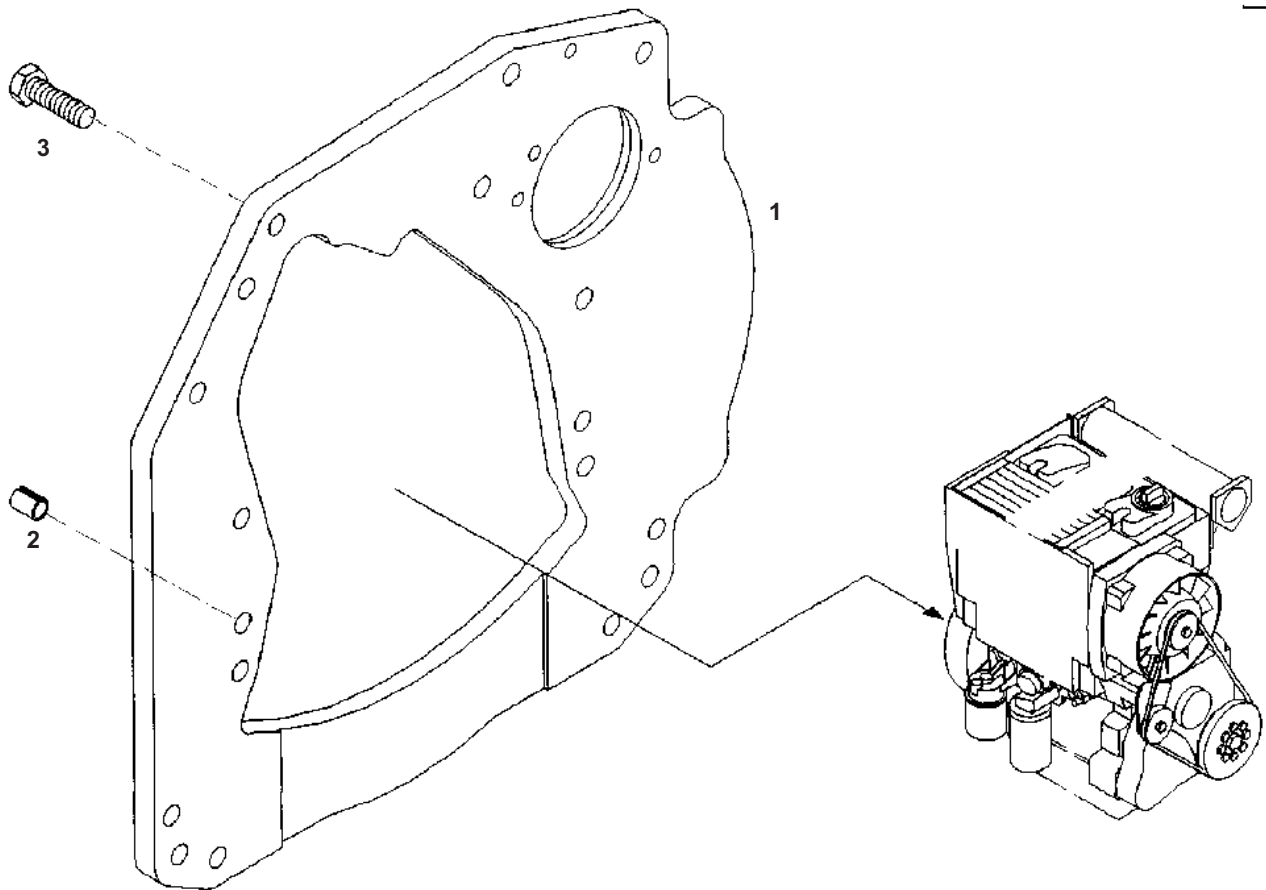
| Ref No. | Part No. | Description | Quantity |
|---------|----------|----------------|----------|
| 1 | 190354 | BRACKET | 1 |
| 2 | 190353 | BOLT/TORX HEAD | 1 |
| 3 | 133115 | NUT/SQUARE | 1 |
| 4 | 187252 | BAND/CLAMPING | 1 |
| 5 | 190352 | PARTS/BLANKING | 1 |



| Ref No. | Part No. | Description | Quantity | |
|---------|----------|--|----------|----------|
| | | | F3M/BF3M | F4M/BF4M |
| 1 | 187205 | SET/GASKET ENGINE OVERHAUL (LESS HEAD GASKETS) | 1 | - |
| | 187143 | SET/GASKET ENGINE OVERHAUL (LESS HEAD GASKETS) | - | 1 |
| | 187207 | SET/GASKET TOP CYLINDER HEAD | - | 1 |



| Ref No. | Part No. | Description | Quantity |
|----------------|-----------------|--------------------|-----------------|
| 1 | 133414 | VALVE | 1 |
| 2 | 194296 | SPRING/COMPRESSION | 1 |
| 3 | 133109 | PLUG/SCREW | 4 |
| 4 | 133139 | RING/SEALING | 4 |



| Ref No. | Part No. | Description | Quantity |
|---------|----------|------------------|----------|
| 1 | 194297 | PLATE/CONNECTING | 1 |
| 2 | 133329 | BUSH/CLAMPING | 1 |
| 3 | 133110 | BOT/HEX | 1 |

| Part No. | Page No. | Ref. No. | Part No. | Page No. | Ref. No. | Part No. | Page No. | Ref. No. | Part No. | Page No. | Ref. No. |
|----------|----------|----------|----------|----------|----------|----------|----------|----------|----------|----------|----------|
| 132023 | 26 | 1 | 133149 | 8 | 5 | 133243 | 40 | 3 | 133384 | 55 | 5 |
| 132024 | 39 | 3 | 133149 | 61 | 1 | 133245 | 32 | 3 | 133387 | 1 | 3 |
| 132989 | 60 | 1 | 133152 | 58 | 13 | 133246 | 58 | 14 | 133388 | 58 | 32 |
| 133103 | 29 | 3 | 133154 | 73 | 6 | 133247 | 58 | 7 | 133389 | 58 | 31 |
| 133104 | 8 | 8 | 133156 | 62 | 3 | 133250 | 19 | 6 | 133393 | 58 | 5 |
| 133106 | 7 | 25 | 133159 | 15 | 3 | 133252 | 67 | 2 | 133394 | 76 | 3 |
| 133109 | 26 | 9 | 133161 | 72 | 2 | 133255 | 62 | 5 | 133395 | 58 | 6 |
| 133109 | 31 | 3 | 133163 | 19 | 4 | 133256 | 71 | 1 | 133396 | 59 | 2 |
| 133109 | 79 | 3 | 133163 | 58 | 29 | 133259 | 30 | 6 | 133402 | 24 | 2 |
| 133110 | 63 | 3 | 133165 | 32 | 2 | 133260 | 68 | 4 | 133404 | 7 | 3 |
| 133110 | 80 | 3 | 133168 | 45 | 1 | 133262 | 58 | 26 | 133405 | 7 | 2 |
| 133111 | 66 | 6 | 133169 | 67 | 3 | 133301 | 64 | 4 | 133406 | 58 | 16 |
| 133114 | 55 | 10 | 133171 | 55 | 7 | 133316 | 7 | 4 | 133408 | 7 | 10 |
| 133115 | 52 | 2 | 133173 | 62 | 7 | 133317 | 15 | 2 | 133409 | 31 | 7 |
| 133115 | 77 | 3 | 133173 | 68 | 5 | 133319 | 14 | 3 | 133410 | 31 | 8 |
| 133116 | 33 | 1 | 133174 | 58 | 25 | 133320 | 14 | 3 | 133411 | 7 | 18 |
| 133124 | 55 | 13 | 133175 | 55 | 2 | 133322 | 18 | 9 | 133412 | 58 | 12 |
| 133126 | 34 | 3 | 133176 | 31 | 9 | 133323 | 7 | 15 | 133414 | 31 | 1 |
| 133126 | 43 | 4 | 133177 | 62 | 9 | 133327 | 18 | 3 | 133414 | 79 | 1 |
| 133126 | 68 | 6 | 133180 | 73 | 4 | 133329 | 63 | 2 | 133415 | 31 | 2 |
| 133127 | 55 | 12 | 133180 | 74 | 2 | 133329 | 80 | 2 | 133416 | 31 | 6 |
| 133127 | 56 | 3 | 133181 | 73 | 4 | 133330 | 24 | 1 | 133417 | 7 | 19 |
| 133129 | 58 | 15 | 133184 | 66 | 1 | 133331 | 52 | 3 | 133419 | 34 | 5 |
| 133130 | 58 | 20 | 133185 | 76 | 1 | 133332 | 23 | 2 | 133420 | 34 | 5 |
| 133131 | 46 | 2 | 133187 | 62 | 4 | 133333 | 23 | 3 | 133421 | 34 | 5 |
| 133132 | 20 | 5 | 133190 | 50 | 3 | 133334 | 23 | 4 | 133422 | 34 | 5H |
| 133132 | 33 | 2 | 133200 | 47 | 2 | 133334 | 55 | 8 | 133423 | 34 | 5J |
| 133133 | 7 | 23 | 133200 | 50 | 2 | 133335 | 13 | 3 | 133424 | 34 | 5L |
| 133133 | 28 | 3 | 133201 | 49 | 5 | 133336 | 68 | 1 | 133426 | 19 | 5 |
| 133134 | 2 | 4 | 133204 | 1 | 2 | 133337 | 34 | 4 | 133427 | 17 | 2 |
| 133135 | 30 | 3 | 133206 | 66 | 4 | 133338 | 10 | 3 | 133428 | 25 | 5 |
| 133136 | 31 | 10 | 133207 | 66 | 7 | 133339 | 10 | 3 | 133429 | 39 | 2 |
| 133137 | 8 | 4 | 133208 | 66 | 2 | 133350 | 7 | 16 | 133430 | 7 | 5 |
| 133137 | 61 | 2 | 133212 | 5 | 2 | 133351 | 58 | 24 | 133431 | 58 | 9 |
| 133137 | 71 | 3 | 133212 | 6 | 2 | 133352 | 18 | 6 | 133435 | 58 | 34 |
| 133138 | 8 | 3 | 133214 | 48 | 4 | 133357 | 14 | 3 | 133440 | 25 | 6 |
| 133138 | 45 | 2 | 133214 | 49 | 4 | 133358 | 14 | 3 | 133444 | 16 | 1 |
| 133138 | 54 | 2 | 133215 | 54 | 1 | 133360 | 59 | 3 | 133451 | 31 | 5 |
| 133139 | 26 | 8 | 133216 | 22 | 5 | 133364 | 74 | 4 | 133456 | 18 | 7 |
| 133139 | 31 | 4 | 133218 | 37 | 2 | 133365 | 62 | 11 | 133463 | 44 | 1 |
| 133139 | 79 | 4 | 133225 | 72 | 1 | 133369 | 15 | 2 | 133463 | 49 | 2 |
| 133140 | 71 | 2 | 133226 | 55 | 14 | 133370 | 9 | 3 | 133464 | 58 | 17 |
| 133141 | 28 | 2 | 133229 | 52 | 1 | 133372 | 73 | 2 | 133473 | 7 | 17 |
| 133141 | 38 | 7 | 133241 | 58 | 10 | 133374 | 73 | 5 | 133474 | 67 | 1 |
| 133145 | 22 | 7 | 133242 | 20 | 2 | 133374 | 75 | 3 | 133478 | 30 | 2 |
| 133147 | 46 | 1 | 133243 | 38 | 6 | 133375 | 23 | 6 | 133485 | 49 | 1 |
| 133148 | 66 | 5 | 133243 | 39 | 6 | 133377 | 55 | 1 | 133486 | 10 | 1 |

| Part No. | Page No. | Ref. No. | Part No. | Page No. | Ref. No. | Part No. | Page No. | Ref. No. | Part No. | Page No. | Ref. No. |
|----------|----------|----------|----------|----------|----------|----------|----------|----------|----------|----------|----------|
| 133487 | 10 | 2 | 135503 | 3 | 1 | 187131 | 6 | 1 | 187179 | 76 | 2 |
| 133488 | 10 | 2 | 135508 | 11 | 1 | 187132 | 16 | 2 | 187181 | 32 | 1 |
| 133489 | 10 | 2 | 135510 | 56 | 1 | 187133 | 16 | 3 | 187183 | 36 | 2 |
| 133490 | 10 | 4 | 135512 | 56 | 4 | 187134 | 18 | 1 | 187184 | 36 | 3 |
| 133491 | 10 | 4 | 135517 | 29 | 1 | 187135 | 18 | 1 | 187185 | 36 | 4 |
| 133492 | 10 | 4 | 135527 | 59 | 1 | 187136 | 18 | 1 | 187186 | 36 | 5 |
| 133495 | 30 | 1 | 135528 | 19 | 2 | 187137 | 25 | 1 | 187187 | 58 | 30 |
| 133497 | 58 | 22 | 135529 | 19 | 1 | 187137 | 25 | 1 | 187188 | 38 | 2 |
| 133498 | 28 | 1 | 135531 | 10 | 4 | 187138 | 58 | 11 | 187189 | 29 | 1 |
| 133502 | 62 | 2 | 135532 | 10 | 4 | 187139 | 25 | 1 | 187190 | 42 | 1 |
| 133506 | 55 | 4 | 135533 | 10 | 4 | 187140 | 22 | 4 | 187191 | 39 | 1 |
| 133515 | 10 | 5 | 135535 | 17 | 1 | 187141 | 9 | 2 | 187192 | 2 | 1 |
| 133521 | 11 | 1 | 135537 | 63 | 1 | 187142 | 9 | 4 | 187193 | 7 | 1 |
| 133522 | 10 | 1 | 135538 | 62 | 1 | 187143 | 78 | 1 | 187194 | 14 | 1 |
| 133529 | 47 | 1 | 135546 | 69 | 1 | 187144 | 22 | 1 | 187195 | 38 | 1 |
| 133532 | 74 | 1 | 138859 | 64 | 1 | 187145 | 8 | 1 | 187196 | 38 | 3 |
| 133533 | 73 | 1 | 138860 | 13 | 2 | 187146 | 18 | 5 | 187197 | 38 | 4 |
| 133534 | 73 | 3 | 140859 | 66 | 3 | 187147 | 18 | 2 | 187198 | 58 | 3 |
| 133536 | 7 | 8 | 187101 | 18 | 8 | 187148 | 18 | 8 | 187199 | 43 | 2 |
| 133537 | 7 | 6 | 187103 | 49 | 1 | 187149 | 18 | 2 | 187200 | 26 | 2 |
| 133538 | 7 | 7 | 187104 | 17 | 5 | 187150 | 18 | 3 | 187201 | 26 | 3 |
| 133539 | 7 | 21 | 187105 | 17 | 4 | 187151 | 34 | 5P | 187202 | 26 | 5 |
| 133540 | 7 | 9 | 187106 | 17 | 3 | 187152 | 34 | 5N | 187203 | 26 | 6 |
| 133541 | 7 | 11 | 187107 | 17 | 5 | 187154 | 53 | | 187204 | 26 | 7 |
| 133542 | 7 | 14 | 187108 | 17 | 4 | 187155 | 73 | 1 | 187205 | 78 | 1 |
| 133549 | 47 | 3 | 187109 | 17 | 3 | 187156 | 17 | 3 | 187206 | 5 | 4 |
| 133550 | 30 | 1 | 187110 | 37 | 1 | 187157 | 17 | 4 | 187207 | 78 | 1 |
| 133551 | 30 | 7 | 187111 | 18 | 1 | 187158 | 17 | 5 | 187208 | 21 | 1 |
| 133553 | 5 | 3 | 187112 | 53 | 1 | 187159 | 9 | 1 | 187209 | 21 | 2 |
| 133553 | 6 | 3 | 187113 | 7 | 1 | 187160 | 22 | 2 | 187210 | 21 | 3 |
| 133555 | 2 | 1 | 187114 | 7 | 12 | 187161 | 22 | 3 | 187211 | 22 | 8 |
| 133556 | 2 | 2 | 187115 | 7 | 13 | 187162 | 48 | 3 | 187212 | 56 | 5 |
| 133558 | 73 | 7 | 187116 | 15 | 4 | 187163 | 48 | 1 | 187213 | 64 | 3 |
| 133561 | 2 | 7 | 187117 | 15 | 4 | 187164 | 21 | 3 | 187214 | 64 | 7 |
| 133562 | 3 | 1 | 187118 | 20 | 1 | 187165 | 27 | 1 | 187215 | 65 | 2 |
| 133565 | 19 | 1 | 187119 | 20 | 3 | 187166 | 44 | 3 | 187216 | 64 | 5 |
| 133566 | 19 | 2 | 187120 | 20 | 4 | 187167 | 44 | 3 | 187217 | 64 | 8 |
| 133570 | 58 | 3 | 187121 | 20 | 6 | 187168 | 7 | 1 | 187218 | 64 | 6 |
| 133572 | 73 | 1 | 187122 | 7 | 1 | 187171 | 39 | 4 | 187219 | 65 | 3 |
| 133577 | 50 | 1 | 187123 | 14 | 1 | 187172 | 39 | 5 | 187220 | 5 | 1 |
| 133578 | 59 | 1 | 187124 | 14 | 2 | 187173 | 39 | 7 | 187221 | 5 | 5 |
| 133593 | 52 | 4 | 187125 | 18 | 4 | 187173 | 40 | 5 | 187221 | 6 | 4 |
| 133595 | 73 | 1 | 187126 | 12 | 1 | 187173 | 51 | 5 | 187222 | 30 | 5 |
| 135491 | 58 | 2 | 187127 | 12 | 2 | 187174 | 39 | 8 | 187223 | 19 | 6 |
| 135493 | 62 | 6 | 187128 | 12 | 3 | 187175 | 39 | 9 | 187223 | 58 | 33 |
| 135499 | 56 | 2 | 187129 | 21 | 3 | 187176 | 39 | 10 | 187224 | 18 | 2 |
| 135500 | 44 | 2 | 187130 | 18 | 4 | 187177 | 39 | 12 | 187225 | 21 | 3 |

NUMERICAL INDEX

NUMERICAL INDEX

| Part No. | Page No. | Ref. No. | Part No. | Page No. | Ref. No. | Part No. | Page No. | Ref. No. | Part No. | Page No. | Ref. No. |
|----------|----------|----------|----------|----------|----------|----------|----------|----------|----------|----------|----------|
| 187226 | 48 | 5 | 187267 | 58 | 8 | 190352 | 77 | 5 | 194281 | 34 | 7 |
| 187227 | 2 | 6 | 187268 | 58 | 23 | 190353 | 77 | 2 | 194281 | 39 | 14 |
| 187228 | 15 | 1 | 187269 | 58 | 27 | 190354 | 77 | 1 | 194282 | 66 | 8 |
| 187229 | 26 | 4 | 187270 | 58 | 28 | 190355 | 40 | 1 | 194283 | 65 | 1 |
| 187229 | 39 | 11 | 187271 | 8 | 6 | 190356 | 39 | 13 | 194284 | 65 | 4 |
| 187230 | 25 | 4 | 187272 | 58 | 35 | 190356 | 40 | 4 | 194285 | 65 | 5 |
| 187231 | 1 | 4 | 187273 | 58 | 36 | 190357 | 40 | 2 | 194286 | 5 | 6 |
| 187231 | 49 | 3 | 187274 | 58 | 37 | 190358 | 38 | 1 | 194287 | 17 | 4 |
| 187232 | 29 | 2 | 187275 | 58 | 38 | 190359 | 38 | 2 | 194288 | 17 | 5 |
| 187233 | 2 | 3 | 187276 | 8 | 2 | 190360 | 51 | 1 | 194289 | 58 | 46 |
| 187233 | 37 | 3 | 187277 | 58 | 39 | 190361 | 51 | 3 | 194290 | 58 | 47 |
| 187234 | 2 | 3 | 187278 | 74 | 3 | 190362 | 51 | 4 | 194291 | 58 | 48 |
| 187234 | 8 | 7 | 187278 | 75 | 2 | 190363 | 1 | 1 | 194292 | 19 | 1 |
| 187234 | 62 | 8 | 187279 | 58 | 40 | 190364 | 34 | 5 | 194293 | 55 | 3 |
| 187235 | 30 | 4 | 187280 | 27 | 1 | 190365 | 34 | 5 | 194294 | 55 | 7 |
| 187235 | 69 | 2 | 187281 | 27 | 2 | 190366 | 34 | 5 | 194295 | 55 | 15 |
| 187236 | 20 | 8 | 187282 | 27 | 3 | 190367 | 34 | 5 | 194296 | 79 | 2 |
| 187237 | 23 | 5 | 187282 | 51 | 2 | 190368 | 34 | 5G | 194342 | 58 | 3 |
| 187238 | 55 | 3 | 187283 | 41 | 2 | 190369 | 34 | 5I | 194452 | 37 | 1 |
| 187239 | 64 | 2 | 187283 | 58 | 41 | 190370 | 34 | 5K | 194453 | 37 | 4 |
| 187240 | 11 | 2 | 187284 | 58 | 42 | 190371 | 34 | 5O | 194454 | 37 | 5 |
| 187241 | 55 | 6 | 187285 | 41 | 5 | 190372 | 34 | 5Q | | | |
| 187242 | 55 | 9 | 187285 | 58 | 43 | 190373 | 34 | 5R | | | |
| 187243 | 7 | 24 | 187286 | 58 | 44 | 190374 | 34 | 5S | | | |
| 187244 | 55 | 11 | 187287 | 58 | 45 | 190375 | 35 | 1 | | | |
| 187246 | 34 | 2 | 187288 | 22 | 6 | 190376 | 35 | | | | |
| 187247 | 34 | 6 | 187289 | 7 | 22 | 190377 | 35 | | | | |
| 187248 | 43 | 3 | 187503 | 68 | 2 | 190378 | 35 | | | | |
| 187250 | 43 | 1 | 187504 | 68 | 3 | 190379 | 35 | 1 | | | |
| 187251 | 34 | 5M | 187505 | 68 | 7 | 190380 | 35 | | | | |
| 187252 | 38 | 5 | 187509 | 20 | 7 | 190381 | 35 | | | | |
| 187252 | 77 | 4 | 187511 | 38 | 8 | 190382 | 35 | | | | |
| 187253 | 58 | 1 | 187516 | 75 | 1 | 190383 | 35 | 1 | | | |
| 187254 | 48 | 2 | 187524 | 70 | 1 | 190384 | 35 | | | | |
| 187255 | 15 | 1 | 187526 | 70 | 2 | 190385 | 35 | | | | |
| 187256 | 62 | 10 | 188923 | 76 | 4 | 190386 | 35 | | | | |
| 187257 | 15 | 3 | 190341 | 41 | 1 | 192720 | 35 | 1 | | | |
| 187258 | 15 | 5 | 190342 | 41 | 3 | 192721 | 35 | | | | |
| 187259 | 58 | 4 | 190343 | 41 | 6 | 192722 | 35 | | | | |
| 187260 | 58 | 18 | 190344 | 41 | 4 | 192723 | 35 | | | | |
| 187261 | 58 | 19 | 190345 | 41 | 7 | 192779 | 35 | 1 | | | |
| 187262 | 7 | 20 | 190346 | 4 | 1 | 192780 | 35 | | | | |
| 187264 | 19 | 3 | 190347 | 4 | 3 | 192781 | 35 | | | | |
| 187265 | 58 | 21 | 190348 | 4 | 4 | 192782 | 35 | | | | |
| 187266 | 25 | 2 | 190349 | 4 | 5 | 192783 | 17 | 3 | | | |
| 187267 | 2 | 5 | 190350 | 4 | 6 | 193050 | 19 | 2 | | | |
| 187267 | 25 | 3 | 190351 | 4 | 2 | 193269 | 54 | 1 | | | |

GEHL®

Gehl Company 143 Water Street, P.O. Box 179, West Bend, WI 53095-0179 U.S.A.
www.gehl.com