

Flash**1 Gbit (128M x 8/ 64M x 16)
1.8V NAND Flash Memory****FEATURES**

- Voltage Supply: 1.8V (1.7 V ~ 1.95V)
- Organization
 - x8:
 - Memory Cell Array: (128M + 4M) x 8bit
 - Data Register: (2K + 64) x 8bit
 - x16:
 - Memory Cell Array: (64M + 2M) x 16bit
 - Data Register: (1K + 32) x 16bit
- Automatic Program and Erase
 - x8:
 - Page Program: (2K + 64) Byte
 - Block Erase: (128K + 4K) Byte
 - x16:
 - Page Program: (1K + 32) Word
 - Block Erase: (64K + 2K) Word
- Page Read Operation
 - Page Size: (2K + 64) Byte (x8)
 - Page Size: (1K + 32) Word (x16)
 - Random Read: 25us (Max.)
 - Serial Access: 45ns (Min.)
- Memory Cell: 1bit/Memory Cell
- Fast Write Cycle Time
 - Program time: 250us (Typ.)
 - Block Erase time: 2ms (Typ.)
- Command/Address/Data Multiplexed I/O Port
- Hardware Data Protection
 - Program/Erase Lockout During Power Transitions
- Reliable CMOS Floating Gate Technology
 - ECC Requirement: x8 - 1bit/528Byte,
x16 - 1bit/264Word
 - Endurance: 100K Program/Erase Cycles
 - Data Retention: 10 Years
- Command Register Operation
- Automatic Page 0 Read at Power-Up Option
 - Boot from NAND support
 - Automatic Memory Download
- NOP: 4 cycles
- Cache Program Operation for High Performance Operation
- Copy-Back Operation
- EDO mode
- OTP Operation
- No Bad-Block-Erasing-Protect function (user should manage bad blocks before erasing)

ORDERING INFORMATION

Product ID	Speed	Package	Comments
x8:			
F59D1G81A -45TG	45 ns	48 pin TSOP1	Pb-free
F59D1G81A -45BG	45 ns	63 ball BGA	Pb-free
x16:			
F59D1G161A -45BG	45 ns	63 ball BGA	Pb-free

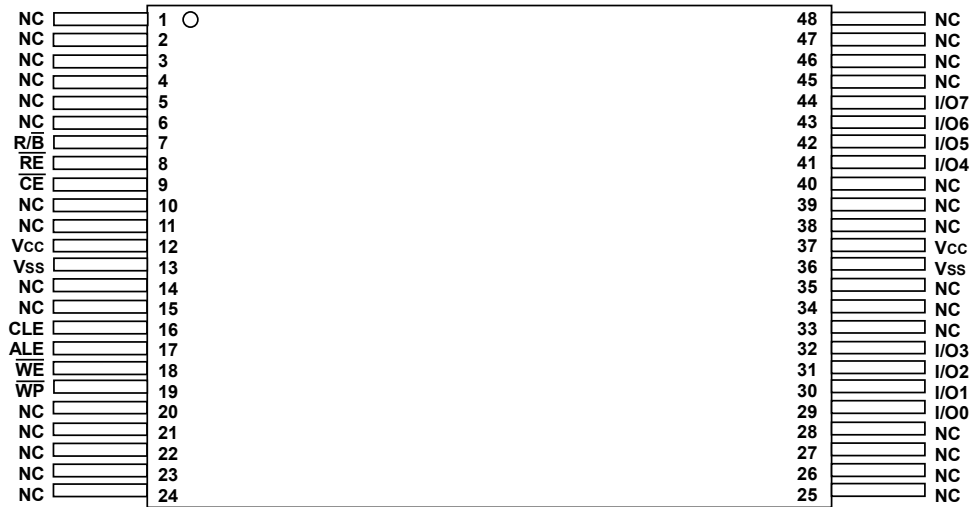
GENERAL DESCRIPTION

The device is a 128Mx8bit with spare 4Mx8bit capacity (or 64Mx16bit with spare 2Mx16bit capacity). The device is offered in 1.8V V_{CC} Power Supply. Its NAND cell provides the most cost-effective solution for the solid state mass storage market. The memory is divided into blocks that can be erased independently so it is possible to preserve valid data while old data is erased.

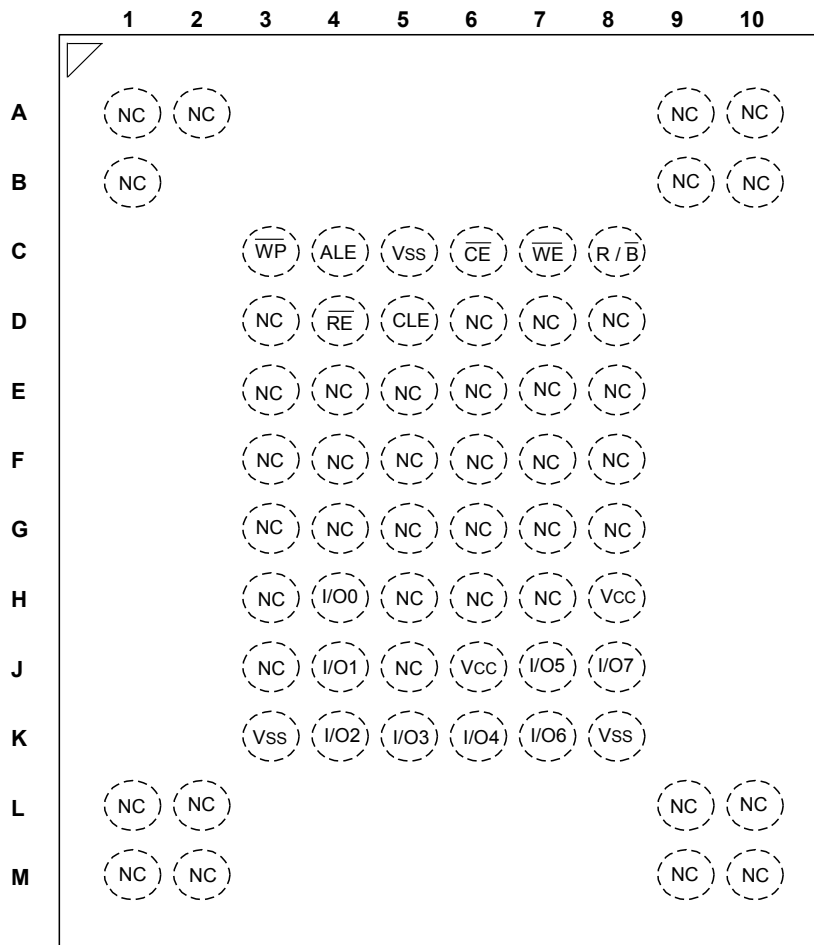
The device contains 1024 blocks, composed by 64 pages consisting in two NAND structures of 32 series connected Flash cells. A program operation allows to write the 1056-Word page in typical 250 μ s and an erase operation can be performed in typical 2ms on a 128K-Byte for x8 device block (or 64K-Word for x16 device block).

Data in the page mode can be read out at 45ns cycle time per Byte. The I/O pins serve as the ports for address and command inputs as well as data input/output. The copy back function allows the optimization of defective blocks management: when a page program operation fails the data can be directly programmed in another page inside the same array section without the time consuming serial data insertion phase. The cache program feature allows the data insertion in the cache register while the data register is copied into the Flash array. This pipelined program operation improves the program throughput when long files are written inside the memory. A cache read feature is also implemented. This feature allows to dramatically improving the read throughput when consecutive pages have to be streamed out. This device includes extra feature: Automatic Read at Power Up.

PIN CONFIGURATION (x8) (TOP VIEW)
 (TSOP1 48L, 12mm X 20mm Body, 0.5mm Pin Pitch)

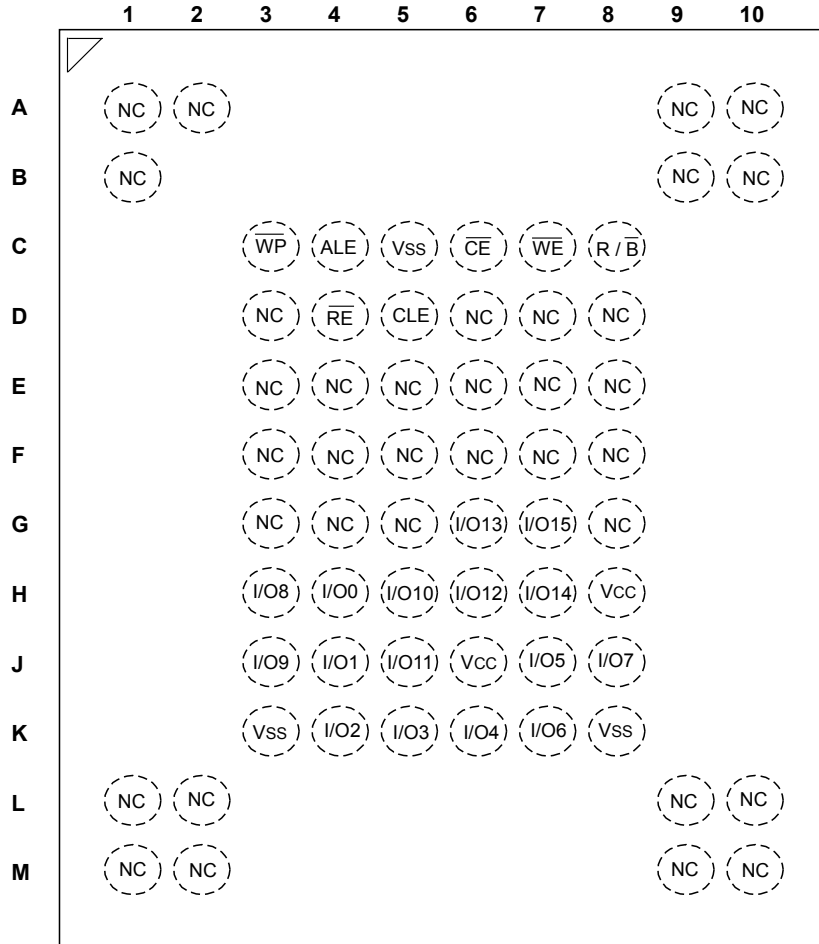


BALL CONFIGURATION (x8) (TOP VIEW)
 (BGA 63 BALL, 9mm X 11mm Body, 0.8 Ball Pitch)



BALL CONFIGURATION (x16) (TOP VIEW)

(BGA 63 BALL, 9mm X 11mm Body, 0.8 Ball Pitch)

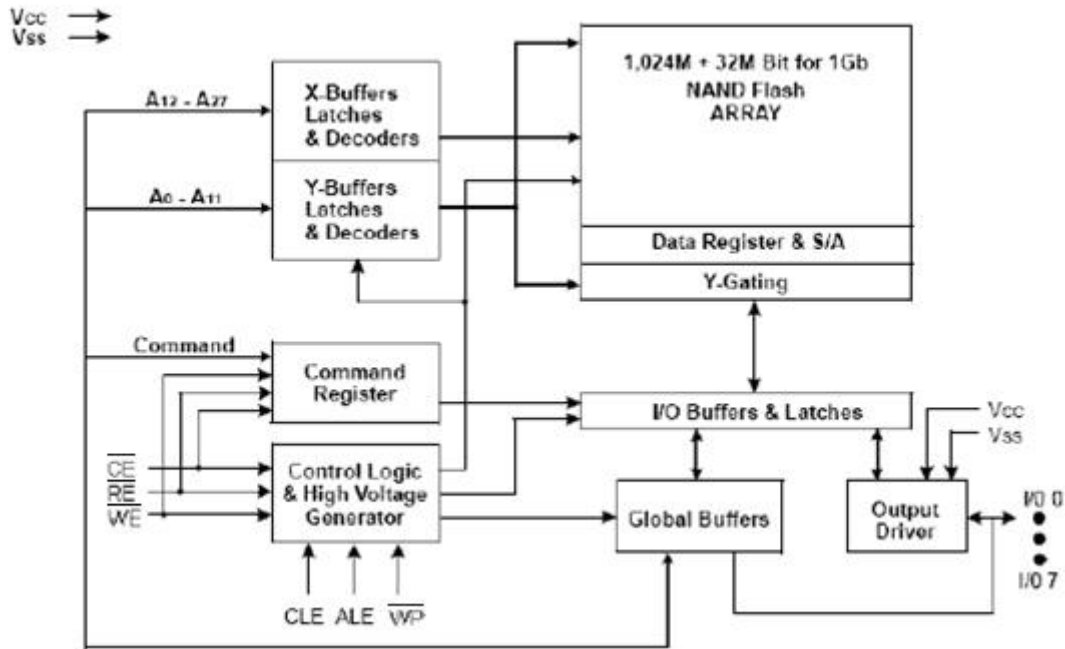


Pin Description

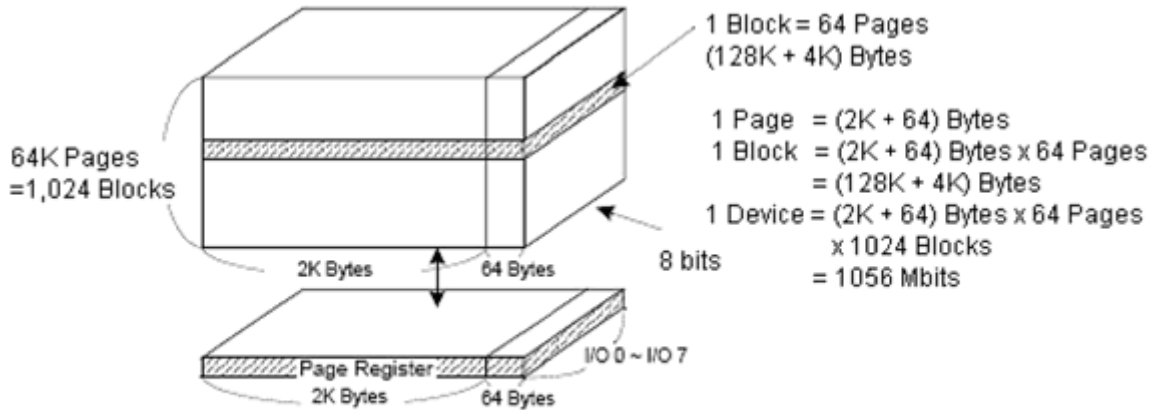
Symbol	Pin Name	Functions
I/O0~I/O7 (x8) I/O0~I/O15 (x16)	Data Inputs / Outputs	The I/O pins are used to input command, address and data, and to output data during read operations. The I/O pins float to Hi-Z when the chip is deselected or when the outputs are disabled.
CLE	Command Latch Enable	The CLE input controls the activating path for commands sent to the command register. When active high, commands are latched into the command register through the I/O ports on the rising edge of the \overline{WE} signal.
ALE	Address Latch Enable	The ALE input controls the activating path for address to the internal address registers. Addresses are latched on the rising edge of \overline{WE} with ALE high.
\overline{CE}	Chip Enable	The \overline{CE} input is the device selection control. When the device is in the Busy state, \overline{CE} high is ignored, and the device does not return to standby mode in program or erase operation. Regarding \overline{CE} control during read operation, refer to 'Page read' section of Device operation.
\overline{RE}	Read Enable	The \overline{RE} input is the serial data-out control, and when active drives the data onto the I/O bus. Data is valid t_{REA} after the falling edge of \overline{RE} which also increments the internal column address counter by one.
\overline{WE}	Write Enable	The \overline{WE} input controls writes to the I/O port. Commands, address and data are latched on the rising edge of the \overline{WE} pulse.
\overline{WP}	Write Protect	The \overline{WP} pin provides inadvertent program/erase protection during power transitions. The internal high voltage generator is reset when the \overline{WP} pin is active low.
R/ \overline{B}	Ready / Busy Output	The R/ \overline{B} output indicates the status of the device operation. When low, it indicates that a program, erase or random read operation is in process and returns to high state upon completion. It is an open drain output and does not float to Hi-Z condition when the chip is deselected or when outputs are disabled.
V _{CC}	Power	V _{CC} is the power supply for device.
V _{SS}	Ground	
NC	No Connection	Lead is not internally connected.

Note: Connect all V_{CC} and V_{SS} pins of each device to common power supply outputs. Do not leave V_{CC} or V_{SS} disconnected.

BLOCK DIAGRAM (x8)



ARRAY ORGANIZATION (x8)



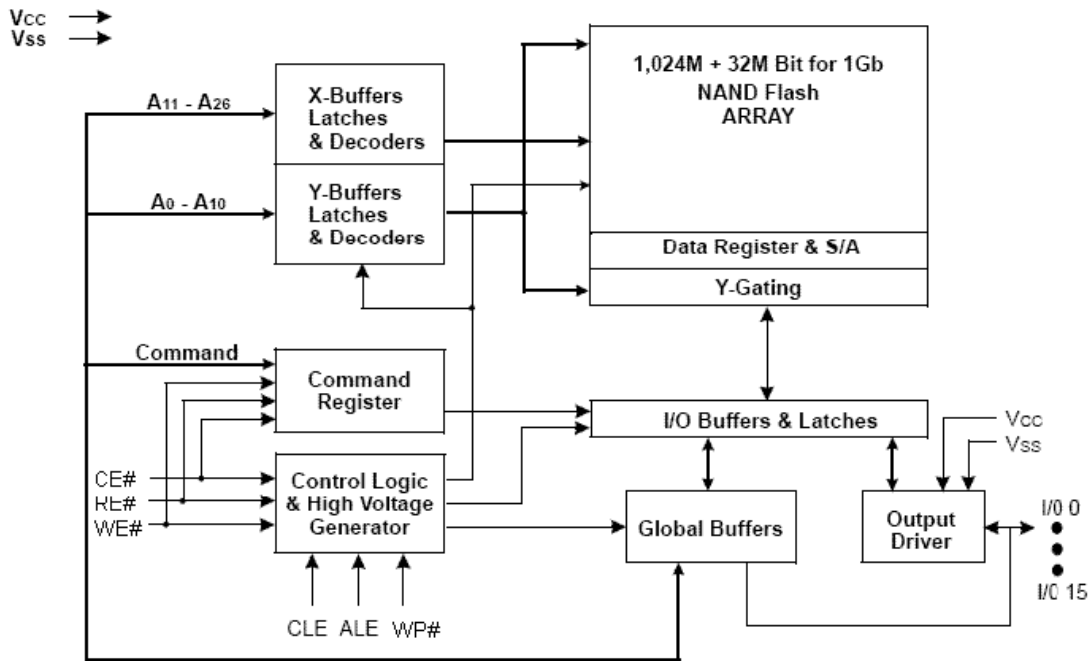
Address Cycle Map (x8)

	I/O0	I/O1	I/O2	I/O3	I/O4	I/O5	I/O6	I/O7
1st cycle	A0	A1	A2	A3	A4	A5	A6	A7
2nd cycle	A8	A9	A10	A11	L*	L*	L*	L*
3rd cycle	A12	A13	A14	A15	A16	A17	A18	A19
4th cycle	A20	A21	A22	A23	A24	A25	A26	A27

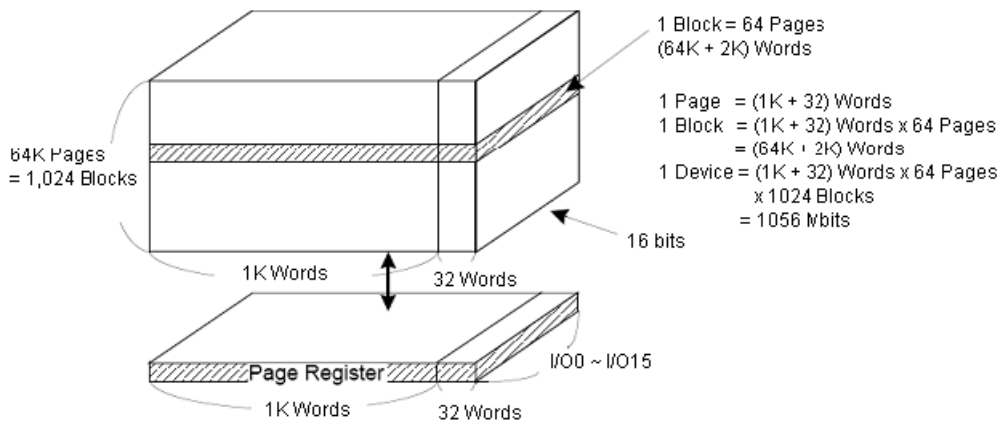
Column Address
 Column Address
 Row Address
 Row Address

Note:
 Column Address: Starting Address of the Register.
 *L must be set to "Low".
 * The device ignores any additional input of address cycles than required.

BLOCK DIAGRAM (x16)



ARRAY ORGANIZATION (x16)



Address Cycle Map (x16)

	I/O0	I/O1	I/O2	I/O3	I/O4	I/O5	I/O6	I/O7	I/O8-I/O15
1st cycle	A0	A1	A2	A3	A4	A5	A6	A7	L*
2nd cycle	A8	A9	A10	L*	L*	L*	L*	L*	L*
3rd cycle	A11	A12	A13	A14	A15	A16	A17	A18	L*
4th cycle	A19	A20	A21	A22	A23	A24	A25	A26	L*

Column Address
 Column Address
 Row Address
 Row Address

Note:
 Column Address: Starting Address of the Register.
 *L must be set to "Low".
 * The device ignores any additional input of address cycles than required.

Product Introduction

The device is a 1,056Mbit memory organized as 64K rows (pages) by 2,112x8 columns. Spare 64x8 columns are located from column address of 2,048~2,111. A 2,112-byte data register is connected to memory cell arrays accommodating data transfer between the I/O buffers and memory during page read and page program operations. The program and read operations are executed on a page basis, while the erase operation is executed on a block basis. The memory array consists of 1,024 separately erasable 128K-byte blocks. It indicates that the bit-by-bit erase operation is prohibited on the device.

The device has addresses multiplexed into 8 I/Os or 16I/Os. This scheme dramatically reduces pin counts and allows system upgrades to future densities by maintaining consistency in system board design. Command, address and data are all written through I/O's by bringing \overline{WE} to low while \overline{CE} is low. Those are latched on the rising edge of \overline{WE} . Command Latch Enable (CLE) and Address Latch Enable (ALE) are used to multiplex command and address respectively, via the I/O pins. Some commands require one bus cycle. For example, Reset Command, Status Read Command, etc require just one cycle bus. Some other commands, like page read and block erase and page program, require two cycles: one cycle for setup and the other cycle for execution.

In addition to the enhanced architecture and interface, the device incorporates copy-back program feature from one page to another page without need for transporting the data to and from the external buffer memory.

Command Set

Function	1st Cycle	2nd Cycle	Acceptable Command during Busy
Read	00h	30h	
Read for Copy Back	00h	35h	
Read ID	90h	-	
Reset	FFh	-	O
Page Program	80h	10h	
Copy-Back Program	85h	10h	
Block Erase	60h	D0h	
Random Data Input ⁽¹⁾	85h	-	
Random Data Output ⁽¹⁾	05h	E0h	
Read Status	70h	-	O
Cache Program	80h	15h	
Cache Read	31h	-	
Read Start for Last Page Cache Read	3Fh	-	

Note:

1. Random Data Input / Output can be executed in a page.

ABSOLUTE MAXIMUM RATINGS

Parameter	Symbol	Rating	Unit
Voltage on any pin relative to V _{SS}	V _{CC}	-0.6 to +2.45	V
	V _{IN}	-0.6 to +2.45	
	V _{I/O}	-0.6 to V _{CC} + 0.3 (< 2.45)	
Temperature Under Bias	T _{BIAS}	-40 to +125	°C
Storage Temperature	T _{STG}	-65 to +150	°C
Short Circuit Current	I _{OS}	5	mA

- Note:**
- Permanent device damage may occur if ABSOLUTE MAXIMUM RATINGS are exceeded. Functional operation should be restricted to the conditions as detailed in the operational sections of this data sheet. Exposure to absolute maximum rating conditions for extended periods may affect reliability.

RECOMMENDED OPERATING CONDITIONS

(Voltage reference to GND, T_A = 0 to 70°C)

Parameter	Symbol	Min.	Typ.	Max.	Unit
Supply Voltage	V _{CC}	1.7	1.8	1.95	V
Supply Voltage	V _{SS}	0	0	0	V

DC AND OPERATION CHARACTERISTICS

(Recommended operating conditions otherwise noted)

Parameter		Symbol	Test Conditions	Min.	Typ.	Max.	Unit
Operating Current	Page Read with Serial Access	I _{CC1}	t _{RC} =45ns, $\overline{CE} = V_{IL}$, I _{OUT} =0mA	-	15	30	mA
	Program	I _{CC2}	-	-	15		
	Erase	I _{CC3}	-	-	15		
Stand-by Current (TTL)		I _{SB1}	$\overline{CE} = V_{IH}$, $\overline{WP} = 0V/V_{CC}$	-	-	1	mA
Stand-by Current (CMOS)		I _{SB2}	$\overline{CE} = V_{CC} - 0.2$, $\overline{WP} = 0V/V_{CC}$	-	10	50	µA
Input Leakage Current		I _{LI}	V _{IN} =0 to V _{CC} (max)	-	-	±10	µA
Output Leakage Current		I _{LO}	V _{OUT} =0 to V _{CC} (max)	-	-	±10	µA
Input High Voltage		V _{IH} ⁽¹⁾	-	0.8 x V _{CC}	-	V _{CC} + 0.3	V
Input Low Voltage, All inputs		V _{IL} ⁽¹⁾	-	-0.3	-	0.2 x V _{CC}	V
Output High Voltage Level		V _{OH}	I _{OH} =-100µA	V _{CC} - 0.1	-	-	V
Output Low Voltage Level		V _{OL}	I _{OL} =+100µA	-	-	0.1	V
Output Low Current (R/B)		I _{OL} (R / \overline{B})	V _{OL} =0.1V	3	4	-	mA

- Note:**
- V_{IL} can undershoot to -0.4V and V_{IH} can overshoot to V_{CC}+0.4V for durations of 20ns or less.
 - Typical value are measured at V_{CC} = 1.8V, T_A = 25°C. And not 100% tested.

VALID BLOCK

Symbol	Min.	Typ.	Max.	Unit
N _{VB}	1,004	-	1,024	Blocks

- Note:**
- The device may include initial invalid blocks when first shipped. The number of valid blocks is presented as first shipped. Do not erase or program factory-marked bad blocks. Refer to the attached technical notes for appropriate management of initial invalid blocks.
 - The 1st block, which is placed on 00h block address, is guaranteed to be a valid block at the time of shipment and is guaranteed to be a valid block up to 1K program/erase cycles with 1bit/528Byte (or 1 bit/264Word) ECC.

AC TEST CONDITION

(T_A=0 to 70°C, V_{CC}=1.7V~1.95V)

Parameter	Condition
Input Pulse Levels	0V to V _{CC}
Input Rise and Fall Times	5 ns
Input and Output Timing Levels	V _{CC} /2
Output Load	1 TTL Gate and C _L =30pF

Note: * Refer to Ready / $\overline{\text{Busy}}$ section, R/B output's Busy to Ready time is decided by the pull-up resistor (R_P) tied to R/ $\overline{\text{B}}$ pin.

CAPACITANCE

(T_A=25°C, V_{CC}=1.8V, f=1.0MHz)

Item	Symbol	Test Condition	Min.	Max.	Unit
Input / Output Capacitance	C _{I/O}	V _{IL} = 0V	-	10	pF
Input Capacitance	C _{IN}	V _{IN} = 0V	-	10	pF

Note: Capacitance is periodically sampled and not 100% tested.

MODE SELECTION

CLE	ALE	$\overline{\text{CE}}$	$\overline{\text{WE}}$	$\overline{\text{RE}}$	$\overline{\text{WP}}$	Mode	
H	L	L		H	X	Read Mode	Command Input
L	H	L		H	X		Address Input (4 clock)
H	L	L		H	H	Write Mode	Command Input
L	H	L		H	H		Address Input (4 clock)
L	L	L		H	H	Data Input	
L	L	L	H		X	Data Output	
X	X	X	X	H	X	During Read (Busy)	
X	X	X	X	X	H	During Program (Busy)	
X	X	X	X	X	H	During Erase (Busy)	
X	X ⁽¹⁾	X	X	X	L	Write Protect	
X	X	H	X	X	0V/V _{CC} ⁽²⁾	Stand-by	

Note:

- X can be V_{IL} or V_{IH}.
- $\overline{\text{WP}}$ should be biased to CMOS high or CMOS low for stand-by.

Program / Erase Characteristics(T_A=0 to 70°C, V_{CC}=1.7V~1.95V)

Parameter	Symbol	Min.	Typ.	Max.	Unit
Program Time	t _{PROG}	-	250	700	us
Dummy Busy Time for Cache Program	t _{CBSY}	-	3	700	us
Number of Partial Program Cycles in the Same Page	N _{OP}	-	-	4	Cycle
Block Erase Time	t _{BERS}	-	2	10	ms

Note:

1. Typical program time is defined as the time within which more than 50% of the whole pages are programmed at 1.8V V_{CC} and 25°C temperature.
2. t_{PROG} is the average program time of all pages. Users should be noted that the program time variation from page to page is possible.
3. t_{CBSY} max. time depends on timing between internal program completion and data in.

AC Timing Characteristics for Command / Address / Data Input

Parameter	Symbol	Min.	Max.	Unit
CLE Setup Time	t _{CLS} ⁽¹⁾	25	-	ns
CLE Hold Time	t _{CLH}	10	-	ns
$\overline{\text{CE}}$ Setup Time	t _{CS} ⁽¹⁾	35	-	ns
$\overline{\text{CE}}$ Hold Time	t _{CH}	10	-	ns
$\overline{\text{WE}}$ Pulse Width	t _{WP}	25	-	ns
ALE Setup Time	t _{ALS} ⁽¹⁾	25	-	ns
ALE Hold Time	t _{ALH}	10	-	ns
Data Setup Time	t _{DS} ⁽¹⁾	20	-	ns
Data Hold Time	t _{DH}	10	-	ns
Write Cycle Time	t _{WC}	45	-	ns
$\overline{\text{WE}}$ High Hold Time	t _{WH}	15	-	ns
ALE to Data Loading Time	t _{ADL} ⁽²⁾	100	-	ns

Note:

1. The transition of the corresponding control pins must occur only once while $\overline{\text{WE}}$ is held low.
2. t_{ADL} is the time from the $\overline{\text{WE}}$ rising edge of final address cycle to the $\overline{\text{WE}}$ rising edge of first data cycle.

AC Characteristics for Operation

Parameter	Symbol	Min.	Max.	Unit	
Data Transfer from Cell to Register	t_R	-	25	us	
ALE to \overline{RE} Delay	t_{AR}	10	-	ns	
CLE to \overline{RE} Delay	t_{CLR}	10	-	ns	
Ready to \overline{RE} Low	t_{RR}	20	-	ns	
\overline{RE} Pulse Width	t_{RP}	25	-	ns	
\overline{WE} High to Busy	t_{WB}	-	100	ns	
\overline{WP} Low to \overline{WE} Low (disable mode)	t_{WW}	100	-	ns	
\overline{WP} High to \overline{WE} Low (enable mode)					
Read Cycle Time	t_{RC}	45	-	ns	
\overline{RE} Access Time	t_{REA}	-	30	ns	
\overline{CE} Access Time	t_{CEA}	-	45	ns	
\overline{RE} High to Output Hi-Z	t_{RHZ}	-	100	ns	
\overline{CE} High to Output Hi-Z	t_{CHZ}	-	30	ns	
\overline{CE} High to ALE or CLE Don't care	t_{CSD}	0	-	ns	
\overline{RE} High to Output Hold	t_{RHOH}	15	-	ns	
\overline{RE} Low to Output Hold	t_{RLOH}	5	-	ns	
\overline{CE} High to Output Hold	t_{COH}	15	-	ns	
\overline{RE} High Hold Time	t_{REH}	15	-	ns	
Output Hi-Z to \overline{RE} Low	t_{IR}	0	-	ns	
\overline{RE} High to \overline{WE} Low	t_{RHW}	100	-	ns	
\overline{WE} High to \overline{RE} Low	t_{WHR}	60	-	ns	
Device Resetting Time during ...	Read	t_{RST}	-	5	us
	Program		-	10	us
	Erase		-	500	us
	Ready		-	5 ⁽¹⁾	us
Cache Busy in Read Cache (following 31h and 3Fh)	t_{DCBSYR}	-	30	us	

Note:

1. If reset command (FFh) is written at Ready state, the device goes into Busy for maximum 5us.

NAND Flash Technical Notes

Mask Out Initial Invalid Block(s)

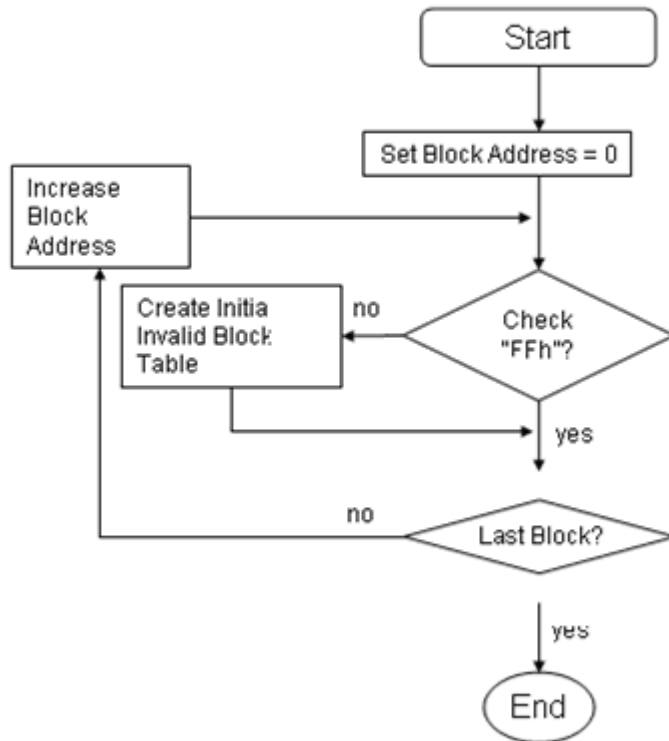
Initial invalid blocks are defined as blocks that contain one or more initial invalid bits whose reliability is not guaranteed by ESMT. The information regarding the initial invalid block(s) is called as the initial invalid block information. Devices with initial invalid block(s) have the same quality level as devices with all valid blocks and have the same AC and DC characteristics. An initial invalid block(s) does not affect the performance of valid block(s) because it is isolated from the bit line and the common source line by a select transistor. The system design must be able to mask out the initial invalid block(s) via address mapping.

The 1st block, which is placed on 00h block address, is guaranteed to be a valid block up to 1K program/erase cycles with 1 bit/528Byte (1 bit/264Word) ECC.

Identifying Initial Invalid Block(s) and Block Replacement Management

All device locations are erased (FFh) except locations where the initial invalid block(s) information is written prior to shipping. The initial invalid block(s) status is defined by the 1st byte in the spare area. ESMT makes sure that either the 1st or 2nd page of every initial invalid block has non-FFh data at the 1st byte column address in the spare area. Since the initial invalid block information is also erasable in most cases, it is impossible to recover the information once it has been erased. Therefore, the system must be able to recognize the initial invalid block(s) based on the initial invalid block information and create the initial invalid block table via the following suggested flow chart. Any intentional erasure of the initial invalid block information is prohibited.

Algorithm for Bad Block Scanning



Check "FFh" at the 1st Byte column address in the spare area of the 1st and 2nd page in the block.

```

For (i=0; i<Num_of_LUs; i++)
{
  For (j=0; j<Blocks_Per_LU; j++)
  {
    Defect_Block_Found=False;
    Read_Page(lu=i, block=j, page=0);
    If (Data[column= First_Byte_of_Spare_Area]!=FFh) Defect_Block_Found=True;
    Read_Page(lu=i, block=j, page=1);
    If (Data[column= First_Byte_of_Spare_Area]!=FFh) Defect_Block_Found=True;
    If (Defect_Block_Found)    Mark_Block_as_Defective(lu=i, block=j);
  }
}
  
```

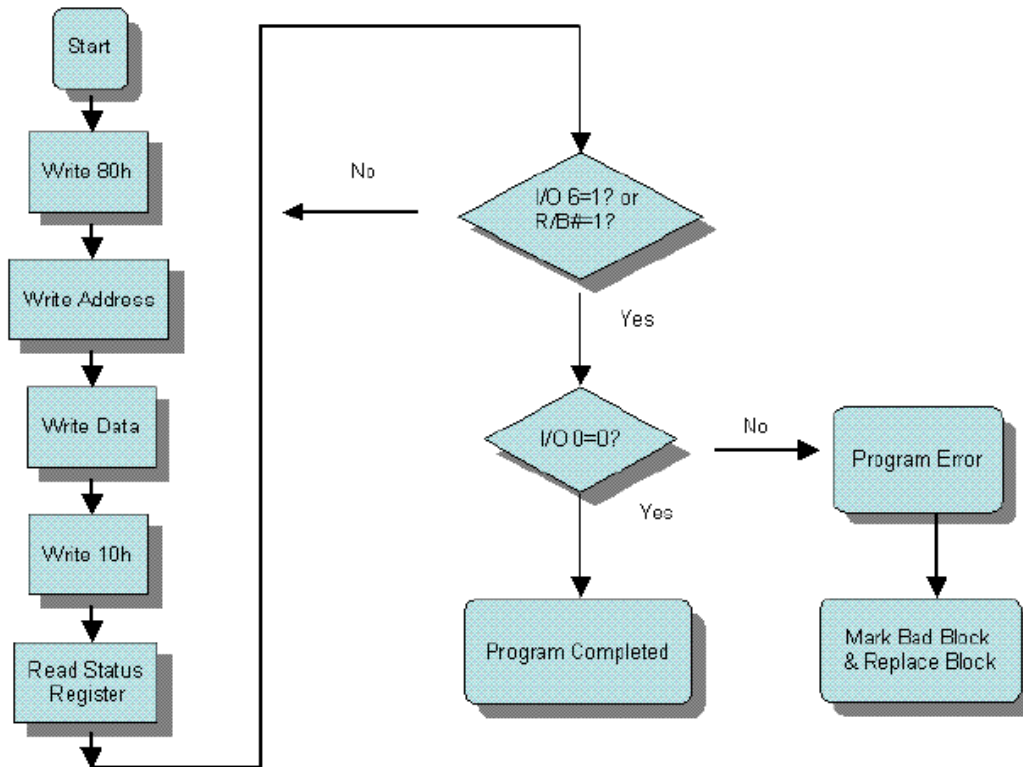
Error in Write or Read operation

Within its lifetime, additional invalid blocks may develop with NAND Flash memory. Refer to the qualification report for the actual data. The following possible failure modes should be considered to implement a highly reliable system. In the case of status read failure after erase or program, block replacement should be done. Because program status fail during a page program does not affect the data of the other pages in the same block, block replacement can be executed with a page-sized buffer by finding an erased empty block and reprogramming the current target data and copying the rest of the replaced block. In case of Read, ECC must be employed. To improve the efficiency of memory space, it is recommended that the read or verification failure due to single bit error be reclaimed by ECC without any block replacement. The additional block failure rate does not include those reclaimed blocks.

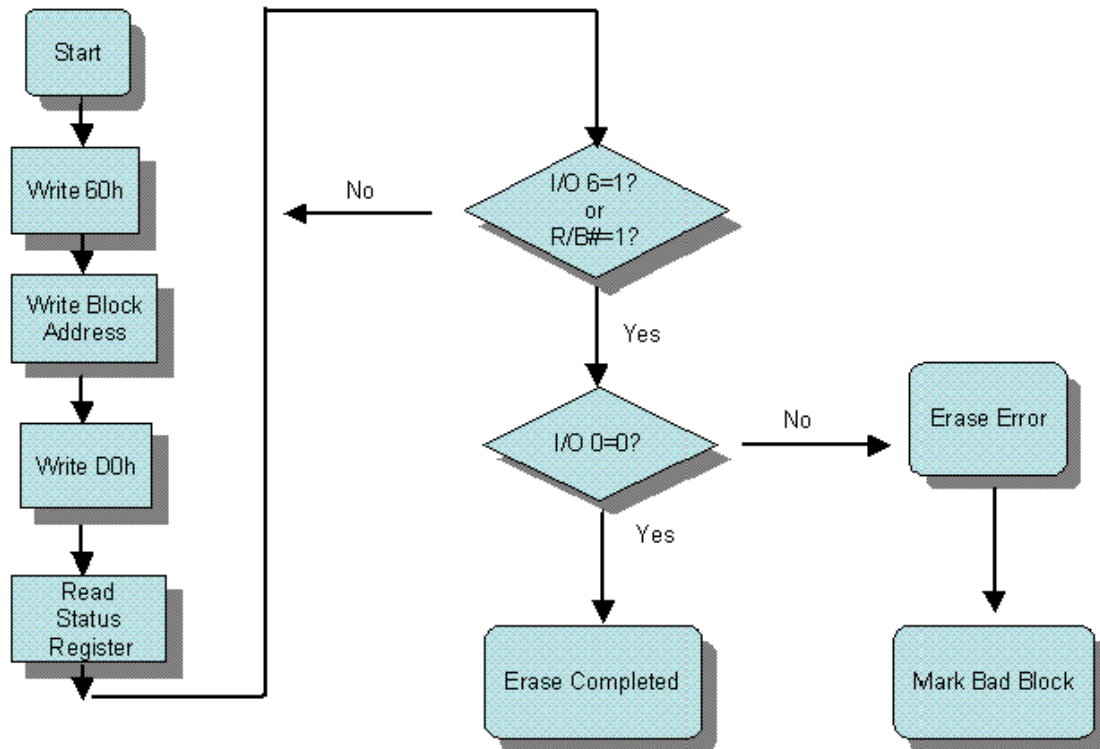
Failure Mode		Detection and Countermeasure sequence
Write	Erase failure	Read Status after Erase → Block Replacement
	Program failure	Read Status after Program → Block Replacement
Read	Single bits failure	Verify ECC → ECC Correction

Note: Error Correcting Code --> Hamming Code etc.
 Example: 1bit correction / 528 Byte

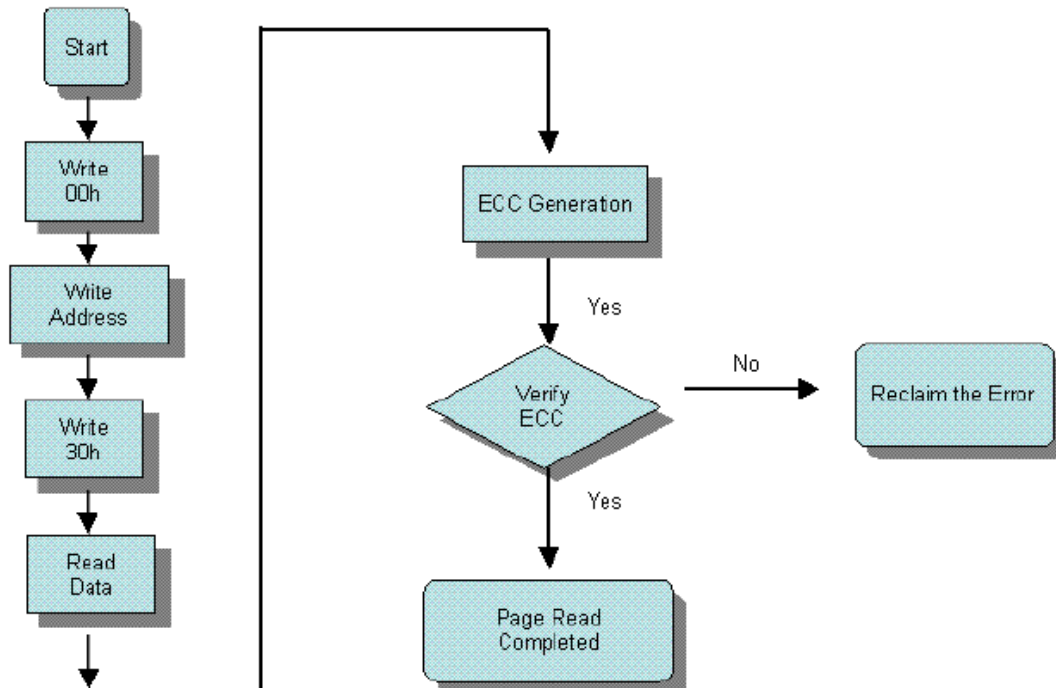
Program Flow Chart



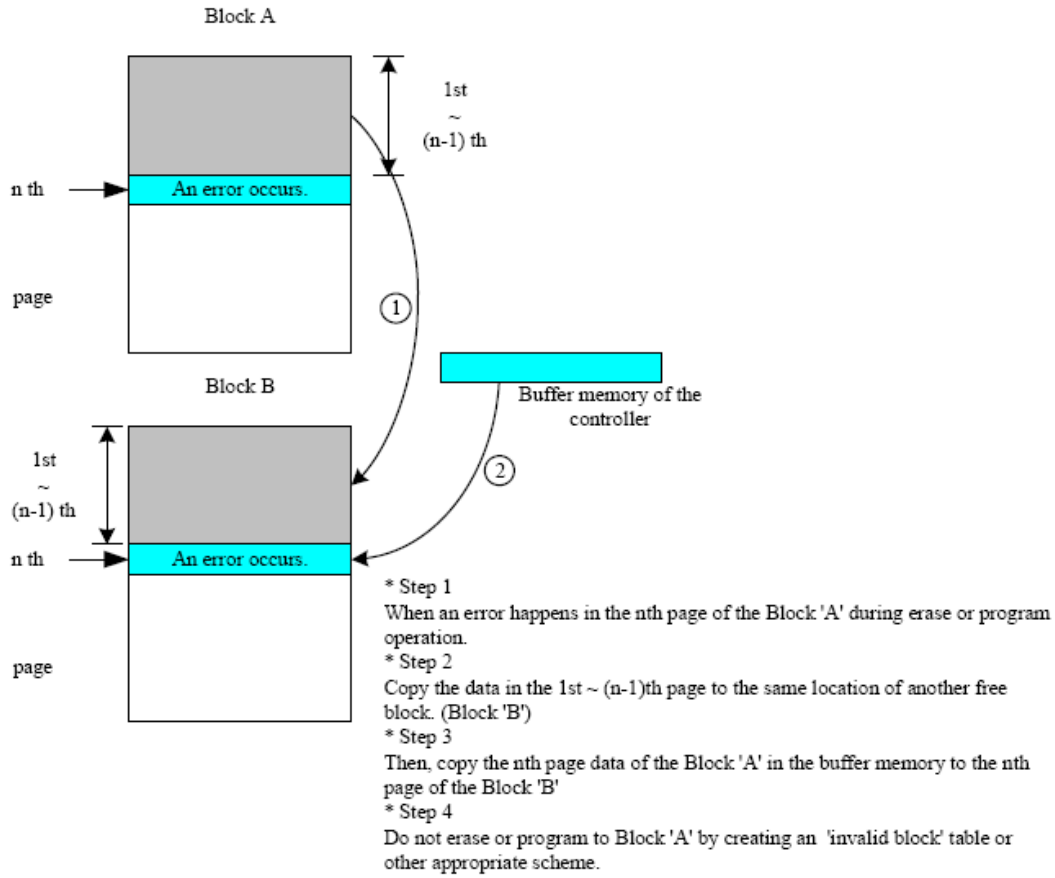
Erase Flow Chart



Read Flow Chart

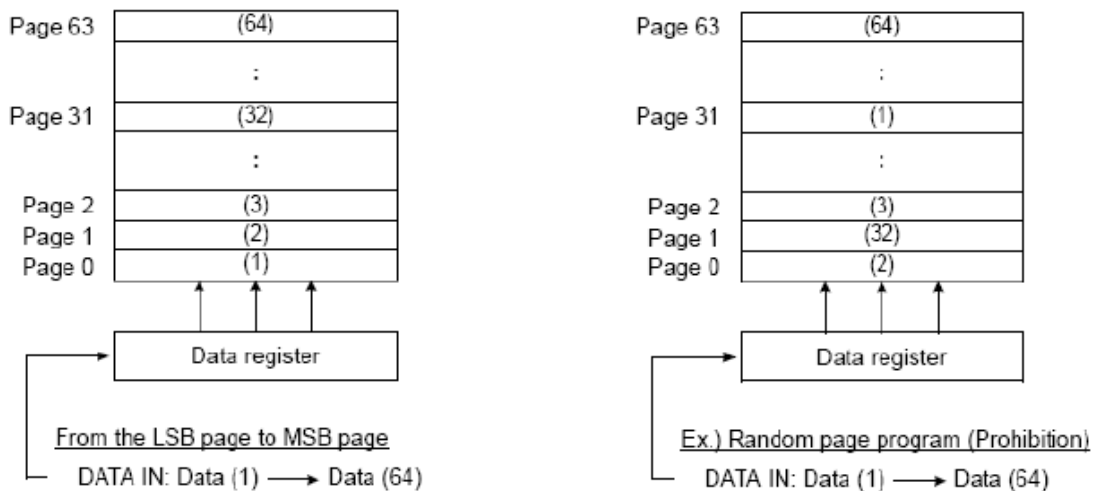


Block Replacement



Addressing for Program Operation

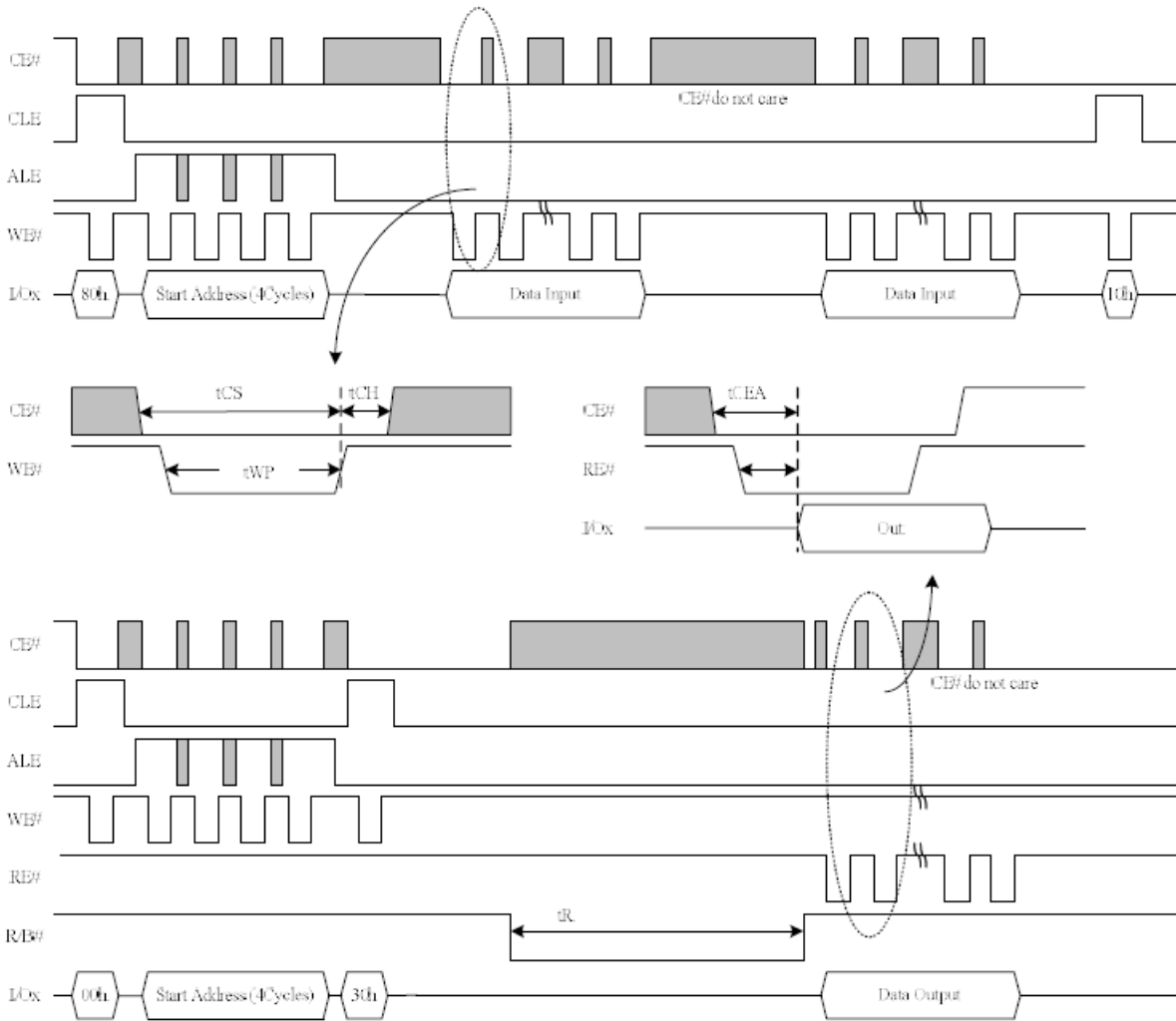
Within a block, the pages must be programmed consecutively from the LSB (least significant bit) page of the block to MSB (most significant bit) pages of the block. Random page address programming is prohibited. In this case, the definition of LSB page is the LSB among the pages to be programmed. Therefore, LSB page doesn't need to be page 0.



System Interface Using \overline{CE} Don't Care

For an easier system interface, \overline{CE} may be inactive during the data-loading or serial access as shown below. The internal 2,112byte (1,056word) data registers are utilized as separate buffers for this operation and the system design gets more flexible. In addition, for voice or audio applications that use slow cycle time on the order of μ -seconds, de-activating \overline{CE} during the data-loading and serial access would provide significant savings in power consumption.

Program / Read Operation with “ \overline{CE} not-care”

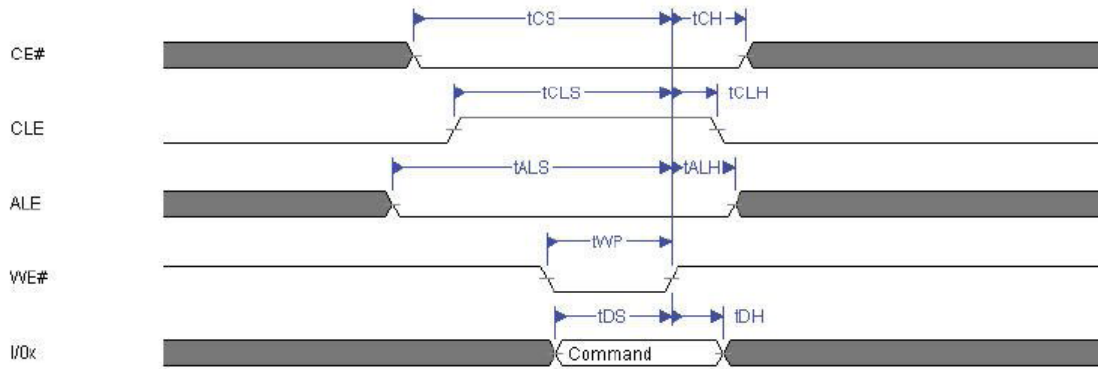


Address Information

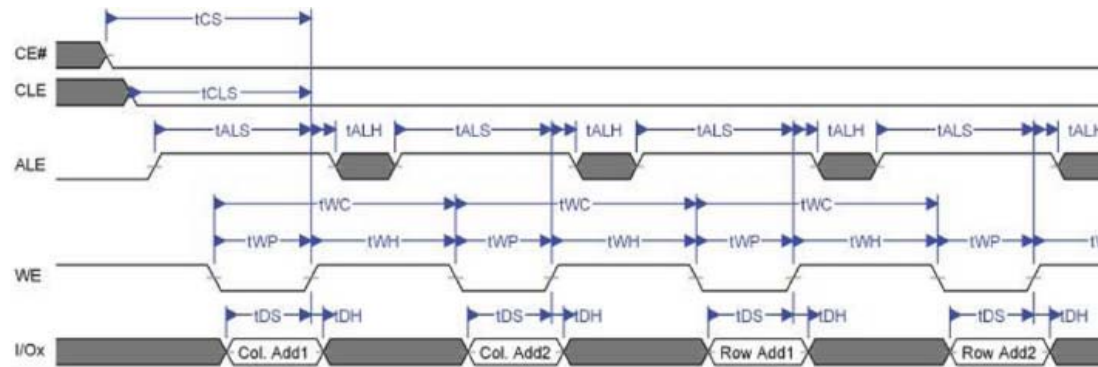
Device	Data	I/O	Address			
	Data In/Out	I/Ox	Col. Add1	Col. Add2	Row Add1	Row Add2
F59D1G81A (1Gb x8)	2,112 Byte	I/O 0 ~ I/O 7	A0 ~ A7	A8 ~ A11	A12 ~ A19	A20 ~ A27
F59D1G161A (1Gb x16)	1,056 Word	I/O 0 ~ I/O 15	A0 ~ A7	A8 ~ A10	A11 ~ A18	A19 ~ A26

Timing Diagrams

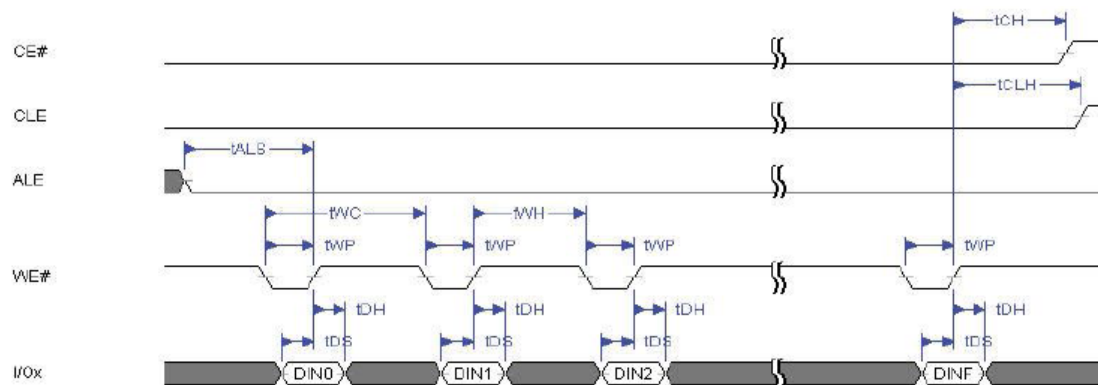
Command Latch Cycle



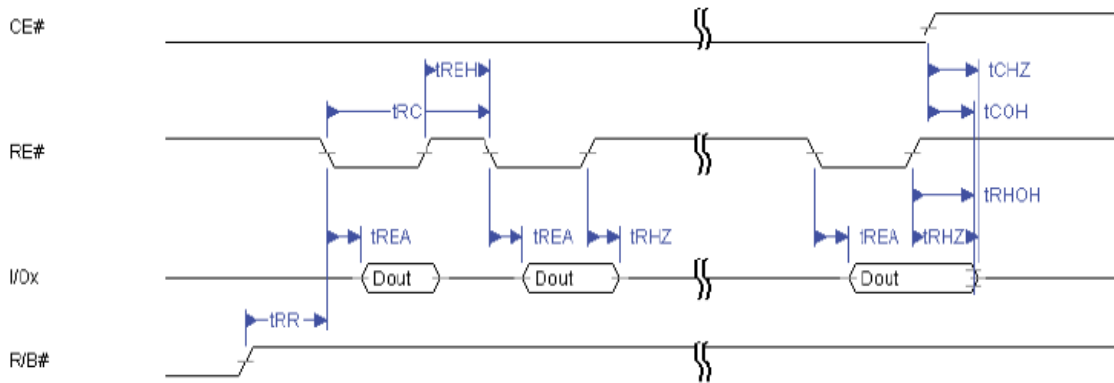
Address Latch Cycle



Input Data Latch Cycle



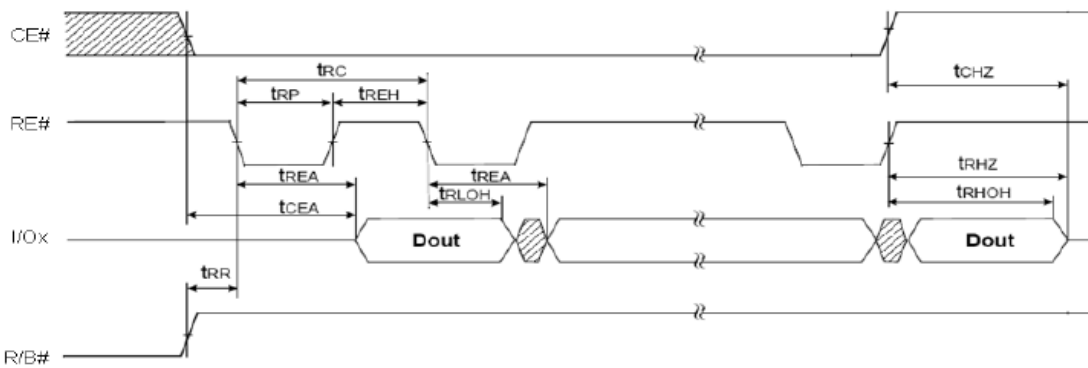
Serial Access Cycle after Read (CLE = L, \overline{WE} = H, ALE = L)



NOTE:

1. Dout transition is measured at $\pm 200\text{mV}$ from steady state voltage at I/O with load.
2. t_{RHOH} starts to be valid when frequency is lower than 20MHz.

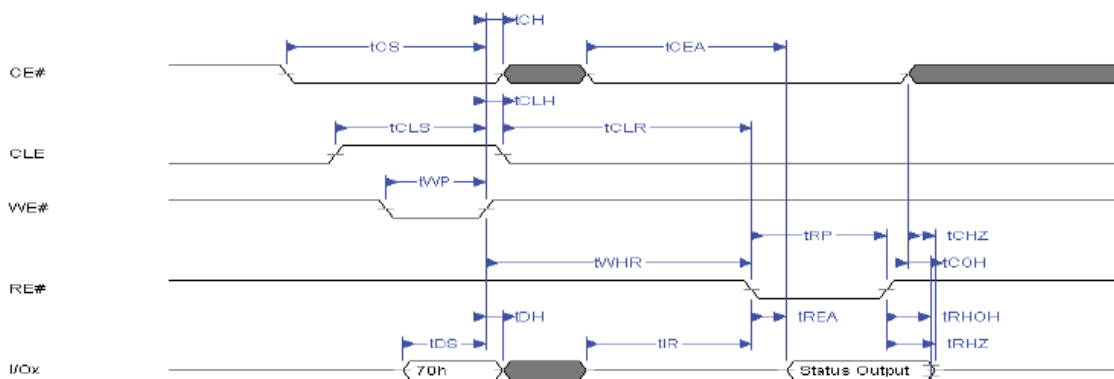
Serial Access Cycle after Read (EDO Type CLE = L, \overline{WE} = H, ALE = L)



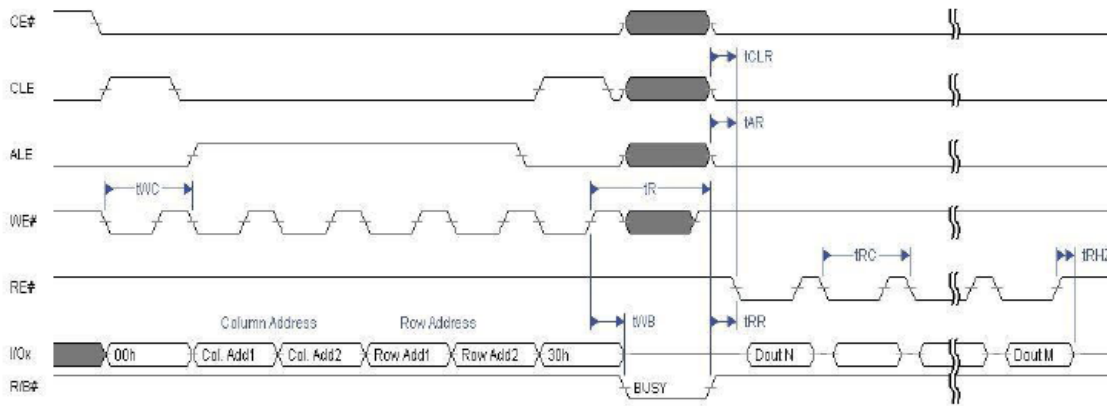
NOTE:

1. Transition is measured at $\pm 200\text{mV}$ from steady state voltage with load. This parameter is sample and not 100% tested. (t_{CHZ} , t_{RHZ})
2. t_{RLOH} is valid when frequency is higher than 33MHz. t_{RHOH} starts to be valid when frequency is lower than 33MHz.

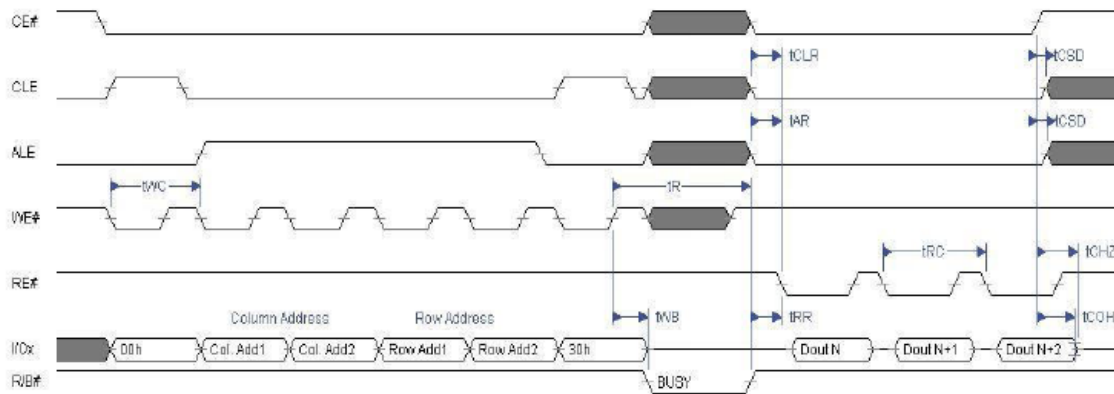
Status Read Cycle



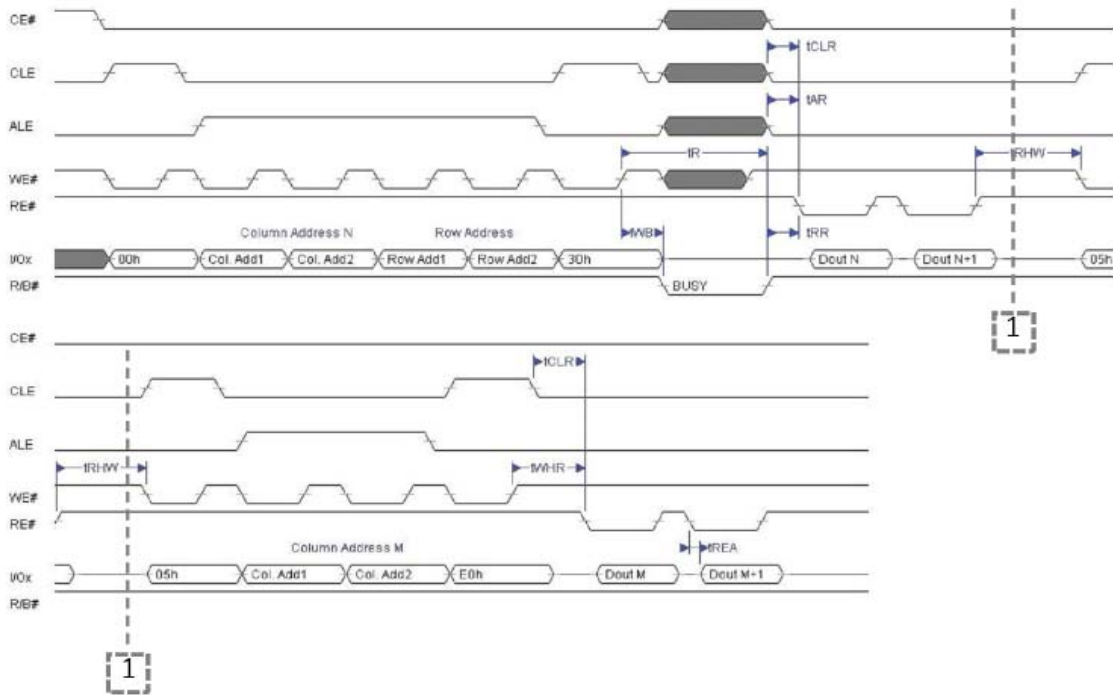
Read Operation



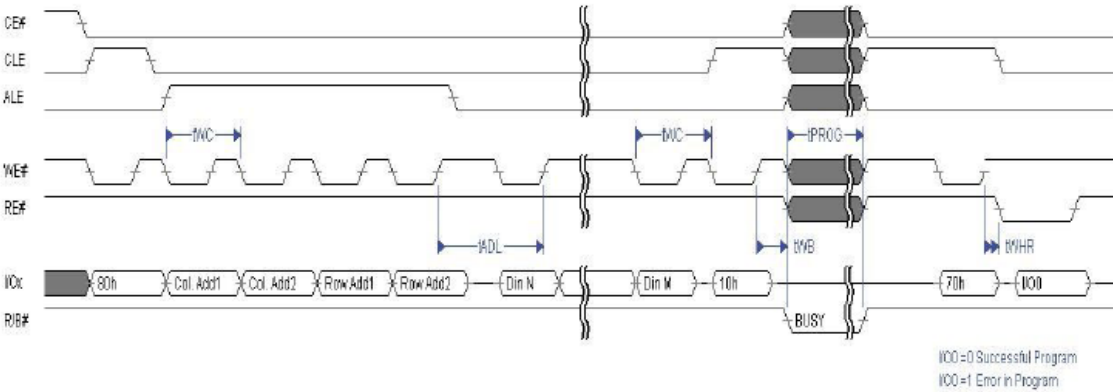
Read Operation (Intercepted by \overline{CE})



Random Data Output In a Page

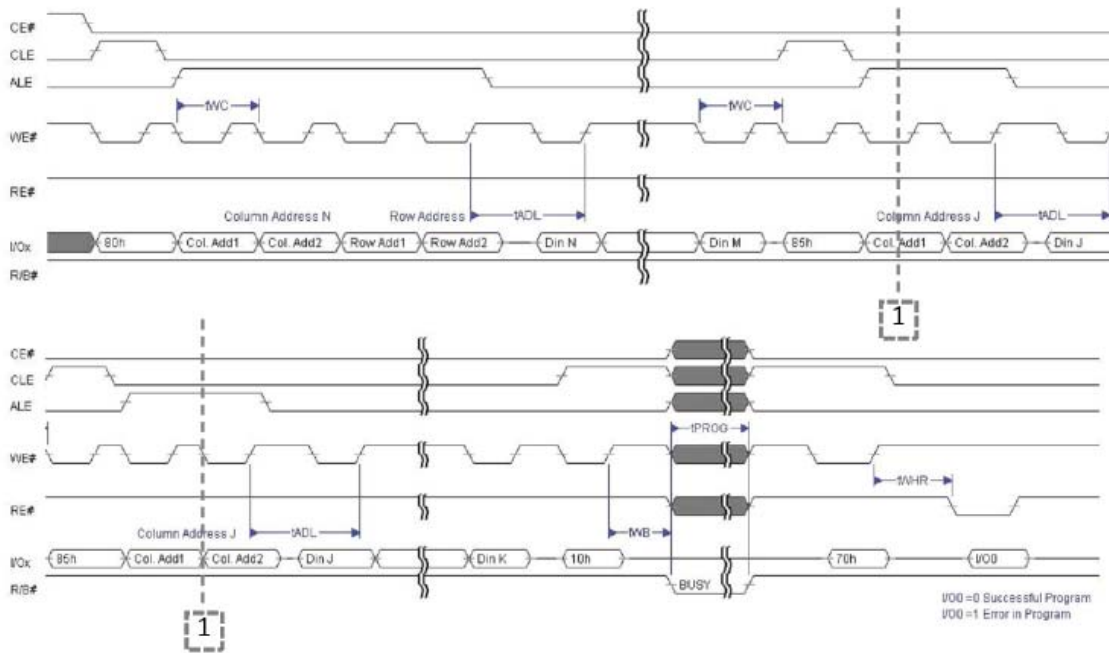


Page Program Operation



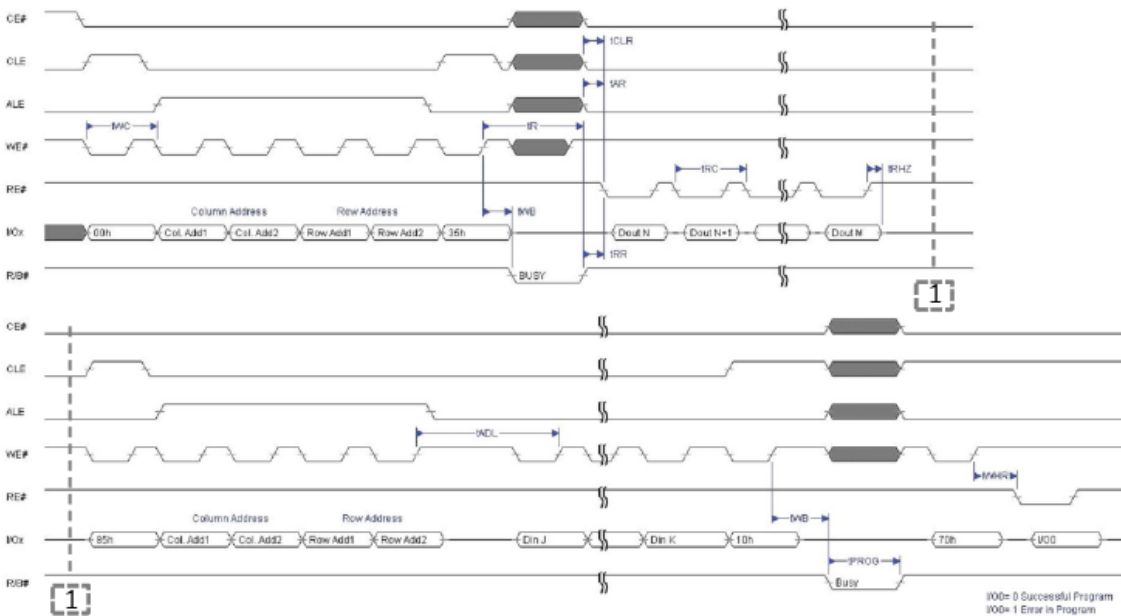
NOTE: t_{ADL} is the time from the \overline{WE} rising edge of final address cycle to the \overline{WE} rising edge of the first data cycle.

Page Program Operation with Random Data Input

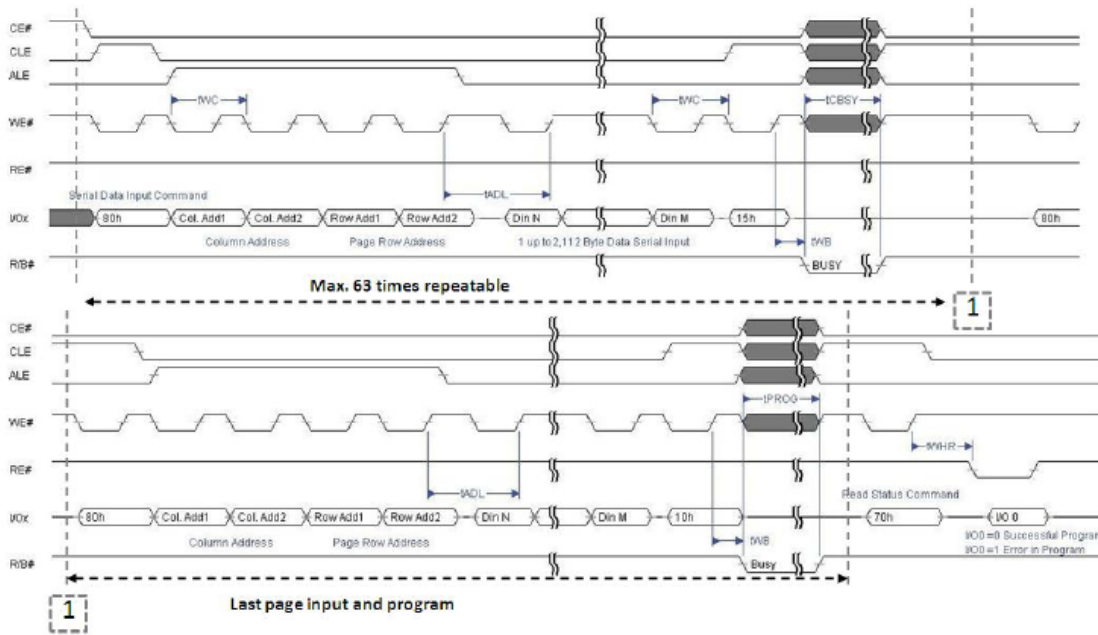


NOTE: t_{ADL} is the time from the \overline{WE} rising edge of final address cycle to the \overline{WE} rising edge of the first data cycle.

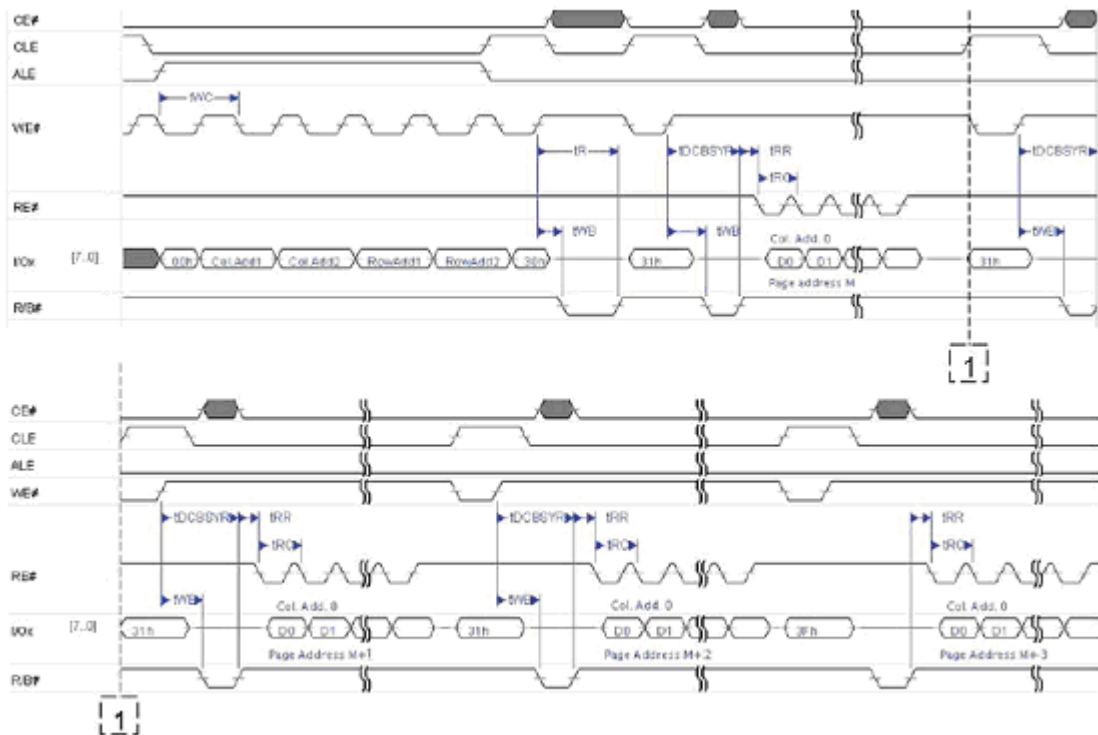
Copy-Back Operation with Random Data Input



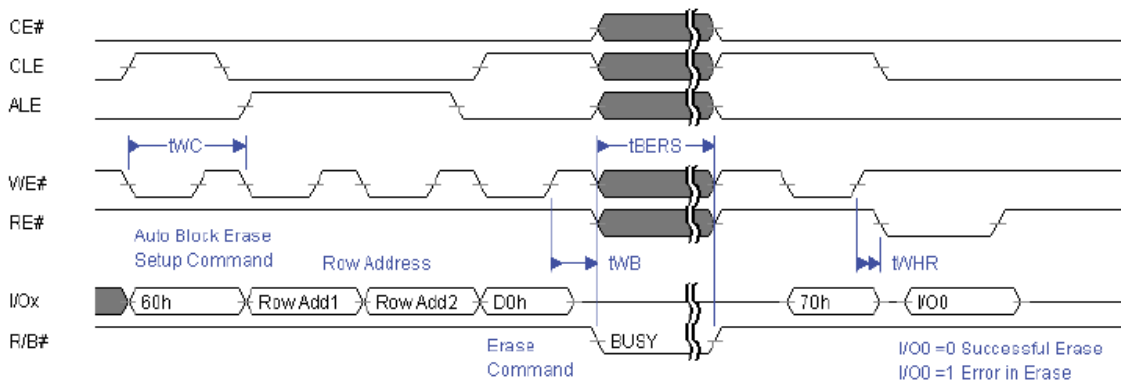
Cache Program Operation



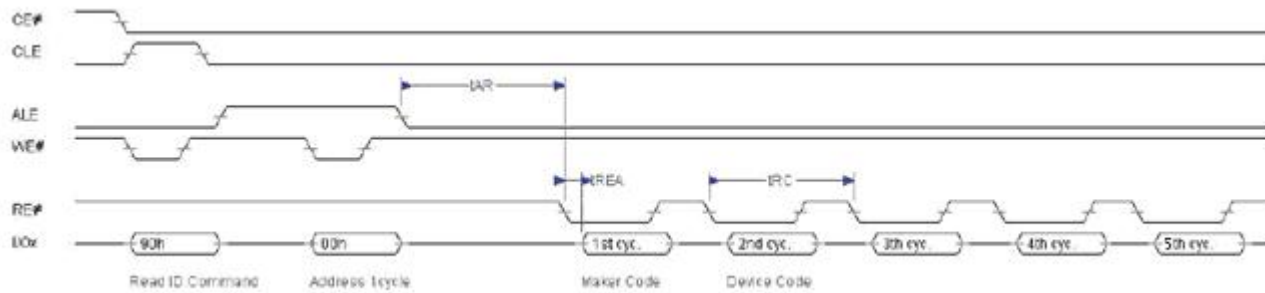
Cache Read Operation



Block Erase Operation



Read ID Operation



ID Definition Table

ID Access command = 90h

Product ID	1 st Cycle (Maker Code)	2 nd Cycle (Device Code)	3 rd Cycle	4 th Cycle	5 th Cycle
F59D1G81A (x8)	C8h	A1h	80h	15h	40h
F59D1G161A (x16)	C8h	B1h	80h	55h	40h

	Description
1 st Byte	Maker Code
2 nd Byte	Device Code
3 rd Byte	Internal Chip Number, Cell Type, etc.
4 th Byte	Page Size, Block Size, etc.
5 th Byte	Plane Number, Plane Size, ECC Level

3rd ID Data

Item	Description	I/O7	I/O6	I/O5	I/O4	I/O3	I/O2	I/O1	I/O0
Internal Chip Number	1							0	0
	2							0	1
	4							1	0
	8							1	1
Cell Type	2 Level Cell					0	0		
	4 Level Cell					0	1		
	8 Level Cell					1	0		
	16 Level Cell					1	1		
Number of Simultaneously Programmed Page	1			0	0				
	2			0	1				
	4			1	0				
	8			1	1				
Interleave Program Between Multiple Chips	Not Support		0						
	Support		1						
Cache Program	Not Support	0							
	Support	1							

4th ID Data

Item	Description	I/O7	I/O6	I/O5	I/O4	I/O3	I/O2	I/O1	I/O0
Page Size (w/o redundant area)	1KB							0	0
	2KB							0	1
	4KB							1	0
	8KB							1	1
Redundant Area Size (byte/512byte)	8						0		
	16						1		
Block Size (w/o redundant area)	64KB			0	0				
	128KB			0	1				
	256KB			1	0				
	512KB			1	1				
Organization	x8		0						
	x16		1						
Serial Access Time	45ns	0				0			
	Reserved	0				1			
	Reserved	1				0			
	Reserved	1				1			

5th ID Data

Item	Description	I/O7	I/O6	I/O5	I/O4	I/O3	I/O2	I/O1	I/O0
ECC Level	1bit ECC/512Byte							0	0
	2bit ECC/512Byte							0	1
	4bit ECC/512Byte							1	0
	Reserved							1	1
Plane Number	1					0	0		
	2					0	1		
	4					1	0		
	8					1	1		
Plane Size (w/o redundant area)	64Mb		0	0	0				
	128Mb		0	0	1				
	256Mb		0	1	0				
	512Mb		0	1	1				
	1Gb		1	0	0				
	2Gb		1	0	1				
	4Gb		1	1	0				
	8Gb		1	1	1				
Reserved	Reserved	0							

Device Operation

Page Read

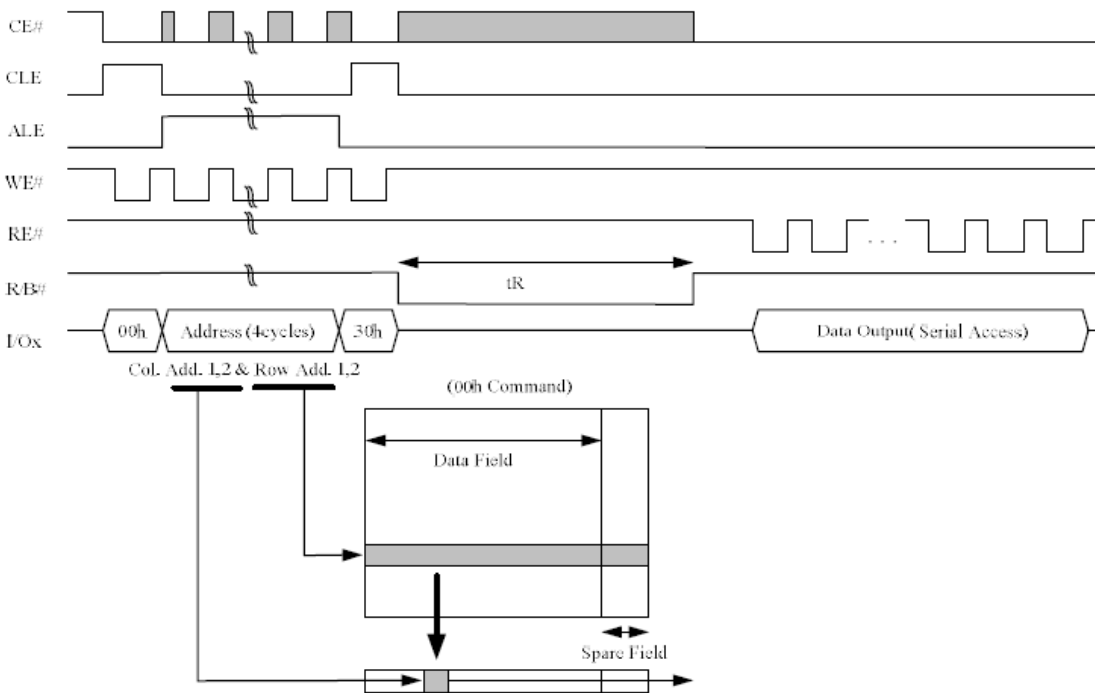
Upon initial device power up, the device defaults to Read mode. This operation is also initiated by writing 00h command, four-cycle address, and 30h command. After initial power up, the 00h command can be skipped because it has been latched in the command register. The 2,112Byte (1,056Word) of data on a page are transferred to cache registers via data registers within 25us (t_R). Host controller can detect the completion of this data transfer by checking the R/ \bar{B} output. Once data in the selected page have been loaded into cache registers, each Byte can be read out in 45ns cycle time by continuously pulsing \bar{RE} . The repetitive high-to-low transitions of \bar{RE} clock signal make the device output data starting from the designated column address to the last column address.

The device can output data at a random column address instead of sequential column address by using the Random Data Output command. Random Data Output command can be executed multiple times in a page.

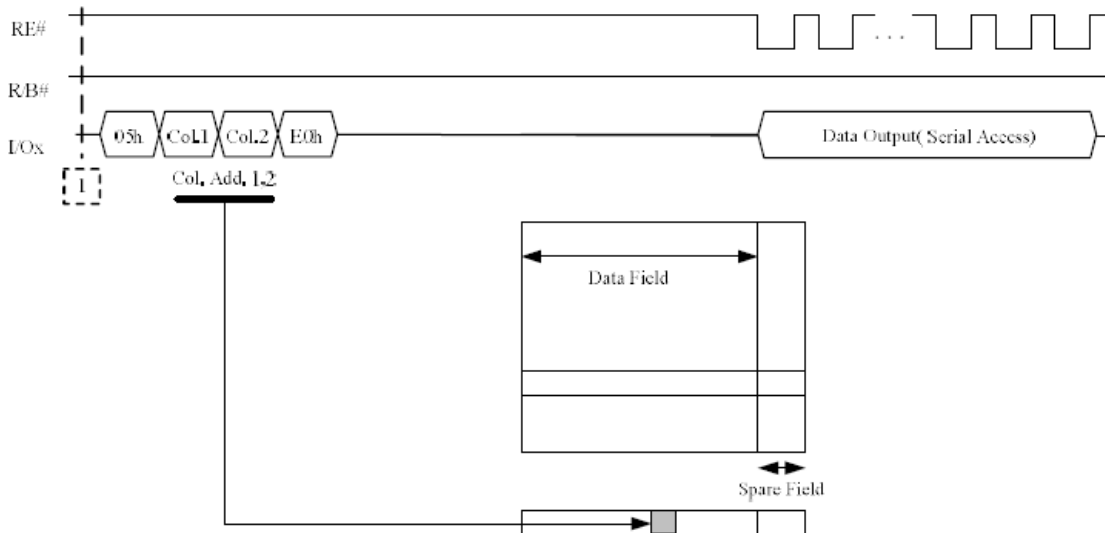
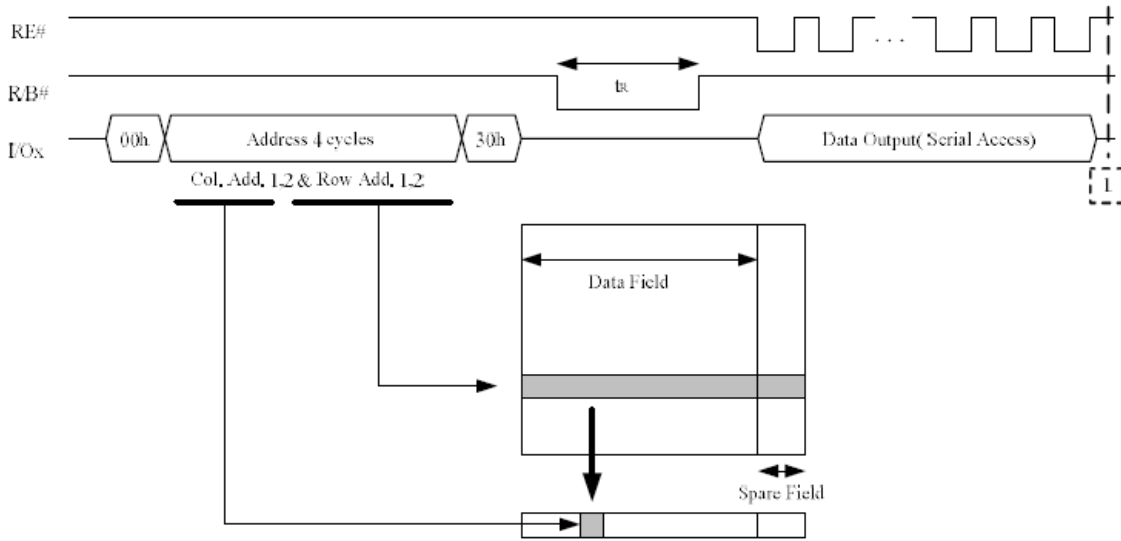
After power up, device is in read mode so 00h command cycle is not necessary to start a read operation.

A page read sequence is illustrated in under figure, where column address, page address are placed in between commands 00h and 30h. After t_R read time, the R/ \bar{B} de-asserts to ready state. Host controller can toggle \bar{RE} to access data starting with the designated column address and their successive bytes.

Read Operation



Random Data Output In a Page



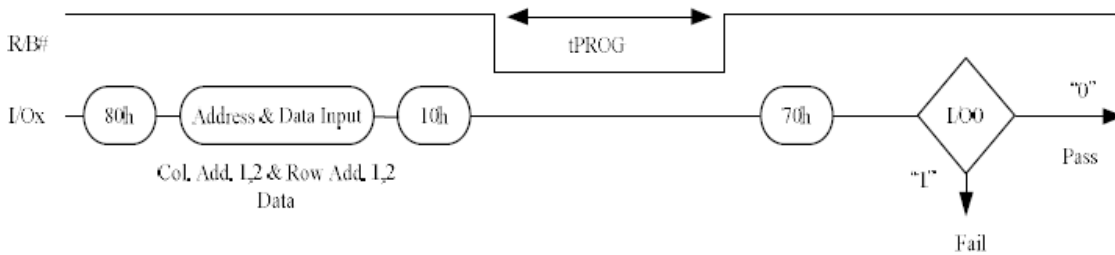
Page Program

The device is programmed basically on a page basis, but it does allow multiple partial page programming of a word or consecutive bytes up to 2,112(x8) or words up to 1,056(x16), in a single page program cycle. The number of consecutive partial page programming operation within the same page without an intervening erase operation must not exceed 4 times for a single page. Addressing of page program operations within a block should be in sequential order. A complete page program cycle consists of a serial data input cycle in which up to 2,112byte (1,056word) of data can be loaded into data register via cache register, followed by a programming period during which the loaded data are programmed into the designated memory cells.

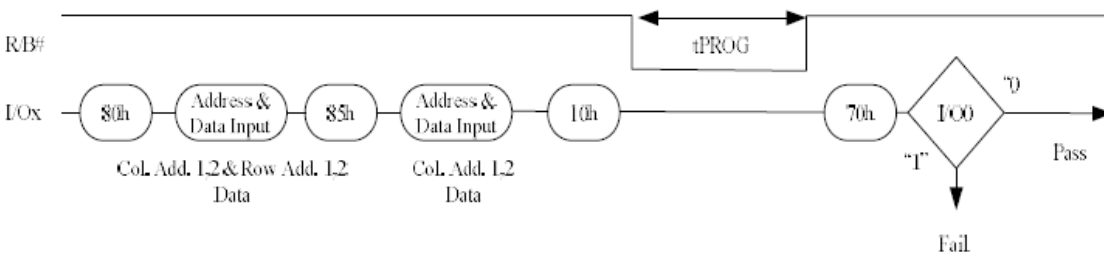
The serial data input cycle begins with the Serial Data Input command (80h), followed by a four-cycle address input and then serial data loading. The bytes not to be programmed on the page do not need to be loaded. The column address for the next data can be changed to the address follows Random Data Input command (85h). Random Data Input command may be repeated multiple times in a page. The Page Program Confirm command (10h) starts the programming process. Writing 10h alone without entering data will not initiate the programming process. The internal write engine automatically executes the corresponding algorithm and controls timing for programming and verification, thereby freeing the host controller for other tasks. Once the program process starts, the host controller can detect the completion of a program cycle by monitoring the R/B output or reading the Status bit (I/O6) using the Read Status command. Only Read Status and Reset commands are valid during programming. When the Page Program operation is completed, the host controller can check the Status bit (I/O0) to see if the Page Program operation is successfully done. The command register remains the Read Status mode unless another valid command is written to it.

A page program sequence is illustrated in under figure, where column address, page address, and data input are placed in between 80h and 10h. After t_{PROG} program time, the R/B de-asserts to ready state. Read Status command (70h) can be issued right after 10h.

Program & Read Status Operation



Random Data Input In a Page

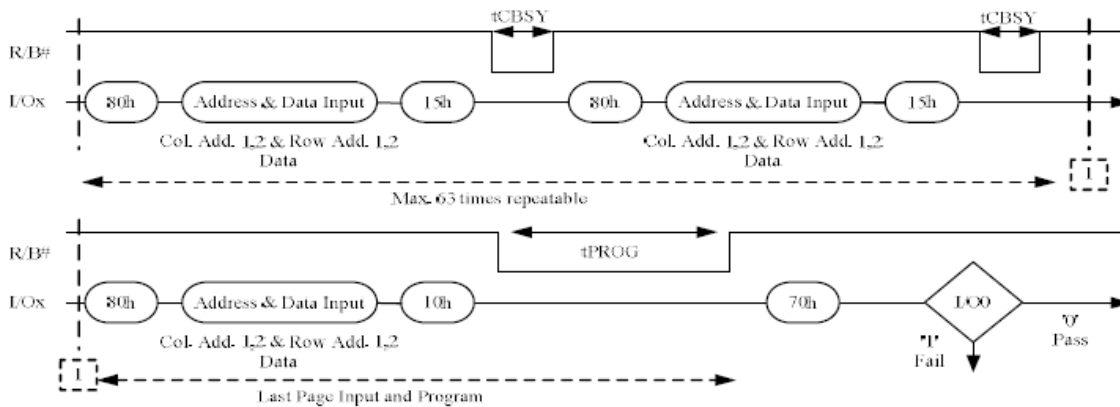


Cache Program

Cache Program is an extension of Page Program, which is executed with 2,112 bytes (x8) or 1,056 words (x16) data registers, and is available only within a block. Since the device has 1 page of cache memory, serial data input may be executed while data stored in data register are programmed into memory cell.

After writing the first set of data up to 2,112 bytes (x8) or 1,056 words (x16) into the selected cache registers, Cache Program command (15h) instead of actual Page Program (10h) is inputted to make cache registers free and to start internal program operation. To transfer data from cache registers to data registers, the device remains in Busy state for a short period of time (t_{CBSY}) and has its cache registers ready for the next data-input while the internal programming gets started with the data loaded into data registers. Read Status command (70h) may be issued to find out when cache registers become ready by polling the Cache-Busy status bit (I/O6). Pass/fail status of only the previous page is available upon the return to Ready state. When the next set of data is inputted with the Cache Program command, t_{CBSY} is affected by the progress of pending internal programming. The programming of the cache registers is initiated only when the pending program cycle is finished and the data registers are available for the transfer of data from cache registers. The status bit (I/O5) for internal Ready/Busy may be polled to identify the completion of internal programming. If the system monitors the progress of programming only with R/\bar{B} , the last page of the target programming sequence must be programmed with actual Page Program command (10h).

Cache Program (available only within a block)



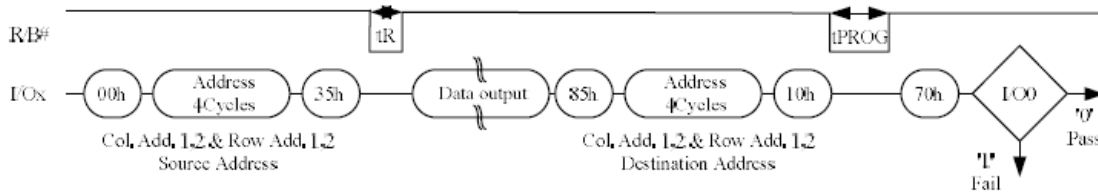
Note:

1. Since programming the last page does not employ caching, the program time has to be that of Page Program. However, if the previous program cycle with the cache data has not finished, the actual program cycle of the last page is initiated only after completion of the previous cycle, which can be expressed as the following formula.
2. $t_{PROG} = \text{Program time for the last page} + \text{Program time for the (last-1)th page} - (\text{Program command cycle time} + \text{Last page data loading time})$

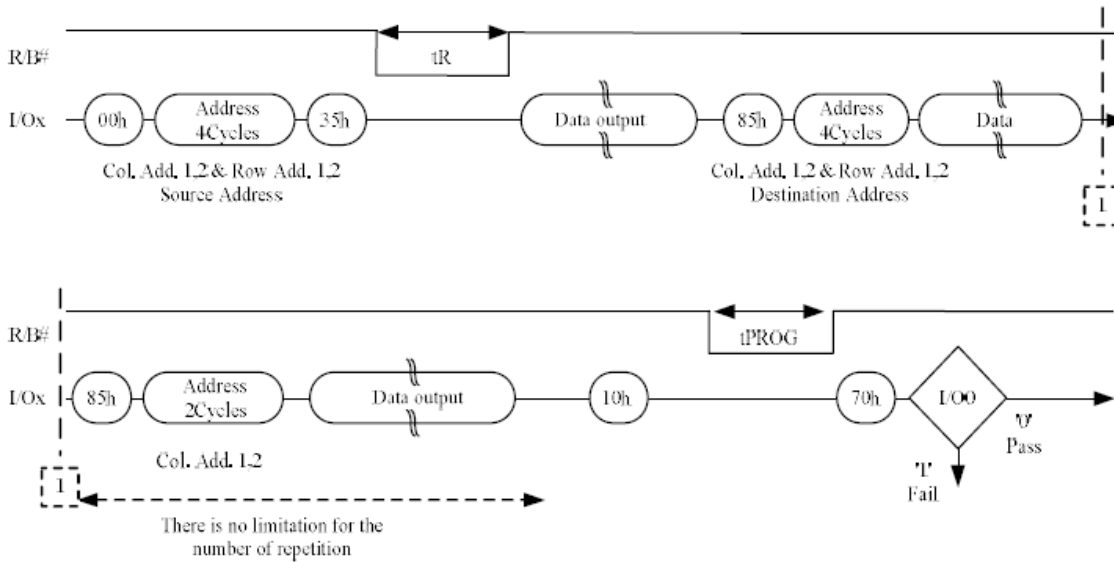
Copy-Back Program

Copy-Back Program is designed to efficiently copy data stored in memory cells without time-consuming data reloading when there is no bit error detected in the stored data. The benefit is particularly obvious when a portion of a block is updated and the rest of the block needs to be copied to a newly assigned empty block. Copy-Back operation is a sequential execution of Read for Copy-Back and of Copy-Back Program with Destination address. A Read for Copy-Back operation with “35h” command and the Source address moves the whole 2,112byte (1,056word) data into the internal buffer. The host controller can detect bit errors by sequentially reading the data output. Copy-Back Program is initiated by issuing Page-Copy Data-Input command (85h) with Destination address. If data modification is necessary to correct bit errors and to avoid error propagation, data can be reloaded after the Destination address. Data modification can be repeated multiple times as shown in under figure. Actual programming operation begins when Program Confirm command (10h) is issued. Once the program process starts, the Read Status command (70h) may be entered to read the status register. The host controller can detect the completion of a program cycle by monitoring the R/\bar{B} output, or the Status bit (I/O6) of the Status Register. When the Copy-Back Program is complete, the Status Bit (I/O0) may be checked. The command register remains Read Status mode until another valid command is written to it.

Page Copy-Back Program Operation



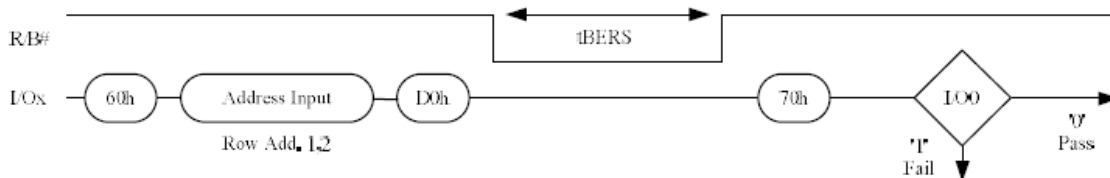
Page Copy-Back Program Operation with Random Data Input



Block Erase

The block-based Erase operation is initiated by an Erase Setup command (60h), followed by a two-cycle row address, in which only Plane address and Block address are valid while Page address is ignored. The Erase Confirm command (D0h) following the row address starts the internal erasing process. The two-step command sequence is designed to prevent memory content from being inadvertently changed by external noise. At the rising edge of \overline{WE} after the Erase Confirm command input, the internal control logic handles erase and erase-verify. When the erase operation is completed, the host controller can check Status bit (I/O0) to see if the erase operation is successfully done. The under figure illustrates a block erase sequence, and the address input (the first page address of the selected block) is placed in between commands 60h and D0h. After t_{BERS} erase time, the R/\overline{B} de-asserts to ready state. Read Status command (70h) can be issued right after D0h to check the execution status of erase operation.

Block Erase Operation



Read Status

A status register on the device is used to check whether program or erase operation is completed and whether the operation is completed successfully. After writing 70h command to the command register, a read cycle outputs the content of the status register to I/O pins on the falling edge of \overline{CE} or \overline{RE} , whichever occurs last. The command allows the system to poll the progress of each device in multiple memory connections even when R/\overline{B} pins are common-wired. \overline{RE} or \overline{CE} does not need to toggle for status change.

Read Status command 70h is used to retrieve operating status of commands like page read, page program and block erase.

The command register remains in Read Status mode unless other commands are issued to it. Therefore, if the status register is read during a random read cycle, a read command (00h) is needed to start read cycles.

Status Register Definition for 70h Command

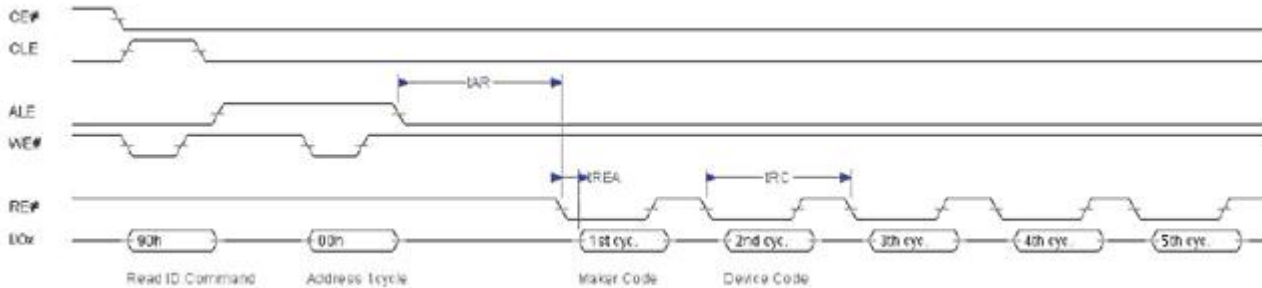
I/O	Page Program	Block Erase	Read	Cache Read	Definition
I/O0	Pass / Fail	Pass / Fail	NA	NA	Pass: 0 Fail: 1
I/O1	NA	NA	NA	NA	Don't cared
I/O2	Pass/Fail (for OTP)	NA	NA	NA	Don't cared
I/O3	NA	NA	NA	NA	Don't cared
I/O4	NA	NA	NA	NA	Don't cared
I/O5	NA	NA	NA	True Ready / Busy	Busy: 0 Ready: 1
I/O6	Ready / Busy	Ready / Busy	Ready / Busy	Ready / Busy	Busy: 0 Ready: 1
I/O7	Write Protect	Write Protect	Write Protect	Write Protect	Protected: 0 Not Protected: 1

Note: I/Os defined 'NA' are recommended to be masked out when Read Status is being executed.

Read ID

The device contains a product identification mode, initiated by writing 90h to the command register, followed by an address input of 00h. Four read cycles sequentially output the manufacturer code (C8h), and the device code and 3rd, 4th, 5th cycle ID respectively. The command register remains in Read ID mode until further commands are issued to it.

Read ID Operation



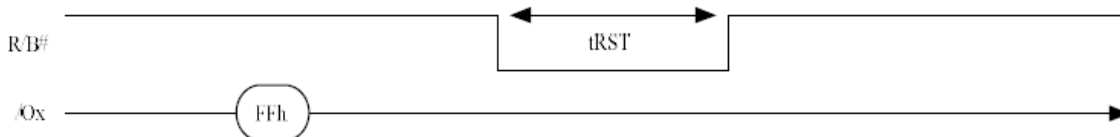
ID Definition Table

Product ID	1 st Cycle (Maker Code)	2 nd Cycle (Device Code)	3 rd Cycle	4 th Cycle	5 th Cycle
F59D1G81A (x8)	C8h	A1h	80h	15h	40h
F59D1G161A (x16)	C8h	B1h	80h	55h	40h

Reset

The device offers a reset feature, executed by writing FFh to the command register. When the device is in Busy state during random read, program or erase mode, the reset operation will abort these operations. The contents of memory cells being altered are no longer valid, as the data will be partially programmed or erased. The command register is cleared to wait for the next command, and the Status Register is cleared to value C0h when \overline{WP} is high. If the device is already in reset state a new reset command will be accepted by the command register. The R/ \overline{B} pin changes to low for t_{RST} after the Reset command is written. Refer to the figure below.

Reset Operation



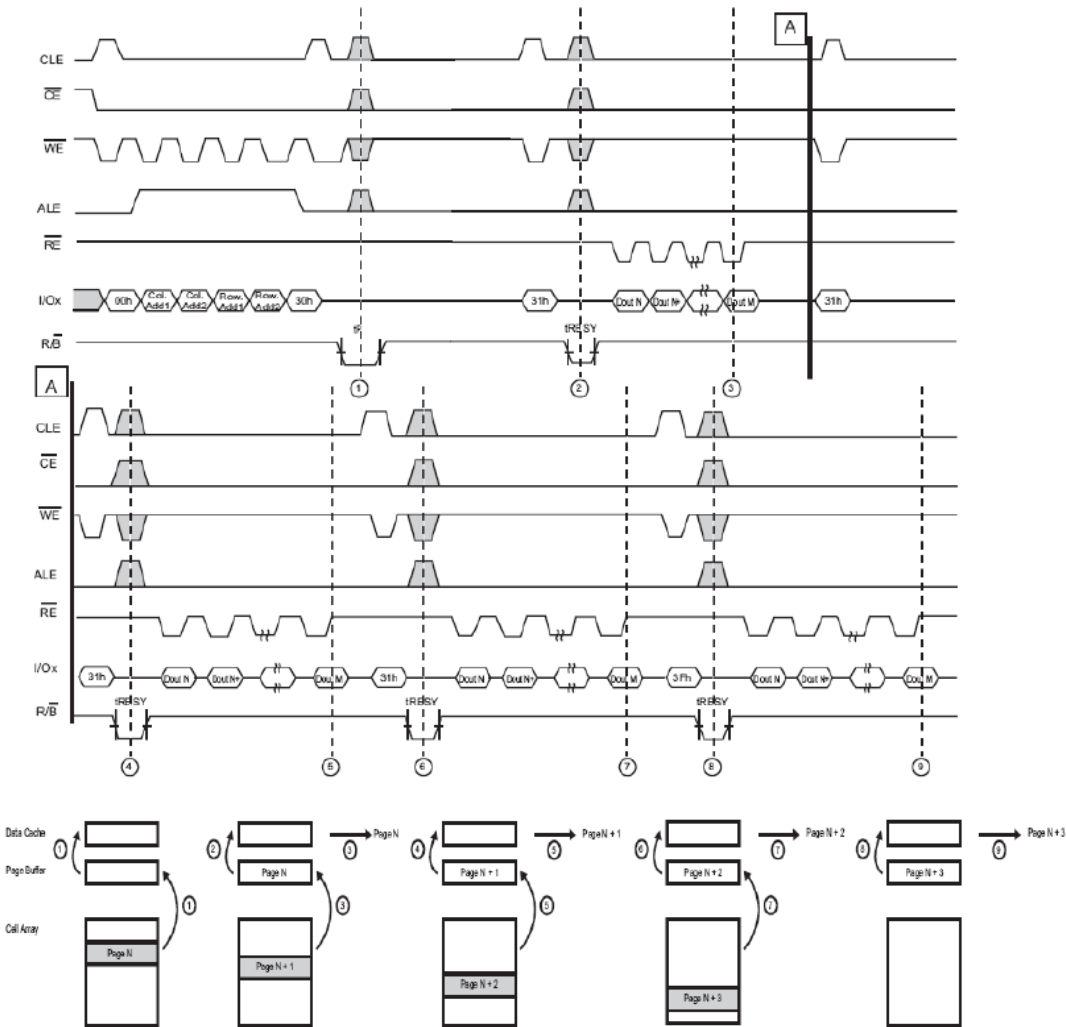
Device Status Table

	After Power-up	After Reset
Operation Mode	00h Command is latched	Waiting for next command

Cache Read

Cache Read is an extension of Page Read, and is available only within a block. The normal Page Read command (00h-30h) is always issued before invoking Cache Read. After issuing the Cache Read command (31h), read data of the designated page (page N) are transferred from data registers to cache registers in a short time period of t_{DCBSYR} , and then data of the next page (page N+1) is transferred to data registers while the data in the cache registers are being read out. Host controller can retrieve continuous data and achieve fast read performance by iterating Cache Read operation. The Read Start for Last Page Cache Read command (3Fh) is used to complete data transfer from memory cells to data registers.

Read Operation with Cache Read



Ready / $\overline{\text{Busy}}$

The device has a $\overline{\text{R/B}}$ output that provides a hardware method of indicating the completion of a page program, erase and random read completion. The $\overline{\text{R/B}}$ pin is normally high but transition to low after program or erase command is written to the command register or random read is started after address loading. It returns to high when the internal controller has finished the operation. The pin is an open-drain driver thereby allowing two or more $\overline{\text{R/B}}$ outputs to be Or-tied. Because pull-up resistor value is related to t_r ($\overline{\text{R/B}}$) and current drain during busy (i_{busy}), an appropriate value can be obtained with the following reference chart. Its value can be determined by the following guidance.

Ready/ $\overline{\text{Busy}}$ Pin Electrical Specifications

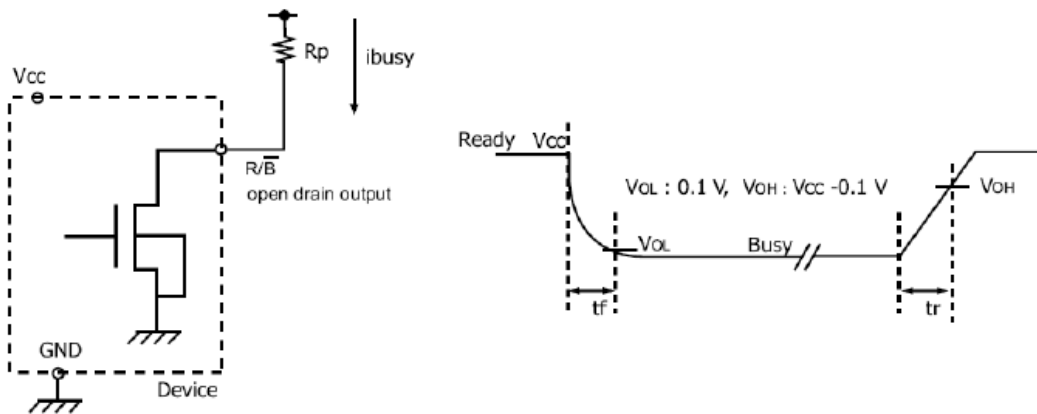
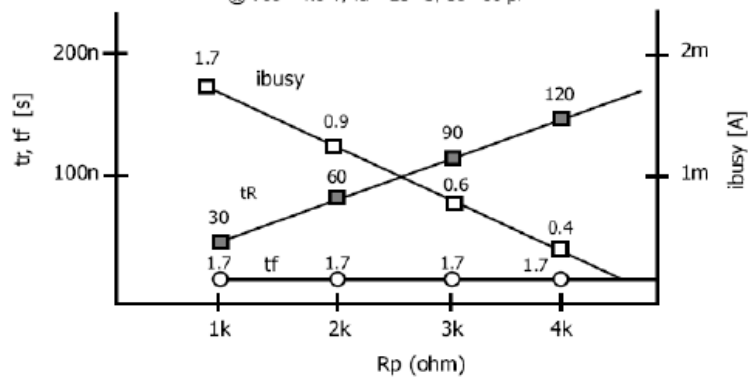


Fig. Rp vs tr, tf & Rp vs i_{busy}

@ $V_{\text{cc}} = 1.8 \text{ V}$, $T_a = 25 \text{ }^\circ\text{C}$, $C_L = 30 \text{ pF}$



Rp value guidance

$$R_p(\text{min}) = \frac{V_{\text{cc}}(\text{Max.}) - V_{\text{ol}}(\text{Max.})}{I_{\text{OL}} + \sum I_L} = \frac{1.85 \text{ V}}{3 \text{ mA} + \sum I_L}$$

where I_L is the sum of the input currents of all devices tied to the $\overline{\text{R/B}}$ pin. $R_p(\text{max})$ is determined by maximum permissible limit of t_r

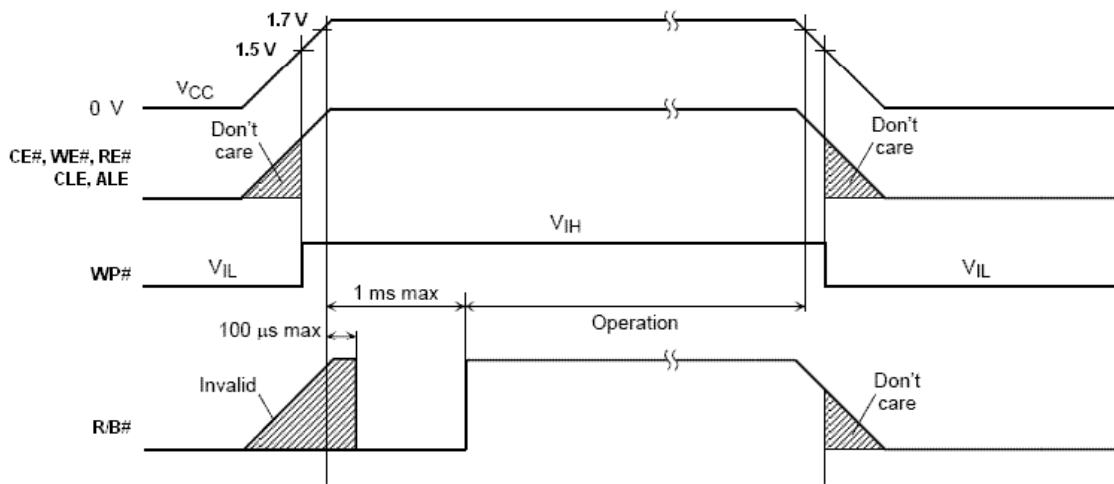
Data Protection & Power Up Sequence

The timing sequence shown in the figure below is necessary for the power-on/off sequence.

The device internal initialization starts after the power supply reaches an appropriate level in the power on sequence. During the initialization the device R/B# signal indicates the Busy state as shown in the figure below. In this time period, the acceptable commands are 70h.

The \overline{WP} signal is useful for protecting against data corruption at power on/off.

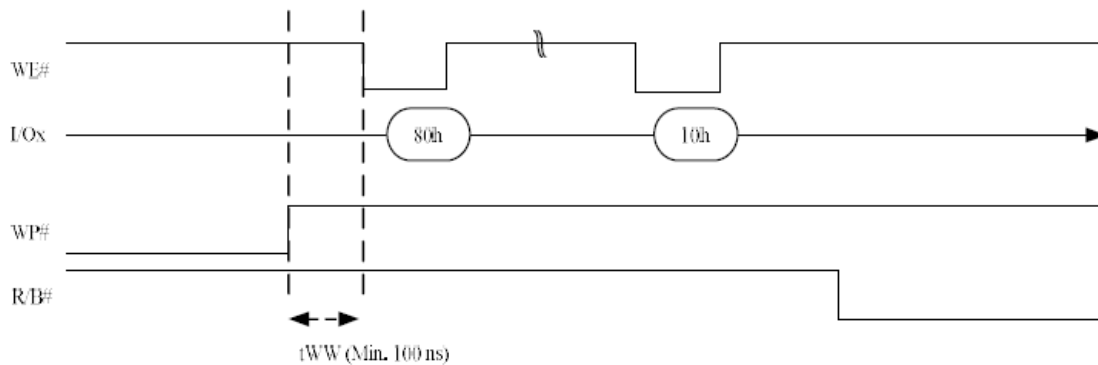
AC Waveforms for Power Transition



Write Protect Operation

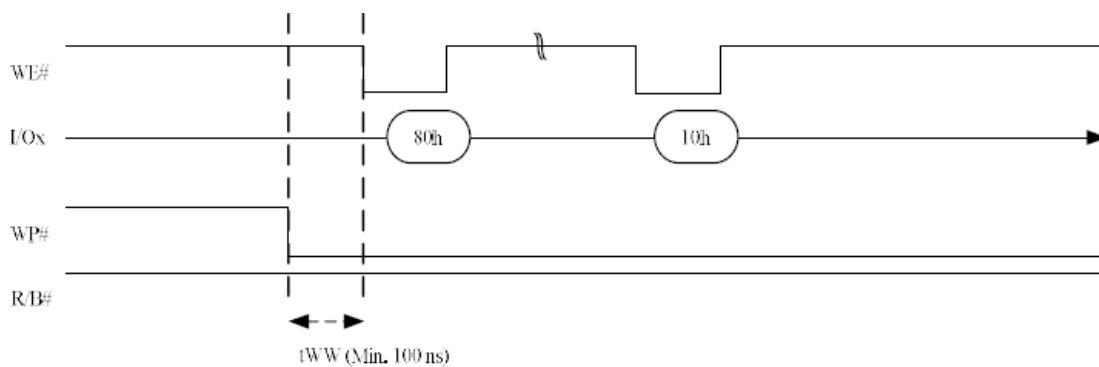
Enabling \overline{WP} during erase and program busy is prohibited. The erase and program operations are enabled and disabled as follows:

Enable Programming

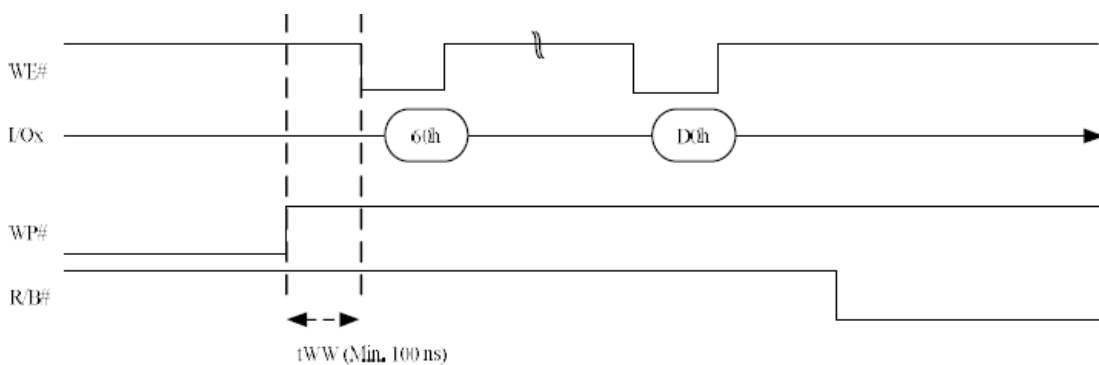


NOTE: \overline{WP} keeps "High" until programming finish.

Disable Programming

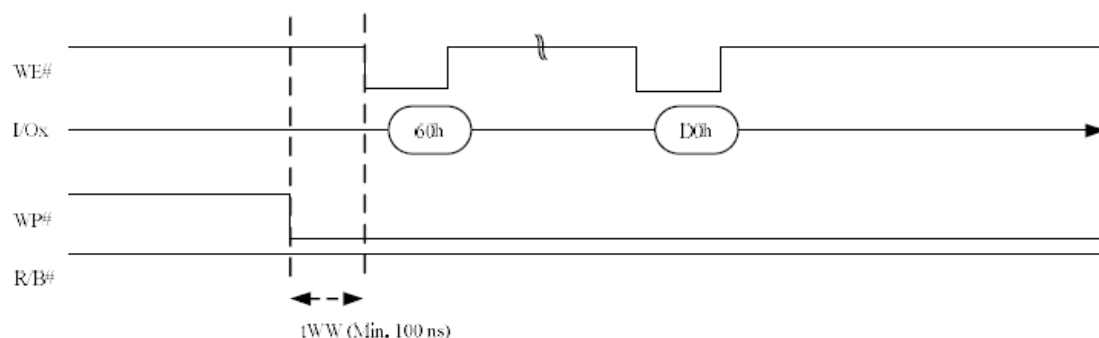


Enable Erasing



NOTE: \overline{WP} keeps "High" until erasing finish.

Disable Erasing



One-Time Programmable (OTP) Operations

This flash device offers one-time programmable memory area. Thirty full pages of OTP data are available on the device, and the entire range is guaranteed to be good. The OTP area is accessible only through the OTP commands.

The OTP area leaves the factory in an unwritten state. The OTP area cannot be erased, whether it is protected or not. Protecting the OTP area prevents further programming of that area.

The OTP area is only accessible while in OTP operation mode. To set the device to OTP operation mode, issue the Set Feature (EFh-90h-01h) command. When the device is in OTP operation mode, subsequent Read and/or Page Program are applied to the OTP area. When you want to come back to normal operation, you need to use EFh-90h-00h for OTP mode release. Otherwise, device will stay in OTP mode.

To program an OTP page, issue the Serial Data Input (80h) command followed by 4 address cycles. The first two address cycles are column address that must be set as 00h. For the third cycle, select a page in the range of 01h through 1Eh. The fourth cycle is fixed at 00h. Next, up to 2,112 bytes of data can be loaded into data register. The bytes other than those to be programmed do not need to be loaded. Random Data Input (85h) command in this device is prohibited. The Page Program confirm (10h) command initiates the programming process. The internal control logic automatically executes the programming algorithm, timing and verification. Please note that no partial-page program is allowed in the OTP area. In addition, the OTP pages must be programmed in the ascending order. A programmed OTP page will be automatically protected.

Similarly, to read data from an OTP page, set the device to OTP operation mode and then issue the Read (00h-30h) command. The device may output random data (not in sequential order) in a page by writing Random Data Output (05h-E0h) command, which can be operated multiple times in a page. The column address for the next data to be output may be changed to the address follows the Random Data Output command.

All pages in the OTP area will be protected simultaneously by issuing the Set Feature (EFh-90h-03h) command to set the device to OTP protection mode. After the OTP area is protected, no page in the area is programmable and the whole area cannot be unprotected.

The Read Status (70h) command is the only valid command for reading status in OTP operation mode.

OTP Modes and Commands

		Set feature	Command
OTP Operation mode	Read	EFh-90h ¹ -01h ²	00h-30h
	Page Program	EFh-90h-01h	80h-10h
OTP Protection mode	Program Protect	EFh-90h-03h	80h-10h
OTP Release mode	Leave OTP mode	EFh-90h-00h	

NOTE:

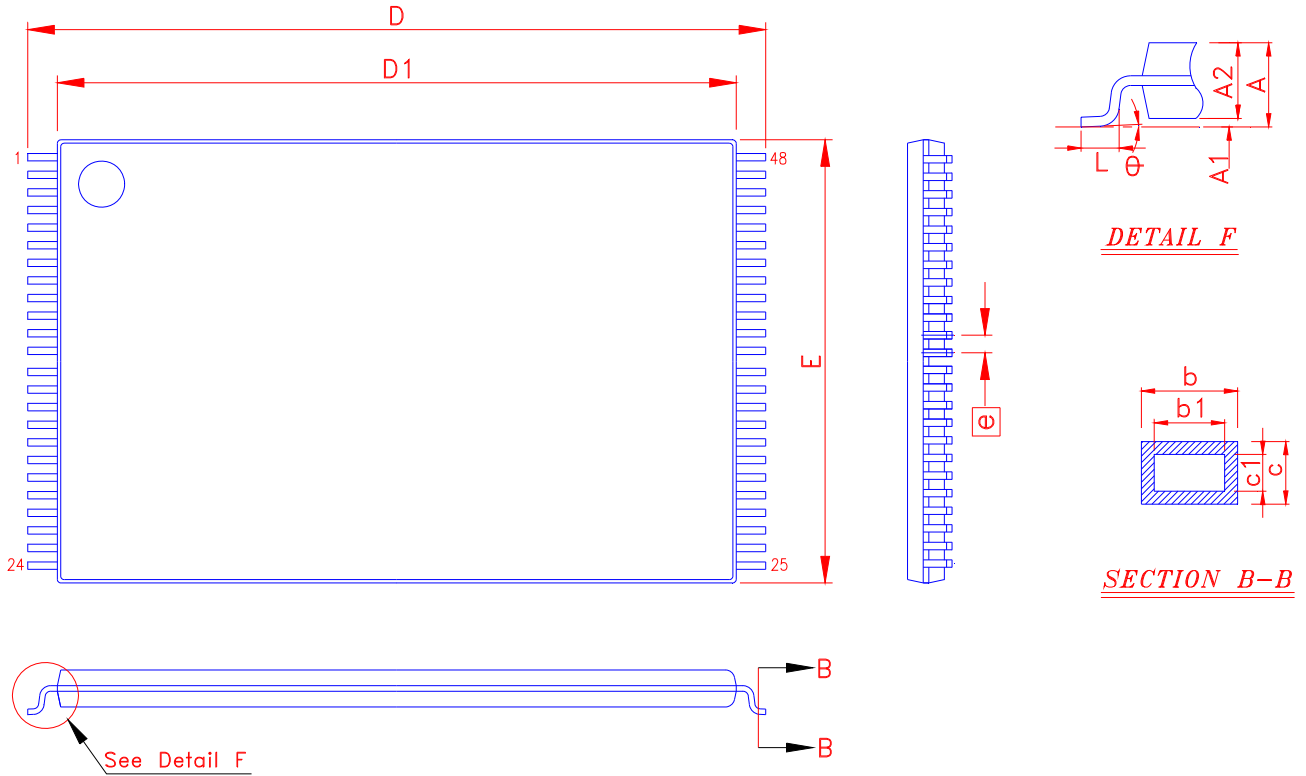
- 90h is OTP status register address.
- 00h, 01h and 03h are OTP status register data values.

OTP Area Details

Description	Value
Number of OTP pages	30
OTP page address	01h – 1Eh
Number of partial page programs for each page in the OTP area	1

PACKING DIMENSION

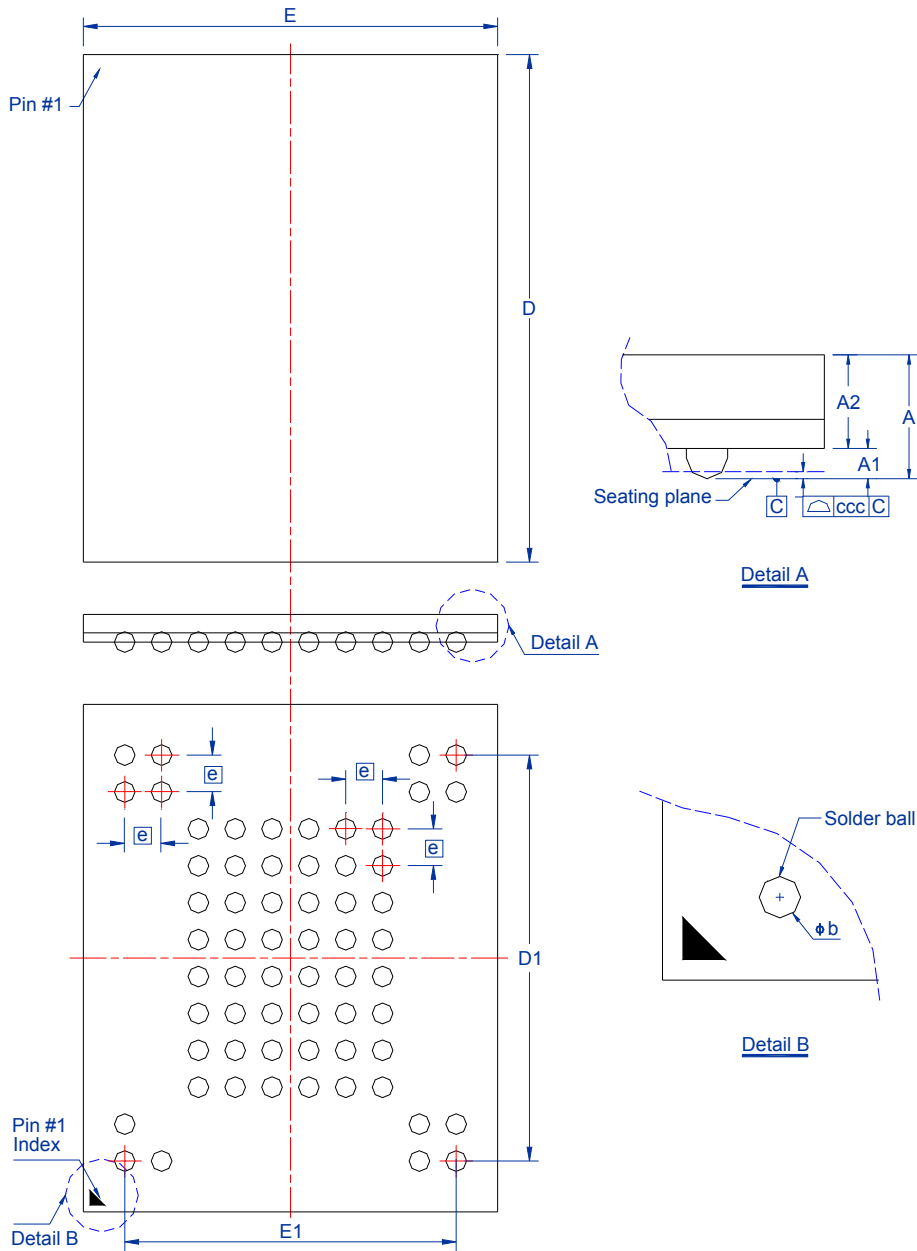
48-LEAD TSOP(I) (12x20 mm)



Symbol	Dimension in mm			Dimension in inch			Symbol	Dimension in mm			Dimension in inch		
	Min	Norm	Max	Min	Norm	Max		Min	Norm	Max	Min	Norm	Max
A	-----	-----	1.20	-----	-----	0.047	D	20.00	BSC		0.787	BSC	
A 1	0.05	-----	0.15	0.006	-----	0.002	D 1	18.40	BSC		0.724	BSC	
A 2	0.95	1.00	1.05	0.037	0.039	0.041	E	12.00	BSC		0.472	BSC	
b	0.17	0.22	0.27	0.007	0.009	0.011	e	0.50	BSC		0.020	BSC	
b1	0.17	0.20	0.23	0.007	0.008	0.009	L	0.50	0.60	0.70	0.020	0.024	0.028
c	0.10	-----	0.21	0.004	-----	0.008	theta	0°	-----	8°	0°	-----	8°
c1	0.10	-----	0.16	0.004	-----	0.006							

PACKING DIMENSIONS

63-BALL 1G NAND Flash (9x11 mm)



Symbol	Dimension in mm			Dimension in inch		
	Min	Norm	Max	Min	Norm	Max
A			1.00			0.039
A ₁	0.25		0.35	0.010		0.014
A ₂	0.60 BSC			0.024 BSC		
Φb	0.40		0.50	0.016		0.020
D	10.90	11.00	11.10	0.429	0.433	0.437
E	8.90	9.00	9.10	0.350	0.354	0.358
D ₁	8.80 BSC			0.346 BSC		
E ₁	7.20 BSC			0.283 BSC		
e	0.8 BSC			0.031 BSC		
ccc			0.10			0.004

Controlling dimension : Millimeter.

Revision History

Revision	Date	Description
0.1	2011.09.09	Original
0.2	2011.12.05	1. Add more description 2. Correct OTP page address
1.0	2012.03.19	1. Delete "Preliminary" 2. Add BGA package 3. Update the value of TBD 4. Correct typo
1.1	2012.11.30	Add F59D1G161A product
1.2	2012.12.12	Correct H3 ball of BGA ball configuration (x16)
1.3	2013.05.02	1. Correct the description of Page Program 2. Add "No Bad-Block-Erasing-Protect function"
1.4	2013.07.19	Modify the description of read status and OTP operations
1.5	2014.05.21	Modify the description of Identifying Initial Invalid Block(s) and Block Replacement Management

Important Notice

All rights reserved.

No part of this document may be reproduced or duplicated in any form or by any means without the prior permission of ESMT.

The contents contained in this document are believed to be accurate at the time of publication. ESMT assumes no responsibility for any error in this document, and reserves the right to change the products or specification in this document without notice.

The information contained herein is presented only as a guide or examples for the application of our products. No responsibility is assumed by ESMT for any infringement of patents, copyrights, or other intellectual property rights of third parties which may result from its use. No license, either express, implied or otherwise, is granted under any patents, copyrights or other intellectual property rights of ESMT or others.

Any semiconductor devices may have inherently a certain rate of failure. To minimize risks associated with customer's application, adequate design and operating safeguards against injury, damage, or loss from such failure, should be provided by the customer when making application designs.

ESMT's products are not authorized for use in critical applications such as, but not limited to, life support devices or system, where failure or abnormal operation may directly affect human lives or cause physical injury or property damage. If products described here are to be used for such kinds of application, purchaser must do its own quality assurance testing appropriate to such applications.