

F71858

Hardware KBC with ACPI, Temp. and Fan Control

Release Date: July, 2007
Version: V0.26P

F71858 Datasheet Revision History

Version	Date	Page	Revision History
0.1P	2005/08/12	-	Preliminary Version
0.11P	2005/09/05	5	Updated Hardware Monitor Functions of Feature List
0.12P	2005/09/12	-	Updated Pin Type Description.
		-	Added Application Circuit.
0.13P	2005/11/02	-	Added Function/Register Description
0.14P	2005/11/20	-	Register Modify
0.15P	2005/11/30	-	Register Modify
0.16P	2006/01/05	-	Register modify and pin17/pin10 modify
0.17P	2006/01/13	-	Updated application circuit and register description for LAA version chip.
0.18P	2006/02/15	-	Modified typo.
			Modified Fan1~Fan3 Duty Change Rate Select Register (CR9Bh)
0.19P	2006/03/15	-	Removed HW Monitor Register Index 70h (HW_IRQ Enable Register)
		-	Added Electrical Characteristics Description.
		-	Updated Register description.
0.20P	2006/04/13	55	Added Fan4 D0h-D1h registers description.
0.21P	2006/05/03	35	Modified ACPI Control Register Index F5h bit 7
		32	Modified Select KB/MO Wakeup Register 27h bit 7
0.22P	2006/06/15	-	Modified name of VT1/VT2/VT3 which change to T1/T2/T0. T0 means local temperature.
0.23P	2006/09/06	-	This version datasheet is for LAC version chip use.
		-	Added Fan control machine by internal clock when system boot up.
			Modified typo.
0.24P	2006/11/10	-	This version datasheet is for LAD version chip use.
0.25P	2006/12/19	-	Modified typo.
		-	Updated Application Circuit.
0.26P	2007/7/6	-	Company readdress

Please note that all data and specifications are subject to change without notice. All the trade marks of products and companies mentioned in this data sheet belong to their respective owners.

LIFE SUPPORT APPLICATIONS

These products are not designed for use in life support appliances, devices, or systems where malfunction of these products can reasonably be expected to result in personal injury. Customers using or selling these products for use in such applications do so at their own risk and agree to fully indemnify Fintek for any damages resulting from such improper use or sales.

Table of Content

1.	General Description	6
2.	Feature List.....	6
3.	Key Specification	7
4.	Pin Configuration	8
5.	Pin Description	9
5.1	Power Pin.....	9
5.2	LPC Interface	9
5.3	Keyboard Controller	10
5.4	ACPI.....	10
5.5	H/W Monitor	10
6.	Function Description	12
6.1	Keyboard Controller.....	12
6.2	ACPI function	14
6.3	Hardware monitor.....	18
6.4	LED function	28
6.5	AMDSI and Intel SST PECI Function.....	29
7.	Register Description	30
7.1	Global Control Registers.....	30
7.2	KBC Registers.....	32
7.3	ACPI and PME Registers.....	33
7.4	Hardware Monitor Registers (Index port: 0x295; Data port: 0x296).....	36
7.4.1	Logic Device Number Register	36
7.4.2	Hardware Monitor Configuration Registers.....	36
7.4.3	Hardware Monitor Device Registers	36
7.4.3.1	Configuration Register — Index 01h.....	36
7.4.3.2	Configuration Register — Index 02h.....	36
7.4.3.3	PECI SST AMDSI Interface Configuration Register — Index 0Ah	37
7.4.3.4	AMDSI Version Register — Index 0Bh (MEAS_TYPE ==2'b10).....	37
7.4.3.5	Dual Single Core select Register — Index 0Bh (MEAS_TYPE ==2'b01).....	37
7.4.3.6	TCC Activation Temperature Register — Index 0Ch (MEAS_TYPE == 2'b01).....	37
7.4.3.7	AMDSI Node ID Register — Index 0Ch (MEAS_TYPE ==2'b10).....	37
7.4.3.8	SST Address Register — Index 0Dh.....	38
7.4.3.9	CPU Temp. Measure Select Register — Index 0Eh.....	38
7.4.3.10	Voltage reading and limit— Index 20h- 22h	38

F71858

7.4.3.11	Temperature PME# Enable Register — Index 60h	38
7.4.3.12	Temperature Interrupt Status Register — Index 61h.....	39
7.4.3.13	Temperature Real Time Status Register — Index 62h.....	39
7.4.3.14	ALERT# Output Enable Register 1 — Index 66h.....	40
7.4.3.15	Temperature PME# mode and Table Select Register -- Index 69h	40
7.4.3.16	LOCAL and TEMP1 Limit Hysteresis Select Register -- Index 6Ch	41
7.4.3.17	TEMP2 and TEMP3 Limit Hysteresis Select Register -- Index 6Dh.....	41
7.4.3.18	DIODE OPEN Status Register -- Index 6Fh.....	41
7.4.3.19	Temperature Register — Index 70h- 8Fh.....	41
7.4.3.20	Temperature Filter Select Register -- Index 8Eh	42
7.4.3.21	FAN PME# Enable Register — Index 90h	43
7.4.3.22	FAN Interrupt Status Register — Index 91h.....	43
7.4.3.23	FAN Real Time Status Register — Index 92h.....	43
7.4.3.24	FAN FAULT# Enable Register — Index 93h	43
7.4.3.25	Fan Type Select Register -- Index 94h.....	44
7.4.3.26	Fan mode Select Register -- Index 96h	44
7.4.3.27	Auto Fan1 and Fan2 Boundary Hystersis Select Register -- Index 98h.....	45
7.4.3.28	Auto Fan3 Boundary Hystersis Select Register -- Index 99h.....	45
7.4.3.29	Fan1~Fan3 Duty Change Rate Select Register -- Index 9Bh	45
7.4.3.30	FAN1 and FAN2 START UP DUTY-CYCLE/VOLTAGE — Index 9Ch.....	46
7.4.3.31	FAN3 START UP DUTY-CYCLE/VOLTAGE — Index 9Dh.....	46
7.4.3.32	Fan Fault Time Register -- Index 9Fh	46
7.4.3.33	T1 BOUNDARY 1 TEMPERATURE – Index A6h.....	47
7.4.3.34	T1 BOUNDARY 2 TEMPERATURE – Index A7h.....	47
7.4.3.35	T1 BOUNDARY 3 TEMPERATURE – Index A8h.....	47
7.4.3.36	T1 BOUNDARY 4 TEMPERATURE – Index A9h.....	47
7.4.3.37	FAN1 SEGMENT 1 SPEED COUNT – Index AAh.....	47
7.4.3.38	FAN1 SEGMENT 2 SPEED COUNT – Index ABh.....	48
7.4.3.39	FAN1 SEGMENT 3 SPEED COUNT – Index ACh.....	48
7.4.3.40	FAN1 SEGMENT 4 SPEED COUNT – Index ADh.....	48
7.4.3.41	FAN1 SEGMENT 5 SPEED COUNT – Index AEh.....	48
7.4.3.42	FAN1 Temperature Mapping Select – Index AFh.....	48
7.4.3.43	T2 BOUNDARY 1 TEMPERATURE – Index B6h.....	49
7.4.3.44	T2 BOUNDARY 2 TEMPERATURE – Index B7h.....	50
7.4.3.45	T2 BOUNDARY 3 TEMPERATURE – Index B8h.....	50
7.4.3.46	T2 BOUNDARY 4 TEMPERATURE – Index B9h.....	50
7.4.3.47	FAN2 SEGMENT 1 SPEED COUNT – Index BAh	50

F71858

7.4.3.48	FAN2 SEGMENT 2 SPEED COUNT – Index BBh	50
7.4.3.49	FAN2 SEGMENT 3 SPEED COUNT – Index BCh	51
7.4.3.50	FAN2 SEGMENT 4 SPEED COUNT – Index BDh	51
7.4.3.51	FAN2 SEGMENT 5 SPEED COUNT – Index BEh.....	51
7.4.3.52	FAN2 Temperature Mapping Select – Index BFh	51
7.4.3.53	T0 BOUNDARY 1 TEMPERATURE – Index C6h	52
7.4.3.54	T0 BOUNDARY 2 TEMPERATURE – Index C7h	52
7.4.3.55	T0 BOUNDARY 3 TEMPERATURE – Index C8h	52
7.4.3.56	T0 BOUNDARY 4 TEMPERATURE – Index C9h	53
7.4.3.57	FAN3 SEGMENT 1 SPEED COUNT – Index CAh	53
7.4.3.58	FAN3 SEGMENT 2 SPEED COUNT – Index CBh	53
7.4.3.59	FAN3 SEGMENT 3 SPEED COUNT – Index CCh	53
7.4.3.60	FAN3 SEGMENT 4 SPEED COUNT – Index CDh	53
7.4.3.61	FAN3 SEGMENT 5 SPEED COUNT – Index CEh	54
7.4.3.62	FAN3 Temperature Mapping Select – Index CFh	54
8.	PCB Layout Guide.....	54
9.	Electrical Characteristics	56
9.1	Absolute Maximum Ratings	56
9.2	DC Characteristics	57
9.3	DC Characteristics Continued.....	57
9.4	AC Characteristics	58
10.	Ordering Information.....	62
11.	Package Dimensions (48LQFP)	62
12.	Application Circuit.....	63

1. General Description

The F71858 is hardware KBC integrating the ACPI, temperature sensing and fan control functions specific for the legacy free MB application. The KBC functions include one keyboard and one PS/2 mouse, and can be used with IBM®-compatible personal computers or PS/2-based systems. The controller receives serial data from the keyboard or PS/2 mouse, checks the parity of the data, and presents the data to the system as a byte of data in its output buffer. The controller will assert an interrupt to the system when data are placed in its output buffer.

The F71858 provides the ACPI control signals as well such as S3 state, resume reset, PCI reset outputs or power OK signals. The power LED is programmable and compliant with PC2001.

As to the environment sensing functions, F71858 provides 2 remote analog dual current temp. sensing inputs and one internal local temperature sensing. One alert signal will be issued while the temperature is over the programmable limit. 4 fan monitoring inputs and 3 fan controlling outputs provide Fintek's patented auto-fan controlling features. Others, the F71858 supports AMDSI and Intel PECI/SST interfaces for temperature use. for next generation CPU temp. sensing technology.

F71858 is in LPC interface and powered by 3VCC, 3V standby, and battery. The package is in 48 pin LQFP Green Package.

2. Feature List

● General Functions

- Comply with LPC Spec. 1.0
- Hardware Keyboard Controller support one PS/2 keyboard and one PS/2 mouse
- Fast Gate A20 and Hardware Keyboard Reset
- Support DPM (Device Power Management), ACPI

● KBC

- LPC interface support serial interrupt channel 1, 12.
- Two 16bit Programmable Address fully decoder, default 0x60 and 0x64.
- Support two PS/2 interface, one for PS/2 mouse and the other for keyboard.
- Keyboard's scan code support set1, set2.
- Programmable compatibility with the 8042.
- Support both interrupt and polling modes.
- Fast Gate A20 and Hardware Keyboard Reset.

- **ACPI Functions**

- 1 reset input and 5 PCI reset output pins
- 2 programmable power LED
- S3Gate control
- Resume reset
- Power ok signal

- **Hardware Monitor Functions**

- 2 current type accurate (3) thermal inputs for CPU thermal diode/2N3906 transistors
- One internal local thermal sensor
- One alert pin (Pin HW_IRQ#)(default limit 100°C for CPU temp.)
- Temperature sensing range from -40 ~127
- 4 fan speed monitoring inputs
- 3 fan speed auto-control (support 3 wire and 4 wire fans)
- Support PWM and DAC mode control
- Default PWM duty is 40% when system boot up promptly
- Provide Intel PECI/SST interface for temperature sensing
- Provide AMDSI interface for temperature sensing
- Support 3 channels voltage monitor (VCC3V + VSB3V + VBAT)
- Voltage monitor resolution is 8mV per LSB

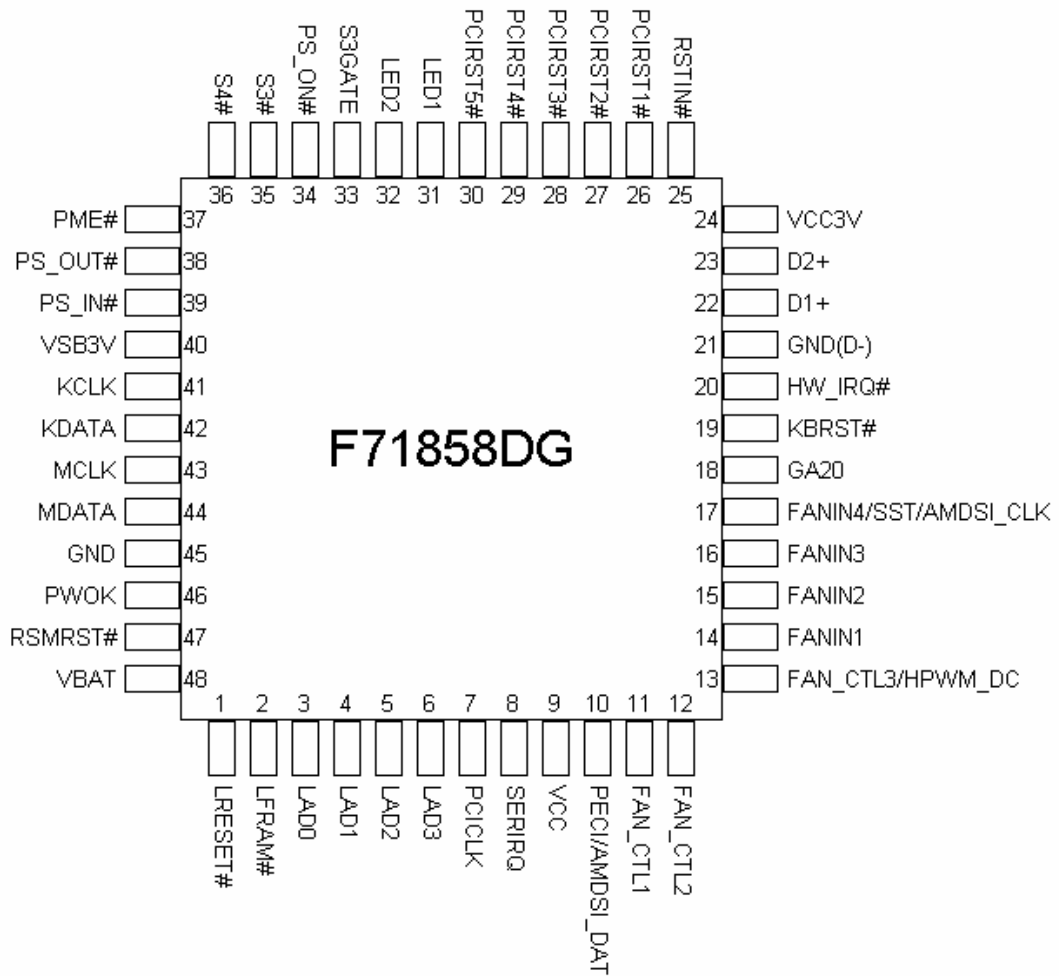
- **Package**

- 48-pin LQFP

3. Key Specification

- Supply Voltage 3.0V to 3.6V
- Operating Supply Current 5 mA typ.

4. Pin Configuration



5. Pin Description

- I/O_{12t} - TTL level bi-directional pin with 12 mA source-sink cap ability.
- I/OOD_{12t} - TTL level bi-directional pin, can select to OD or OUT by register, with 12 mA source-sink capability.
- I/OD_{16t5v} - TTL level bi-directional pin, Open-drain output with 16 mA source-sink capability, 5V tolerance.
- OD_{16-u10-5v} - Open-drain output pin with 16 mA sink capability, pull-up 10k ohms, 5V tolerance.
- I/OD_{12ts5v} - TTL level bi-directional pin and schmitt trigger, Open-drain output with 12 mA sink capability, 5V tolerance.
- O_{8-u47-5v} - Open-drain pin with 8 mA source-sink capability, pull-up 47k ohms, 5V tolerance.
- O₈ - Output pin with 8 mA source-sink capability.
- O₁₆ - Output pin with 16 mA source-sink capability.
- O₃₀ - Output pin with 30 mA source-sink capability.
- AOUT - Output pin(Analog).
- OD₁₂ - Open-drain output pin with 12 mA sink capability.
- OD_{12-5v} - Open-drain output pin with 12 mA sink capability, 5V tolerance.
- OD₂₄ - Open-drain output pin with 24 mA sink capability.
- IN_{ts5v} - TTL level input pin, 5V tolerance.
- IN_{ts} - TTL level input pin and schmitt trigger.
- IN_{ts5v} - TTL level input pin and schmitt trigger, 5V tolerance.
- AIN - Input pin(Analog).
- P - Power.

5.1 Power Pin

Pin No.	Pin Name	Type	Description
9	VCC	P	3V power
24	VCC3V	P	3V power for analog (Provide voltage monitor)
40	VSB3V	P	3V stand by power (Provide voltage monitor)
48	VBAT	P	Battery power (Provide voltage monitor)
45	GND	P	Ground
21	GND(D-)	P	Ground for temperature sensing use.

5.2 LPC Interface

Pin No.	Pin Name	Type	PWR	Description
1	LRESET#	IN _{ts5v}	VCC	Reset signal. It can connect to PCIRST# signal on the host.
8	SERIRQ	I/O _{12t}	VCC	Serial IRQ input/Output.
2	LFRAM#	IN _{ts}	VCC	Indicates start of a new cycle or termination of a broken cycle.
3,4,5,6	LAD[3:0]	I/O _{12t}	VCC	These signal lines communicate address, control, and data information over the LPC bus between a host and a peripheral.
7	PCICLK	IN _t	VCC	33MHz PCI clock input.

5.3 Keyboard Controller

Pin No.	Pin Name	Type	PWR	Description
19	KBRST#	OD _{12-u10}	VCC	Keyboard reset. This pin is high after system reset. Internal pull high 3.3V with 10k ohms. (KBC P20)
18	GA20	OD _{12-u10}	VCC	Gate A20 output. This pin is high after system reset. Internal pull high 3.3V with 10k ohms. (KBC P21)
42	KDATA	I/OD _{16ts,5V}	VSB	Keyboard Data.
41	KCLK	I/OD _{16ts,5V}	VSB	Keyboard Clock.
44	MDATA	I/OD _{16ts,5V}	VSB	PS2 Mouse Data.
43	MCLK	I/OD _{16ts,5V}	VSB	PS2 Mouse Clock.

5.4 ACPI

Pin No.	Pin Name	Type	PWR	Description
31	LED1	OD _{16,5V}	VSB	Power LED for VSB.
32	LED2	OD _{16,5V}	VSB	Power LED for VSB.
25	RSTIN#	IN _{ts5v}	VSB	Reset buffer input signal.
26,30	PCIRST1# PCIRST5#	OD _{16,5V}	VSB	Output buffer of RSTIN# and LRESET# for IDE reset.
27,28,29	PCIRST[2:4]#	O ₁₆	VSB	Output buffer of RSTIN# and LRESET#.
46	PWROK	IOD _{12,5V}	VBAT	PWROK function, It is power good signal of VCC, which is delayed 400ms (default and programmable) as VCC arrives at 2.8V.
39	PS_IN#	IN _{ts5v}	VSB	Main power switch button input.
38	PS_OUT#	OD ₁₂	VSB	Panel Switch Output. This pin is low active and pulse output. It is power on request output#.
35	S3#	IN _{ts}	VSB	S3# Input is Main power on-off switch input.
36	S4#	IN _{ts}	VSB	S4# Input is for S3/S4 (S5) state switch input.
33	S3GATE	OD _{12-5v}	VSB	Control dual voltage signal.
34	PS_ON#	OD _{12-5v}	VSB	Power supply on-off control output. Connect to ATX power supply PS_ON# signal.
47	RSMRST#	OD ₁₂	VBAT	Resume Reset# function, It is power good signal of VSB, which is delayed 66ms as VSB arrives at 2.3V.

5.5 H/W Monitor

Pin No.	Pin Name	Type	PWR	Description
14	FANIN1	IN _{ts5v}	VCC	Fan 1 tachometer input.
11	FAN_CTL1	OD _{12-5v} AOUT	VCC	Fan 1 control output. This pin provides PWM duty-cycle output or a voltage output. Default PWM duty is 40%.
15	FANIN2	IN _{ts54v}	VCC	Fan 2 tachometer input.
12	FAN_CTL2	OD _{12-5v} AOUT	VCC	Fan 2 control output. This pin provides PWM duty-cycle output or a voltage output. Default PWM duty is 40%.
16	FANIN3	IN _{ts5v}	VCC	Fan 3 speed input. Default PWM duty is 40%.

F71858

13	FAN_CTL3/	OD _{12-5V} AOUT	VCC	Fan 3 control output and 3pin fan is recommended to be controlled by this pin but not 4pin fan. This pin provides PWM duty-cycle output or a voltage output.
	HPWM_DC			Power on strapping : Pull high: Fan control method will be PWM Mode NC: Fan control method will be DAC Mode
17	FANIN4	IN _{ts5V}	VCC	Fan 4 speed input.
	SST	I _{Lv} /O _{D8-S1}		Intel SST hardware monitor interface.
	AMDSI_CLK	OD ₁₂		Clock output for AMD SI interface.
23	D2+	AOUT AIN	VCC	Thermal diode/transistor temperature sensor input.
22	D1+(CPU)	AOUT AIN	VCC	Thermal diode/transistor temperature sensor input.
10	PECI	I _{Lv} /O _{D8-S1}	VCC	Intel PECI hardware monitor interface.
	AMDSI_DAT	I _{Lv} /OD ₁₂		AMD SI data interface.
20	HW_IRQ#	OD _{12-5V}	VCC	Active LOW output. This pin will be logic low when the temperature exceeds its limit or fan fault event.
37	PME#	OD ₁₂	VSB	Generated PME event. It supports the PCI PME# interface. This signal allows the peripheral to request the system to wake up from the S3 state.

6. Function Description

6.1 Keyboard Controller

The KBC circuit provides the functions included a keyboard and/or a PS/2 mouse, and can be used with IBM®-compatible personal computers or PS/2-based systems. The controller receives serial data from the keyboard or PS/2 mouse, checks the parity of the data, and presents the data to the system as a byte of data in its output buffer. The controller will assert an interrupt to the system when data are placed in its output buffer.

Output Buffer

The output buffer is an 8-bit read-only register at I/O address 60H. The keyboard controller uses the output buffer to send the scan code received from the keyboard and data bytes required by commands to the system.

Input Buffer

The input buffer is an 8-bit write-only register at I/O address 60H or 64H. Writing to address 60H sets a flag to indicate a data write; writing to address 64H sets a flag to indicate a command write. Data written to I/O address 60H is sent to keyboard through the controller's input buffer only if the input buffer full bit in the status register is "0".

Status Register

The status register is an 8-bit read-only register at I/O address 64H, that holds information about the status of the keyboard controller and interface. It may be read at any time.

BIT	BIT FUNCTION	DESCRIPTION
0	Output Buffer Full	0: Output buffer empty 1: Output buffer full
1	Input Buffer Full	0: Input buffer empty 1: Input buffer full
2	System Flag	This bit may be set to 0 or 1 by writing to the system flag bit in the command byte of the keyboard controller (KCCB). It defaults to 0 after a power-on reset.
3	Command/Data	0: Data byte 1: Command byte

F71858

4	Inhibit Switch	0: Keyboard is inhibited 1: Keyboard is not inhibited
5	Mouse Output Buffer	0: Muse output buffer empty 1: Mouse output buffer full
6	General Purpose Time-out	0: No time-out error 1: Time-out error
7	Parity Error	0: Odd parity 1: Even parity (error)

Commands

COMMAND	FUNCTION																		
20h	Read Command Byte																		
60h	Write Command Byte <table border="1" style="margin-left: 20px;"> <thead> <tr> <th>BIT</th> <th>DESCRIPTION</th> </tr> </thead> <tbody> <tr> <td style="text-align: center;">0</td> <td>Enable Keyboard Interrupt</td> </tr> <tr> <td style="text-align: center;">1</td> <td>Enable Mouse Interrupt</td> </tr> <tr> <td style="text-align: center;">2</td> <td>System flag</td> </tr> <tr> <td style="text-align: center;">3</td> <td>Reserve</td> </tr> <tr> <td style="text-align: center;">4</td> <td>Disable Keyboard Interface</td> </tr> <tr> <td style="text-align: center;">5</td> <td>Disable Mouse interface</td> </tr> <tr> <td style="text-align: center;">6</td> <td>IBM keyboard Translate Mode</td> </tr> <tr> <td style="text-align: center;">7</td> <td>Reserve</td> </tr> </tbody> </table>	BIT	DESCRIPTION	0	Enable Keyboard Interrupt	1	Enable Mouse Interrupt	2	System flag	3	Reserve	4	Disable Keyboard Interface	5	Disable Mouse interface	6	IBM keyboard Translate Mode	7	Reserve
BIT	DESCRIPTION																		
0	Enable Keyboard Interrupt																		
1	Enable Mouse Interrupt																		
2	System flag																		
3	Reserve																		
4	Disable Keyboard Interface																		
5	Disable Mouse interface																		
6	IBM keyboard Translate Mode																		
7	Reserve																		
A7h	Disable Auxiliary Device Interface																		
A8h	Enable Auxiliary Device Interface																		
A9h	Auxiliary Interface Test 8'h00: indicate Auxiliary interface is ok. 8'h01: indicate Auxiliary clock is low. 8'h02: indicate Auxiliary clock is high 8'h03: indicate Auxiliary data is low 8'h04: indicate Auxiliary data is high																		
AAh	Self-test Returns 055h if self test succeeds																		
ABh	keyboard Interface Test 8'h00: indicate keyboard interface is ok. 8'h01: indicate keyboard clock is low. 8'h02: indicate keyboard clock is high 8'h03: indicate keyboard data is low 8'h04: indicate keyboard data is high																		
ADh	Disable Keyboard Interface																		

F71858

A Eh	Enable Keyboard Interface
C0h	Read Input Port(P1) and send data to the system
C1h	Continuously puts the lower four bits of Port1 into STATUS register
C2h	Continuously puts the upper four bits of Port1 into STATUS register
D0h	Send Port2 value to the system
D1h	Only set/reset GateA20 line based on the system data bit 1
D2h	Send data back to the system as if it came from Keyboard
D3h	Send data back to the system as if it came from Muse
D4h	Output next received byte of data from system to Mouse
FEh	Pulse only RC(the reset line) low for 6 μ S if Command byte is even

KBC Command Description

PS2 wakeup function

The KBC supports keyboard and mouse wakeup function, keyboard wakeup function has 4 kinds of conditions, when key is pressed combinational key (1) CTRL +ESC (2) CTRL+F1 (3) CTRL+SPACE (4) ANY KEY (5) windows 98 wakeup up key, KBC will assert PME signal. Mouse wakeup function has 2 kinds of conditions, when mouse (1) BUTTON CLICK or (2) BUTTON CLICK AND MOVEMENT, KBC will assert PME signal. Those wakeup conditions are controlled by configuration register.

6.2 ACPI function

The Advanced Configuration and Power Interface (ACPI) is a system for controlling the use of power in a computer. It lets computer manufacturer and user to determine the computer's power usage dynamically.

There are three ACPI states that are of primary concern to the system designer and they are designated S0, S3 and S5. S0 is a full-power state; the computer is being actively used in this state. The other two are called sleep states and reflect different power consumption when power-down. S3 is a state that the processor is powered down but the last procedural state is being stored in memory which is still active. S5 is a state that memory is off and the last procedural state of the processor has been stored to the hard disk. Take S3 and S5 as comparison, since memory is fast, the computer can quickly come back to full-power state, the disk is slower than the memory and the computer takes longer time to come back to full-power state. However, since the memory is off, S5 draws the minimal power comparing to S0 and S3.

It is anticipated that only the following state transitions may happen:

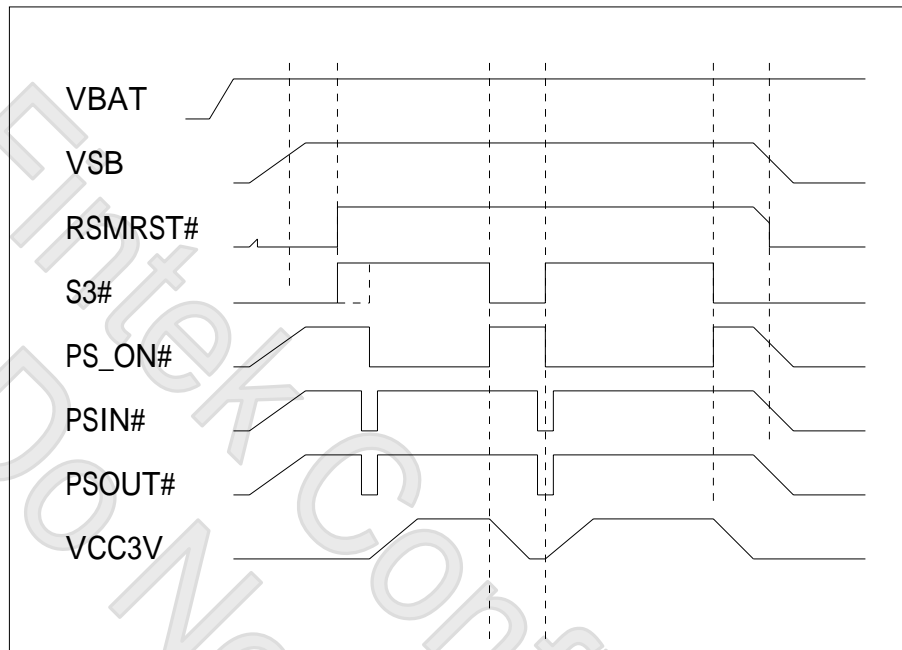
S0→S3, S0→S5, S5→S0, S3→S0 and S3→S5.

Among them, S3→S5 is illegal transition and won't be allowed by state machine. It is

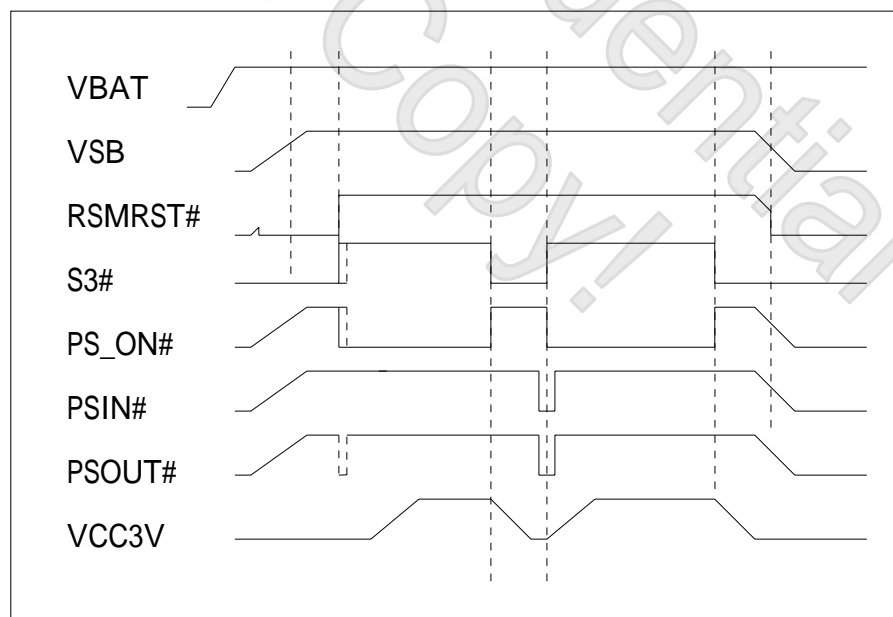
F71858

necessary to enter S0 first in order to get to S5 from S3. As for transition S5→S3 will occur only as an immediate state during state transition from S5→S0. It isn't allowed in the normal state transition.

The below diagram described the timing, the always on and always off, keep last state could be set in control register. In keep last state mode, one register will keep the status of before power loss. If it is power on before power loss, it will remain power on when power is resumed, otherwise, if it is power off before power loss, it will remain power off when power is resumed.



ACPI Default Timing Always Off



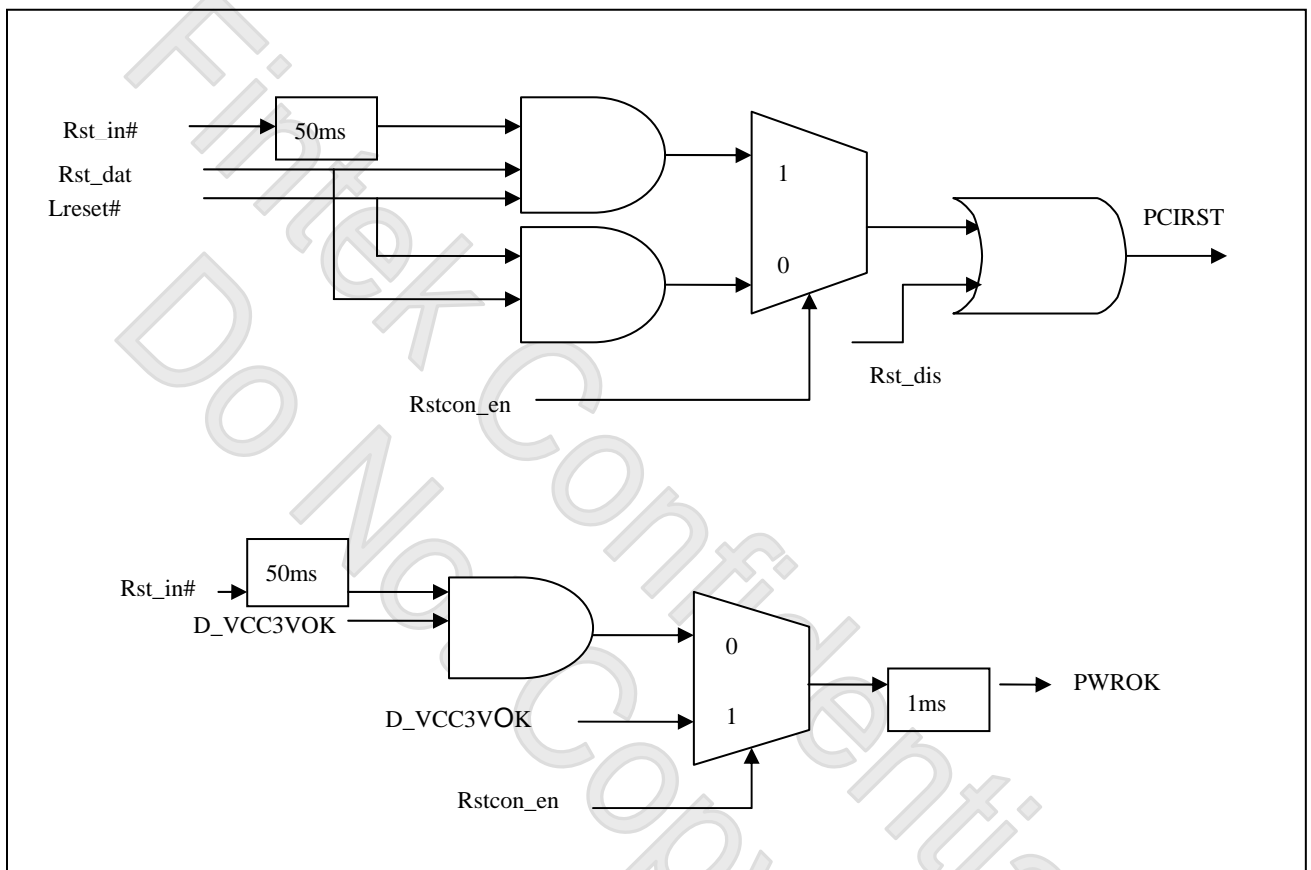
ACPI Default Timing Always On

F71858

PCIRST and PWROK Signals

The F71858 supports 5 output buffers for 5 reset signals. The result of PCIRST[1:5]# outcome will be affected by conditions as below.

The PWROK signal is affected by RST_IN#/LRESET#/DVCC3VOK when rstcon_en set 1, POWEROK signal is affected by DVCC3VOK and when rstcon_en set 0, POWEROK signal is affected by RST_IN#/ LRESET#/DVCC3VOK, reference as below.



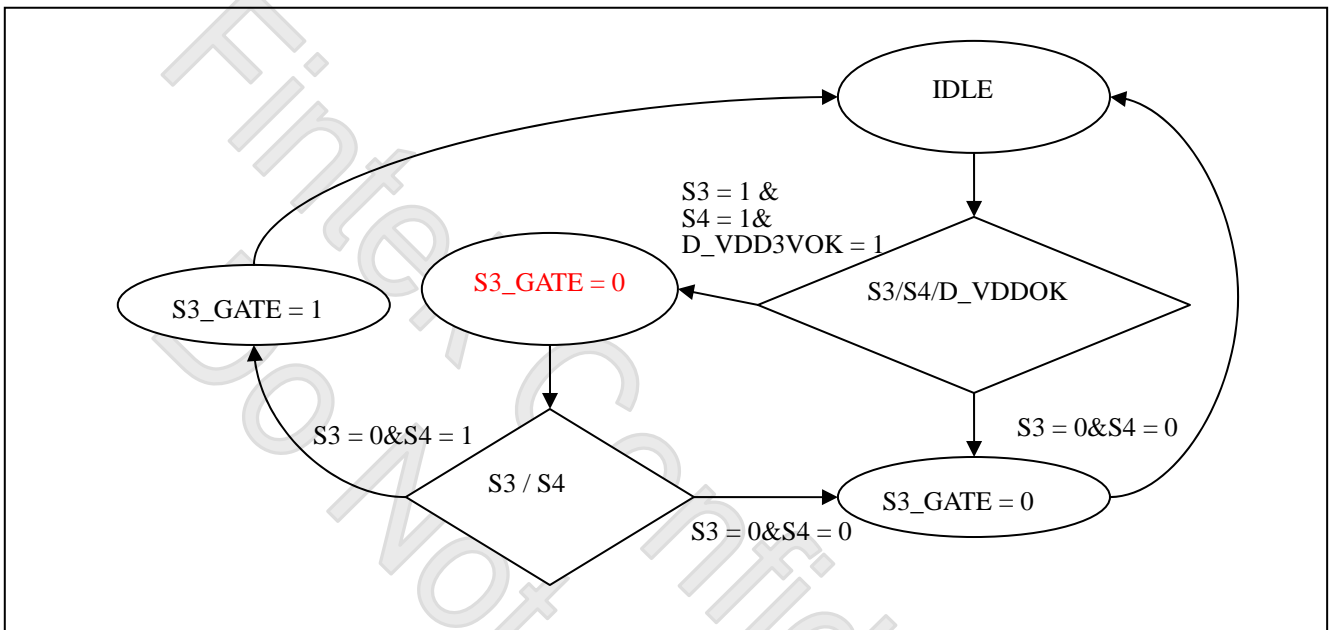
PCIRST# and PWROK

S3 GATE Signals

The S3 GATE signal response S0/S3/S5 state and condition is as below. When system is in S3 state, S3_GATE is asserted logic high; the other state is asserted logic low. It is anticipated that only the following state transitions may happen:

S0→S3, S0→S5, S5→S0, S3→S0 and S3→S5.

Among them, S5→S3 is illegal transition and S3_GATE signal will be keep logic level.



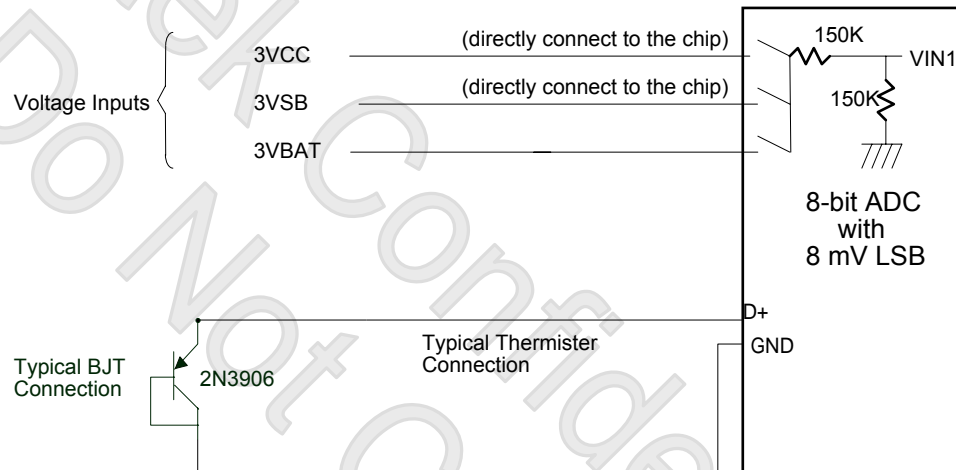
S3_GATE diagram

F71858

6.3 Hardware monitor

For the 8-bit ADC has the 8mv LSB, the maximum input voltage of the analog pin is 2.304V. Therefore the voltage under 2.304V (ex:1.5V) can be directly connected to these analog inputs. The voltage higher than 2.304V should be reduced by a factor with external resistors so as to obtain the input range. VCC, VSB 3.3V and VBAT 3V are the exception for it is main power of the F71858. Therefore these powers can directly connect to this chip's power pin and need no external resistors. There are two functions in these pins with 3.3V/3V. The first function is to supply internal logic power of the F71858 and the second function is that this voltage with 3.3V/3V is connected to internal serial resistors to monitor the VCC VSB 3.3V and VBAT voltage. The internal serial resistors are two 150K ohm, so that the internal reduced voltage is half of 3.3V/3V.

F71858 only support three power voltage monitor but without hardware high low limit protect. So it will not trigger PME event when voltage too high or too low.



The F71858 monitors a local and 2 remote temperature sensor. Both can be measured from -40°C to 145°C and there are four kinds of temperature to display. The temperature format is as the following table:

Table mode 0:

Display range is from 0°C to 127°C . The values in high byte registers are mean the temperature reading value and the unit is 1°C . The value in low bye register bit7~bit5 are temperature reading value and the unit is 0.125°C .

Temperature	Digital Output (High byte)	Digital Output (Low byte)
0.125°C	0000 0000	001X XXXX
1°C	0000 0001	000X XXXX
90°C	0101 1010	000X XXXX

F71858

127.875°C	0111 1111	111X XXXX
open	1011 1011	000X XXXX
short	1100 1100	000X XXXX

Table mode 1:

Display range is from 0°C to 145°C. The values in high byte registers are mean the temperature reading value and the unit is 1°C. The value in low bye register bit7~bit5 are temperature reading value and the unit is 0.125°C.

Temperature	Digital Output (High byte)	Digital Output (Low byte)
0.250°C	0000 0000	010X XXX0
1°C	0000 0001	000X XXX0
100°C	0110 0100	000X XXX0
145.875°C	1001 0001	111X XXX0
open	1011 1011	000X XXXX
short	1100 1100	000X XXXX

Table mode 2: (Default)

Display range is from -40°C to 127°C. The values in high byte registers bit7 is sign bit and the values in high byte registers bit6~bit0 are mean the temperature reading value and the unit is 1°C. The value in low bye register bit7~bit5 are temperature reading value and the unit is 0.125°C.

Temperature	Digital Output (High byte)	Digital Output (Low byte)
-40°C	1101 1000	000X XXXX
-1°C	1111 1111	000X XXXX
0°C	0000 0000	000X XXXX
100°C	0110 0100	000X XXXX
127.875°C	0111 1111	111X XXXX
open	1011 1011	000X XXXX
short	1100 1100	000X XXXX

Table mode 3:

Display range is from -40°C to 145°C. The values in high byte registers bit7~bit0 are mean the temperature reading value and the unit is 1°C. The value in low bye register bit7~bit5 are temperature reading value and the unit is 0.125°C. The sign bit is in low bye register bit0

F71858

Temperature	Digital Output (High byte)	Digital Output (Low byte)
-40°C	1101 1000	000X XXX1
-1°C	1111 1111	111X XXX1
0°C	0000 0000	000X XXX0
1°C	0000 0001	000X XXX0
90°C	0101 1010	000X XXX0
127°C	0111 1111	111X XXX0
145.875°C	1001 0001	111X XXX0
open	1011 1011	000X XXXX
short	1100 1100	000X XXXX

Remote-sensor transistor manufacturers

Manufacturer	Model Number
Panasonic	2SB0709 2N3906
Philips	PMBT3906

Monitor Temperature from “thermal diode”

Also, if the CPU, GPU or external circuits provide thermal diode for temperature measurement, the F71858 is capable to these situations. The build-in reference table is for PNP 2N3906 transistor, and each different kind of thermal diode should be matched with specific margin and BJT gain. The transistor is directly connected into temperature pins.

ADC Noise Filtering

The ADC is integrating type with inherently good noise rejection. Micro-power operation places constraints on high-frequency noise rejection; therefore, careful PCB board layout and suitable external filtering are required for high-accuracy remote measurement in electronically noisy environment. High frequency EMI is best filtered at D+ and D- with an external 2200pF capacitor. Too high capacitance may introduce errors due to the rise time of the switched current source. Nearly all noise sources tested cause the ADC measurement to be higher than the actual temperature, depending on the frequency and amplitude.

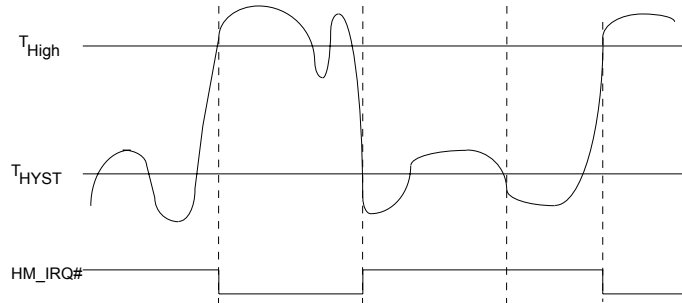
Temperature HM_IRQ Signal (HM_IRQ# and PME#)

There are two mode of temperature HM_IRQ function:

1. Hysteresis mode:

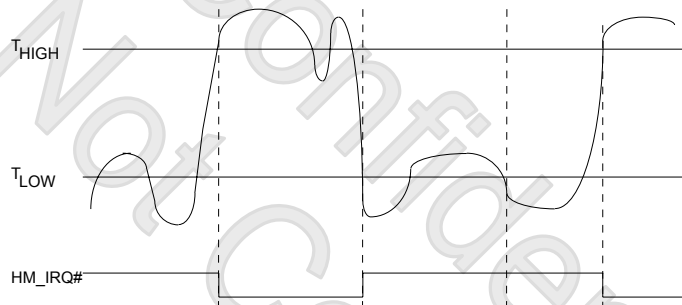
F71858

Over temperature event will trigger HM_IRQ# that shown as figure. In hysteresis mode, when monitored temperature exceeds the high temperature threshold value, HM_IRQ# will be asserted until the temperature goes below the hysteresis temperature.



2. High low limit mode: (default):

When in high low limit mode HM_IRQ# for temperature is shown as figure. When monitored temperature exceeds the over-temperature threshold value, HM_IRQ# will be asserted until the temperature goes below the low limit temperature.

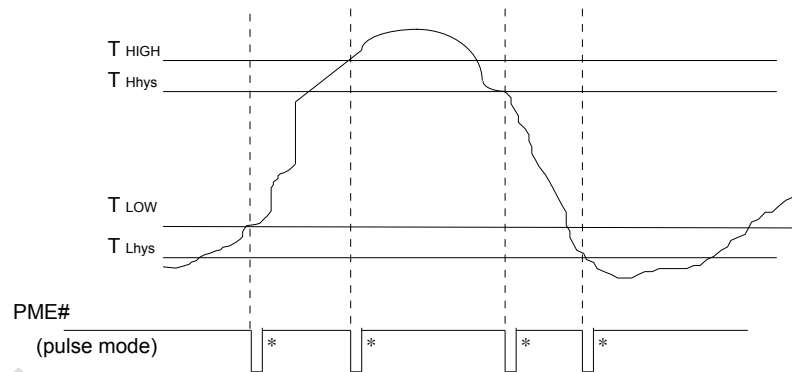


Temperature PME#

There are two mode of temperature PME# function:

1. Hysteresis mode:

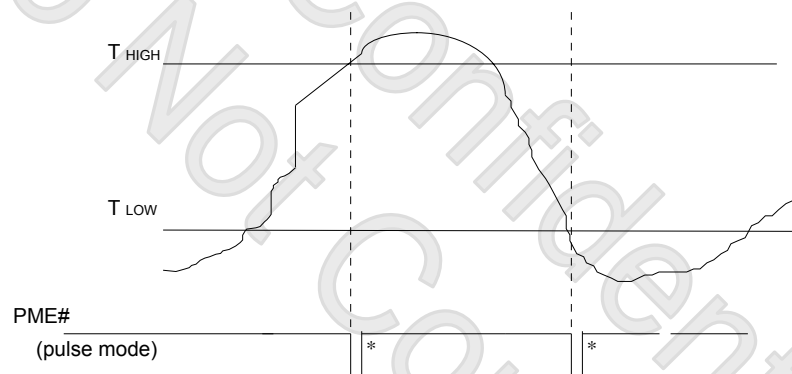
PME# interrupt for temperature is shown as figure. Temperature exceeding high limit (low limit) or going below high hysteresis (low hysteresis) will cause an interrupt if the previous interrupt has been reset by writing "1" all the interrupt Status Register.



*Interrupt Reset when Interrupt Status Registers are written 1

2. High low limit mode: (default):

PME# interrupt for temperature is shown as figure. Temperature exceeding high limit or going below low limit will cause an interrupt if the previous interrupt has been reset by writing "1" all the interrupt Status Register.

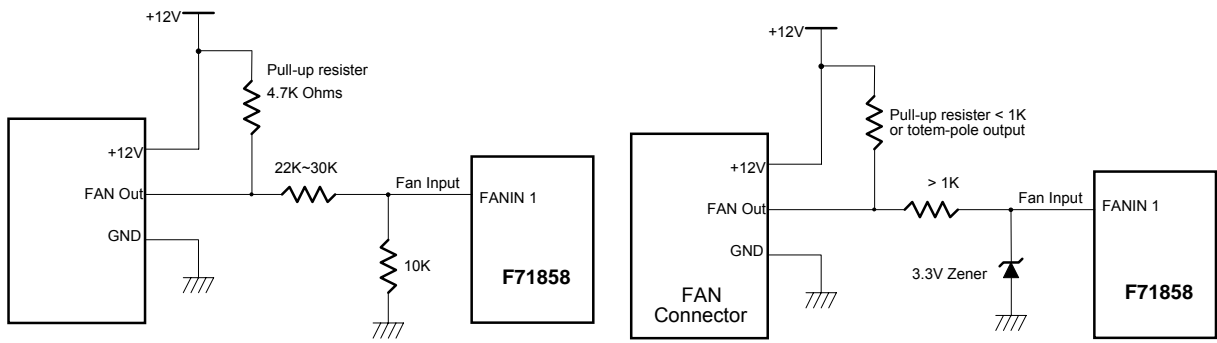


*Interrupt Reset when Interrupt Status Registers are written 1

Fan speed count

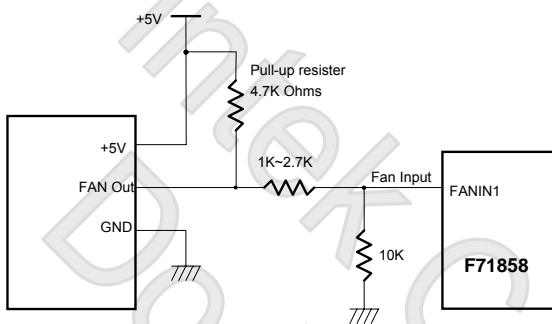
Inputs are provided by the signals from fans equipped with tachometer outputs. The level of these signals should be set to TTL level, and maximum input voltage cannot be over 5V. If the input signals from the tachometer outputs are over the 5V, the external trimming circuit should be added to reduce the voltage to obtain the input specification. The normal circuit and trimming circuits are shown as follows:

F71858

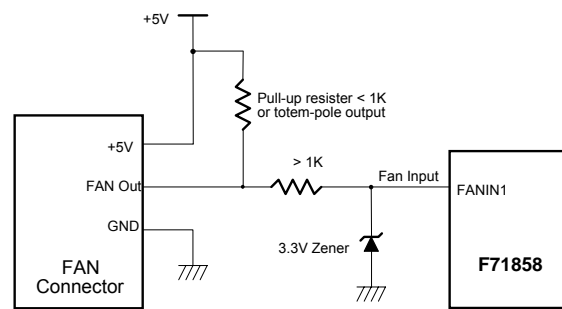


Fan with Tach Pull-Up to +12V, or Totern-Pole Output and Register Attenuator

Fan with Tach Pull-Up to +12V, or Totem-Pole Putput and Zener Clamp



Fan with Tach Pull-Up to +5V, or Totern-Pole Output and Register Attenuator



Fan with Tach Pull-Up to +5V, or Totem-Pole Putput and Zener Clamp

Determine the fan counter according to:

$$Count = \frac{1.5 \times 10^6}{RPM}$$

In other words, the fan speed counter has been read from register, the fan speed can be evaluated by the following equation. As for fan, it would be best to use 2 pulses tachometer output per round.

$$RPM = \frac{1.5 \times 10^6}{Count}$$

Fan speed control

The F71858 provides 2 fan speed control methods:

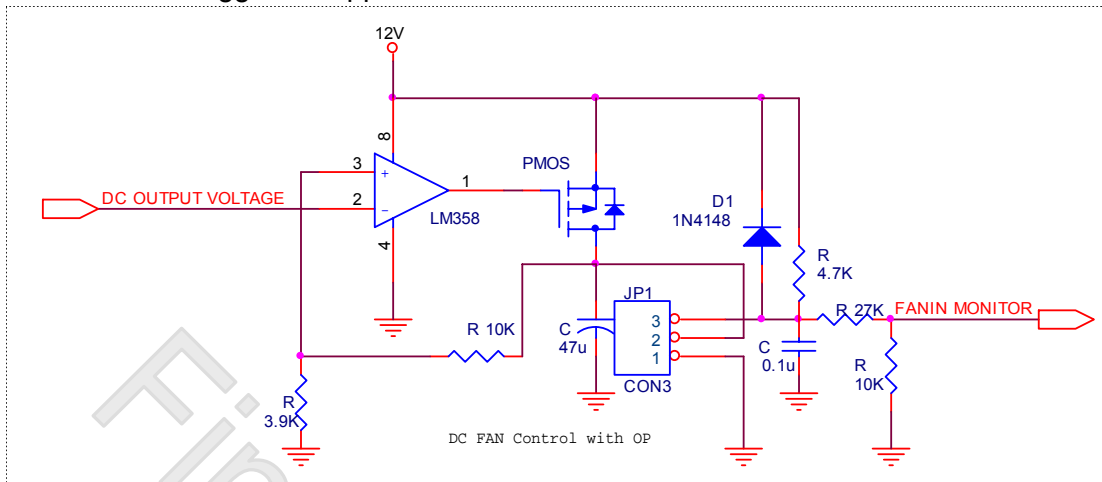
1. DAC FAN CONTROL
2. PWM DUTY CYCLE

DAC Fan Control

The range of DC output is 0~3.3V, controlled by 8-bit register. 1 LSB is about 0.013V. The output DC voltage is amplified by external OP circuit, thus to reach maximum FAN OPERATION VOLTAGE, 12V. The output voltage will be given as followed:

$$Output_voltage (V) = 3.3 \times \frac{Programmed\ 8bit\ Register\ Value}{255}$$

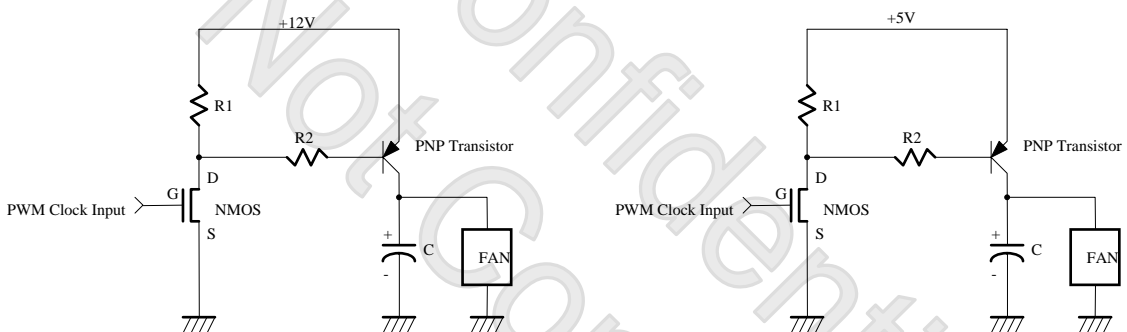
And the suggested application circuit for DAC fan control would be:



PWM duty Fan Control

The duty cycle of PWM can be programmed by a 8-bit register. The default duty cycle is set to 40%, that is, the default 8-bit registers is set to FFh. The expression of duty can be represented as follows.

$$\text{Duty_cycle(\%)} = \frac{\text{Programmed 8bit Register Value}}{255} \times 100\%$$



Fan speed control mechanism

There are some modes to control fan speed and they are 1. Manual mode, 2. Stage auto mode, 3. Linear auto mode. More detail, please refer the description of registers.

Manual mode:

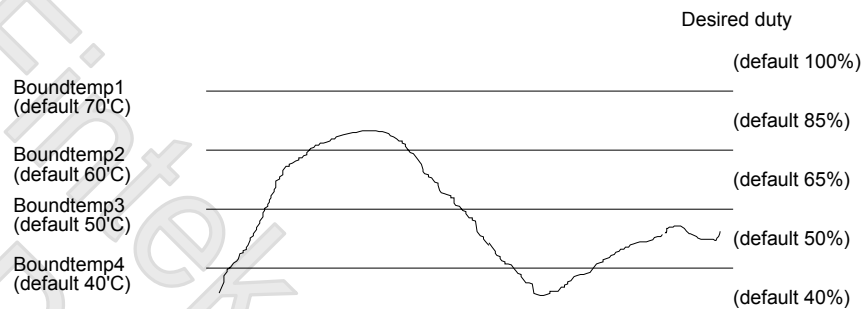
For manual mode, it generally acts as software fan speed control.

Stage auto mode:

At this mode, the F71858 provides automatic fan speed control related to temperature variation of CPU/GPU or the system. The F71858 can provide four temperature boundaries and five intervals, and each interval has its related fan speed count. All these values should be set by BIOS first. Take figure as example. When temperature boundaries are set as 40, 50,

F71858

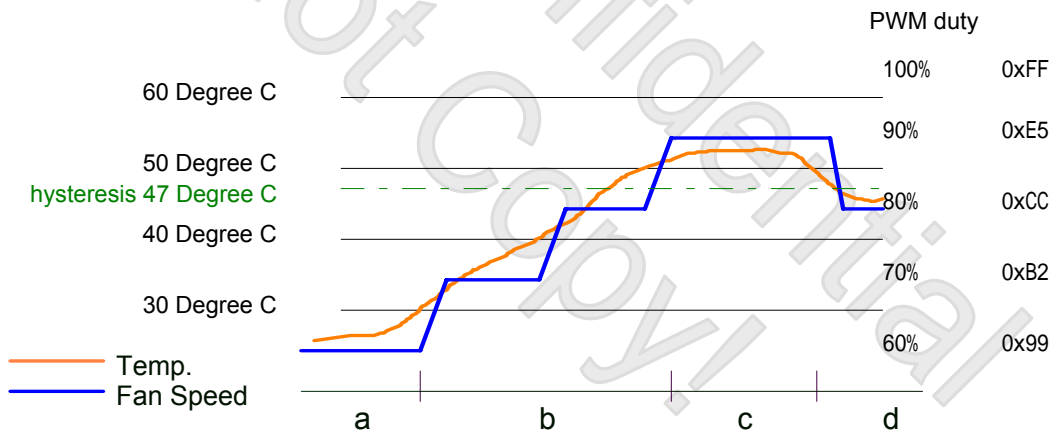
60, and 70°C and there are five intervals (each interval is 10°C). The related desired PWM duty for each interval are 100%, 85%, 65%, 50%, 40%. When the temperature is within 50~60°C, the duty is 65% will be load into FAN expect duty register. Then, the F71858 will adjust PWMOOUT duty-cycle to meet the expected value. It can be said that the fan will be turned on with a specific speed set by BIOS and automatically controlled with the temperature variation. The F71858 will take charge of all the fan speed control and need no software support.



There are two examples as below:

A. Stage auto mode (PWM Duty)

Set temperature as 60°C, 50°C, 40°C, 30°C and Duty as 100%, 90%, 80%, 70%, 60%

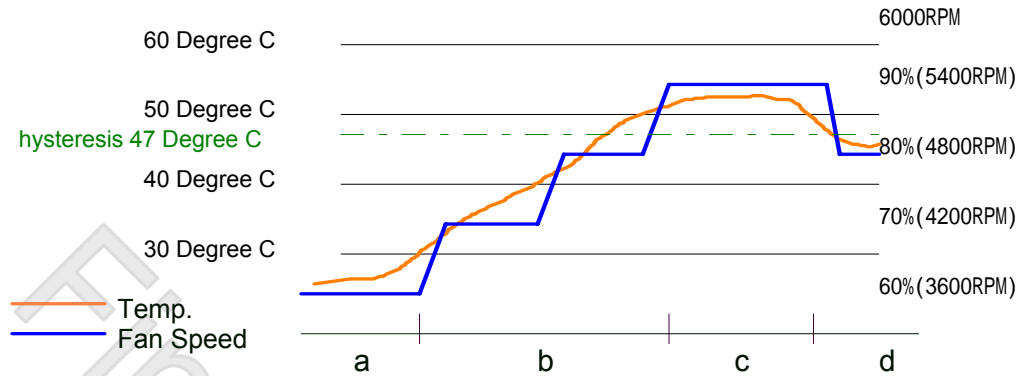


- Once temp. is under 30°C, the lowest fan speed keeps 60% PWM duty
- Once temp. is over 30°C, 40°C, 50°C, the fan speed will vary from 60% to 90% PWM duty and increase with temp. level.
- Once temp. keeps in 55°C, fan speed keeps in 90% PWM duty
- If set the hysteresis as 3°C (default 4°C), once temp reduces under 47°C, fan speed reduces to 80% PWM duty and stays there.

B. Stage auto mode (RPM%)

F71858

Set temperature as 60°C, 50°C, 40°C, 30°C and assume the Full Speed is 6000rpm, set 90% of full speed RPM(5400rpm), 80%(4800rpm), 70%(4200rpm), 60%(3600rpm) of full speed RPM



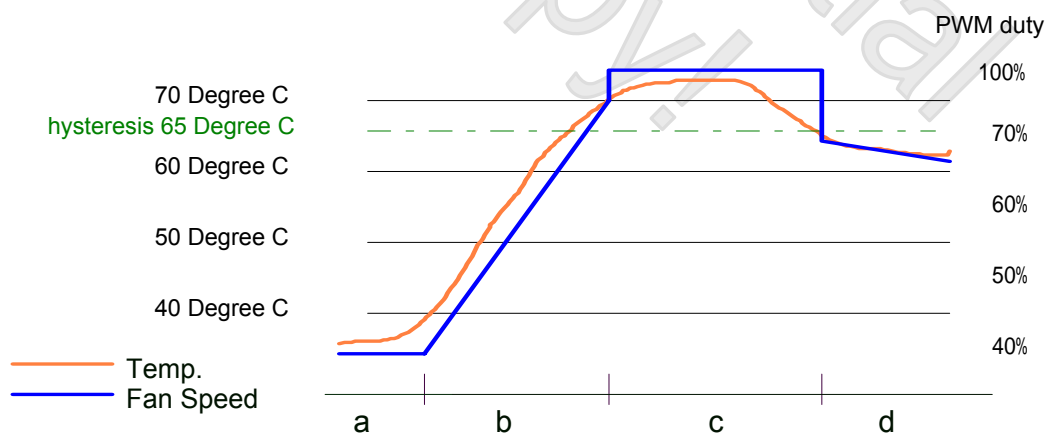
- Once temp. is under 30°C, the lowest fan speed keeps 60% of full speed (3600RPM).
- Once temp. is over 30°C,40°C,50°C, the fan speed will vary from 3600RPM to 5400RPM and increase with temp. level.
- Once temp. keeps in 55°C, fan speed keeps in 90% of full speed (5400RPM)
- If set the hysteresis as 3°C (default 4°C), once temp reduces under 47°C, fan speed reduces to 4800RPM and stays there.

Linear auto mode:

Otherwise, F71858 supports linear auto mode. Below has two examples to describe this mode. More detail, please refer the register description.

A. Linear auto mode (PWM Duty)

Set temperature as 70°C, 60°C, 50°C, 40°C and Duty as 100%, 70%, 60%, 50%, 40%



- Once temp. is under 40°C, the lowest fan speed keeps 40% PWM duty
- Once temp. is over 40°C,50°C,60°C, the fan speed will vary from 40% to 70% PWM duty

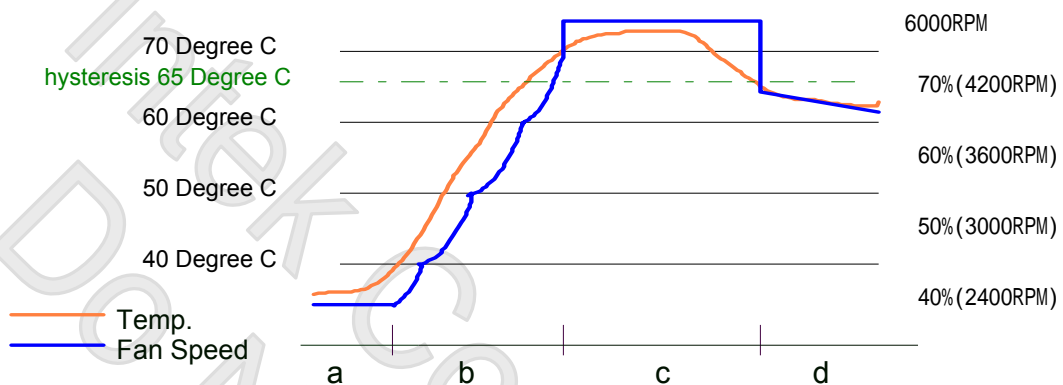
F71858

and linearly increase with temp. variation. The temp.-fan speed monitoring and flash interval is 1sec.

- c. Once temp. goes over 70°C, fan speed will directly increase to 100% PWM duty (full speed)
- d. If set the hysteresis as 5°C(default is 4°C), once temp reduces under 65°C (not 70°C), fan speed reduces from 100% PWM duty and decrease linearly with temp..

B. Linear auto mode (RPM%)

Set temperature as 70°C, 60°C, 50°C, 40°C and if full speed is 6000RPM, setting 100%, 70%, 60%, 50%, 40% of full speed.



- a. Once temp. is under 40°C, the lowest fan speed keeps 40% of full speed (2400RPM)
- b. Once temp. is over 40°C,50°C,60°C, the fan speed will vary from 40% to 70% of full speed and almost linearly increase with temp. variation. The temp.-fan speed monitoring and flash interval is 1sec.
- c. Once temp. goes over 70°C, fan speed will directly increase to full speed 6000RPM.
- d. If set the hysteresis as 5°C, once temp reduces under 65°C (not 70°C), fan speed reduces from full speed and decrease linearly with temp..

PWMOUT Duty-cycle operating process

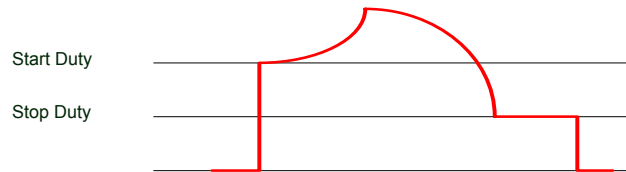
In both “Manual RPM” and “Temperature RPM” modes, the F71858 adjust PWMOUT duty-cycle according to current fan count and expected fan count. It will operate as follows:

- (1). When expected count is 0xFF, PWMOUT duty-cycle will be set to 0x00 to turn off fan.
- (2). When expected count is 0x00, PWMOUT duty-cycle will be set to 0xFF to turn on fan with full speed.
- (3). If both (1) and (2) are not true,

When PWMOUT duty-cycle decrease to MIN_DUTY(≠ 00h), obviously the duty-cycle will decrease to 00h next, When F71858 up the fan speed will keep duty-cycle at start duty for

F71858

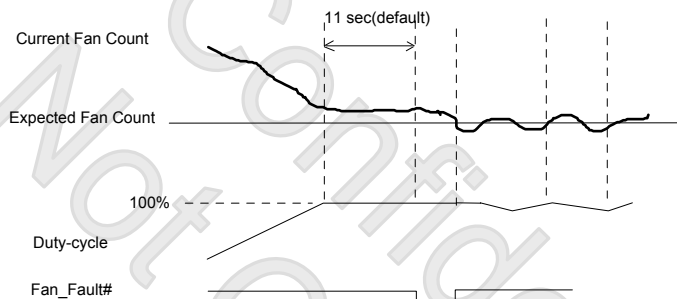
1.2 seconds. After that, the F71858 starts to compare current fan count and expected count in order to increase or decrease its duty-cycle. This ensures that if there is any glitch during the period, the F71858 will ignore it.



FAN HM_IRQ Signal (HM_IRQ# and PME#)

Fan fault will be asserted when the fan speed doesn't meet the expected fan speed within a programmable period (default is 11 seconds) or when fan stops with respect to PWM duty-cycle which should be able to turn on the fan. There are two conditions may cause the FAN_FAULT# event.

(1). When PWM_Duty reaches 0xFF, the fan speed count can't reach the fan expected count in time.



(2). After the period of detecting fan full speed, when PWM_Duty > Min. Duty, and fan count still in 0xFFFF.

6.4 LED function

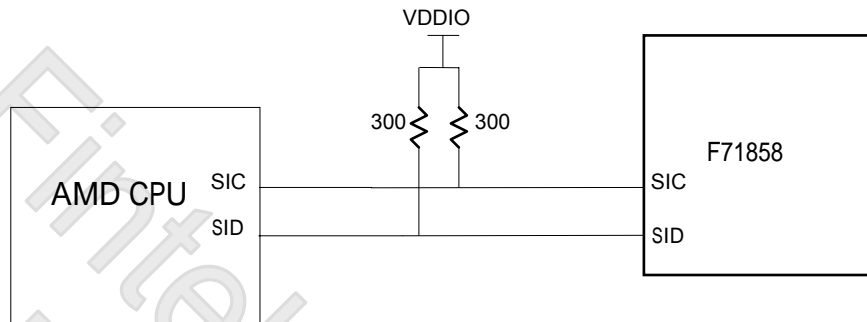
The F71858 provides two LEDs to indicate system state (S0, S3, and S5). Every state has indicate 4 kinds of mode (1) always 0 (2) oscillate 1Hz (3) oscillate 1/2 Hz (4) always 1 and can be controlled by configuration register.

When system is in s0 state, LED1 defaults 0 and LED2 defaults 1. When system is in s3 state, LED1 and LED2 oscillate 1Hz. When system is in s5 state, LED1 defaults 1 and LED2 defaults 0.

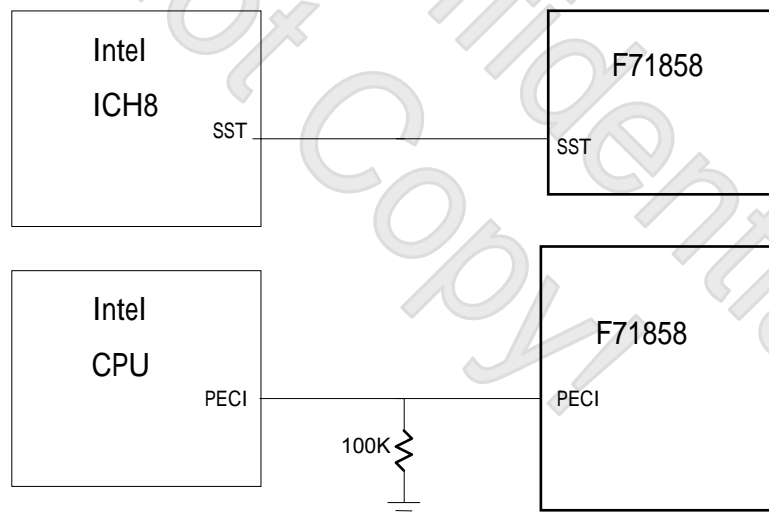
F71858

6.5 AMDSI and Intel SST PECCI Function

The F71858 provides Intel SST/PECCI/AMDSI interfaces for new generational CPU temperature sensing. In AMDSI interface, there are SIC and SID signals for temperature information reading from AMD CPU. The SIC signal is for clocking use, the other is for data transferring. More detail please refer register description.



In Intel SST and PECCI interfaces, the F71858 can connect to CPU/SST directly. The F71858 can read the temperature data from CPU, then the fan control machine of F71858 can implement the Fan to cool down CPU temperature. As same as PECCI, chipset can get information from F71858 including CPU temperature, system temperature (F71858 provides D+/D- for system temperature sensing), fan speed status by SST. The application circuit is as below. More detail please refer the register description.



7. Register Description

7.1 Global Control Registers

The configuration register is used to control the behavior of the corresponding devices. To configure the register, using the index port to select the index and then writing data port to alter the parameters. The default index port and data port are 0x4E and 0x4F respectively. To enable configuration, the entry key 0x87 must be written to the index port. To disable configuration, write exit key 0x78 twice or key 0xaa once to the index port. Following is a example to enable configuration and disable configuration by using debug.

- o 4e 87
- o 4e 87 (enable configuration)
- o 4e aa (disable configuration)

7.1.1 Software Reset Register — Index 02h

Bit	Name	R/W	Default	Description
7-1	Reserved	-	-	Reserved
0	SOFT_RST	R/W	0	Write 1 to reset the register and device powered by VDD (VCC).

7.1.2 Logic Device Number Register — Index 07h

Bit	Name	R/W	Default	Description
7-0	LDN	R/W	00h	00h: Select KBC device configuration registers. 01h: Select PME & ACPI device configuration registers. 02h: Select hardware monitor device configuration registers.

7.1.3 Chip ID Register — Index 20h

Bit	Name	R/W	Default	Description
7-0	CHIP_ID1	R	05h	Chip ID 1 of F71858.

F71858

7.1.4 Chip ID Register — Index 21h

Bit	Name	R/W	Default	Description
7-0	CHIP_ID2	R	07h	Chip ID2 of F71858.

7.1.5 Vendor ID Register — Index 23h

Bit	Name	R/W	Default	Description
7-0	VENDOR_ID1	R	19h	Vendor ID 1 of Fintek devices.

7.1.6 Vendor ID Register — Index 24h

Bit	Name	R/W	Default	Description
7-0	VENDOR_ID2	R	34h	Vendor ID 2 of Fintek devices.

7.1.7 Port Select Register — Index 25h

Bit	Name	R/W	Default	Description
7-5	Reserved	-	-	Reserved.
4	PORT_4E_EN	R/W	1	The port could be changed by writing this register. 0: Configuration register port is 2E/2F. 1: Configuration register port is 4E/4F. (Default)
3-0	Reserved	-	-	Reserved.

7.1.8 Select KB/MO Wakeup Register — Index 27h

Bit	Name	R/W	Default	Description
7	Dis_wake	R/W	0	1: disable KB/MO wakeup function 0: enable KB/MO wakeup function.
6-4	Reserved	-	0	Reserved.
2	MO_SEL	R/W	0	Select mouse Key to wakeup host 0: click mouse key 1: any mouse key
3,1-0	KB_SEL	R/W	000	Select combination key to wakeup host 000: CTRL + ESC 001: CTRL + F1 010: CTRL +SPACE 011: ANY KEY 100:windows 98 wakeup up key

7.2 KBC Registers

7.2.1 Logic Device Number Register

Logic Device Number Register — Index 07H

Bit	Name	R/W	Default	Description
7-0	LDN	R/W	00h	00h: Select KBC device configuration registers. 01h: Select PME & ACPI device configuration registers. 02h: Select hardware monitor device configuration registers.

7.2.2 KBC Configuration Registers

KBC Device Enable Register — Index 30h

Bit	Name	R/W	Default	Description
7-1	Reserved	-	-	Reserved
0	KBC_EN	R/W	1	0: disable KBC. 1: enable KBC.

Base Address High Register — Index 60h

Bit	Name	R/W	Default	Description
7-0	BASE_ADDR_HI	R/W	00h	The MSB of KBC base address.

Base Address Low Register — Index 61h

Bit	Name	R/W	Default	Description
7-0	BASE_ADDR_LO	R/W	60h	The LSB of KBC base address.

Keyboard IRQ Channel Enable Register — Index 70h

Bit	Name	R/W	Default	Description
7-6	Reserved	-	-	Reserved.
0	ENKBCIRQ	R/W	1B	Enable the IRQ channel for Keyboard.

Mouse IRQ Channel Enable Register — Index 72h

Bit	Name	R/W	Default	Description
7-6	Reserved	-	-	Reserved.
0	ENMOCIRQ	R/W	1B	Enable the IRQ channel for Mouse.

7.3 ACPI and PME Registers

7.3.1 Logic Device Number Register

Logic Device Number Register — Index 07H

Bit	Name	R/W	Default	Description
7-0	LDN	R/W	00h	00h: Select KBC device configuration registers. 01h: Select PME & ACPI device configuration registers. 02h: Select hardware monitor device configuration registers.

7.3.2 ACPI and PME Configuration Registers

Device Enable Register — Index 30h

Bit	Name	R/W	Default	Description
7-1	Reserved	-	-	Reserved
0	PME_EN	R/W	0	0: disable PME. 1: enable PME.

PME Event Enable Register — Index F0h

Bit	Name	R/W	Default	Description
7	Reserved	-	-	Reserved
6	MS_PME_EN	R/W	0	PS/2 mouse PME event enable. 0: disable PS/2 mouse PME event. 1: enable PS/2 mouse PME event.
5	KB_PME_EN	R/W	0	PS/2 keyboard PME event enable. 0: disable PS/2 keyboard PME event. 1: enable PS/2 keyboard PME event.
4-1	Reserved	-	-	Reserved
0	HM_PME_EN	R/W	0	Hardware Monitor PME event enable. 0: disable Hardware Monitor PME event. 1: enable Hardware Monitor PME event.

PME Event Status Register — Index F1h

Bit	Name	R/W	Default	Description
7	Reserved	-	-	Reserved
6	MS_PME_ST	R/W	0	PS/2 mouse PME event status. 0: PS/2 mouse has no PME event. 1: PS/2 mouse has a PME event to assert. Write 1 to clear to be ready for next PME event.
5	KB_PME_ST	R/W	0	PS/2 keyboard PME event status. 0: PS/2 keyboard has no PME event. 1: PS/2 keyboard has a PME event to assert. Write 1 to clear to be ready for next PME event.
4-1	Reserved	-	-	Reserved

F71858

0	HM_PME_ST	R/W	0	Hardware Monitor PME event status. 0: Hardware Monitor has no PME event. 1: Hardware Monitor has a PME event to assert. Write 1 to clear to be ready for next PME event.
---	-----------	-----	---	--

ACPI Control Register — Index F4h

Bit	Name	R/W	Default	Description
7	TS3	R/W	0	Set to 1 into S1 state. Two wake up methods: 1. PME wake up event → Must write this bit to 0. 2. PS_OUT# wake up event → Auto clear this bit.
6-5	Reserved	-	-	Reserved.
4	ENKBWAKEUP	R/W	0	0:disable keyboard wakeup signal (PS_OUT#) 1:enable keyboard wakeup signal
3	ENMOWAKEUP	R/W	0	0:disable mouse wakeup signal (PS_OUT#) 1:enable mouse wakeup signal
2-1	PWRCTRL	R/W	11	The ACPI Control the PSON# to always on or always off or keep last state 00 : keep last state 10 : Always on 01 : Reserved (always on) 11: Always off
0	VSB_PWR_LOSS	R/W	0	When VSB 3V comes, it will set to 1, and write 1 to clear it

ACPI Control Register — Index F5h

Bit	Name	R/W	Default	Description
7	SEL_S3	R/W	0	1:selected by TS3 TS3 0: chip decided into S3 state from S3 pin 1 : chip direct into S3 state 0: chip decided into S3 state from VDD (VCC) power detect ok., which chip detects voltage circuit
6	Reserved	-	-	Reserved
5	BY_PASS_LRST	R/W	1	Bypass LRESET# to PCIRESET[5:1]
4	RSTCON_EN	R/W	0	PWROK and PCIRST[5:1] are affect by RSTCON bit. When RSTCON set 0, PWROK output RST_IN and VDD (VCC) voltage detect ok. RSTCON set to 1, PWROK only output VDD (VCC) voltage detect ok. When RSTCON set to 0, PCIRST[5:1] output LRESET# and confreg reset dat(0XF8) . RSTCON set tp 1, PCIRST[5:1] output RST_IN, LRESET# and confreg reset dat(0XF8).
3-2	DELAY	R/W	11	The PWROK delay timing from VCC3VOK by followed setting 00 : 100ms 01 : 200ms 10 : 300ms 11 : 400ms
1	Bypass_db	R/W	0	BYPASS the S3#/S4#/PSIN#/RSTIN# Pins.
0	VINDB_EN	R/W	1	Enable the RSTIN# debounce.

ACPI Soft reset Register — Index F6h

Bit	Name	R/W	Default	Description
7	SOFT_RST_ACPI	W	0	Software Reset to ACPI Set to 1 to reset ACPI

F71858

6-0	Reserved	-	-	Reserved
-----	----------	---	---	----------

ACPI reset enable Register — Index F7h

Bit	Name	R/W	Default	Description
7-5	Reserved	-	-	Reserved
4-0	PCI_RST_EN	R/W	5'h1F	RESET output enable

ACPI reset data Register — Index F8h

Bit	Name	R/W	Default	Description
7-5	Reserved	-	-	Reserved
4-0	PCI_RST_DAT	W	5'h0	Write 1 to RESET output low pulse 2ms.

LED S0 status Register — Index F9h

Bit	Name	R/W	Default	Description
7	phase	R/W	0	When bit 7 is the same of the bit 3, LED2 oscillate phase is the same LED1.
6	Reserved	-	-	Reserved
5-4	LED2_S0	R/W	2'b11	Indicate LED2 response when system in S0 state 00:LED assert 0 01: oscillate 1Hz 10: oscillate 1/2Hz 11: tri-state
3	phase	R/W	0	When bit 7 is the same of the bit 3, LED2 oscillate phase is the same LED1.
2	Reserved	-	-	Reserved
1-0	LED1_S0	W	2'b00	Indicate LED1 response when system in S0 state 00:LED assert 0 01: oscillate 1Hz 10: oscillate 1/2Hz 11: tri-state

LED S3/S5 status Register — Index FAh

Bit	Name	R/W	Default	Description
7-6	LED2_S5	R/W	2'b00	Indicate LED2 response when system in S5 state 00:LED assert 0 01: oscillate 1Hz 10: oscillate 1/2Hz 11: tri-state
5-4	LED2_S3	R/W	2'b01	Indicate LED2 response when system in S3 state 00:LED assert 0 01: oscillate 1Hz 10: oscillate 1/2Hz 11: tri-state
3-2	LED1_S5	R/W	2'b11	Indicate LED1 response when system in S5 state 00:LED assert 0 01: oscillate 1Hz 10: oscillate 1/2Hz 11: tri-state.
1-0	LED1_S3	W	2'b01	Indicate LED1 response when system in S3 state 00:LED assert 0 01: oscillate 1Hz 10: oscillate 1/2Hz 11: tri-state

7.4 Hardware Monitor Registers (Index port: 0x295; Data port: 0x296)

7.4.1 Logic Device Number Register

Logic Device Number Register — Index 07H

Logic Device Number Register — Index 07H

Bit	Name	R/W	Default	Description
7-0	LDN	R/W	00h	00h: Select KBC device configuration registers. 01h: Select PME & ACPI device configuration registers. 02h: Select Hardware Monitor device configuration registers.

7.4.2 Hardware Monitor Configuration Registers

KBC Device Enable Register — Index 30h

Bit	Name	R/W	Default	Description
7-1	Reserved	-	-	Reserved
0	HM_EN	R/W	1	0: disable hardware monitor. 1: enable hardware monitor.

Base Address High Register — Index 60h

Bit	Name	R/W	Default	Description
7-0	BASE_ADDR_HI	R/W	02h	The MSB of HM base address.

Base Address Low Register — Index 61h

Bit	Name	R/W	Default	Description
7-0	BASE_ADDR_LO	R/W	95h	The LSB of HM base address.

7.4.3 Hardware Monitor Device Register

7.4.3.1 Configuration Register — Index 01h

Bit	Name	R/W	Default	Description
7	Reserved	R	0	Reserved
6	Reserved	R/W	0	Reserved
5-4	Reserved	R	0	Reserved
3	Reserved	R/w	0	Reserved
2	POWER_DOWN	R/W	0	Hardware monitor function power down.
1	FAN_START	R/W	1	Set one to enable startup of fan monitoring operations; a zero puts the part in standby mode.
0	V_T_START	R/W	1	Set one to enable startup of temperature and voltage monitoring operations; a zero puts the part in standby mode.

7.4.3.2 Configuration Register — Index 02h

Bit	Name	R/W	Default	Description
-----	------	-----	---------	-------------

F71858

7-6	Reserved	R	0	Return 0.
5-4	ALERT_MODE	R/W	0	00: The ALERT# will be low active level mode. 01: The ALERT# will be low active pulse mode. (160us) 10: The ALERT # will indicate by 1Hz LED function. 11: The ALERT # will indicate by (400/800HZ) BEEP output.
4-0	Reserved	R	0	--

7.4.3.3 PECI SST AMDSI Interface Configuration Register — Index 0Ah

Bit	Name	R/W	Default	Description
7-6	Reserved	R/W	0	Reserved.
5	T1_IIR_EN	R/W	0	Set 1 to enable the IIR for AMDSI/PECI reading.
4	SST_EN	R/W	0	Enable SST Interface.
3-2	PECI_POWER_SEL	R/W	00	00: PECE output high level will be 1.23V 01: PECE output high level will be 1.13V 10: PECE output high level will be 1.00V 11: PECE output high level will be 1.00V
1-0	MEAS_TYPE	R/W	0	Select the CPU temperature measure method 00: External thermal diode. 01: PECE interface. 10: AMDSI interface. 11: Reserved.

7.4.3.4 AMDSI Version Register — Index 0Bh (MEAS_TYPE == 2'b10)

Bit	Name	R/W	Default	Description
7-0	AMDSI_VER	R	-	When AMDSI interface enable, this will be AMDSI version register. Return the AMDSI version.

7.4.3.5 Dual Single Core select Register — Index 0Bh (MEAS_TYPE == 2'b01)

Bit	Name	R/W	Default	Description
7-2	Reserved	R	-	Reserved
1	TEMPVALUE_SEL	W	0	When Dual Core CPU selection. Temperature value measurement method will be select by this bit. 0: Average dual cores' temperature. 1: Select higher one temperature of these two cores.
0	DualCore_EN	R/W	0	When PECE interface enable, this will be Dual Single Core select register. 0: Single Core CPU selection 1: Dual Core CPU selection

7.4.3.6 TCC Activation Temperature Register — Index 0Ch (MEAS_TYPE == 2'b01)

Bit	Name	R/W	Default	Description
7-0	TCC_TEMP	R/W	0	TCC Activation Temperature. The absolute value of CPU temperature is calculated by the equation: CPU_TEMP = TCC_TEMP + PECE Reading. The range of this register is 0 ~ 255.

7.4.3.7 AMDSI Node ID Register — Index 0Ch (MEAS_TYPE == 2'b10)

Bit	Name	R/W	Default	Description
7-0	NODE_ID	R	-	Return the AMDSI node id.

F71858

7.4.3.8 SST Address Register — Index 0Dh

Bit	Name	R/W	Default	Description
7-0	SST_ADDR	R/W	8'h4C	Address for SST interface. Programmable.

7.4.3.9 CPU Temp. Measure Select Register — Index 0Eh

Bit	Name	R/W	Default	Description
7-4	Reserved	-	0	Reserved.
3	ADD	R/W	0	Temperature scale selection. 1: Temp. Measure = Reading Value + Reading Value * $2^{-Scale[2:0]}$ 0: Temp. Measure = Reading Value - Reading Value * $2^{-Scale[2:0]}$
2-0	SCALE[2:0]	R/W	000	When ADD=1, the Temp. Measure is 000: 1 * Reading Value 001: 3/2 * Reading Value 110: 65/64 * Reading Value 111: 129/128 * Reading Value ----- When ADD=0, the Temp. Measure is 000: 1 * Reading Value 001: 1/2 * Reading Value 110: 63/64 * Reading Value 111: 127/128 * Reading Value

7.4.3.10 Voltage reading and limit— Index 20h- 22h

Address	Attribute	Default Value	Description
20h	RO	--	VCC3V reading. The unit of reading is 8mV.
21h	RO	--	VS _B 3V reading. The unit of reading is 8mV.
22h	RO	--	VBAT3V reading. The unit of reading is 8mV.

7.4.3.11 Temperature PME# Enable Register — Index 60h

Bit	Name	R/W	Default	Description
7	Reserved	R	0	Reserved
6	EN_T2_HIGH_PME	R/W	0	A one enables the corresponding interrupt status bit for PME# interrupt. (CR61 bit6)
5	EN_T1_HIGH_PME	R/W	0	A one enables the corresponding interrupt status bit for PME# interrupt. (CR61 bit5)
4	EN_L_HIGH_PME	R/W	0	A one enables the corresponding interrupt status bit for PME# interrupt. (CR61 bit4)
3	Reserved	R	0	Reserved
2	EN_T2_LOW_PME	R/W	0	A one enables the corresponding interrupt status bit for PME# interrupt. (CR61 bit2)
1	EN_T1_LOW_PME	R/W	0	A one enables the corresponding interrupt status bit for PME# interrupt. (CR61 bit1)
0	EN_L_LOW_PME	R/W	0	A one enables the corresponding interrupt status bit for PME# interrupt. (CR61 bit0)

7.4.3.12 Temperature Interrupt Status Register — Index 61h

Bit	Name	R/W	Default	Description
7	Reserved	R	0	Reserved
6	T2_HIGH_STS	R/W	0	<p>H_L_LIMIT_MODE set to 1 (CR69 bit 4) “default” Set when the TEMP2(CR74) exceeds the HIGH limit(CR84) or when temperature return from over HIGH to under LOW limit(CR85). Write 1 to clear this bit, write 0 will be ignored.</p> <p>H_L_LIMIT_MODE set to 0 (CR69 bit 4) Set when the TEMP2(CR74) exceeds the HIGH limit(CR84) or when temperature return from over HIGH to under “HIGH limit –hysteresis (CR6D)”. Write 1 to clear this bit, write 0 will be ignored.</p>
5	T1_HIGH_STS	R/W	0	<p>H_L_LIMIT_MODE set to 1 (CR69 bit 4) “default” Set when the TEMP1(CR72) exceeds the HIGH limit(CR82) or when temperature return from over HIGH to under LOW limit(CR83). Write 1 to clear this bit, write 0 will be ignored.</p> <p>H_L_LIMIT_MODE set to 0 (CR69 bit 4) Set when the TEMP1(CR72) exceeds the HIGH limit(CR82) or when temperature return from over HIGH to under “HIGH limit –hysteresis (CR6C)”. Write 1 to clear this bit, write 0 will be ignored.</p>
4	LOCAL_HIGH_STS	R/W	0	<p>H_L_LIMIT_MODE set to 1 (CR69 bit 4) “default” Set when the LOCAL TEMP (CR70) exceeds the HIGH limit(CR80) or when temperature return from over HIGH to under LOW limit(CR81). Write 1 to clear this bit, write 0 will be ignored.</p> <p>H_L_LIMIT_MODE set to 0 (CR69 bit 4) Set when the LOCAL TEMP exceeds the HIGH limit (CR80) or when temperature return from over HIGH to under “HIGH limit –hysteresis (CR6C)”. Write 1 to clear this bit, write 0 will be ignored.</p>
3	Reserved	R	0	Reserved
2	T2_LOW_STS	R/W	0	<p>H_L_LIMIT_MODE set to 1 (CR69 bit 4) “default” This bit always return 0.</p> <p>H_L_LIMIT_MODE set to 0 (CR69 bit 4) Set when the TEMP2 exceeds the LOW limit (CR85) or when temperature return from over HIGH to under “LOW limit –hysteresis (CR6D)”. Write 1 to clear this bit, write 0 will be ignored.</p>
1	T1_LOW_STS	R/W	0	<p>H_L_LIMIT_MODE set to 1 (CR69 bit 4) “default” This bit always return 0.</p> <p>H_L_LIMIT_MODE set to 0 (CR69 bit 4) Set when the TEMP1 exceeds the LOW limit (CR83) or when temperature return from over HIGH to under “LOW limit –hysteresis (CR6C)”. Write 1 to clear this bit, write 0 will be ignored.</p>
0	LOCAL_LOW_STS	R/W	0	<p>H_L_LIMIT_MODE set to 1 (CR69 bit 4) “default” This bit always return 0.</p> <p>H_L_LIMIT_MODE set to 0 (CR69 bit 4) Set when the LOCAL TEMP exceeds the LOW limit (CR81) or when temperature return from over HIGH to under “LOW limit –hysteresis (CR6C)”. Write 1 to clear this bit, write 0 will be ignored.</p>

7.4.3.13 Temperature Real Time Status Register — Index 62h

Bit	Name	R/W	Default	Description
7	Reserved	R	0	Reserved

F71858

6	T2_HIGH_EXC	R/W	0	<p>H_L_LIMIT_MODE set to 1 (CR69 bit 4) Set when the TEMP2 exceeds the HIGH limit (CR84). Clear when the TEMP2 is below the LOW limit (CR85) –hysteresis (CR6D) temperature.</p> <p>H_L_LIMIT_MODE set to 0 (CR69 bit 4) Set when the TEMP2 exceeds the HIGH limit (CR84). Clear when the TEMP2 is below the “HIGH limit (CR84)–hysteresis (CR6D)” temperature.</p>
5	T1_HIGH_EXC	R/W	0	<p>H_L_LIMIT_MODE set to 1 (CR69 bit 4) Set when the TEMP1 exceeds the HIGH limit(CR82). Clear when the TEMP1 is below the LOW limit (CR83) –hysteresis (CR6C) temperature.</p> <p>H_L_LIMIT_MODE set to 0 (CR69 bit 4) Set when the TEMP1 exceeds the HIGH limit (CR82). Clear when the TEMP1 is below the “HIGH limit (CR82)–hysteresis (CR6C)” temperature.</p>
4	LOCAL_HIGH_EXC	R/W	0	<p>H_L_LIMIT_MODE set to 1 (CR69 bit 4) Set when the Local TEMP exceeds the HIGH limit (CR80). Clear when the Local TEMP is below the LOW limit (CR81) –hysteresis (CR6C) temperature.</p> <p>H_L_LIMIT_MODE set to 0 (CR69 bit 4) Set when the Local TEMP exceeds the HIGH limit (CR80). Clear when the Local TEMP is below the “HIGH limit(CR80)–hysteresis(CR6C)” temperature.</p>
3	Reserved	R	0	Reserved
2	T2_LOW_EXC	R/W	0	<p>H_L_LIMIT_MODE set to 1 (CR69 bit 4) This bit always return 0.</p> <p>H_L_LIMIT_MODE set to 0 (CR69 bit 4) Set when the TEMP2 exceeds the LOW limit (CR85). Clear when the TEMP2 is below the “LOW limit(CR85) –hysteresis (CR6D)” temperature.</p>
1	T1_LOW_EXC	R/W	0	<p>H_L_LIMIT_MODE set to 1 (CR69 bit 4) This bit always return 0.</p> <p>H_L_LIMIT_MODE set to 0 (CR69 bit 4) Set when the TEMP1 exceeds the LOW limit (CR83). Clear when the TEMP1 is below the “LOW limit(CR83) –hysteresis (CR6C)” temperature.</p>
0	LOCAL_LOW_EXC	R/W	0	<p>H_L_LIMIT_MODE set to 1 (CR69 bit 4) This bit always return 0.</p> <p>H_L_LIMIT_MODE set to 0 (CR69 bit 4) Set when the Local TEMP exceeds the LOW limit (CR81). Clear when the Local TEMP is below the “LOW limit(CR81)–hysteresis (CR6C)” temperature.</p>

7.4.3.14 ALERT# Output Enable Register 1 — Index 66h

Bit	Name	R/W	Default	Description
7-3	Reserved	R	0h	--
2	EN_T2_ALERT	R/W	0	When T2_HIGH_EXC(CR65 bit6) is active and this bit is Enabled. Then pin ALERT# will be active and user can select ALERT mode from (CR02).
1	EN_T1_ALERT	R/W	1	When T1_HIGH_EXC(CR65 bit5) is active and this bit is Enabled. Then pin ALERT# will be active and user can select ALERT mode from (CR02).
0	EN_LOCAL_ALERT	R/W	0	When LOCAL_HIGH_EXC(CR65 bit4) is active and this bit is Enabled. Then pin ALERT# will be active and user can select ALERT mode from (CR02).

7.4.3.15 Temperature PME# mode and Table Select Register -- Index 69h

Bit	Name	R/W	Default	Description
7-5	Reserved	R	0h	--

F71858

4	H_L_LIMIT_MODE	R/W	1	<p>If H_L_LIMIT_MODE set to 1 TEMP exceeds will be set when over HIGH limit. And clear when the TEMP below the LOW limit –hysteresis temperature.</p> <p>Else if H_L_LIMIT_MODE set to 0 TEMP exceeds will be set when over HIGH/LOW limit. And clear when the TEMP below the “HIGH/LOW limit–hysteresis” temperature.</p>
3-2	Reserved	R	0h	--
1-0	TEMP_TABLE_SEL	R/W	2h	00: Temperature display range 0°C~127°C 01: Temperature display range 0°C~145°C 10: Temperature display range -40°C ~127°C (default) 11: Temperature display range -40°C ~145°C

7.4.3.16 LOCAL and TEMP1 Limit Hysteresis Select Register -- Index 6Ch

Bit	Name	R/W	Default	Description
7-4	TEMP1_HYS	R/W	0h	TEMP1 will exceeds when over limit until under then “limit - TEMP1_HYS (hysteresis)”
3-0	LOCAL_HYS	R/W	0h	L TEMP will exceeds when over limit until under then “limit – L TEMP_HYS (hysteresis)”

7.4.3.17 TEMP2 and TEMP3 Limit Hysteresis Select Register -- Index 6Dh

Bit	Name	R/W	Default	Description
7-4	Reserved	R	0h	Reserved
3-0	TEMP2_HYS	R/W	0h	TEMP2 will exceeds when over limit until under then “limit – TEMP2_HYS (hysteresis)”

7.4.3.18 DIODE OPEN Status Register -- Index 6Fh

Bit	Name	R/W	Default	Description
7-3	Reserved	RO	0h	Reserved
2	T2_DIODE_OPEN	RO	0h	External diode 2 is open (1) or short (0)
1	T1_DIODE_OPEN	RO	0h	External diode 1 is open (1) or short (0)
0	T0_DIODE_OPEN	RO	0h	Internal diode 0 is open (1) or short (0)

7.4.3.19 Temperature Register — Index 70h- 8Fh

Address	Attribute	Default Value	Description
70h	RO	--	<p>When TEMP_TABLE_SEL=0x0 (CR69) Local temperature[10:3] reading. The unit of reading is 1°C. At the moment of reading this register. Maximum display is 127°C, minimum display is 0°C</p> <p>When TEMP_TABLE_SEL=0x1 (CR69) Local temperature[10:3] reading. The unit of reading is 1°C. At the moment of reading this register. Maximum display is 145°C, minimum display is 0°C</p> <p>When TEMP_TABLE_SEL=0x2 (CR69) “default” Local temperature[10:3] reading. The unit of reading is 1°C. At the moment of reading this register. Bit10 is the sign bit of the local temperature. Maximum display is 127°C, minimum display is -40°C</p> <p>When TEMP_TABLE_SEL=0x3 (CR69) Local temperature[10:3] reading. The unit of reading is 1°C. At the moment of reading this register. CR71 Bit0 is the sign bit of the local temperature. Maximum display is 145°C, minimum display is -40°C (when open this byte will return 0xBB, short this byte will return 0xCC)</p>
71h	RO	--	CR71 bit7-bit5 are the Local temperature reading value[2:0]. The unit of reading is 0.125°C. When TEMP_TABLE_SEL=0x3 (CR69)

F71858

			CR71 bit 0 is the sign bit of the Local temperature.
72h	RO	--	<p>When TEMP_TABLE_SEL=0x0 (CR69) Temperature 1 [10:3] reading. The unit of reading is 1°C. At the moment of reading this register. Maximum display is 127°C, minimum display is 0°C</p> <p>When TEMP_TABLE_SEL=0x1 (CR69) Temperature 1 [10:3] reading. The unit of reading is 1°C. At the moment of reading this register. Maximum display is 145°C, minimum display is 0°C</p> <p>When TEMP_TABLE_SEL=0x2 (CR69) "default" Temperature 1 [10:3] reading. The unit of reading is 1°C. At the moment of reading this register. Bit10 is the sign bit of the temperature 1. Maximum display is 127°C, minimum display is -40°C</p> <p>When TEMP_TABLE_SEL=0x3 (CR69) Temperature 1 [10:3] reading. The unit of reading is 1°C. At the moment of reading this register. CR73 Bit0 is the sign bit of the temperature 1. Maximum display is 145°C, minimum display is -40°C (when open this byte will return 0xBB, short this byte will return 0xCC)</p>
73h	RO	--	<p>CR73 bit7-bit5 are the temperature 1 reading value[2:0]. The unit of reading is 0.125°C.</p> <p>When TEMP_TABLE_SEL=0x3 (CR69) CR73 bit 0 is the sign bit of the temperature 1.</p>
74h	RO	--	<p>When TEMP_TABLE_SEL=0x0 (CR69) Temperature 2 [10:3] reading. The unit of reading is 1°C. At the moment of reading this register. Maximum display is 127°C, minimum display is 0°C</p> <p>When TEMP_TABLE_SEL=0x1 (CR69) Temperature 2 [10:3] reading. The unit of reading is 1°C. At the moment of reading this register. Maximum display is 145°C, minimum display is 0°C</p> <p>When TEMP_TABLE_SEL=0x2 (CR69) "default" Temperature 2 [10:3] reading. The unit of reading is 1°C. At the moment of reading this register. Bit10 is the sign bit of the temperature 2. Maximum display is 127°C, minimum display is -40°C</p> <p>When TEMP_TABLE_SEL=0x3 (CR69) Temperature 2 [10:3] reading. The unit of reading is 1°C. At the moment of reading this register. CR75 Bit0 is the sign bit of the temperature 2. Maximum display is 145°C, minimum display is -40°C (when open this byte will return 0xBB, short this byte will return 0xCC)</p>
75h	RO	--	<p>CR75 bit7-bit5 are the temperature 2 reading value[2:0]. The unit of reading is 0.125°C.</p> <p>When TEMP_TABLE_SEL=0x3 (CR69) CR75 bit 0 is the sign bit of the temperature 2.</p>
76-7Fh	RO	FFh	Reserved
80h	R/W	46h	Local Temperature sensor HIGH limit. The unit is 1°C.
81h	R/W	3Ch	Local Temperature sensor LOW limit. The unit is 1°C.
82h	R/W	64h	Temperature sensor 1 HIGH limit. The unit is 1°C.
83h	R/W	55h	Temperature sensor 1 LOW limit. The unit is 1°C.
84h	R/W	64h	Temperature sensor 2 HIGH limit. The unit is 1°C.
85h	R/W	55h	Temperature sensor 2 LOW limit. The unit is 1°C.
86-8Dh	RO	FFh	Reserved

7.4.3.20 Temperature Filter Select Register -- Index 8Eh

Bit	Name	R/W	Default	Description
7-6	Reserved	R	0h	--
5-4	IIR-QUEUR2	R/W	1h	The queue time for second filter to quickly update values. 00: 8 times. 01: 16 times. (default). 10: 24 times. 11: 32 times.

F71858

3-2	IIR-QUEUR1	R/W	1h	The queue time for second filter to quickly update values. 00: 8 times. 01: 16 times. (default). 10: 24 times. 11: 32 times.
1-0	IIR-QUEUR-LOCAL	R/W	1h	The queue time for second filter to quickly update values. 00: 8 times. 01: 16 times. (default). 10: 24 times. 11: 32 times.

7.4.3.21 FAN PME# Enable Register — Index 90h

Bit	Name	R/W	Default	Description
7-3	Reserved	RO	0h	Reserved
2	EN_FAN3_PME	R/W	0h	A one enables the corresponding interrupt status bit for PME# interrupt. (CR91 bit2)
1	EN_FAN2_PME	R/W	0h	A one enables the corresponding interrupt status bit for PME# interrupt. (CR91 bit1)
0	EN_FAN1_PME	R/W	0h	A one enables the corresponding interrupt status bit for PME# interrupt. (CR91 bit0)

7.4.3.22 FAN Interrupt Status Register — Index 91h

Bit	Name	R/W	Default	Description
7-3	Reserved	RO	0	Reserved
2	FAN3_STS	R/W	--	This bit is set when the fan3 count exceeds the count limit. Write 1 to clear this bit, write 0 will be ignored.
1	FAN2_STS	R/W	--	This bit is set when the fan2 count exceeds the count limit. Write 1 to clear this bit, write 0 will be ignored.
0	FAN1_STS	R/W	--	This bit is set when the fan1 count exceeds the count limit. Write 1 to clear this bit, write 0 will be ignored.

7.4.3.23 FAN Real Time Status Register — Index 92h

Bit	Name	R/W	Default	Description
7-3	Reserved	--	0	Reserved
2	FAN3_EXC	RO	--	This bit set to high mean that fan3 count can't meet expect count over than SMI time(CR9F) or when duty not zero but fan stop over then 3 sec.
1	FAN2_EXC	RO	--	This bit set to high mean that fan2 count can't meet expect count over than SMI time(CR9F) or when duty not zero but fan stop over then 3 sec.
0	FAN1_EXC	RO	--	This bit set to high mean that fan1 count can't meet expect count over than SMI time(CR9F) or when duty not zero but fan stop over then 3 sec.

7.4.3.24 FAN FAULT# Enable Register — Index 93h

Bit	Name	R/W	Default	Description
7	Reserved	RO	0h	Reserved
6	FULL_WITH_T2_EN	R/W	0	Set one will enable FAN to force full speed when T2 over high limit.
5	FULL_WITH_T1_EN	R/W	0	Set one will enable FAN to force full speed when T1 over high limit.
4	FULL_WITH_T0_EN	R/W	0	Set one will enable FAN to force full speed when T0 (Local Temperature) over high limit.

F71858

3	Reserved	RO	0	Reserved
2	EN_FAN3_ALERT	R/W	0	When FAN3_EXC(CR92 bit2) is active and this bit is Enabled. The pin ALERT# will be active and user can select ALERT mode from (CR02).
1	EN_FAN2_ALERT	R/W	0	When FAN2_EXC(CR92 bit1) is active and this bit is Enabled. The pin ALERT# will be active and user can select ALERT mode from (CR02).
0	EN_FAN1_ALERT	R/W	0	When FAN1_EXC(CR92 bit0) is active and this bit is Enabled. The pin ALERT# will be active and user can select ALERT mode from (CR02).

7.4.3.25 Fan Type Select Register -- Index 94h

Bit	Name	R/W	Default	Description
7-6	Reserved	RO	0h	Reserved for fan 4
5-4	FAN3_TYPE	R/W	1Sb	00: Output PWM mode (push pull) to control fans. 01: Use DAC mode application circuit to control fan speed by fan's power terminal. 10: Output PWM mode (open drain) to control Intel 4-wire fans. 11: Use DAC mode application circuit to control fan speed by fan's power terminal. Bit 0 default value is trapping by pin FAN3_CTRL. If pull up 10K the bit0 default value is 0, else if without pull up resistor bit0 default value will be 1(for DAC mode)
3-2	FAN2_TYPE	R/W	1Sb	00: Output PWM mode (push pull) to control fans. 01: Use DAC mode application circuit to control fan speed by fan's power terminal . 10: Output PWM mode (open drain) to control Intel 4-wire fans. 11: Use DAC mode application circuit to control fan speed by fan's power terminal. Bit 0 default value is trapping by pin FAN3_CTRL. If pull up 10K the bit0 default value is 0, else if without pull up resistor bit0 default value will be 1(for DAC mode)
1-0	FAN1_TYPE	R/W	1Sb	00: Output PWM mode (push pull) to control fans. 01: Use DAC mode application circuit to control fan speed by fan's power terminal . 10: Output PWM mode (open drain) to control Intel 4-wire fans. 11: Use DAC mode application circuit to control fan speed by fan's power terminal. Bit 0 default value is trapping by pin FAN3_CTRL. If pull up 10K the bit0 default value is 0, else if without pull up resistor bit0 default value will be 1(for DAC mode)

"S" mean default by trapping.

7.4.3.26 Fan mode Select Register -- Index 96h

Bit	Name	R/W	Default	Description
7-6	Reserved	RO	0h	Reserved for fan 4
5-4	FAN3_MODE	R/W	1h	00: Auto fan speed control, fan speed will follow different temperature by different RPM that define in 0xC6-0xCE. 01: Auto fan speed control, fan speed will follow different temperature by different duty cycle that define in 0xC6-0xCE. 10: Manual mode fan control, user can write expect RPM count to 0xC2-0xC3, and F71858 will auto control duty cycle (PWM fan type) or voltage (DAC mode type) to control fan speed. 11: Reserved

F71858

3-2	FAN2_MODE	R/W	1h	00: Auto fan speed control, fan speed will follow different temperature by different RPM that define in 0xB6-0xBE. 01: Auto fan speed control, fan speed will follow different temperature by different duty cycle (voltage) that define in 0xB6-0xBE. 10: Manual mode fan control, user can write expect RPM count to 0xB2-0xB3, and F71858 will auto control duty cycle (PWM fan type) or voltage (DAC mode type) to control fan speed. 11: Reserved
1-0	FAN1_MODE	R/W	1h	00: Auto fan speed control, fan speed will follow different temperature by different RPM that define in 0xA6-0xAE. 01: Auto fan speed control, fan speed will follow different temperature by different duty cycle that define in 0xA6-0xAE. 10: Manual mode fan control, user can write expect RPM count to 0xA2-0xA3, and F71858 will auto control duty cycle (PWM fan type) or voltage(DAC mode type) to control fan speed. 11: Reserved.

7.4.3.27 Auto Fan1 and Fan2 Boundary Hystersis Select Register -- Index 98h

Bit	Name	R/W	Default	Description
7-4	FAN2_HYS	R/W	4h	0000: Boundary hysteresis. (0~15 degree C) Segment will change when the temperature over the boundary temperature and below the (Boundary temperature– hysteresis).
3-0	FAN1_HYS	R/W	4h	0000: Boundary hysteresis. (0~15 degree C) Segment will change when the temperature over the boundary temperature and below the (Boundary temperature – hysteresis).

7.4.3.28 Auto Fan3 Boundary Hystersis Select Register -- Index 99h

Bit	Name	R/W	Default	Description
7-4	Reserved	RO	0h	Reserved for fan 4
3-0	FAN3_HYS	R/W	2h	0000: Boundary hysteresis. (0~15 degree C) Segment will change when the temperature over the boundary temperature and below the (Boundary temperature– hysteresis).

7.4.3.29 Fan1~Fan3 Duty Change Rate Select Register -- Index 9Bh

Bit	Name	R/W	Default	Description
7-6	Reserved	RO	0h	Reserved for fan 4
5-4	FAN3_RATE_SEL	R/W	1h	Fan3 duty update rate: 00: 2.5Hz 01: 5Hz (default) 10: 10Hz 11: 20Hz
3-2	FAN2_RATE_SEL	R/W	1h	Fan2 duty update rate: 00: 2.5Hz 01: 5Hz (default) 10: 10Hz 11: 20Hz
1-0	FAN1_RATE_SEL	R/W	1h	Fan1 duty update rate: 00: 2.5Hz 01: 5Hz (default) 10: 10Hz 11: 20Hz

F71858

7.4.3.30 FAN1 and FAN2 START UP DUTY-CYCLE/VOLTAGE — Index 9Ch

Bit	Name	R/W	Default	Description
7-4	FAN2_MIN_DUTY	R/W	5h	When fan start, the FAN_CTRL2 will increase duty-cycle from 0 to this (value x 8) directly. And if fan speed is down, the FAN_CTRL 2 will decrease duty-cycle to 0 when the PWM duty cycle is less than this (value x 4).
3-0	FAN1_MIN_DUTY	R/W	5h	When fan start, the FAN_CTRL 1 will increase duty-cycle from 0 to this (value x 8 directly. And if fan speed is down, the FAN_CTRL 1 will decrease duty-cycle to 0 when the PWM duty cycle is less than this (value x 4).

7.4.3.31 FAN3 START UP DUTY-CYCLE/VOLTAGE — Index 9Dh

Bit	Name	R/W	Default	Description
7-4	Reserved	RO	0h	Reserved
3-0	FAN3_MIN_DUTY	R/W	5h	When fan start, the FAN_CTRL 3 will increase duty-cycle from 0 to this (value x 8 directly. And if fan speed is down, the FAN_CTRL 3 will decrease duty-cycle to 0 when the PWM duty cycle is less than this (value x 4).

7.4.3.32 Fan Fault Time Register -- Index 9Fh

Bit	Name	R/W	Default	Description
7-4	Reserved	--	--	Reservd
3-0	F_FAULT_TIME	R/W	Ah	<p>This register determines the time of fan fault. The condition to cause fan fault event is:</p> <p>When PWM_Duty reaches FFh, if the fan speed count can't reach the fan expect count in time.</p> <p>The unit of this register is 1 second. The default value is 11 seconds. (Set to 0 , means 1 seconds. ; Set to 1, means 2 seconds. Set to 2, means 3 seconds.)</p> <p>Another condition to cause fan fault event is fan stop and the PWM duty is greater than the minimum duty programmed by the register index 97-98h.</p>

Fan1 Index A0h- AFh

Address	Attribute	Default Value	Description
A0h	RO	8'h0f	FAN1 count reading (MSB). At the moment of reading this register, the LSB will be latched. This will prevent from data updating when reading. To read the fan count correctly, read MSB first and followed read the LSB.
A1h	RO	8'hff	FAN1 count reading (LSB).
A2h	R/W	8'h00	<p>RPM mode(CR96 bit0=0): FAN1 expect speed count value (MSB), in auto fan mode (CR96 bit1→0) this register is auto updated by hardware.</p> <p>Duty mode(CR96 bit0=1): This byte is reserved byte.</p>
A3h	R/W	8'h01	<p>RPM mode(CR96 bit0=0): FAN1 expect speed count value (LSB) or expect PWM duty, in auto fan mode this register is auto updated by hardware and read only.</p> <p>Duty mode(CR96 bit0=1): The Value programming in this byte is duty value. In auto fan mode(CR96</p>

F71858

			bit1→0) this register is updated by hardware. Ex: 5→ 5*100/255 % 255 → 100%
A4h	R/W	8'h03	FAN1 full speed count reading (MSB). At the moment of reading this register, the LSB will be latched. This will prevent from data updating when reading. To read the fan count correctly, read MSB first and followed read the LSB.
A5h	R/W	8'hff	FAN1 full speed count reading (LSB).

7.4.3.33 T1 BOUNDARY 1 TEMPERATURE – Index A6h

Bit	Name	R/W	Default	Description
7	Reserved	RO	0	Return 0 when read.
6-0	BOUND1TEMP1	R/W	46h (70°C)	The 1 st BOUNDARY temperature for T1 in temperature mode. When T1 temperature is exceed this boundary, FAN1 expect value will load from segment 1 register (index AA)h. When T1 temperature is below this boundary – hysteresis, FAN1 expect value will load from segment 2 register (index AB)h.

7.4.3.34 T1 BOUNDARY 2 TEMPERATURE – Index A7h

Bit	Name	R/W	Default	Description
7	Reserved	RO	0	Return 0 when read.
6-0	BOUND2TEMP1	R/W	3C (60°C)	The 2 st BOUNDARY temperature for T1 in temperature mode. When T1 temperature is exceed this boundary, FAN1 expect value will load from segment 2 register (index AB)h. When T1 temperature is below this boundary – hysteresis, FAN1 expect value will load from segment 3 register (index ACh).

7.4.3.35 T1 BOUNDARY 3 TEMPERATURE – Index A8h

Bit	Name	R/W	Default	Description
7	Reserved	RO	0	Return 0 when read.
6-0	BOUND3TEMP1	R/W	32h (50°C)	The 3 st BOUNDARY temperature for T1 in temperature mode. When T1 temperature is exceed this boundary, FAN1 expect value will load from segment 3 register (index AC)h. When T1 temperature is below this boundary – hysteresis, FAN1 expect value will load from segment 4 register (index AD)h.

7.4.3.36 T1 BOUNDARY 4 TEMPERATURE – Index A9h

Bit	Name	R/W	Default	Description
7	Reserved	RO	0	Return 0 when read.
6-0	BOUND4TEMP1	R/W	28h (40°C)	The 4 st BOUNDARY temperature for T1 in temperature mode. When T1 temperature is exceed this boundary, FAN1 expect value will load from segment 4 register (index AD)h. When T1 temperature is below this boundary – hysteresis, FAN1 expect value will load from segment 5 register (index AE)h.

7.4.3.37 FAN1 SEGMENT 1 SPEED COUNT – Index AAh

Bit	Name	R/W	Default	Description
-----	------	-----	---------	-------------

F71858

7-0	SEC1SPEED1	R/W	FFh (100%)	The meaning of this register is depending on the FAN1_MODE(CR96) 2'b00: The value that set in this byte is the relative expect fan speed % of the full speed in this temperature section. Ex: $Expect\ speed = \left(\frac{32}{32 + value} \right) \times Full\ speed$ 100%:full speed: User must set this register to 0. 60% full speed: (100-60)*32/60, so user must program 21 to this reg. X% full speed: The value programming in this byte is → (100-X)*32/X 2'b01: The value that set in this byte is mean the expect PWM duty-cycle in this temperature section.
-----	------------	-----	---------------	---

7.4.3.38 FAN1 SEGMENT 2 SPEED COUNT – Index ABh

Bit	Name	R/W	Default	Description
7-0	SEC2SPEED1	R/W	D9h (85%)	The meaning of this register is depending on the FAN1_MODE(CR96) 2'b00: The value that set in this byte is the relative expect fan speed % of the full speed in this temperature section. 2'b01: The value that set in this byte is mean the expect PWM duty-cycle in this temperature section.

7.4.3.39 FAN1 SEGMENT 3 SPEED COUNT – Index ACh

Bit	Name	R/W	Default	Description
7-0	SEC3SPEED1	R/W	A6h (65%)	The meaning of this register is depending on the FAN1_MODE(CR96) 2'b00: The value that set in this byte is the relative expect fan speed % of the full speed in this temperature section. 2'b01: The value that set in this byte is mean the expect PWM duty-cycle in this temperature section.

7.4.3.40 FAN1 SEGMENT 4 SPEED COUNT – Index ADh

Bit	Name	R/W	Default	Description
7-0	SEC4SPEED1	R/W	80h (50%)	The meaning of this register is depending on the FAN1_MODE(CR96) 2'b00: The value that set in this byte is the relative expect fan speed % of the full speed in this temperature section. 2'b01: The value that set in this byte is mean the expect PWM duty-cycle in this temperature section.

7.4.3.41 FAN1 SEGMENT 5 SPEED COUNT – Index AEh

Bit	Name	R/W	Default	Description
7-0	SEC5SPEED1	R/W	66h (40%)	The meaning of this register is depending on the FAN1_MODE(CR96) 2'b00: The value that set in this byte is the relative expect fan speed % of the full speed in this temperature section. 2'b01: The value that set in this byte is mean the expect PWM duty-cycle in this temperature section.

7.4.3.42 FAN1 Temperature Mapping Select – Index AFh

Bit	Name	R/W	Default	Description
7	FAN1_LD_BEFORE_EN	R/W	0	Set 1 that fan speed will keep current temp. status before system re-boot up.
6	FAN1_NO_STOP	R/W	0	Set 1 that FAN1 will not stop but keep at FAN1_MIN_DUTY x 4.

F71858

5	FAN1_UP_T_EN	R/W	0	Set 1 to force FAN1 to the highest speed if any temperature over its high limit.
4	FAN1_INTERPOLATION_EN	R/W	0	Set 1 will enable the interpolation of the fan expect table. (Auto Linear Mode)
3	FAN1_JUMP_HIGH_EN	R/W	1	Set 1 that FAN1 speed will jump to FAN1 SEGMENT 1 SPEED when temperature over T1 Boundary 1. Set 0 that FAN1 speed will raise up to FAN1 SEGMENT 1 SPEED by slop value(CR9B) when temperature over T1 Boundary 1.
2	FAN1_JUMP_LOW_EN	R/W	1	Set 1 that FAN1 speed will jump to FAN1 SEGMENT 2 SPEED when temperature under FAN1 Boundary Hystersis. Set 0 that FAN1 speed will decrease to FAN1 SEGMENT 2 SPEED by slop value(CR9B) when temperature under FAN1 Boundary Hystersis.
1-0	FAN1_TEMP_SEL	R/W	1	0: fan1 follows local temperature 0. 1: fan1 follows temperature 1. 2: fan1 follows temperature 2. 3: fan1 doesn't follow and temperature, that means the auto mode function will be disabled.

Fan2 Index B0h- BFh

Address	Attribute	Default Value	Description
B0h	RO	8'h0f	FAN2 count reading (MSB). At the moment of reading this register, the LSB will be latched. This will prevent from data updating when reading. To read the fan count correctly, read MSB first and followed read the LSB.
B1h	RO	8'hff	FAN2 count reading (LSB).
B2h	R/W	8'h00	RPM mode(CR96 bit2=0): FAN2 expect speed count value (MSB), in auto fan mode(CR96 bit3→0) this register is auto updated by hardware. Duty mode(CR96 bit2=1): This byte is reserved byte.
B3h	R/W	8'h01	RPM mode(CR96 bit2=0): FAN2 expect speed count value (LSB) or expect PWM duty , in auto fan mode this register is auto updated by hardware and read only. Duty mode(CR96 bit2=1): The Value programming in this byte is duty value. In auto fan mode(CR96 bit3→0) this register is updated by hardware. Ex: 5→ 5*100/255 % 255 → 100%
B4h	R/W	8'h03	FAN2 full speed count reading (MSB). At the moment of reading this register, the LSB will be latched. This will prevent from data updating when reading. To read the fan count correctly, read MSB first and followed read the LSB.
B5h	R/W	8'hff	FAN2 full speed count reading (LSB).

7.4.3.43 T2 BOUNDARY 1 TEMPERATURE – Index B6h

Bit	Name	R/W	Default	Description
7	Reserved	RO	0	Return 0 when read.
6-0	BOUND1TEMP2	R/W	46h (70°C)	The 1 st BOUNDARY temperature for T2 in temperature mode. When T2 temperature is exceed this boundary, FAN2 expect value will load from segment 1 register (index BA)h. When T2 temperature is below this boundary – hysteresis, FAN2 expect value will load from segment 2 register (index BA)h.

7.4.3.44 T2 BOUNDARY 2 TEMPERATURE – Index B7h

Bit	Name	R/W	Default	Description
7	Reserved	RO	0	Return 0 when read.
6-0	BOUND2TEMP2	R/W	3C (60°C)	The 2 st BOUNDARY temperature for T2 in temperature mode. When T2 temperature is exceed this boundary, FAN2 expect value will load from segment 2 register (index BB)h. When T2 temperature is below this boundary – hysteresis, FAN2 expect value will load from segment 3 register (index BB)h.

7.4.3.45 T2 BOUNDARY 3 TEMPERATURE – Index B8h

Bit	Name	R/W	Default	Description
7	Reserved	RO	0	Return 0 when read.
6-0	BOUND3TEMP2	R/W	32h (50°C)	The 3 st BOUNDARY temperature for T2 in temperature mode. When T2 temperature is exceed this boundary, FAN2 expect value will load from segment 3 register (index BC)h. When T2 temperature is below this boundary – hysteresis, FAN2 expect value will load from segment 4 register (index BCh).

7.4.3.46 T2 BOUNDARY 4 TEMPERATURE – Index B9h

Bit	Name	R/W	Default	Description
7	Reserved	RO	0	Return 0 when read.
6-0	BOUND4TEMP2	R/W	28h (40°C)	The 4 st BOUNDARY temperature for T2 in temperature mode. When T2 temperature is exceed this boundary, FAN2 expect value will load from segment 4 register (index BD)h. When T2 temperature is below this boundary – hysteresis, FAN2 expect value will load from segment 5 register (index BD)h.

7.4.3.47 FAN2 SEGMENT 1 SPEED COUNT – Index BAh

Bit	Name	R/W	Default	Description
7-0	SEC1SPEED2	R/W	FFh (100%)	The meaning of this register is depending on the FAN_MODE(CR96) 2'b00 : The value that set in this byte is the relative expect fan speed % of the full speed in this temperature section. $Expect\ speed = \left(\frac{32}{32 + value} \right) \times Full\ speed$ 100%:full speed: User must set this register to 0. 60% full speed: (100-60)*32/60, so user must program 21 to this reg. X% full speed: The value programming in this byte is → (100-X)*32/X 2'b01 : The value that set in this byte is mean the expect PWM duty-cycle in this temperature section.

7.4.3.48 FAN2 SEGMENT 2 SPEED COUNT – Index BBh

Bit	Name	R/W	Default	Description
7-0	SEC2SPEED2	R/W	D9h (85%)	The meaning of this register is depending on the FAN_MODE(CR96) 2'b00 : The value that set in this byte is the relative expect fan speed % of the full speed in this temperature section. 2'b01 : The value that set in this byte is mean the expect PWM duty-cycle in this temperature section.

7.4.3.49 FAN2 SEGMENT 3 SPEED COUNT – Index BCh

Bit	Name	R/W	Default	Description
7-0	SEC3SPEED2	R/W	A6h (65%)	The meaning of this register is depending on the FAN_MODE(CR96) 2'b00 : The value that set in this byte is the relative expect fan speed % of the full speed in this temperature section. 2'b01 : The value that set in this byte is mean the expect PWM duty-cycle in this temperature section.

7.4.3.50 FAN2 SEGMENT 4 SPEED COUNT – Index BDh

Bit	Name	R/W	Default	Description
7-0	SEC4SPEED2	R/W	80h (50%)	The meaning of this register is depending on the FAN_MODE(CR96) 2'b00 : The value that set in this byte is the relative expect fan speed % of the full speed in this temperature section. 2'b01 : The value that set in this byte is mean the expect PWM duty-cycle in this temperature section.

7.4.3.51 FAN2 SEGMENT 5 SPEED COUNT – Index BEh

Bit	Name	R/W	Default	Description
7-0	SEC5SPEED2	R/W	66h (40%)	The meaning of this register is depending on the FAN_MODE(CR96) 2'b00 : The value that set in this byte is the relative expect fan speed % of the full speed in this temperature section. 2'b01 : The value that set in this byte is mean the expect PWM duty-cycle in this temperature section.

7.4.3.52 FAN2 Temperature Mapping Select – Index BFh

Bit	Name	R/W	Default	Description
7	FAN2_LD_BEFORE_EN	R/W	0	Set 1 that fan speed will keep current temp. status before system re-boot up.
6	FAN2_NO_STOP	R/W	0	Set 1 that FAN2 will not stop but keep at FAN2_MIN_DUTY x 4.
5	FAN2_UP_T_EN	R/W	0	Set 1 to force FAN2 to the highest speed if any temperature over its high limit.
4	FAN2_INTERPOLATION_EN	R/W	0	Set 1 will enable the interpolation of the fan expect table. (Auto Linear Mode)
3	FAN2_JUMP_HIGH_EN	R/W	1	Set 1 that FAN2 speed will jump to Fan2 SEGMENT 1 SPEED when temperature over T2 Boundary 1. Set 0 that FAN2 speed will raise up to Fan2 SEGMENT 1 SPEED by slop value(CR9B) when temperature over T2 Boundary 1.
2	FAN2_JUMP_LOW_EN	R/W	1	Set 1 that FAN2 speed will jump to Fan2 SEGMENT 2 SPEED when temperature under FAN2 Boundary Hystersis. Set 0 that FAN2 speed will decrease to Fan2 SEGMENT 2 SPEED by slop value(CR9B) when temperature under FAN2 Boundary Hystersis.
1-0	FAN2_TEMP_SEL	R/W	2	0: fan2 follows local temperature 0. 1: fan2 follows temperature 1. 2: fan2 follows temperature 2. 3: fan2 doesn't follow and temperature, that means the auto mode function will be disabled.

Fan3 Index C0h- CFh

F71858

Address	Attribute	Default Value	Description
C0h	RO	8'h0F	FAN3 count reading (MSB). At the moment of reading this register, the LSB will be latched. This will prevent from data updating when reading. To read the fan count correctly, read MSB first and followed read the LSB.
C1h	RO	8'hff	FAN3 count reading (LSB).
C2h	R/W	8'h00	RPM mode(CR96 bit4=0): FAN3 expect speed count value (MSB), in auto fan mode(CR96 bit5→0) this register is auto updated by hardware. Duty mode(CR96 bit4=1): This byte is reserved byte.
C3h	R/W	8'h01	RPM mode(CR96 bit4=0): FAN3 expect speed count value (LSB) or expect PWM duty , in auto fan mode this register is auto updated by hardware and read only. Duty mode(CR96 bit4=1): The Value programming in this byte is duty value. In auto fan mode(CR96 bit5→0) this register is updated by hardware. Ex: 5→ 5*100/255 % 255 → 100%
C4h	R/W	8'h03	FAN3 full speed count reading (MSB). At the moment of reading this register, the LSB will be latched. This will prevent from data updating when reading. To read the fan count correctly, read MSB first and followed read the LSB.
C5h	R/W	8'hff	FAN3 full speed count reading (LSB).

7.4.3.53 T0 BOUNDARY 1 TEMPERATURE – Index C6h

Bit	Name	R/W	Default	Description
7	Reserved	RO	0	Return 0 when read.
6-0	BOUND1TEMP3	R/W	46h (70°C)	The 1 st BOUNDARY temperature for T0 in temperature mode. When T0 temperature is exceed this boundary, FAN3 expect value will load from segment 1 register (index CA)h. When T0 temperature is below this boundary – hysteresis, FAN3 expect value will load from segment 2 register (index CAh).

7.4.3.54 T0 BOUNDARY 2 TEMPERATURE – Index C7h

Bit	Name	R/W	Default	Description
7	Reserved	RO	0	Return 0 when read.
6-0	BOUND2TEMP3	R/W	3C (60°C)	The 2 st BOUNDARY temperature for T0 in temperature mode. When T0 temperature is exceed this boundary, FAN3 expect value will load from segment 2 register (index CB)h. When T0 temperature is below this boundary – hysteresis, FAN3 expect value will load from segment 3 register (index CBh).

7.4.3.55 T0 BOUNDARY 3 TEMPERATURE – Index C8h

Bit	Name	R/W	Default	Description
7	Reserved	RO	0	Return 0 when read.
6-0	BOUND3TEMP3	R/W	32h (50°C)	The 3 st BOUNDARY temperature for T0 in temperature mode. When T0 temperature is exceed this boundary, FAN3 expect value will load from segment 3 register (index CC)h. When T0 temperature is below this boundary – hysteresis, FAN3 expect value will load from segment 4 register (index CCh).

7.4.3.56 T0 BOUNDARY 4 TEMPERATURE – Index C9h

Bit	Name	R/W	Default	Description
7	Reserved	RO	0	Return 0 when read.
6-0	BOUND4TEMP3	R/W	28h (40°C)	The 4 st BOUNDARY temperature for T0 in temperature mode. When T0 temperature is exceed this boundary, FAN3 expect value will load from segment 4 register (index CDh). When T0 temperature is below this boundary – hysteresis, FAN3 expect value will load from segment 5 register (index CDh).

7.4.3.57 FAN3 SEGMENT 1 SPEED COUNT – Index CAh

Bit	Name	R/W	Default	Description
7-0	SEC1SPEED3	R/W	FFh (100%)	The meaning of this register is depending on the FAN_MODE(CR96) 2'b00: The value that set in this byte is the relative expect fan speed % of the full speed in this temperature section. $Expect\ speed = \left(\frac{32}{32 + value} \right) \times Full\ speed$ 100%:full speed: User must set this register to 0. 60% full speed: (100-60)*32/60, so user must program 21 to this reg. X% full speed: The value programming in this byte is → (100-X)*32/X 2'b01: The value that set in this byte is mean the expect PWM duty-cycle in this temperature section.

7.4.3.58 FAN3 SEGMENT 2 SPEED COUNT – Index CBh

Bit	Name	R/W	Default	Description
7-0	SEC2SPEED3	R/W	D9h (85%)	The meaning of this register is depending on the FAN_MODE(CR96) 2'b00: The value that set in this byte is the relative expect fan speed % of the full speed in this temperature section. 2'b01: The value that set in this byte is mean the expect PWM duty-cycle in this temperature section.

7.4.3.59 FAN3 SEGMENT 3 SPEED COUNT – Index CCh

Bit	Name	R/W	Default	Description
7-0	SEC3SPEED3	R/W	A6h (65%)	The meaning of this register is depending on the FAN_MODE(CR96) 2'b00: The value that set in this byte is the relative expect fan speed % of the full speed in this temperature section. 2'b01: The value that set in this byte is mean the expect PWM duty-cycle in this temperature section.

7.4.3.60 FAN3 SEGMENT 4 SPEED COUNT – Index CDh

Bit	Name	R/W	Default	Description
7-0	SEC4SPEED3	R/W	80h (50%)	The meaning of this register is depending on the FAN_MODE(CR96) 2'b00: The value that set in this byte is the relative expect fan speed % of the full speed in this temperature section. 2'b01: The value that set in this byte is mean the expect PWM duty-cycle in this temperature section.

F71858

7.4.3.61 FAN3 SEGMENT 5 SPEED COUNT – Index CEh

Bit	Name	R/W	Default	Description
7-0	SEC5SPEED3	R/W	66h (40%)	The meaning of this register is depending on the FAN_MODE(CR96) 2'b00 : The value that set in this byte is the relative expect fan speed % of the full speed in this temperature section. 2'b01 : The value that set in this byte is mean the expect PWM duty-cycle in this temperature section.

7.4.3.62 FAN3 Temperature Mapping Select – Index CFh

Bit	Name	R/W	Default	Description
7	FAN3_LD_BEFORE_EN	R/W	0	Set 1 that fan speed will keep current temp. status before system re-boot up.
6	FAN3_NO_STOP	R/W	0	Set 1 that FAN3 will not stop but keep at FAN3_MIN_DUTY x 4.
5	FAN3_UP_T_EN	R/W	0	Set 1 to force FAN3 to the highest speed if any temperature over its high limit.
4	FAN3_INTERPOLATION_EN	R/W	0	Set 1 will enable the interpolation of the fan expect table. (Auto Linear Mode)
3	FAN3_JUMP_HIGH_EN	R/W	1	Set 1 that FAN3 speed will jump to Fan3 SEGMENT 1 SPEED when temperature over T0 Boundary 1. Set 0 that FAN3 speed will raise up to Fan3 SEGMENT 1 SPEED by slop value(CR9B) when temperature over T0 Boundary 1.
2	FAN3_JUMP_LOW_EN	R/W	1	Set 1 that FAN3 speed will jump to Fan3 SEGMENT 2 SPEED when temperature under FAN3 Boundary Hystersis. Set 0 that FAN3 speed will decrease to Fan3 SEGMENT 2 SPEED by slop value(CR9B) when temperature under FAN3 Boundary Hystersis.
1-0	FAN3_TEMP_SEL	R/W	0	0: fan3 follows local temperature 0. 1: fan3 follows temperature 1. 2: fan3 follows temperature 2. 3: fan3 doesn't follow and temperature, that means the auto mode function will be disabled.

Fan4 Index D0h- D1h

Address	Attribute	Default Value	Description
D0h	RO	8'h0F	FAN4 count reading (MSB). At the moment of reading this register, the LSB will be latched. This will prevent from data updating when reading. To read the fan count correctly, read MSB first and followed read the LSB.
D1h	RO	8'hff	FAN4 count reading (LSB).

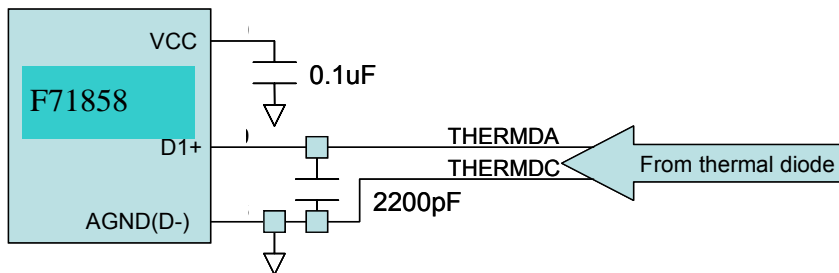
8. PCB Layout Guide

F71858 adopts **Current Mode** measure method to do temperature detected. The measure data will not be affected by different process of CPU due to use current mode technology. This

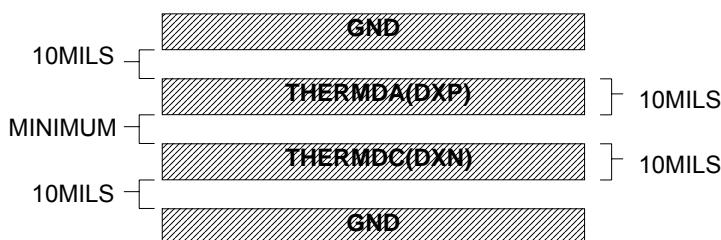
F71858

technology measures mini-voltage from the remote sensor so a good PCB layout must be cared about noise minimizing. The noises often come from circuit trace which is a track from remote sensor (CPU side) to detect circuit input (F71858 side). The signal on this track will be inducted mini-noises when it passes through a high electromagnetic area. Those effects will result in the mini-noises and show in the detected side. It will be reported a wrong data which you want to measure. Please pay attention and follow up the check list below in order to get an actual and real temperature inside the chip.

1. The D1+/D2+ and AGND (D-) tracks **Must Not** pass through/by PWM POWER-MOS. Keep as far as possible from POWER MOS.
2. Place a 0.1 μ F bypass capacitor close to the V_{CC} pin. Place an external 2200pF input filter capacitors across D+, D- and close to the F71858. Near the pin AGND (D-) **Must Be** placed a through hole into the GND Plane before connect to the external 2200pF capacitor.



3. Place the F71858 as close as practical to the remote sensor diode. In noisy environments, such as a computer main-board, the distance can be 4 to 8 inches. (typ). This length can be increased if the worst noise sources are avoided. Noise sources generally include clock generators, CRTs, memory buses and PCI/ISA bus etc.
4. Separated route the D1+, D2+ with AGND (D-) tracks close together and in parallel after adding external 2200pF capacitor. For more reliable, it had better with grounded guard tracks on each side. Provide a ground plane under the tracks if possible. Do not route D+ & D- lines next to the deflection coil of the CRT. And also don't route the trace across fast digital signals which can easily induce bigger error.



F71858

5. Use wide tracks to minimize inductance and reduce noise pickup. 10 mil track minimum width and spacing is recommended.
6. Try to minimize the number of component/solder joints, called through hole, which can cause thermocouple effects. Where through holes are used, make sure that they are in both the D+ and D- path and at the same temperature. Thermocouple effects should not be a major problem as 1 corresponds to about 200 μ V. It means that a copper-solder thermocouple exhibits 3 μ V/ , and takes about 200 μ V of the voltage error at D+ & D- to cause a 1 measurement error. Adding a few thermocouples causes a negligible error.
7. If the distance to the remote sensor is more than 8 inches, the use of twisted pair cable is recommended. It will work up to around 6 to 12 feet.

Because the measurement technique uses switched current sources, excessive cable and/or filter capacitance will affect the measurement accuracy. When using long cables, the filter capacitor should be reduced or removed. Cable resistance can also induce errors. For example: 1 Ω series resistance introduces about 0.5 error.

9. Electrical Characteristics

9.1 Absolute Maximum Ratings

PARAMETER	RATING	UNIT
Power Supply Voltage	-0.5 to 5.0	V
Input Voltage	-0.5 to VCC+0.5	V

F71858

Operating Temperature	0 to +70	° C
Storage Temperature	-55 to 150	° C

Note: Exposure to conditions beyond those listed under Absolute Maximum Ratings may adversely affect the life and reliability of the device

9.2 DC Characteristics

(Ta = 0° C to 70° C, VCC = 3.3V ± 10% , VSS = 0V)

PARAMETER	RATING	
Operating Voltage	3.0 to 3.6	VCC/VS _B
Operating Voltage	2.4 to 3.6	VBAT

9.3 DC Characteristics Continued

(Ta = 0° C to 70° C, VCC = 3.3V ± 10%, VSS = 0V)

PARAMETER	SYM.	MIN	TYP	MAX.	UNIT	CONDITIONS
I/O_{12t} - TTL level bi-directional pin with 12 mA source-sink capability(3.3V)						
Input Low Voltage	VIL	-0.5		0.8	V	
Input High Voltage	VIH	2.0		VCC+ 0.3	V	
Output Low Current	IOL		12		mA	0.4V
Output High Current	IOH		12		mA	2.4V
Input High Leakage	ILIH	-1		1	μA	
Input Low Leakage	ILIL	-1		1	μA	
I/OD_{16t-5V} - TTL level bi-directional pin with 16 mA source-sink capability(3.3V), 5 tolerance						
Input Low Voltage	VIL	-0.5		0.8	V	
Input High Voltage	VIH	2.0		VCC+ 0.3	V	
Output Low Current	IOL		12		mA	0.4V
Input High Leakage	ILIH	-1		1	μA	
Input Low Leakage	ILIL	-1		1	μA	
OD₁₂ – Open-drain output pin with 12mA source-sink capability(3.3V)						
Output Low Current			12		Ma	0.4V
OD_{12-5V} – Open-drain output pin with 12mA source-sink capability(3.3V), 5 tolerance						
Output Low Current			12		Ma	0.4V
OD_{16-u10,5V} – Open-drain output pin with 12mA source-sink capability(3.3V), 5 tolerance, 10k pull high						
Output Low Current			12		Ma	0.4V
IN_{ts} – TTL level input pin and schmitt trigger						
Input Low Threshold Voltage				0.8	V	
Input High Threshold Voltage	2.0				V	
Hysteresis		0.5			V	
Input High Leakage				+1	μA	
Input Low Leakage	-1				μA	
IN_{ts-5V} – TTL level input pin and schmitt trigger, 5 tolerance						
Input Low Threshold Voltage				0.8	V	
Input High Threshold Voltage	2.0				V	
Hysteresis		0.5			V	
Input High Leakage				+1	μA	

Input Low Leakage	-1				μA	
-------------------	----	--	--	--	---------------	--

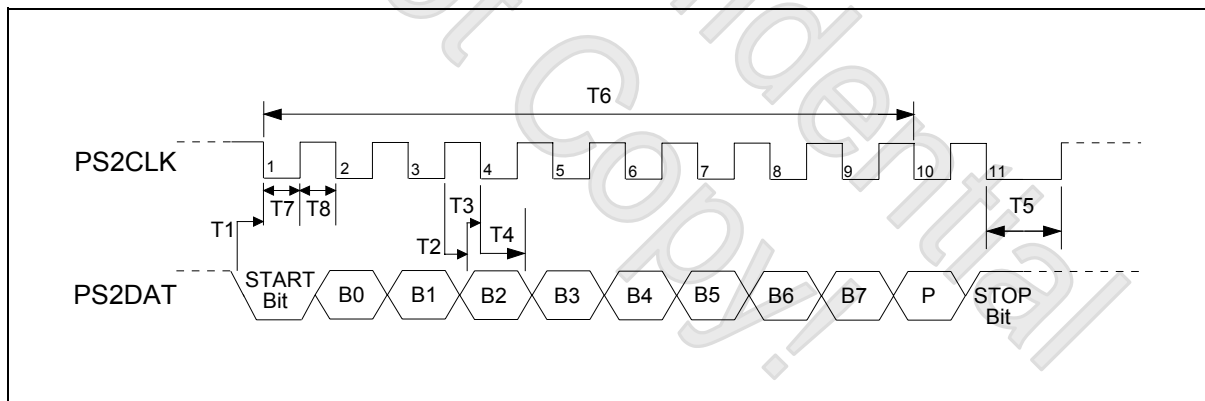
9.4 AC Characteristics

9.4.1 PS/2 Interface

NO.	DESCRIPTION	MIN.	MAX.	UNIT
T1	Duration of start of receive	5	25	μS
T2	Data valid after falling edge of PS2CLK	5	T8 - 5	μS
T3	PS2DAT setup time to falling edge of PS2CLK	1		μS
T4	PS2DAT hold time from falling edge of PS2CLK	5	95	μS
T5	Duration of inhibit PS/2 device	>0		μS
T6	Duration of Data Frame		2	mS
T7	Duration of PS2CLK inactive	30	50	μS
T8	Duration of PS2CLK active	30	50	μS
T9	Duration of PS/2 device inhibit	100	300	μS
T10	Duration of start of transmit		15	mS
T11	Data valid after falling edge of PS2CLK		4	μS
T12	PS2DAT setup time to rising edge of PS2CLK	1		μS
T13	PS2DAT hold time from rising edge of PS2CLK	5	95	μS

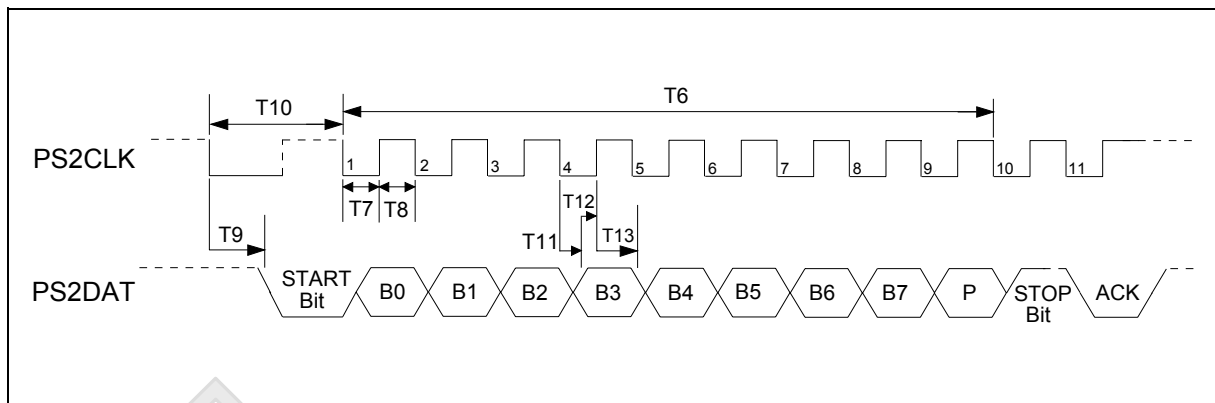
PS/2 interface timing table

Data Received from PS/2 Device



Host received from PS/2 interface timing diagram

Data Sent to PS/2 Device



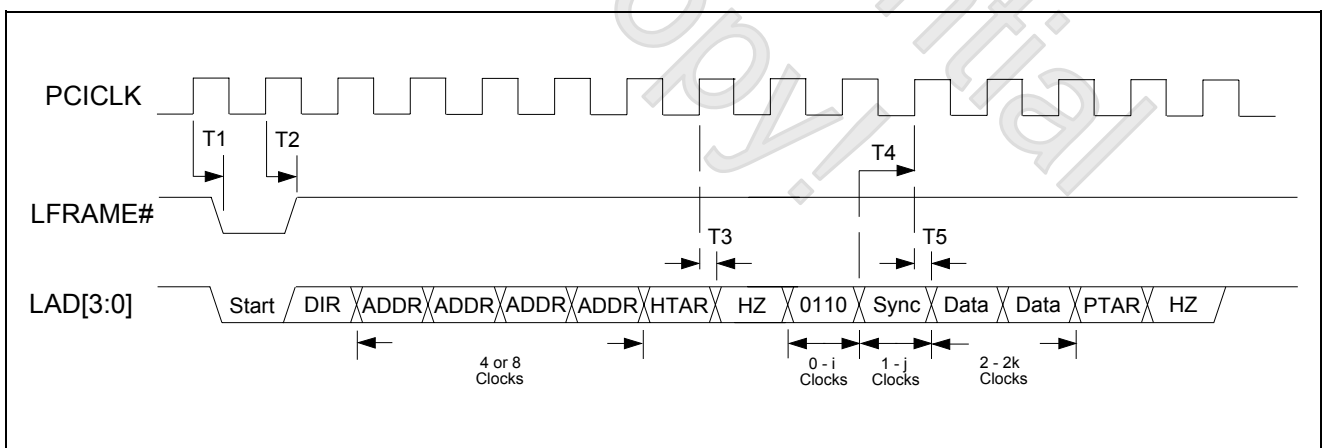
Host Send to PS/2 device timing diagram

9.4.2 LPC Interface

NO.	DESCRIPTION	MIN.	MAX.	UNIT
T1	LFRAME# drive low after rising edge of PCICLK	2	12	nS
T2	LFRAME# drive high after rising edge of PCICLK	2	12	nS
T3	LDA[3:0] floating after rising edge of PCICLK		28	nS
T4	LDA[3:0] setup time to rising edge of PCICLK	7		nS
T5	LDA[3:0] hold time from rising edge of PCICLK	0		nS
T6	Period of PCICLK	27	33	nS
T7	Duration of PCICLK low	12		nS
T8	Duration of PCICLK high	12		nS

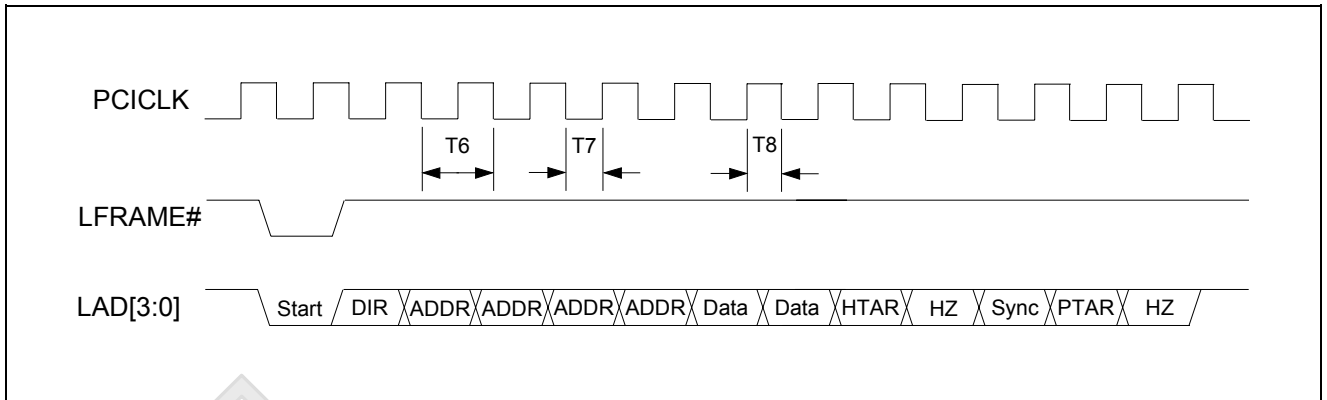
LPC interface timing table

Typical Timing for Host Read

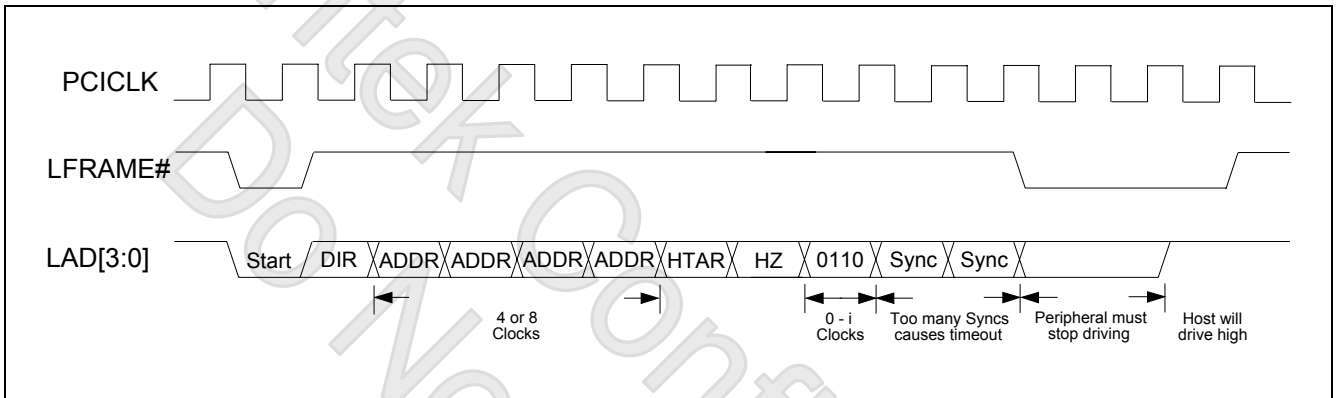


Host read timing diagram

Typical Timing for Host Write



Host write timing diagram

Timing for Abort Mechanism


Host abort timing diagram

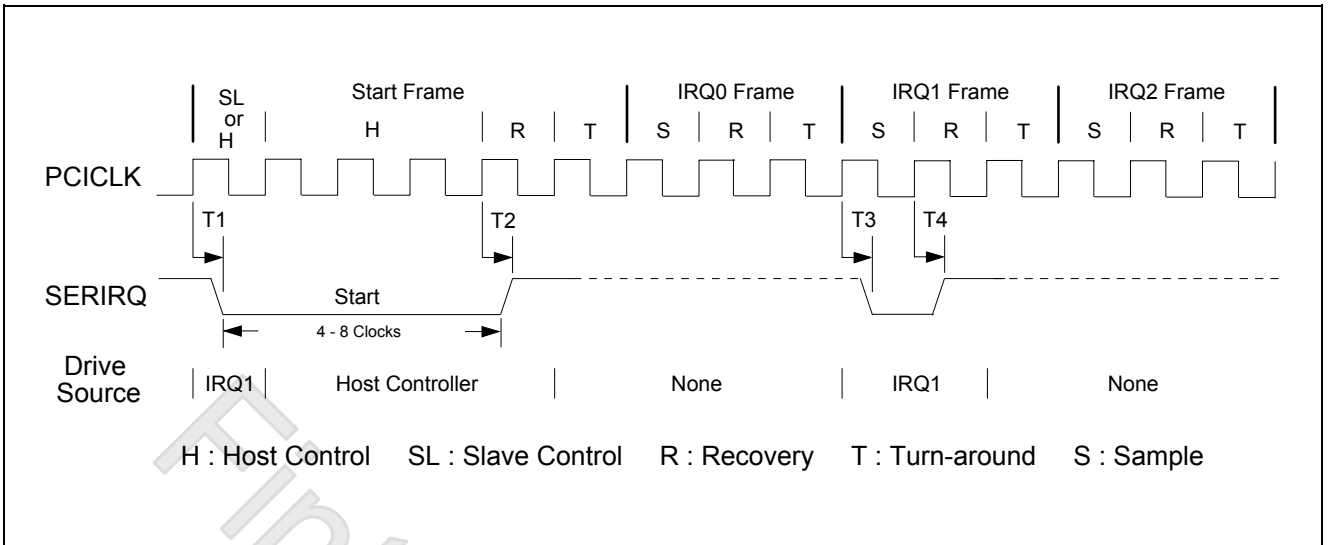
9.4.3 Serialized IRQ Interface

NO.	DESCRIPTION	MIN.	MAX.	UNIT
T1	Host drive SERIRQ low after rising edge of PCICLK	2	12	nS
T2	Host drive SERIRQ high after rising edge of PCICLK	2	12	nS
T3	Slave drive SERIRQ low after rising edge of PCICLK	2	12	nS
T4	Slave drive SERIRQ high after rising edge of PCICLK	2	12	nS
T5	Period of PCICLK	27	33	nS
T6	Duration of PCICLK low	12		nS
T7	Duration of PCICLK high	12		nS

SIRQ interface timing table

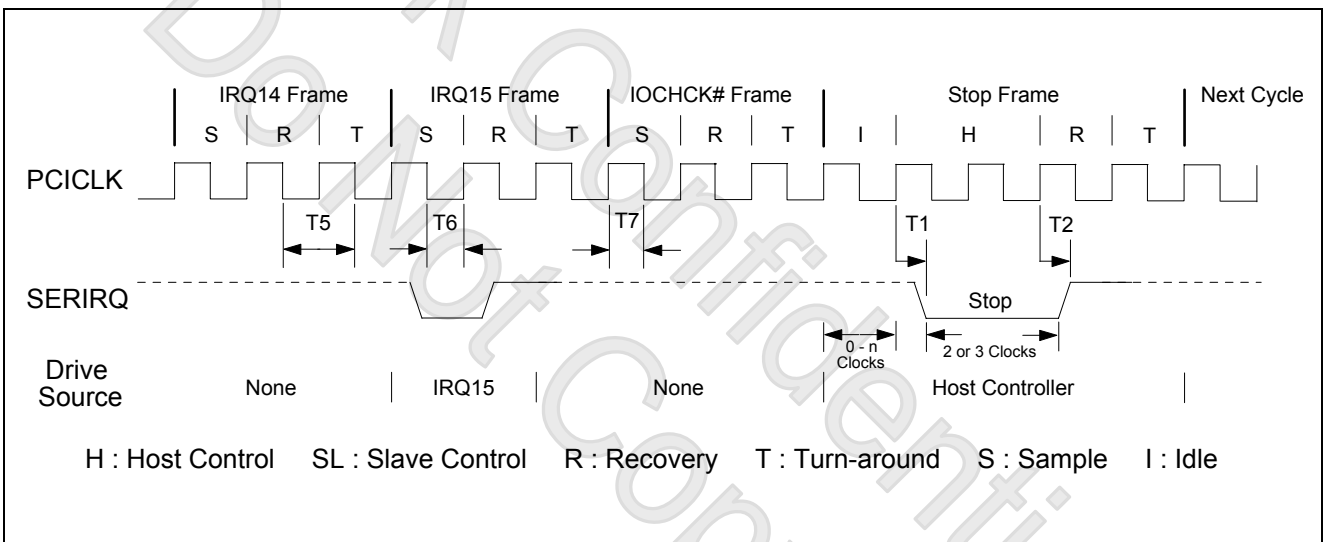
Start Frame Timing

F71858



SIRQ start frame timing diagram

Stop Frame Timing

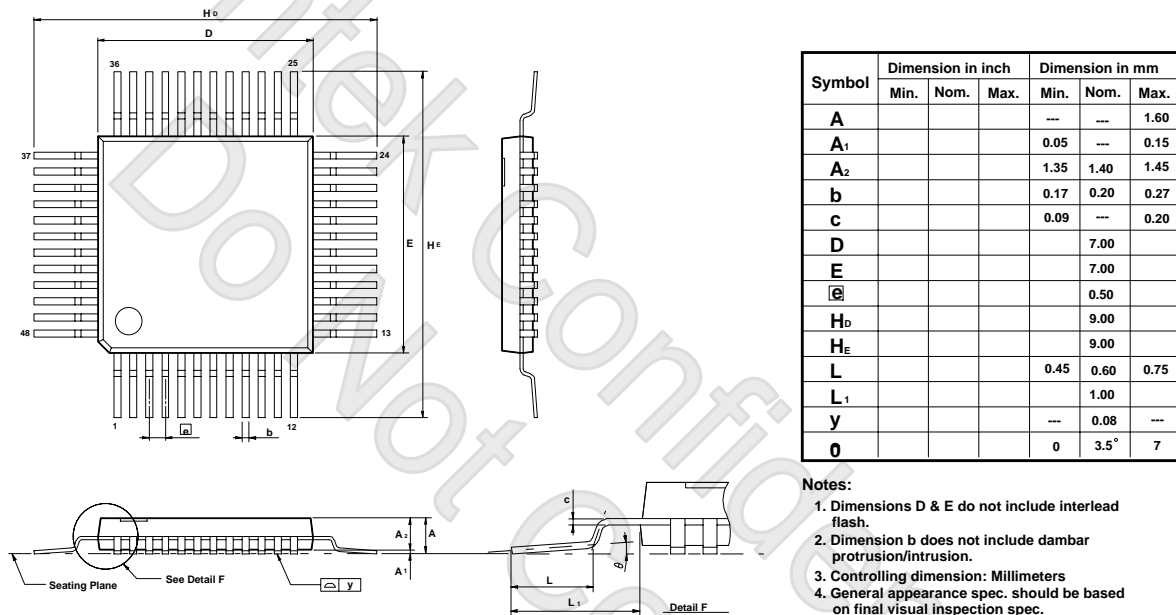


SIRQ stop frame timing diagram

10. Ordering Information

Part Number	Package Type	Production Flow
F71858DG	48-LQFP (Green Package)	Commercial, 0°C to +70°C

11. Package Dimensions (48LQFP)


Headquarters

3F-7, No 36, Tai Yuan St.,

Chupei City, Hsinchu, Taiwan 302, R.O.C.

TEL : 886-3-5600168

FAX : 886-3-5600166

Taipei Office

Bldg. K4, 7F, No.700, Chung Cheng Rd.,

Chungo City, Taipei, Taiwan 235, R.O.C.

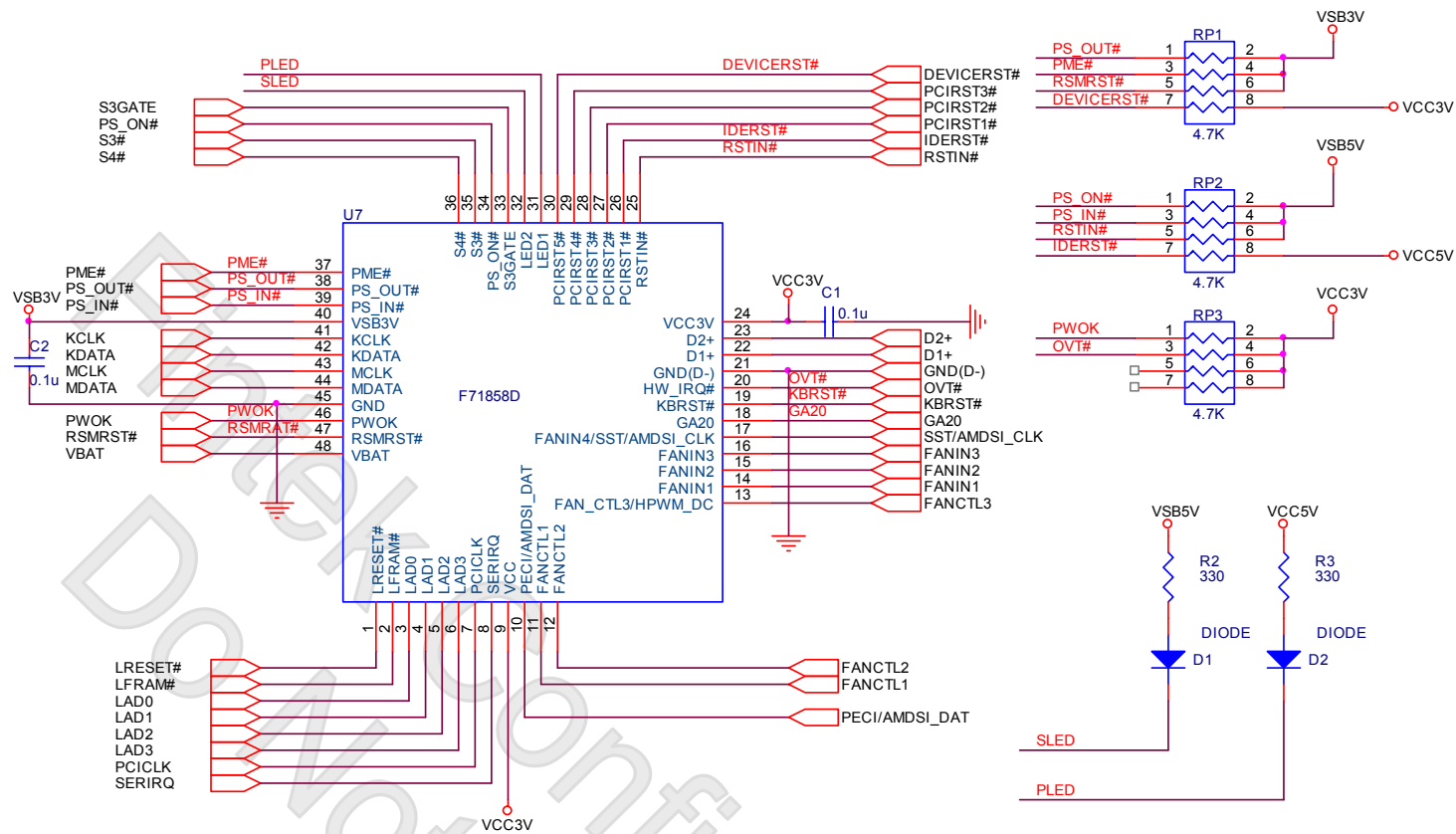
TEL : 866-2-8227-8027

FAX : 866-2-8227-8037

Please note that all datasheet and specifications are subject to change without notice. All the trade marks of products and companies mentioned in this datasheet belong to their respective owner

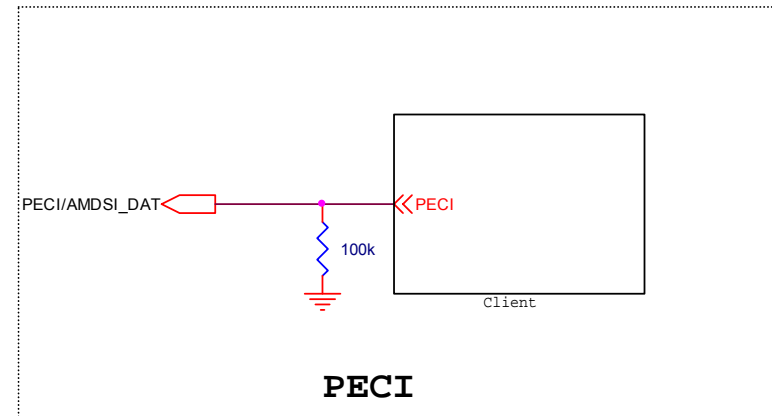
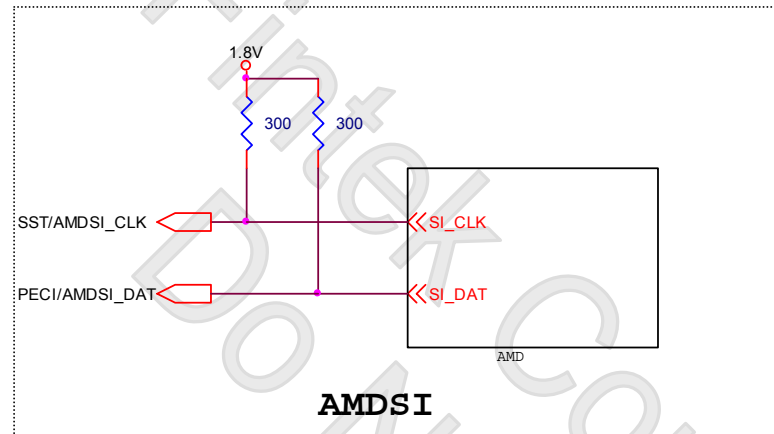
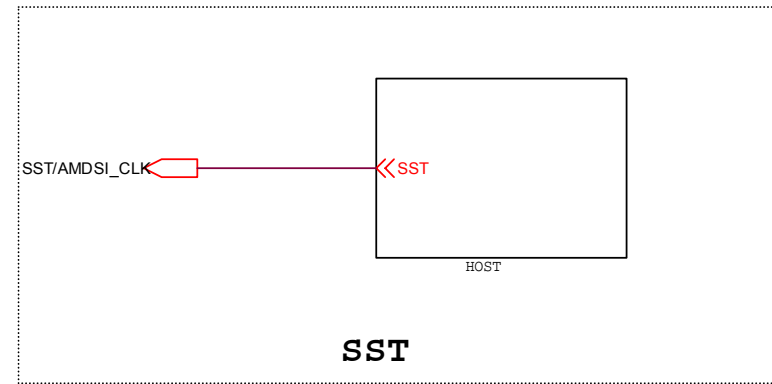
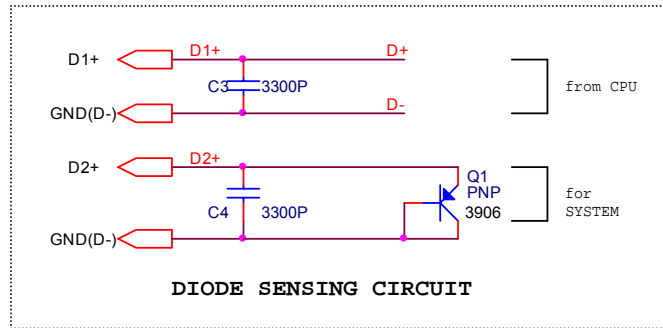
F71858

12.Application Circuit



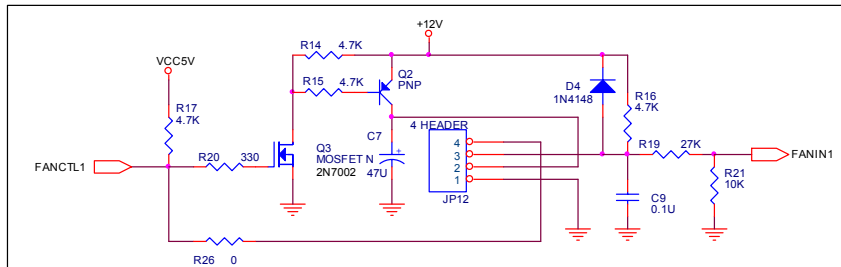
Title		
F71858DG		
Size	Document Number	Rev
A	F71858DG	0.21
Date:	Tuesday, December 19, 2006	Sheet 1 of 3

F71858

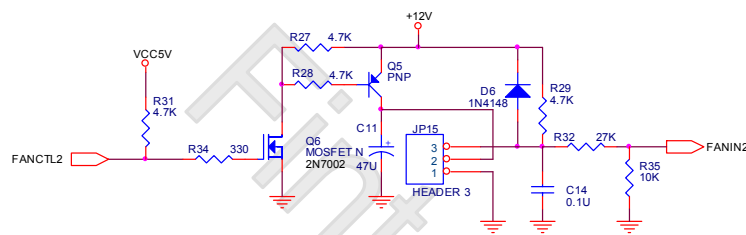


Title		
Temperature		
Size	Document Number	Rev
A	F71858DG	0.21
Date:	Tuesday, December 19, 2006	Sheet 2 of 3

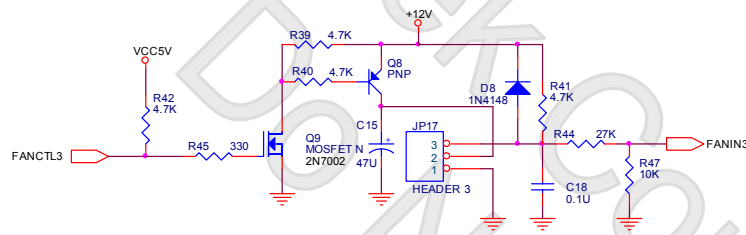
F71858



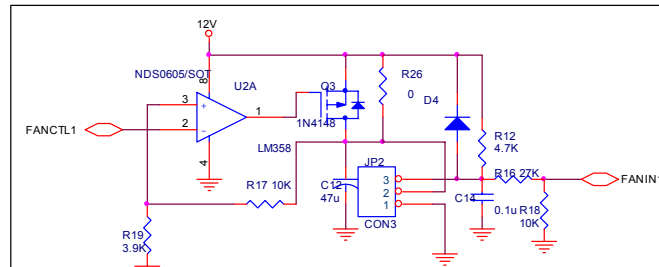
(4 PIN FAN Control) PWM FAN 1 SPEED CONTROL



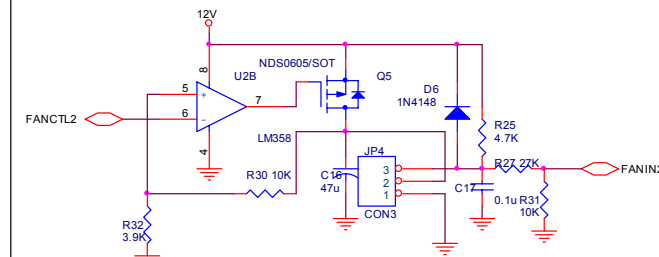
PWM FAN 2 SPEED CONTROL



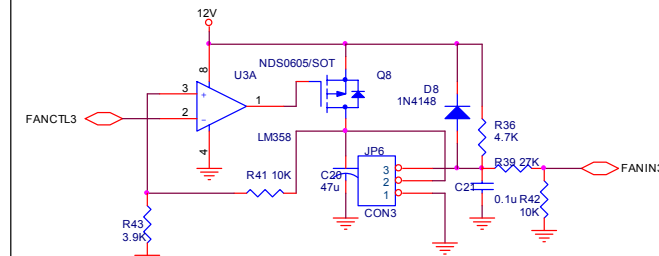
PWM FAN 3 SPEED CONTROL

FAN CONTROL FOR PWM OR DC


DC FAN Control with OP 1



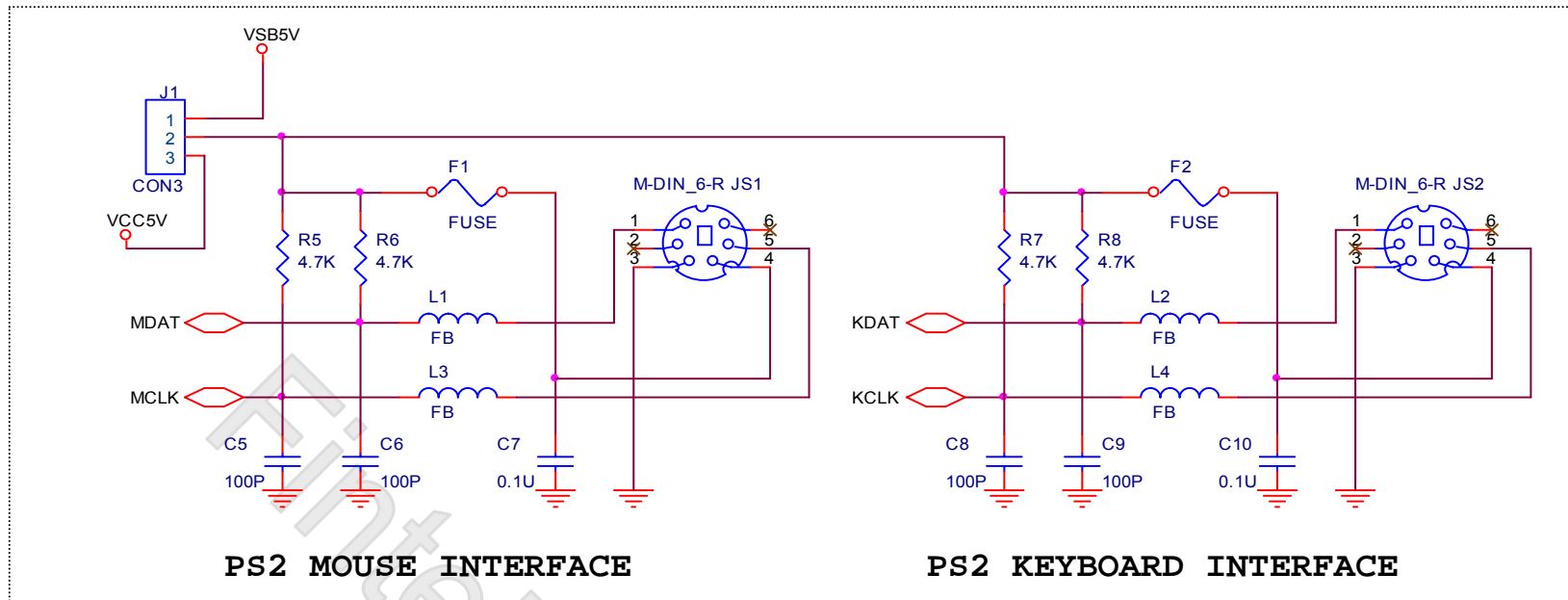
DC FAN Control with OP 2



DC FAN Control with OP 3

Title		
FAN circuit		
Size	Document Number	Rev
B	F71858DG	0.21
Date:	Tuesday, December 19, 2006	Sheet 3 of 3

F71858



Title		
KBC		
Size	Document Number	Rev
A	F71858DG	0.21
Date:	Tuesday, December 19, 2006	Sheet 1 of 1