

FUJI Power Supply Control IC

General PWM-IC

FA5604/5605/5606

Application Note

April-2011
Fuji Electric Co.,Ltd.

WARNING

1. This Data Book contains the product specifications, characteristics, data, materials, and structures as of April 2011. The contents are subject to change without notice for specification changes or other reasons. When using a product listed in this Data Book, be sure to obtain the latest specifications.
2. All applications described in this Data Book exemplify the use of Fuji's products for your reference only. No right or license, either express or implied, under any patent, copyright, trade secret or other intellectual property right owned by Fuji Electric Co., Ltd. is (or shall be deemed) granted. Fuji makes no representation or warranty, whether express or implied, relating to the infringement or alleged infringement of other's intellectual property rights which may arise from the use of the applications described herein.
3. Although Fuji Electric is enhancing product quality and reliability, a small percentage of semiconductor products may become faulty. When using Fuji Electric semiconductor products in your equipment, you are requested to take adequate safety measures to prevent the equipment from causing a physical injury, fire, or other problem if any of the products become faulty. It is recommended to make your design fail-safe, flame retardant, and free of malfunction.
4. The products introduced in this Data Book are intended for use in the following electronic and electrical equipment which has normal reliability requirements.
 - Computers •OA equipment •Communications equipment (terminal devices)
 - Measurement equipment •Machine tools •Audiovisual equipment •Electrical home appliance
 - Personal equipment •Industrial robots etc.
5. If you need to use a product in this Data Book for equipment requiring higher reliability than normal, such as for the equipment listed below, it is imperative to contact Fuji Electric to obtain prior approval. When using these products for such equipment, take adequate measures such as a backup system to prevent the equipment from malfunctioning even if a Fuji's product incorporated in the equipment becomes faulty.
 - Transportation equipment (mounted on cars and ships) •Trunk communications equipment
 - Traffic-signal control equipment •Gas leakage detectors with an auto-shut-off feature
 - Emergency equipment for responding to disasters and anti-burglary devices •Safety devices
6. Do not use products in this Data Book for the equipment requiring strict reliability such as (without limitation)
 - Space equipment •Aeronautic equipment •Atomic control equipment
 - Submarine repeater equipment •Medical equipment
7. Copyright © 1995 by Fuji Electric Co., Ltd. All rights reserved. No part of this Data Book may be reproduced in any form or by any means without the express permission of Fuji Electric.
8. If you have any question about any portion in this Data Book, ask Fuji Electric or its sales agents before using the product. Neither Fuji nor its agents shall be liable for any injury caused by any use of the products not in accordance with instructions set forth herein.

CONTENTS

1. Description	4
2. Features	4
3. Outline	4
4. Types of FA5604 series	4
5. Block diagram	5
6. Pin assignment	5
7. Ratings and characteristics	6 to 9
8. Characteristics curves	10 to 15
9. Description of each circuit	16 to 21
10. Design advice	22 to 30
11. Application circuit	31

Note

- The contents are subject to change without notice for specification changes or other reasons.
- Parts tolerance and characteristics are not defined in all application described in this Date book. When design an actual circuit for a product, you must determine parts tolerance and characteristics for safe and economical operation.

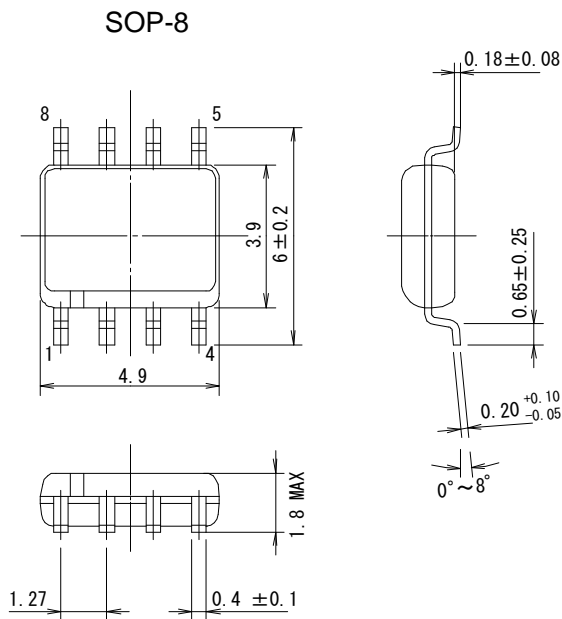
1. Description

The FA5604/05/06 is the PWM type switching power supply control IC that can directly drive power MOSFET. This IC realizes the low power consumption with reducing the switching frequency at light load. This IC contains many functions in a small 8-pin package. With this IC, a high-performance and compact power supply can be created because not many external discrete components are needed.

2. Features

- Voltage mode control
- Systems organized by circuit methods
 - FA5604: Applied to forward power supplies (maximum duty cycle = 46%)
 - FA5605/FA5606: Applied to flyback power supplies (maximum duty cycle = 70%)
- Automatically reduces the switching frequency to suppress loss in stand-by mode
- The switching frequency can be set (RT pin)
- A drive circuit for connecting a power MOSFET directly
- Output peak current: +1.0A / -0.5A
- Overcurrent of primary side limiting function (IS pin negative voltage sense)
- Overload protection function (switching frequency control by VF pin)
- Overload protection function (CS pin)
- Built-in output overvoltage latch protection (stopping the latch by pulling up the CS terminal by external signals)
- Undervoltage lockout function (17.5V ON / 9.7V OFF)
- 8-pin package (SOP-8)

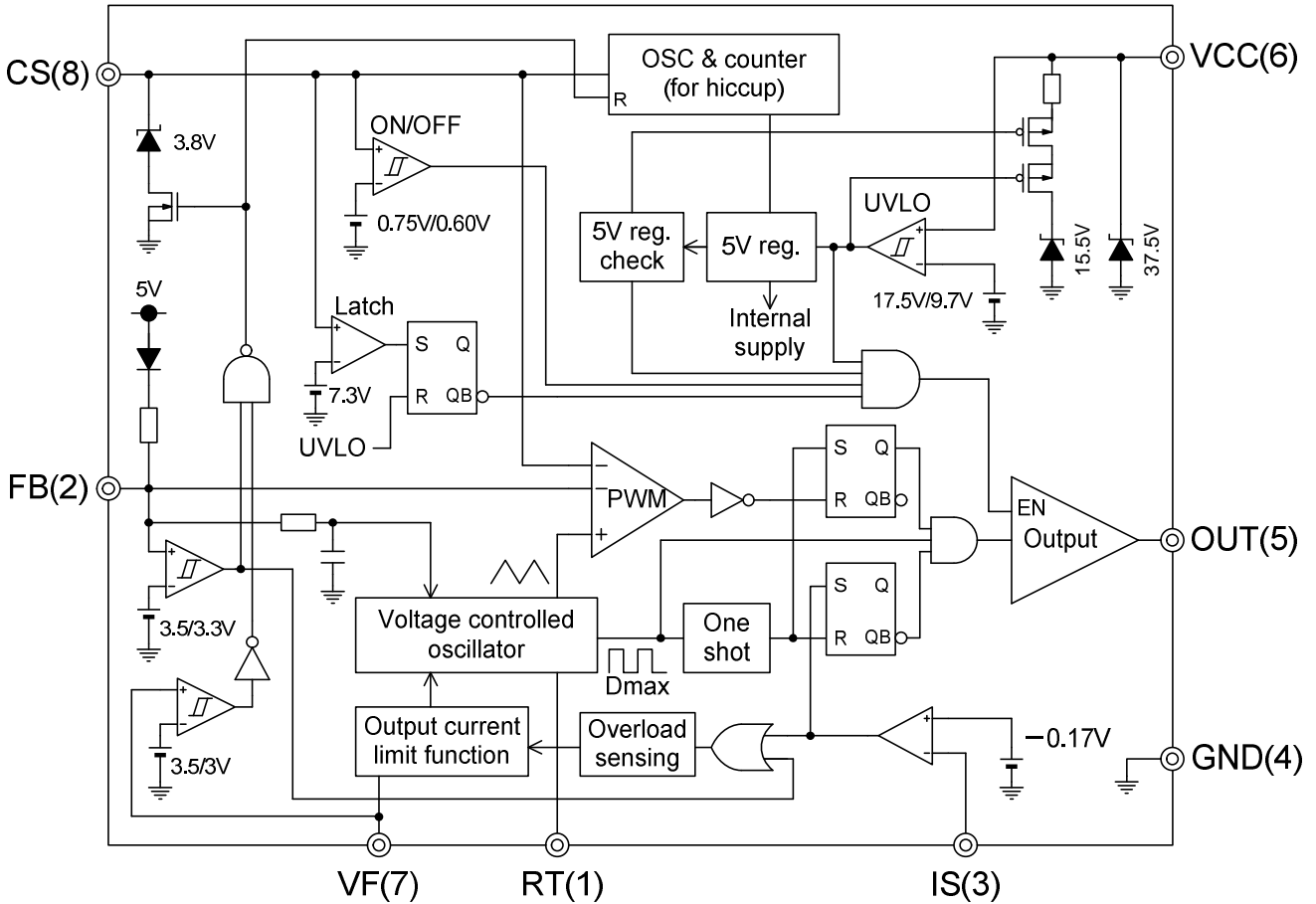
3. Outline



4. Types of FA5604

type	Max. duty cycle(typ)	Frequency reduction mode at light-load	Hiccup operation at overload	Overcurrent detection	Package
FA5604N	46%	FB voltage: 1.8 V/1.95 V	Operation period: shutdown period = 1:7	- detection	SOP-8
FA5605N	70%		Operation period: shutdown period = 1:15		
FA5606N		FB voltage: 1.55 V/1.65 V	Operation period: shutdown period = 1:7		

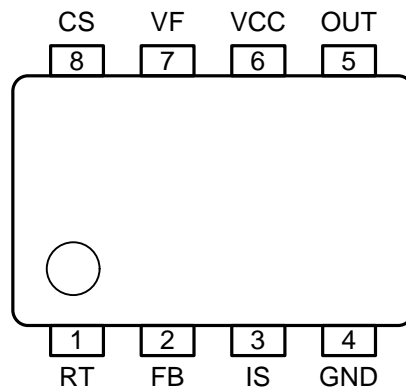
5. Block diagram



6. Pin assignment

Pin	Symbol	Function	Description
1	RT	Oscillator timing resistor	Connected to oscillator timing resistor
2	FB	Feedback	Input of PWM comparator OLP
3	IS	Overcurrent detection	Input of the overcurrent limiting function (-)
4	GND	Ground	Signal ground of the power IC
5	OUT	Output	Output for driving a power MOSFET
6	VCC	Power supply	Power supply
7	VF	Switching Frequency Control at over load	Overload protection
8	CS	Soft-start and ON/OFF control	Soft-start, ON/OFF function, OLP-hiccup, and latch-mode shutdown operations

Note) Power ground PGND (▼) and signal ground GND (▽) are connected through current sensing resistor Rs.



7. Rating and Characteristics

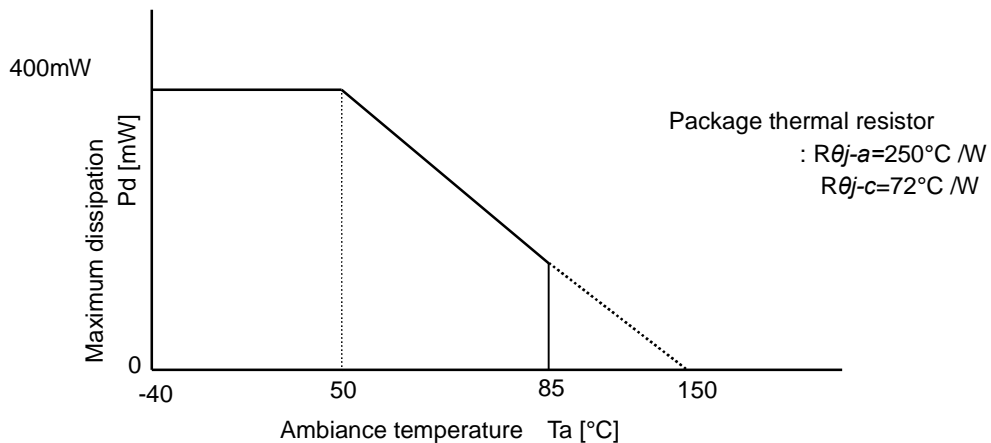
The contents are subject to change without notice for specification changes or other reasons.
Current characteristics; “+” is sink current and “-” is source current

(1) Absolute maximum ratings

Item	Symbol	Rating	Unit
Supply Voltage	VCC	35	V
Supply Current	ICC	30	mA
Peak current at OUT pin	IOH	- 0.5	A
	IOL	+1.0	A
Voltage at OUT pin	VOUT	-0.3 to VCC+0.3	V
Input voltage at VF pin	VVF	-0.3 to VCC+0.3	V
Input current at CS pin	VCS	2.0	mA
Input voltage at FB,IS pin	VLT	- 0.3 to 5.0	V
Power dissipation (Ta<50°C)	Pd	400	mW
Maximum junction temperature in operation	Tj	- 40 to +150	°C
Storage temperature	Tstg	-40 to +150	°C

Note) There are cases where the IC cannot output the rating current depending on VCC voltage or temperature.

※Maximum dissipation curve



(2) Recommended Operating Conditions

Item	Symbol	MIN	TYP	MAX	Unit
Supply voltage	VCC	11	18	30	V
VCC pin capacitance	CVCC	10	47	220	μF
Switching frequency (FB>VthFBS2)	Fosc	100	190	300	kHz
Timing resistance	Rt	7.5	12	24	kΩ
Ambiance temperature in operation	Ta	-40		+85	°C

(3)Electrical Characteristics (Tj=25°C,VCC=18V,Rt=12kΩ,unless otherwise specified)

Oscillator Section (RT pin)

Item	Symbol	Conditions	MIN.	TYP.	MAX.	Unit
Switching oscillation frequency	Fosc	Rt=12kΩ, Tj=25°C	171	190	209	kHz
Variation by supply voltage	Fdv	VCC=11V to 30V	-2	-	+2	%
Variation by temperature	FdT	Tj= -40°C to +125°C	-	0.05	-	%/°C

Pulse Width Modulation Section (FB pin)

Item	Symbol	Conditions	MIN.	TYP.	MAX.	Unit	
Source current of FB pin	IFB	FB=0V	-650	-500	-390	μA	
Input threshold voltage	VthFB0	Duty cycle=0%	0.9	1.0	1.1	V	
	VthFBM	Duty cycle=DMAX	2.7	3.0	3.25	V	
Maximum duty cycle	DMAX	FB=3.25V	FA5604	43	46	49	%
			FA5605/06	67	70	73	
OLP threshold voltage	Volpon	OLP mode OFF → ON	3.2	3.5	3.8	V	
	Volpoff	OLP mode ON → OFF	3.0	3.3	3.6	V	
Hysteresis voltage width	Volphys		0.1	0.2	0.3	V	

Frequency Control Section at Light Load (FB pin)

Item	Symbol	Conditions	MIN.	TYP.	MAX.	Unit	
Input threshold voltage	VthFBS1	Light Load mode OFF→ON	FA5604/05	1.65	1.80	1.95	V
			FA5606	1.43	1.55	1.67	
	VthFBS2	Light Load mode ON→OFF	FA5604/05	1.8	1.95	2.1	
			FA5606	1.53	1.65	1.77	
Difference of switching frequency	Foscdiff1	RT=24kΩ FB=VthFBS	FA5604	-15	-7.5	0	%
			FA5605/06	-10	-5	0	
Minimum switching frequency	FoscS2	FB=VthFB0	24	30	39	%	
Minimum on pulse width	tminS	FB=VthFB0	300	400	500	ns	

Current Sense Section (IS pin)

Item	Symbol	Conditions	MIN.	TYP.	MAX.	Unit
Input threshold voltage	VthIS		-183	-170	-157	mV
Source current of IS pin	IIS	IS=0V	-52	-40	-28	μA
Propagation delay time	tpdIS		100	150	250	ns

ON/OFF, Soft-start Section (CS pin)

Item	Symbol	Conditions	MIN.	TYP.	MAX.	Unit	
Charge current of CS pin	ICS0	CS=0V	-13	-10	-7	μA	
ON/OFF threshold voltage	Vcson1	OFF→ON	0.65	0.75	0.90	V	
	Vcsoff1	ON→OFF	0.50	0.60	0.75	V	
Hysteresis voltage width	Vcshys1		0.1	0.15	0.2	V	
Soft-start input voltage	VthCS0	Duty cycle = 0%	0V→VthCSM	0.65	0.75	0.9	V
			VthCSM→0V	0.5	0.6	0.75	
	VthCSM	Duty cycle = DMAX	2.75	3.0	3.25	V	

Latch Protection Section (CS pin)

Item	Symbol	Conditions	MIN.	TYP.	MAX.	Unit
Latch threshold voltage	VthLAT		6.6	7.3	7.7	V
Latch delay time	TpdLAT		35	50	70	μs
Clamp voltage of CS pin	VCSP	ICS=2mA	13	15	17	V

Frequency Control Section at Overload (VF pin)

Item	Symbol	Conditions	MIN.	TYP.	MAX.	Unit	
Threshold voltage of frequency reducing at overload	VVF	FB=open	3.9	4.2	4.5	V	
Switching frequency at overload	FoscL1	Rt=12kΩ FB=open, VF=5V	FA5604	145	165	Fosc	kHz
			FA5605/06	155	180	Fosc	
	FoscL2	Rt=12kΩ FB=open, VF=2V	FA5604	90	115	160	kHz
			FA5605/06	110	140	170	
Difference of switching frequency	Foscdiff2	Rt=24kΩ FB=open, VF=5V	FA5604	-15	-7.5	0	%
			FA5605/06	-10	-5	0	
VF voltage at timer enable	VFcstim		2.7	3.0	3.3	V	
VF voltage at timer reset	VFcstmr	FB=open, VF increasing	3.15	3.5	3.85	V	
Hysteresis width at timer	Vhyscst	VFcstmr-VFcstim	0.45	0.5	0.55	V	
Input bias current at VF pin	IVF	VF=0V	-2	-0.5	-	μA	

Hiccup Section (CS pin)

Item	Symbol	Conditions	MIN.	TYP.	MAX.	Unit	
Threshold voltage of timer	VcstimH		4.9	5.7	6.5	V	
	VcstimL		3.3	3.8	4.3	V	
Voltage width of timer	VcstimW		1.5	1.9	2.3	V	
Difference voltage between timer-upper voltage and Latch threshold voltage	VcsdLT	VCC=18V, Ccs=10nF	0.9	1.6	2.5	V	
Timer Charge current	Icschg2		-13	-10	-7	μA	
Timer Charge current	Icsdis2		7	10	13	μA	
Delay time of OLP	Tolp1	VCC=18V, Ccs=10nF	179	256	333	ms	
The time of OLP	Tolp2	VCC=18V, Ccs=10nF	FA5604/06	1225	1792	2330	ms
			FA5605	2688	3840	4992	
Time ratio of OFF/ON time	Konoff	Tolp2/Tolp1	FA5604/06	-	7	-	-
			FA5605	-	15	-	

Under Voltage Lock Out Section (VCC pin)

Item	Symbol	Conditions	MIN.	TYP.	MAX.	Unit
Startup threshold voltage	VCCON		15.5	17.5	19.5	V
Shutdown threshold voltage	VCCOFF		8.5	9.7	10.5	V
UVLO hysteresis width	VCCHYS		6	7.8	10	V

Output Driver Section (OUT pin)

Item	Symbol	Conditions	MIN.	TYP.	MAX.	Unit
Low level output voltage	VOL	IOL=100mA, VCC=18V	-	0.7	1.5	V
High level output voltage	VOH	IOH=-100mA, VCC=18V	15	16.5	-	V
Rise time	Tr	CL=1nF (OUT pin)	20	40	100	ns
Fall time	Tf	CL=1nF (OUT pin)	15	30	70	ns

Over Voltage Protection Section (VCC pin)

Item	Symbol	Conditions	MIN.	TYP.	MAX.	Unit
VCC pin clamp voltage at OFF mode	VzdL	Icc=250 μ A	14.5	15.5	16.5	V

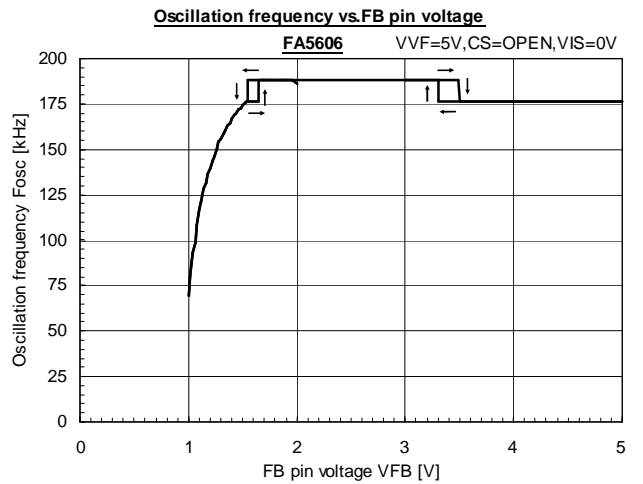
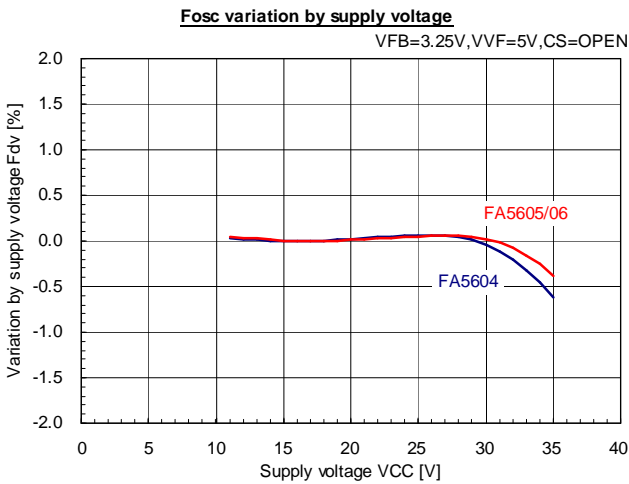
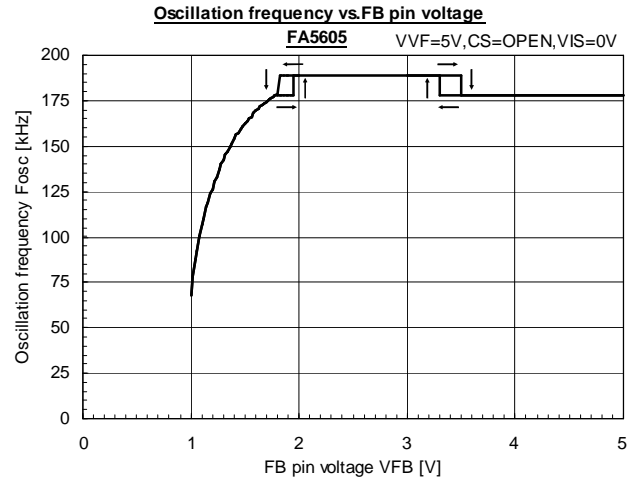
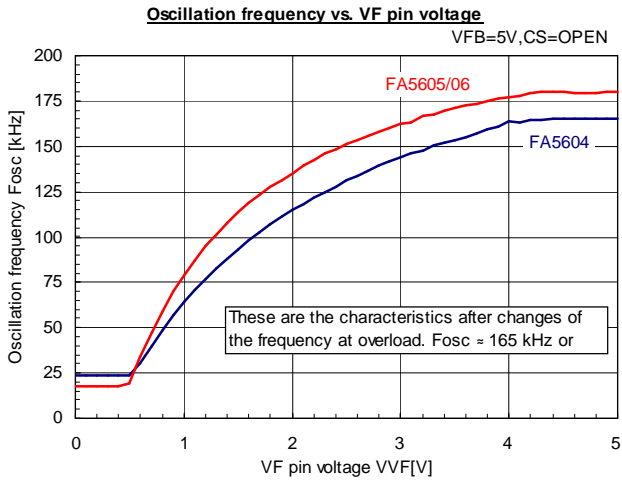
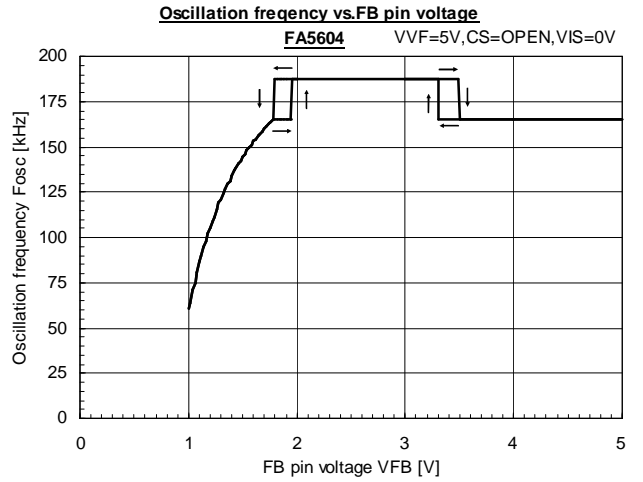
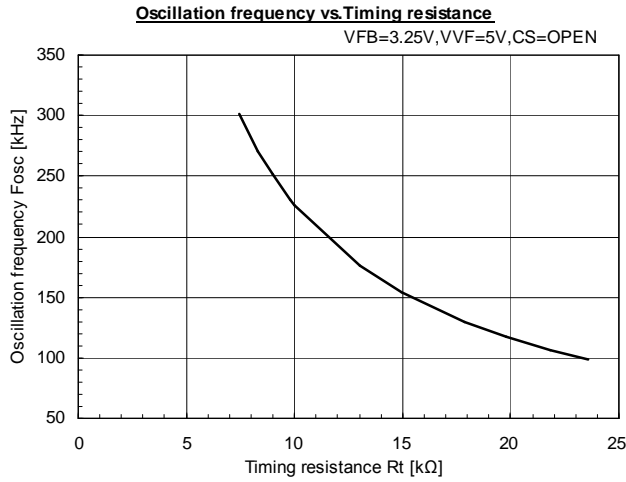
Power Supply Current Section (VCC pin)

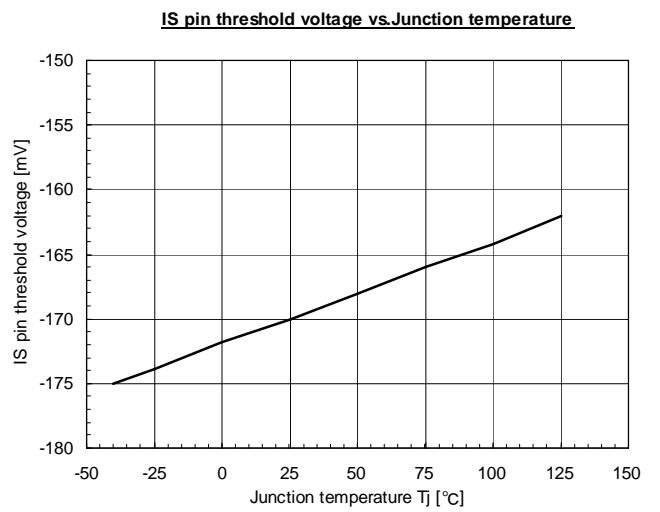
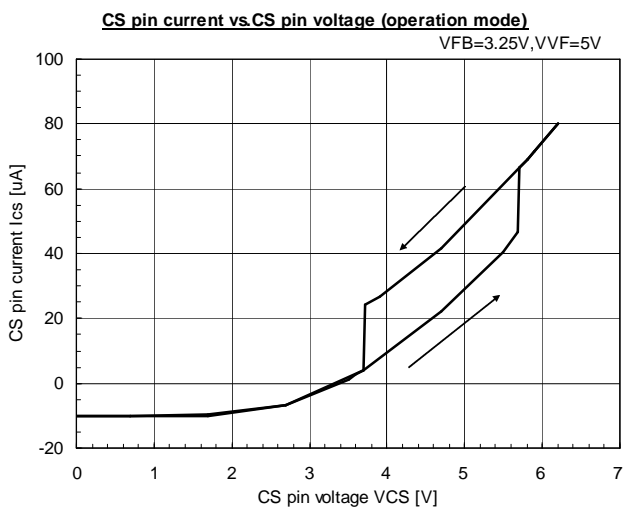
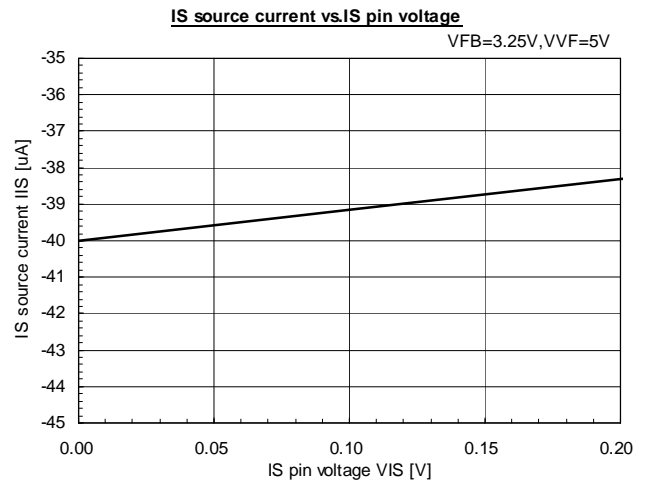
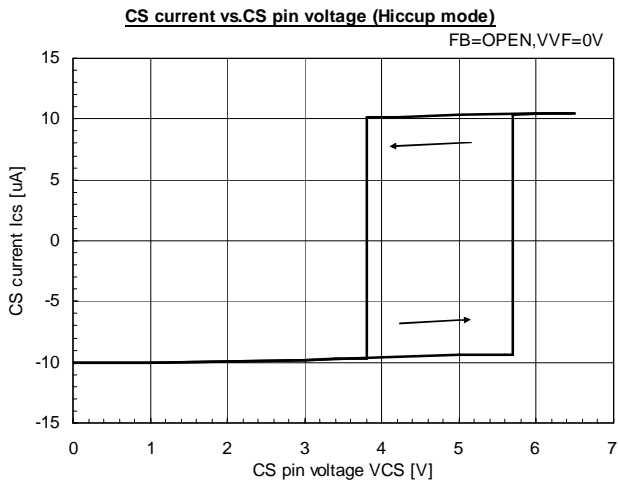
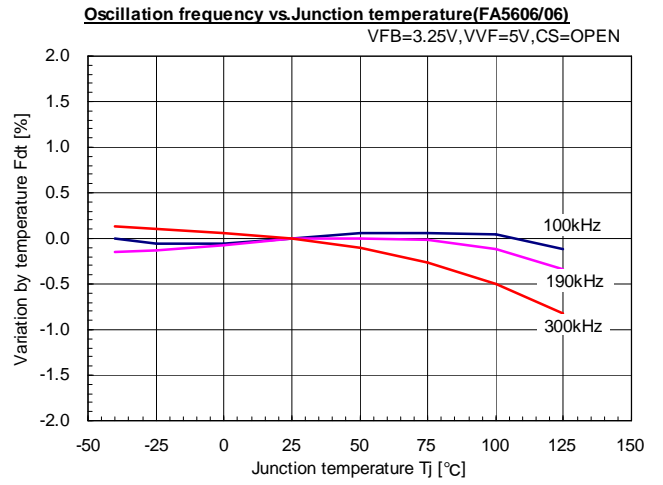
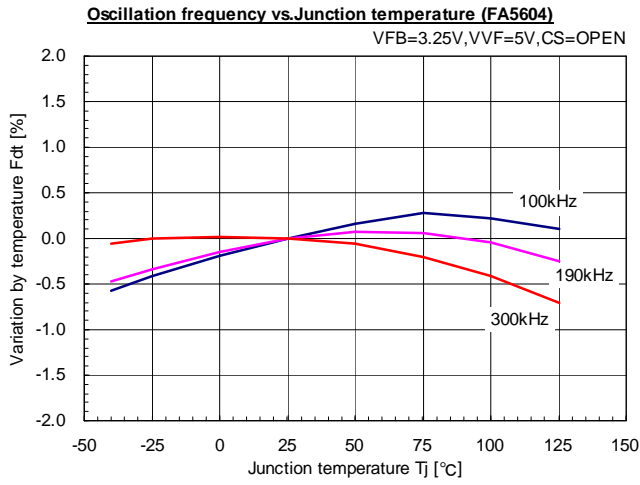
Item	Symbol	Conditions	MIN.	TYP.	MAX.	Unit
Stand-by current	IccSTB	VCC=14V	-	-	2	μ A
Start-up current	IccST	VCC = Start threshold voltage	-	14	35	μ A
Steady operating mode supply current	IccOP1	At No Load, VCC=18V, FB=3.25V, VF=5V, CS=open	-	1.6	3.0	mA
OFF mode supply current	Iccoff	At No Load, VCC=14V, FB=0V, VF=0V, CS=0V	-	195	250	μ A
CS timer-off mode supply current	Iccoff1	VCC=14V	-	190	240	μ A
Latch-mode supply current	IccLAT1	VCC=11V	-	185	240	μ A
		VCC=14V	-	190	240	μ A

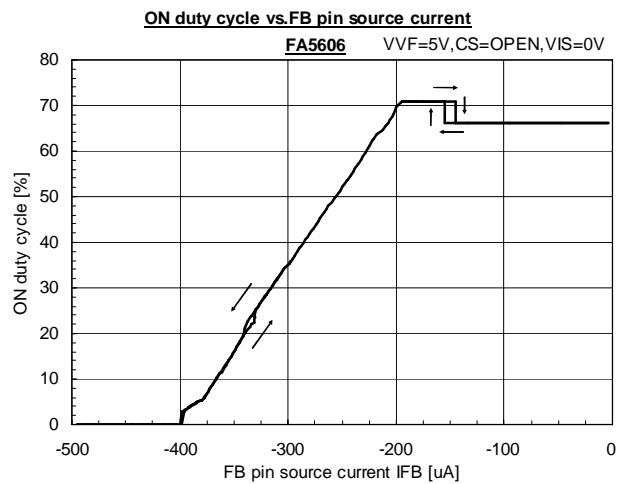
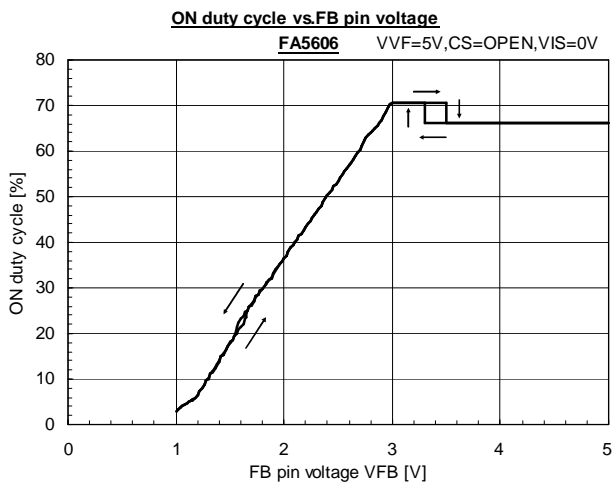
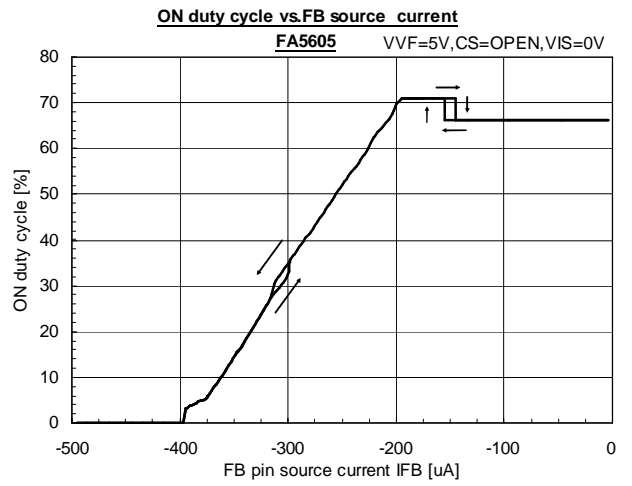
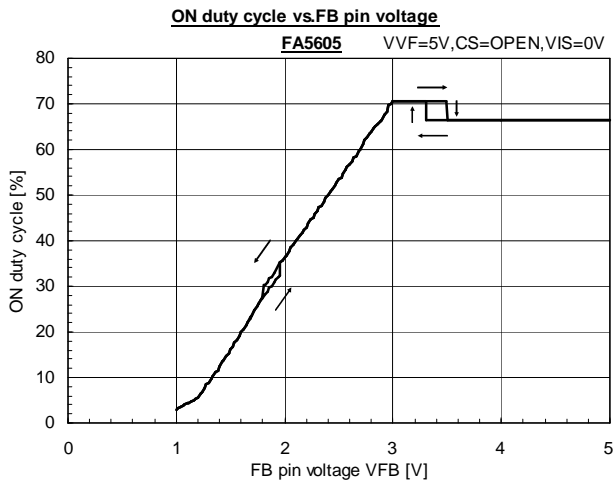
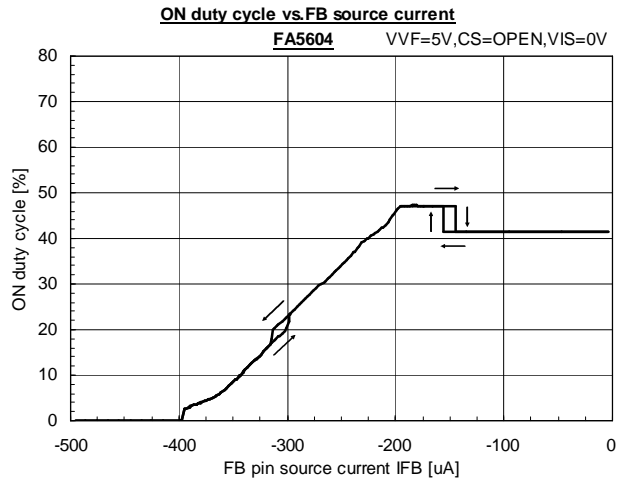
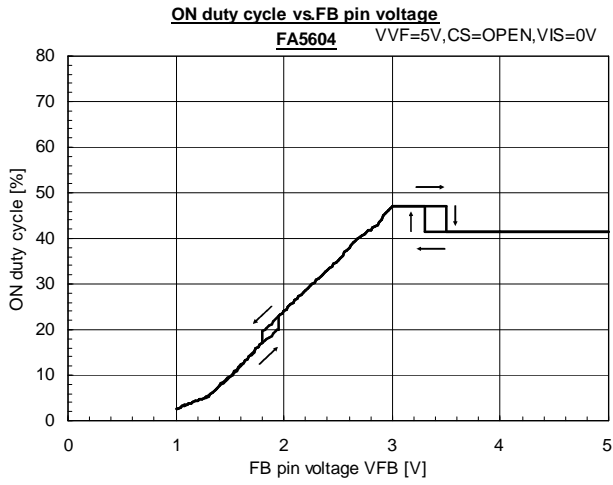
8. Characteristic curve

Ta=25°C, VCC=18V, Rt=12kΩ, unless otherwise specified

Parts tolerance and characteristics are not defined in all application described in this Data book.

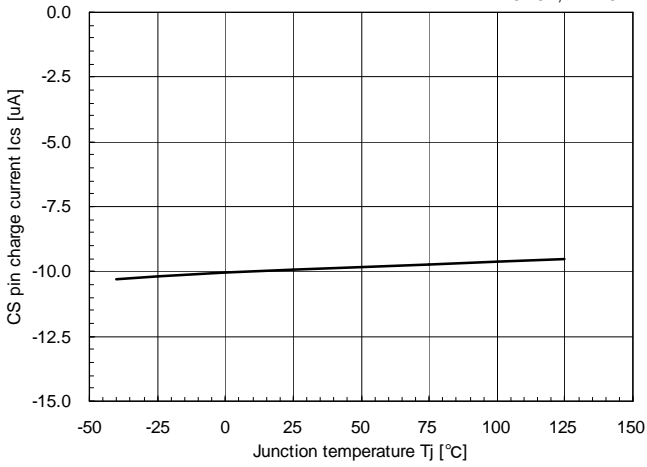






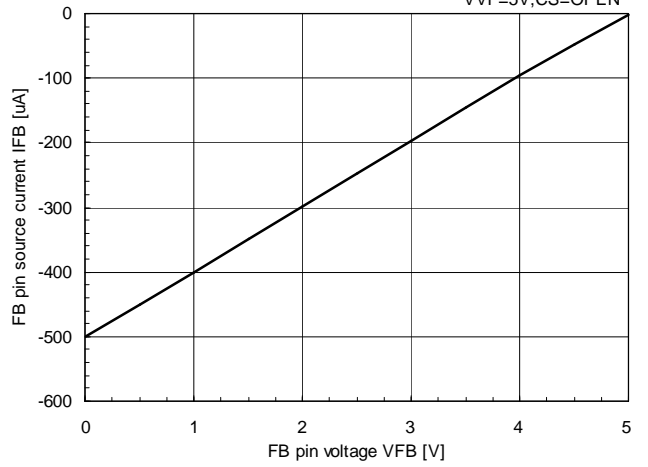
CS pin charge current vs. Junction temperature

VFB=3.25V, VVF=5V



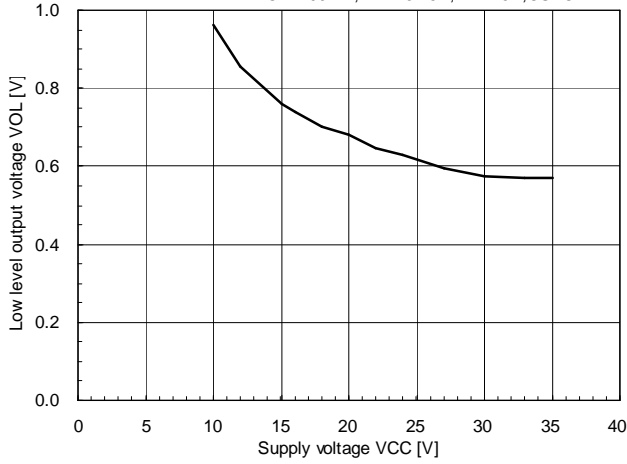
FB pin source current vs. FB pin voltage

VVF=5V, CS=OPEN



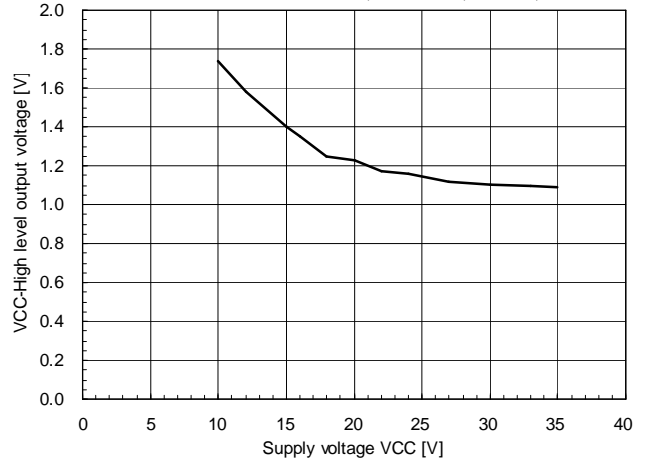
Low level output voltage vs. Supply voltage

IOL=100mA, VFB=3.25V, VVF=5V, CS=OPEN

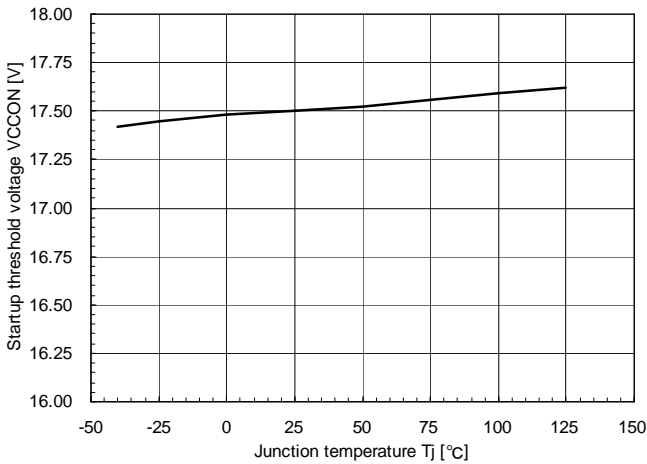


High level output voltage vs. Supply voltage

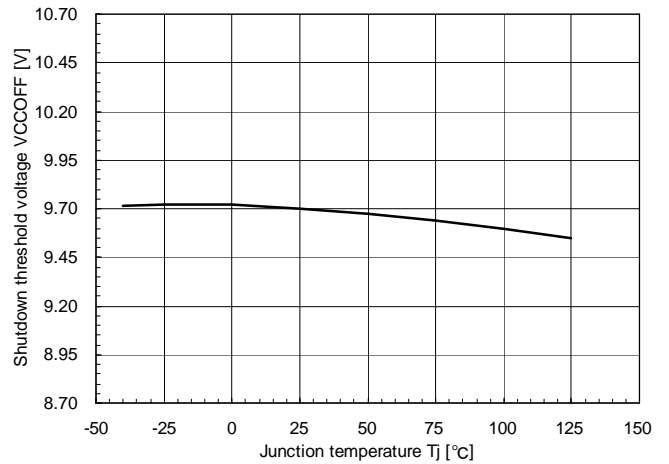
IOH=-100mA, VFB=3.25V, VVF=5V, CS=OPEN

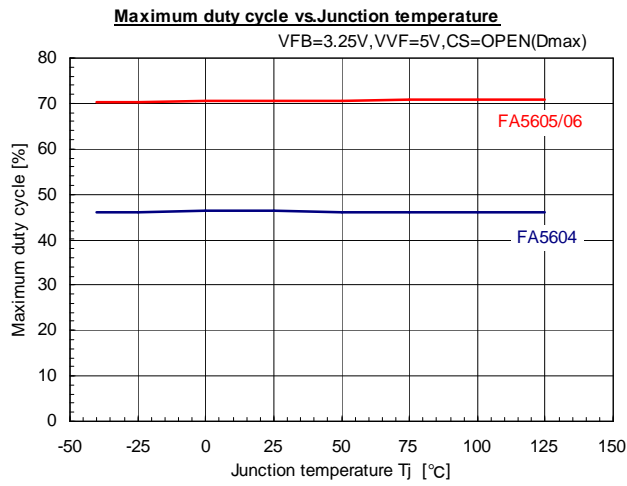
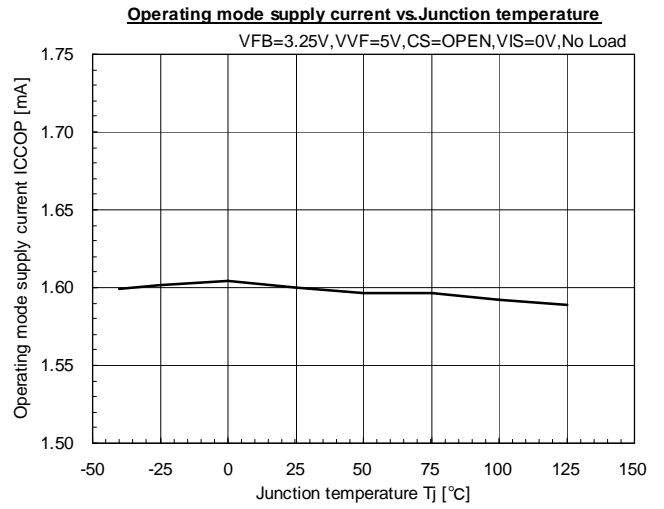
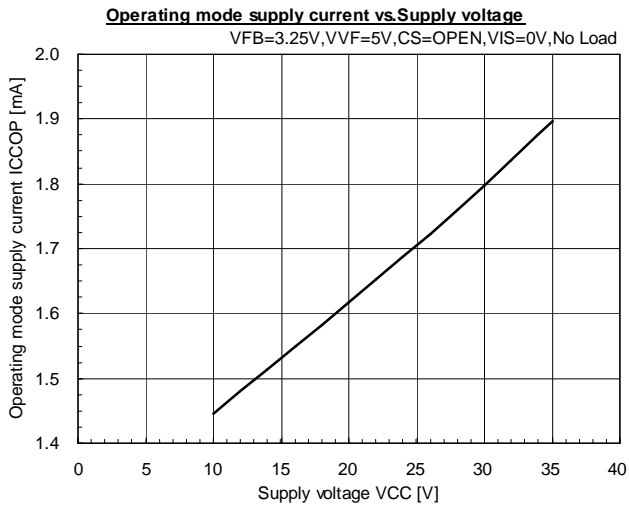


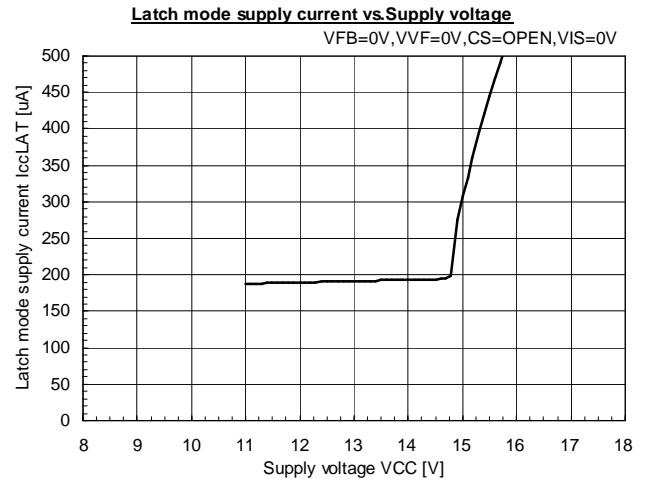
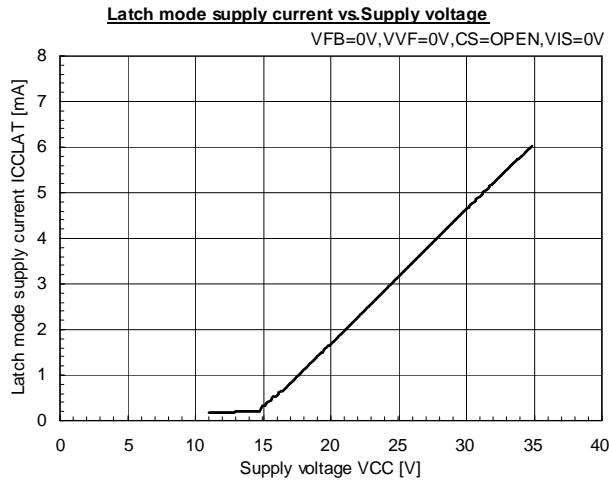
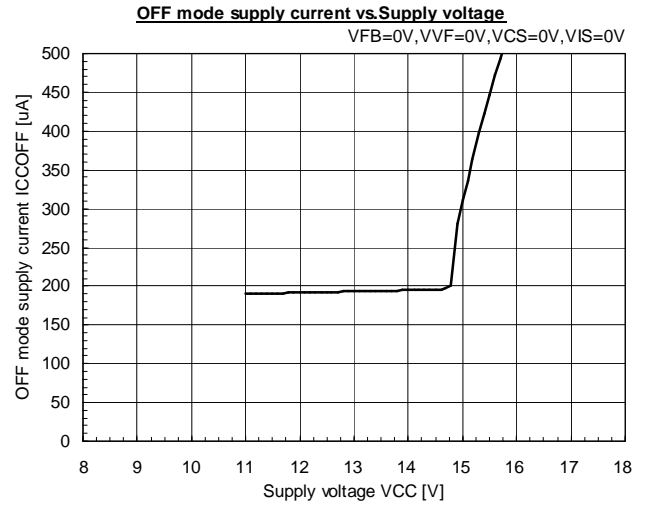
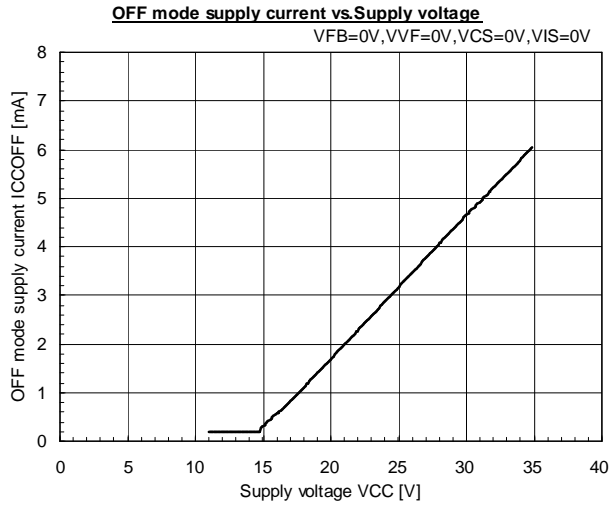
Startup threshold voltage vs. Junction temperature



Shutdown threshold voltage vs. Junction temperature







9. Description of each circuit

(1)Oscillator

A desired oscillation frequency can be set by the value of the resistor connected to the RT pin (Fig.1 recommended value is 100 kHz to 300 kHz). The built-in capacitor voltage oscillates between about 3V and 1V, with almost the same charging and discharging gradients (Fig.2).

The oscillator waveform cannot be observed from the outside because the oscillator output is not pinned out. The oscillator output is connected to a PWM comparator.

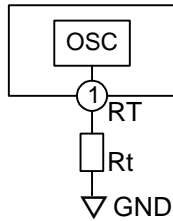


Fig.1

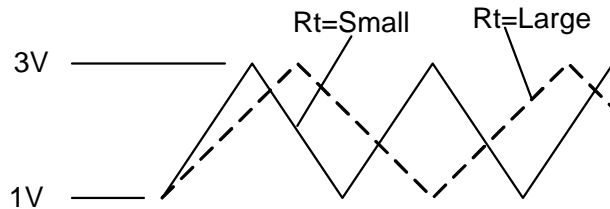


Fig.2

This IC has the function that reducing the power consumption by decreasing frequency at light load. It according to the value of the FB pin voltage at light load (Fig.3). When the FB pin voltage is 1V (typ.), the switching frequency decreases to about 30% down of the set frequency. When at the overload, it corrects current limiting by decreasing frequency. The minimum switching frequency is about 10% down of the set frequency.

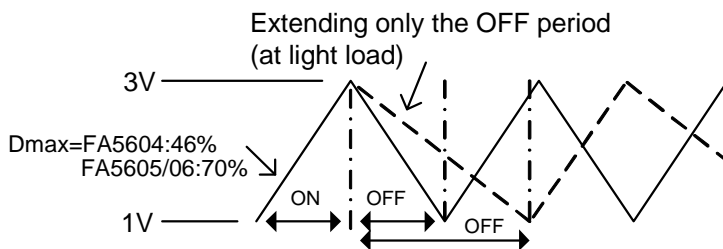


Fig.3

As shown in Fig.4 (Fosc-VFB characteristics graph), there is a little difference at the point before the frequency is reduced. Check that this is not a problem for actual use.

Because this IC adopts the frequency reduction method in which only the off period is extended, if the frequency is reduced at overload, the ON duty is also reduced, and therefore the output voltage is reduced. Consequently, the load current is reduced at the point in which it enters the drooping characteristics at overload (Fig 5).

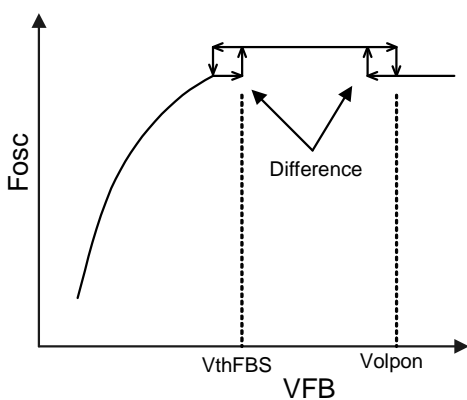


Fig.4

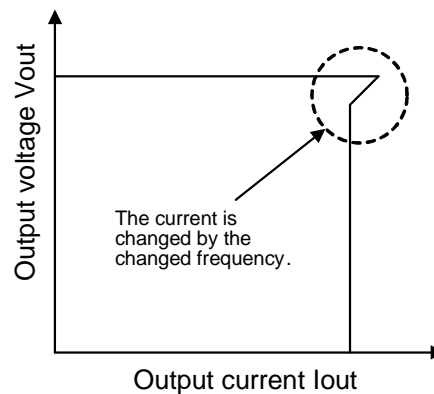


Fig.5

(2)PWM comparator

Fig.6 shows the PWM comparator timing chart. The PWM comparator has three inputs. Oscillator output ① is compared with CS pin voltage ② and FB pin voltage ③. The lower of two inputs ② and ③ has priority and compared with oscillator output ①. While the voltage is lower than the oscillator output, the PWM comparator output is high. While the voltage is higher than the oscillator output, the PWM comparator output is low.

The OUT pin of the IC is controlled so that it is H at the bottom of triangular wave oscillation waveforms (Output MOSFET is ON) and L when the PWM comparator output is set to H (Output MOSFET is OFF).

When the IC is started up, CS pin voltage ② controls soft start operation. The output pulse then begins to widen gradually. During normal operation, the output pulse width is determined within the maximum duty cycle (FA5604:46%, FA5605/06:70%) set by FB pin voltage ③, to stabilize the output voltage.

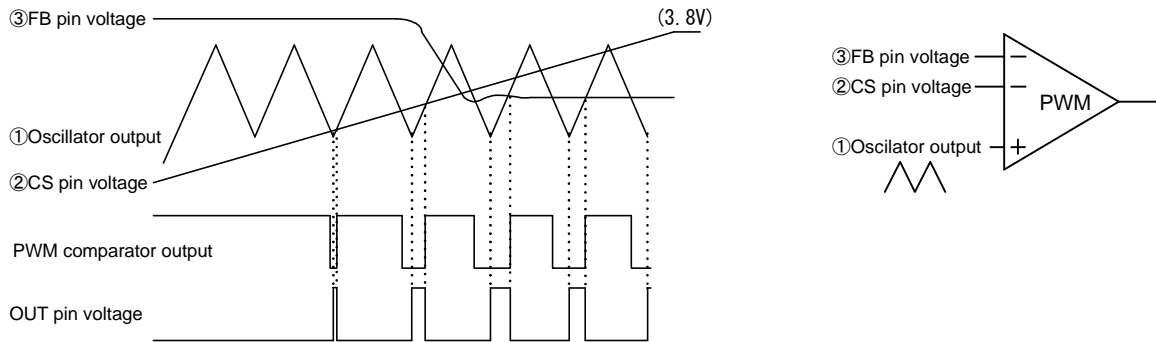


Fig.6

(3)CS pin circuit

The CS pin connects to the capacitor Ccs. The CS pin voltage varies depending on the charging voltage of this capacitor Ccs (Fig.7).

When the power is turned on, the constant current source (10μA) begins to charge capacitor Ccs. Because of that, the CS terminal voltage gradually increases as shown in Fig.6. The CS pin voltage is connected to the PWM comparator, which is characterized to make output based on the lowest of input voltages. The device enters soft-start mode while the CS pin voltage is between 1.0V and 3.0V. During normal operation, the CS pin voltage is clamped at 3.8V by internal zener diode. If the output voltage drops due to an overload and the VF pin voltage become 3V or less, the clamp voltage 3.8V is canceled and the CS pin voltage rises. The CS pin voltage is oscillate between 3.8V and 5.7V, and determined the time ratio of OLP hiccup.

Moreover, the CS pin is connected to latch comparator. If the CS pin voltage rises to 7.3V (50μsec) or more, comparator toggles to turn off, thereby shutting the output down. Since the CS pin is also connected to ON/OFF comparator, this circuit can be turned off to shut the output down by dropping the CS pin voltage below 0.60V.

In this way, the CS pin can be used for soft-start, overload output shutdown, external latch, ON/OFF control by varying the voltage (Fig.8).

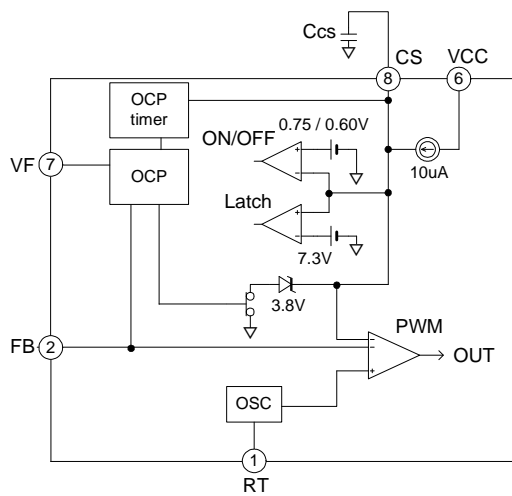


Fig.7

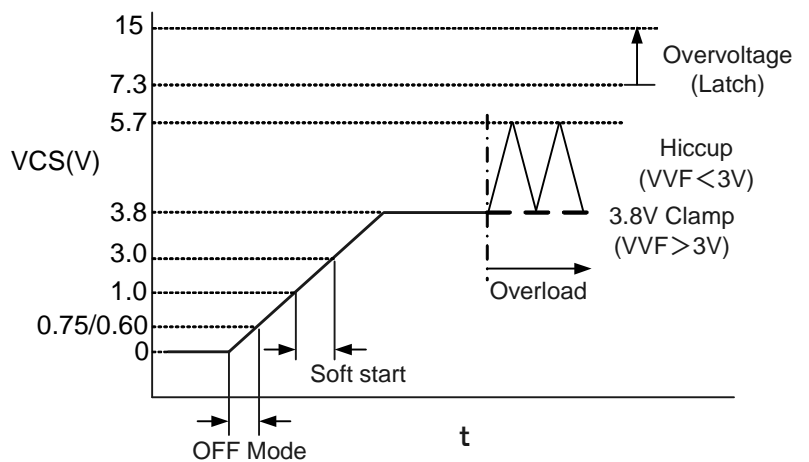


Fig.8

Further details on the above four major functions of the CS pin are given below.

(i) Soft start function

Fig.9 shows the soft start operation timing chart. The CS pin is connected to capacitor Ccs. When the power is turned on, the constant current source (10µA) begins to charge the capacitor. As shown in the timing chart, the CS pin voltage rises slowly. The CS pin is connected to the IC internal PWM comparator, and then the comparator output pulse slowly widens to cause a soft start as shown in the timing chart. After the soft start, the CS pin voltage is clamped at 3.8V by internal zener diode.

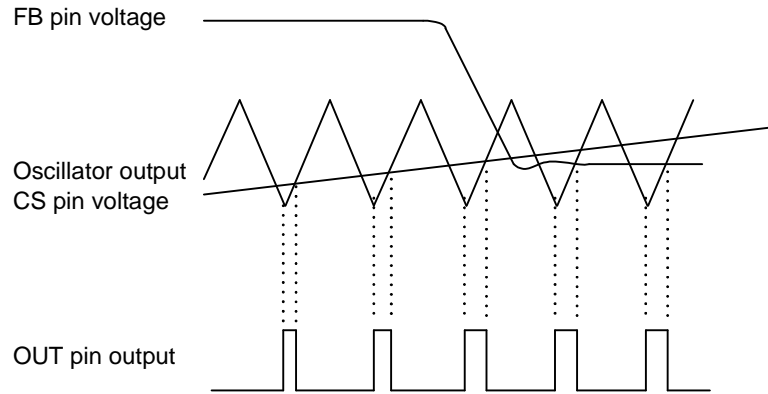
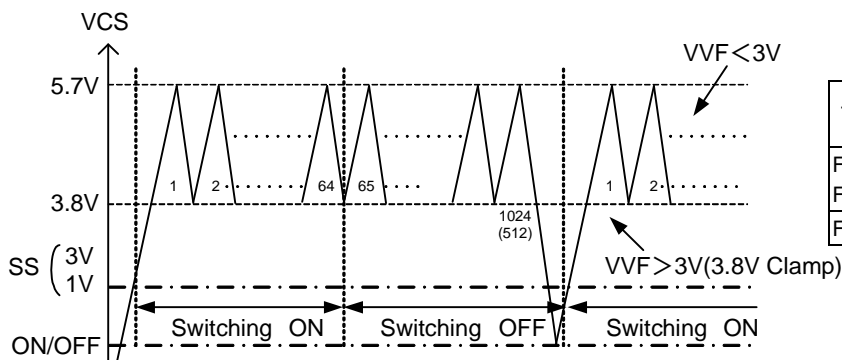


Fig.9

(ii) Overload shutdown function

Fig. 10 shows the timing chart of the CS terminal voltage (VCS) under overload condition. To achieve intermittent operation at overvoltage, apply a voltage proportional to the output voltage to VF terminal. If the output voltage is reduced by overvoltage or the like, the VF terminal voltage is reduced. If the VF terminal voltage is 3 V or more, the CS terminal voltage is clamped at 3.8 V and perform an output drooping operation. Subsequently, when the output voltage is reduced due to overload, short circuit, or the like, and the VF terminal voltage becomes less than 3 V, the CS terminal voltage oscillates between 3.8 V and 5.7 V. Intermittent operations are performed at switch-on during the count period of 1 to 64 and at switch-off during the count period of 65 to 512 (switching period ratio: 64/448 = 1 : 7) at FA5604/06, and at switch-on during the count period of 1 to 64 and at switch-off during the count period of 65 to 1024 (switching period ratio: 64/960 = 1 : 15) at FA5605. The intermittent function is achieved by three terminals: CS, FB, and VF terminals. For the detailed description, see item (6) below.



Type	Switching ON	Switching OFF	ON:OFF
FA5604 FA5606	0~64	65~512	1 : 7
FA5605	0~64	65~1024	1 : 15

Fig.10

(iii) External latch function

When the CS pin voltage exceeds 7.3V (50μsec), the IC is stopped the switching. If the VCC voltage reduced to 9.7V (typ.) (ON threshold voltage of UVLO) or less, the latch hold mode can be released.

After the latch hold mode, the CS pin voltage becomes 7.3V or less is maintained to this mode. However, it is necessary to keep supplying the consumption current 190μA (VCC=14V) from input Vin through the startup resistor.

When the current supplied from Vin is less than the consumption current of IC, VCC reduced to the UVLO voltage and the latch hold mode cannot be maintained.

During normal operation, the CS pin voltage is clamped at 3.8V by internal zener diode. The VF pin is input to the voltage proportional to the output voltage

In normal operation, the CS pin voltage is clamped at 3.8V by internal zener diode with maximum sink current 100μA (max.). Therefore, to raise the CS pin voltage to 7.3V or more, 200μA or a higher current needs to be supplied from the optocoupler. Set the current input to the CS pin to 2 mA or less.

(iv) ON/OFF function

The IC can be turned ON/OFF control via an external signal applied to the CS pin. Fig.11 shows the ON/OFF control circuit, and Fig.12 is a timing chart.

The IC is turned off when the CS pin voltage is externally made to drop below 0.60V. The output enters Low voltage state. Required IC current consumption during shutdown is 185μA (Vcc=10.5V), and this current must be supplied through the start up resistor. If the supplied current from Vin is lower than the current consumption, Vcc is reduced to the UVLO voltage and the turned off state for CS pin cannot be maintained.

In case of turning on operation, open the CS pin and the CS pin voltage exceeds 1.0V. So the power supply begins operation with soft-start.

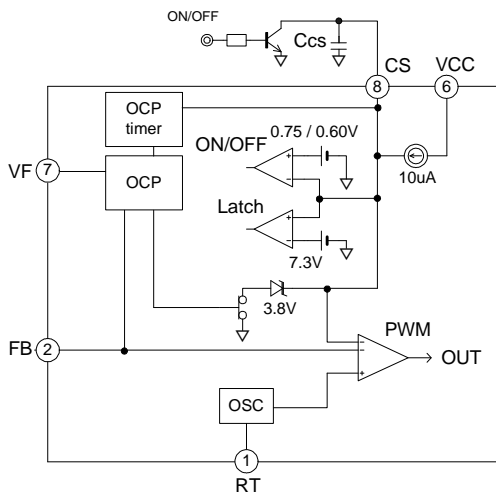


Fig.11

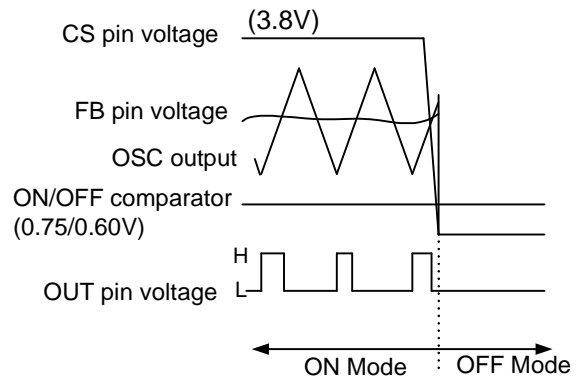


Fig.12

(4)Overcurrent limiting circuit

This circuit detects the peak value of every drain current pulse (pulse by pulse method) of the main switching MOSFET to limit the overcurrent, and the detection threshold voltage is -0.17V with respect to the ground level. **Fig. 13** shows overcurrent limiting circuit, and **Fig.14** is the overcurrent timing chart.

The drain current of the MOSFET is converted to voltage by resistor R_s and fed to the IS pin of the IC. If the detection voltage becomes -0.17V or less, the O.C.P comparator output is high, and the RS-FF output QB to Low. The OUT of this IC becomes L level at the moment, the MOSFET is turned off to shut off the current. The flip-flop output is reset on the next cycle to turn on the output again. This operation is repeated to limit the overcurrent.

If the overcurrent limiting circuit malfunctions due to noise, place an RC filter between the IS pin and MOSFET as shown in **Fig. 13**. (See item 6 in "Design advice")

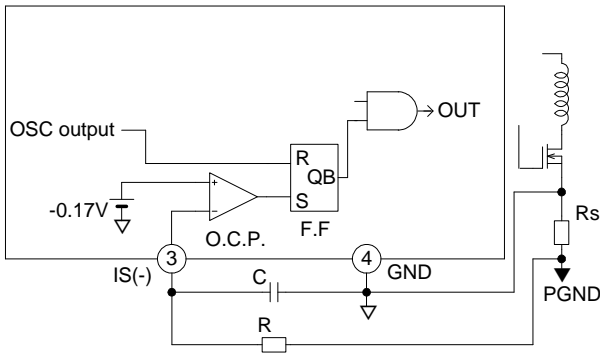


Fig.13

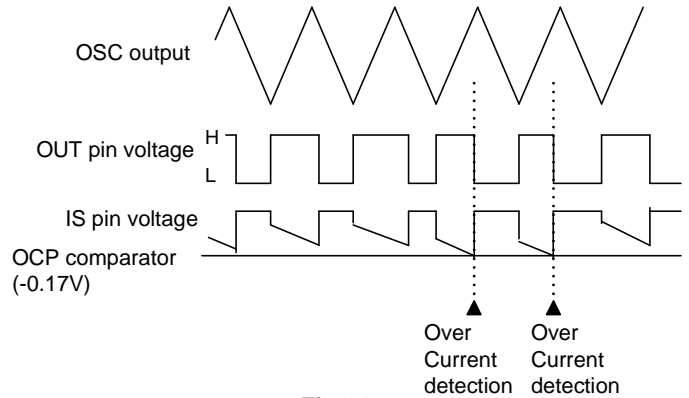


Fig.14

(5)Overload protection circuit (switching frequency control by VF pin)

The voltage proportional to the output voltage is input the VF pin. If the output voltage drops due to an overload and so on, the FB pin voltage rises and the VF pin voltage decreases. When the FB pin voltage exceeds 3.5V, IC is operating the OLP mode. The VF pin voltage becomes 4.2V or less, the oscillatory frequency decreases according to the voltage value. In adds to overcurrent limiting (preceding clause 4), overload protect by decreasing the oscillatory frequency (See item 5 in "Design advice")

To a voltage proportional to the output voltage, apply the OUT terminal voltage smoothed in the case of the forward circuit, or apply the VCC voltage in the case of the flyback circuit (see **Fig. 15**).

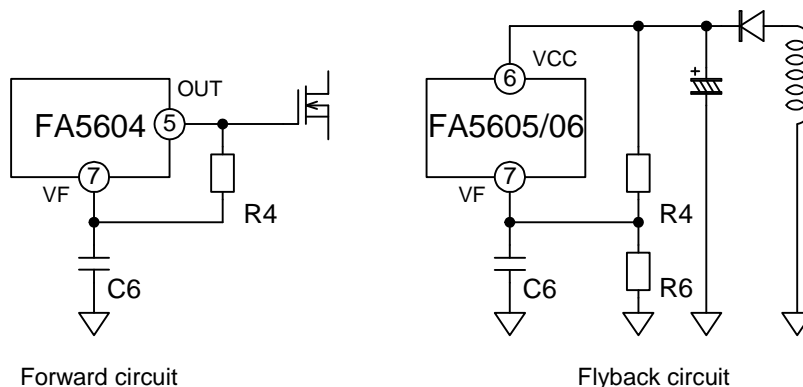


Fig.15

(6)Overload protection circuit

The IC contains an overload protection circuit (operation that switching turned ON/OFF in fixed time ratio). **Fig.16** shows a timing chart at overload.

During normal operation, the CS pin voltage is clamped at 3.8V by internal zener diode. The VF pin is input to the voltage proportional to the output voltage.

If the output voltage drops due to an overload and so on, the FB pin voltage rises to raise the output voltage. If the FB pin voltage exceeds 3.5V, the IC toggles to overload protection (OLP) mode. The VF pin voltage decreases at the same time as output voltage. If the VF pin voltage reduced to 4.2V or less, switching frequency control is began at overload. Moreover, if the VF pin voltage becomes 3.0V or less, the clamp voltage is canceled and the capacitor Ccs, which is connected the CS pin, is charged by constant current source (10μA).

If the CS pin voltage rises to 5.8V or more, it toggles to discharge mode, and the capacitor is discharged by constant current source (10μA). If the CS pin voltage reduced to 3.9V or less again, it toggles to charge mode, and the capacitor is charged.

The CS terminal performs an oscillation operation between 3.8 V and 5.7 V by repeating the above operation. The intermittent operations are performed by counting the oscillation waveforms inside the IC and by making a setting so that the count period of 1 to 64 is the switching operation period and the count period of 65 to 512 (FA5604/06) or 65 to 1024 (FA5605) is the switching shutdown period (switching-on period: switching-off period: 64:448 = 1:7 or 64:960 = 1:15). The operation frequency during the intermittent operation is under the condition in which the frequency is reduced.

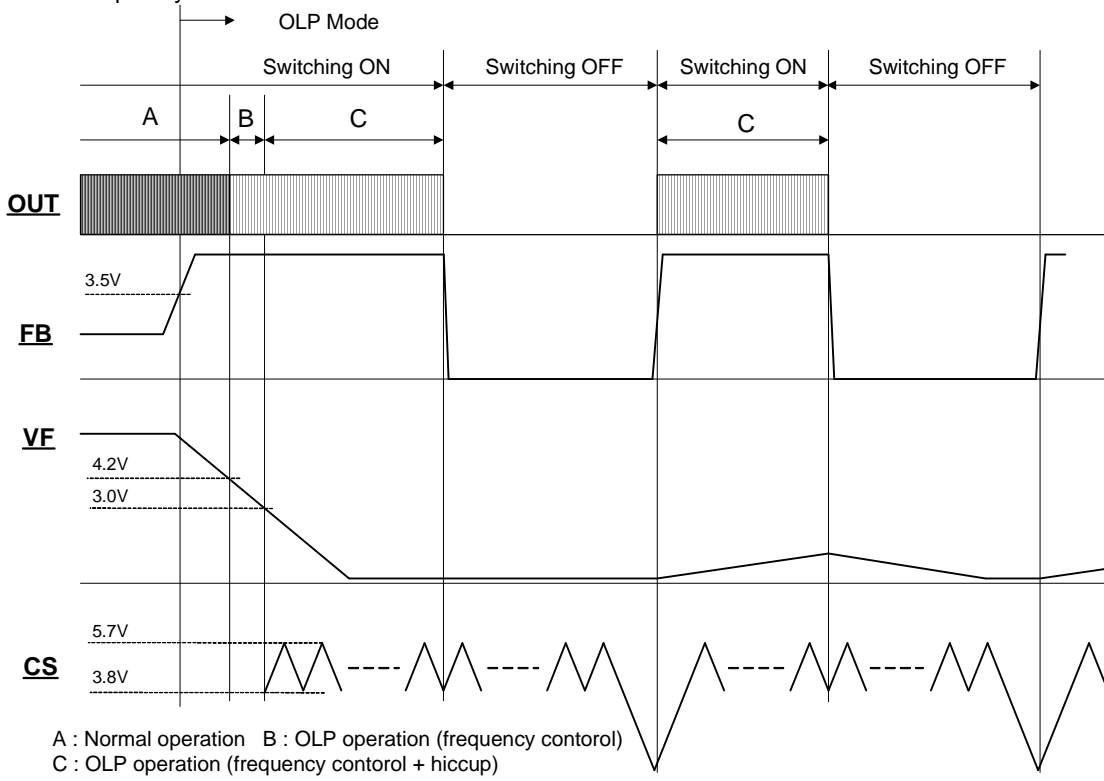


Fig.16

(7)Undervoltage lockout circuit (U.V.L.O)

The IC incorporates a circuit that prevents the IC from malfunctioning when the supply voltage drops. When the supply voltage is raised from 0V, the IC starts operation with VCC=17.5V (typ.). If the supply voltage drops, the output is shut down when VCC =9.7V (typ.). When the undervoltage lockout circuit operates, the output of the the OUT and CS pins go low to reset the IC.

(8)Output circuit

The IC contains a push-pull output stage and can directly drive the MOSFET. The absolute maximum rating of OUT pin peak current is +1.0A/-0.5A. But when using in actual circuit, the output peak current depends on the characteristics of the MOSFET, the resistance between the OUT pin and the MOSFET, supply voltage, temperature conditions.

The output current causes loss of the output stage. The total loss caused by the operating current and the output current should be within the ratings in actual circuit. (See item 11 in "Design advice")

If the circuit turned off by undervoltage lockout circuit, the output of OUT pin become low level and the MOSFET is shut down.

10. Design advice

(1)Deciding the startup circuit

The connection methods of the startup circuit are as follows: connecting the starting resistor R1 before rectification (AC line) (**Fig. 17**); connecting the starting resistor R1 after rectification (DC line) (**Fig. 18**).

When connecting the starting resistor before rectification, if the latch operates, a current applied to the IC from the starting resistor is stopped by stopping the AC input, and the latch can be reset in a significantly short time.

On the other hand, if connecting the starting resistor after rectification, because a current is applied to the IC from the smoothing capacitor C1 of the main circuit through the starting resistor even if the AC input is stopped, it takes time to reset the latch.

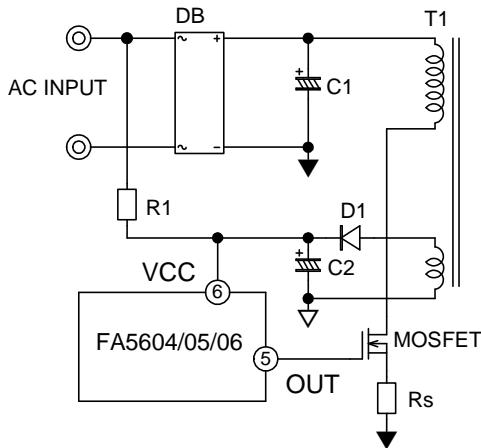


Fig.17

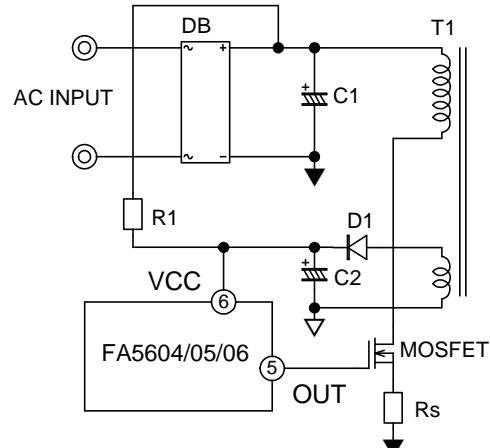


Fig.18

If it is necessary to set the startup and shutdown voltages, connect the resistor R2 between the VCC and the GND as shown in **Fig. 19**.

When connecting only the starting resistor R1, if setting a relatively large value for the starting resistor R1, the latch release voltage is more than the starting voltage. Under this condition, if the input voltage is reduced for some reason when the latch is stopped, release of the latch and startup may be performed repeatedly.

It is recommended to insert the resistor R2 between the VCC and the GND in order to avoid this phenomenon.

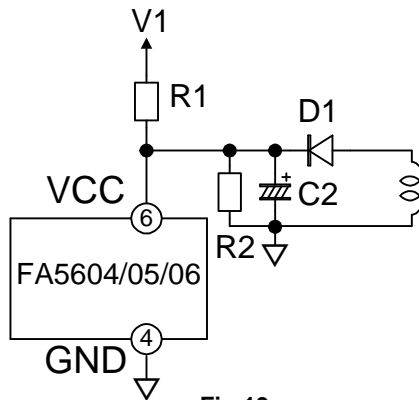


Fig.19

The following are the points for setting the starting resistance.

Because the consumption current of the IC is low due to adoption of the CMOS process, it is possible to set a large value for the starting resistance. When determining the value of the starting resistance, the following three conditions shall be satisfied:

- (a) Start the IC when turning on the power.
- (b) Supply the IC consumption current at latch operation to maintain the latch condition.
- (c) Supply the IC consumption current during off-state of the on-off function to maintain the off-state.

Note that these are the minimum conditions for using this IC and it is necessary to determine the value considering the starting time required for the setting.

(1-1) If the startup/shutdown voltages are not set

If the startup/shutdown voltages are not set, connect only the starting resistor R1. At this time, the starting resistor R1 shall satisfy the following three relational expressions. Set a relatively small value for R1 considering the temperature characteristics and the like.

(a) To supply 35 μ A (max) of the startup current at 19.5 V (max) of the on threshold voltage of UVLO:

$$\text{(Condition for startup)} \quad R1 < \frac{V1 - 19.5}{0.035} \quad \dots\dots (1)$$

(b) To supply 230 μ A (max) of the IC consumption current ($V_{CC} = 10.5$ V) during the latch operation:

$$\text{(Condition for the latch)} \quad R1 < \frac{V1 - 10.5}{0.23} \quad \dots\dots (2)$$

(c) To supply 250 μ A (max) of the IC consumption current ($V_{CC} = 10.5$ V) during off-state of the on-off function:

$$\text{(Condition for on-off state)} \quad R1 < \frac{V1 - 10.5}{0.25} \quad \dots\dots (3)$$

Where,

R1: starting resistance [k Ω]

If connecting the starting resistor before rectification (AC line), V_{IN} is: $V1 = \frac{\sqrt{2}}{\pi} \times V_{ac}$

If connecting the starting resistor after rectification (DC line), V_{IN} is: $V1 = \sqrt{2} \times V_{ac}$

(V_{ac} = an effective value of the AC input voltage)

Example: On the condition of startup at $V_{ac} = 80$ V ($V_{IN} = 113$ V) or less when connecting the starting resistor after rectification

$$\text{Condition for startup: } R1 < \frac{113 - 19.5}{0.035} \quad R1 < 2.7M\Omega$$

$$\text{Condition for maintaining the latch: } R1 < \frac{113 - 10.5}{0.23} \quad R1 < 446k\Omega$$

$$\text{Condition for maintaining the off-state: } R1 < \frac{113 - 10.5}{0.25} \quad R1 < 410k\Omega$$

Therefore, 400k Ω or less of the starting resistance is required.

In the case of $R1 = 200$ k Ω :

The approximate starting voltage is: $V_{IN} = 0.035 \times 200 + 19.5 = 26.5V$

The approximate latch release voltage is: $V_{IN} = 0.23 \times 200 + 10.5 = 56.5V$

As shown above, the latch release voltage is more than the starting voltage. If the input voltage is reduced for some reason when the latch is stopped, startup and release of the latch are performed repeatedly.

If the latch release voltage is less than the starting voltage under the above condition, the starting resistance is about 40 k Ω or less and a large loss results.

If neither the latch operation nor the on-off function is not used, it is enough to satisfy only the formula (1)

(1-2) If the startup/shutdown voltages are set

If the startup/shutdown voltages are set, connect the resistor R2 between the starting resistor R1 and the VCC-GND as shown in **Fig. 19**. At this time, the starting resistor R1 shall satisfy the following three relational expressions. Set a relatively small value for R1 considering the temperature characteristics and the like.

(a) To supply 35 μA (max) of the startup current at 19.5 V (max) of the on threshold voltage of UVLO:

$$\text{(Condition for startup)} \quad R1 < \frac{V1 - 19.5}{0.035 + \frac{19.5}{R2}} \quad \dots (4)$$

(b) To supply 230 μA (max) of the IC consumption current ($V_{CC} = 10.5 \text{ V}$) during the latch operation:

$$\text{(Condition for the latch)} \quad R1 < \frac{V1 - 10.5}{0.23 + \frac{10.5}{R2}} \quad \dots (5)$$

(c) To supply 250 μA (max) of the IC consumption current ($V_{CC} = 10.5 \text{ V}$) during off-state of the on-off function:

$$\text{(Condition for on-off state)} \quad R1 < \frac{V1 - 10.5}{0.25 + \frac{10.5}{R2}} \quad \dots (6)$$

Where,

R1: starting resistance [k Ω]

If connecting the starting resistor before rectification (AC line), VIN is: $V1 = \frac{\sqrt{2}}{\pi} \times V_{ac}$

If connecting the starting resistor after rectification (DC line), VIN is: $V1 = \sqrt{2} \times V_{ac}$
(V_{ac} = an effective value of the AC input voltage)

Example: On the condition that $R2 = 22 \text{ k}\Omega$ and the startup at $V_{ac} = 80 \text{ V}$ ($V_{IN} = 113 \text{ V}$) or less when connecting the starting resistor after rectification

$$\text{Condition for startup: } R1 < \frac{113 - 19.5}{0.035 + \frac{19.5}{22}} \quad R1 < 101 \text{ k}\Omega$$

$$\text{Condition for maintaining the latch: } R1 < \frac{113 - 10.5}{0.23 + \frac{10.5}{22}} \quad R1 < 145 \text{ k}\Omega$$

$$\text{Condition for maintaining the off-state: } R1 < \frac{113 - 10.5}{0.25 + \frac{10.5}{22}} \quad R1 < 141 \text{ k}\Omega$$

Therefore, 101k Ω or less of the starting resistance is required.

In the case of $R1 = 100 \text{ k}\Omega$:

$$\text{The approximate starting voltage is: } V_{IN} = R1 \times \left(0.035 + \frac{19.5}{R2} \right) + 19.5 = 100 \times \left(0.035 + \frac{19.5}{22} \right) + 19.5 = 112 \text{ V}$$

$$\text{The approximate latch release voltage is: } V_{IN} = R1 \times \left(0.23 + \frac{10.5}{R2} \right) + 10.5 = 100 \times \left(0.23 + \frac{10.5}{22} \right) + 10.5 = 81.2 \text{ V}$$

As shown above, the condition that the latch release voltage is less than the starting voltage is satisfied.

If neither the latch operation nor the on-off function is not used, it is enough to satisfy only the formula (4).

(2)Determining the VCC capacitor value

To properly start the power supply, a certain value is required for the value is required for the capacitor connected to the VCC pin.

Fig.20 shows the VCC voltage at startup when a proper value is given to the capacitor. When the input power is turned on, the capacitor connected to the VCC pin is charged via the startup resistor and the voltage increases. The IC is then in standby start and almost no current is consumed. ($I_{CC} < 2\mu A$) Thereafter, VCC reaches the OFF threshold voltage of UVLO (VCCON) and the IC begins operation. When the IC begins operation to make output, the IC operates based on the voltage from the auxiliary winding. When the IC is just starting up, however, it takes time for the voltage from the auxiliary winding to rise enough, and VCC drops during this period.

Determine the VCC capacitor value so that VCC will not drop down to the ON threshold voltage of UVLO (VCCOFF) during this period. When the VCC capacitor is too small, VCC will drop down to the ON threshold voltage of UVLO before the auxiliary winding to rise. It becomes impossible to startup the power supply as VCC repeats the top and bottom between the VCCOFF and VCCON in this case (Fig.21).

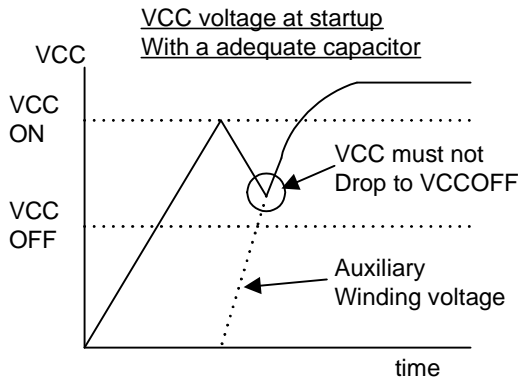


Fig.20

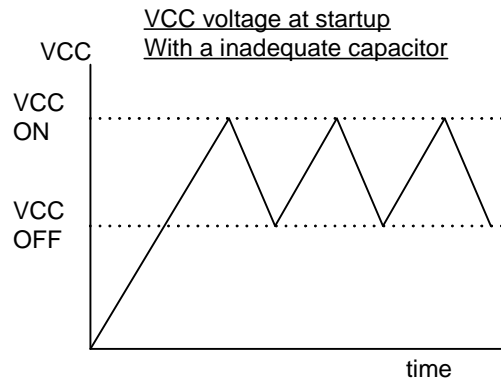


Fig.21

(3)The startup period

In the case of the circuit in Fig. 22 (R1: starting resistance), the starting time Tst [ms] until the IC is started after the power is turned on is determined by the following approximate formula:

$$T_{st} = -C2 \times R1 \times \ln\left(1 - \frac{17.5}{V1}\right) \dots\dots\dots(7)$$

In the case of the circuit in Fig. 23, the starting time Tst [ms] until the IC is started after the power is turned on is determined by the following approximate equation:

$$T_{st} = -C2 \times R0 \times \ln\left(1 - \frac{17.5}{V_{vcc}}\right) \dots\dots\dots(8) \quad R0 = \frac{R1 \cdot R2}{R1 + R2} \quad V_{vcc} = \frac{R2}{R1 + R2} \times V1$$

$$V1 = \begin{cases} \frac{\sqrt{2} \times Vac}{\pi} \dots\dots \text{(If the starting resistor is before rectification)} \dots\dots\dots(9) \\ \sqrt{2} \times Vac \dots\dots \text{(If the starting resistor is after rectification)} \dots\dots\dots(10) \end{cases}$$

Where, R1: starting resistance [kΩ], C2: the capacitor between the VCC and the GND [μF], Vac: an effective value of the AC input voltage [V]

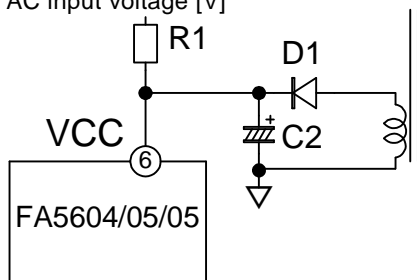


Fig.22

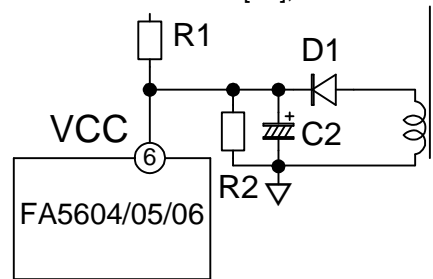


Fig.23

The above formulas are intended for approximate calculation of the starting time. Please note that the calculation results may not actually be the same as measured values because of the startup current or the like.

To shorten the startup period, the capacitor C2 or resistor R1 should be decreased. But in some case, such as when the load current of the power supply is changed rapidly, you may want to prolong the hold time of the VCC voltage over the VCC the OFF threshold. In this case, the capacitor C2 cannot be decreased and the resistor R1 should be decreased. But loss of the resistor R1 increases. In such case, the circuit shown in **Fig.24** and **Fig.25** is effective to shorten startup period without increasing the loss of the resistor R1. The capacitor C2 is decreased to shorten the startup period and, after the IC startup, VCC voltage supplied from C3 to prolong the hold time of the VCC voltage. The startup period of this circuit also is approximately given by the expression in (7) and (8).

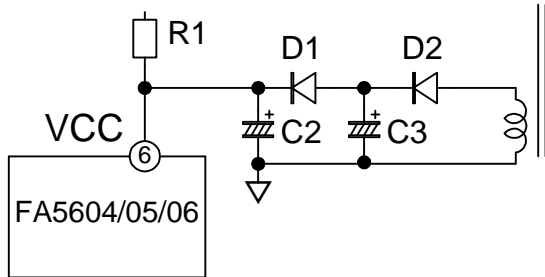


Fig.24

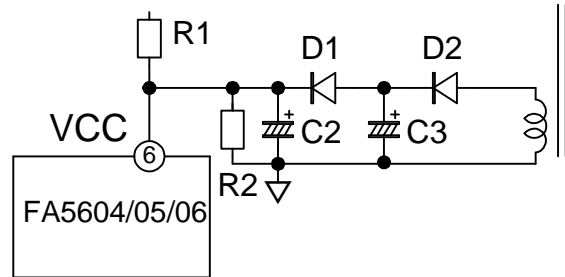


Fig.25

(4)Feedback pin circuit

Fig.26 shows an example of connection in which a feedback signal is input to the FB pin. If this circuit causes power supply instability, connect R3 and C4 as shown in **Fig.26** to decrease the frequency gain. Set R3 between several 10Ω to several kΩ and C4 between several 100pF to 1μF.

In noise is applied to the FB pin, the output pulses may be lacked or disturbed.

In this case, connect a capacitor C5 as shown in **Fig.26** to suppress the noise applied to the FB pin. Set the capacitor of C5 less than 1/10 of capacitance of C4 and connect C5 as near the IC as possible.

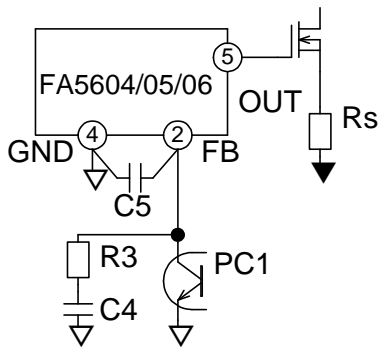


Fig.26

(5)The correct overcurrent limiting protection

The output power at overvoltage is limited by the overcurrent limiting function of the IC. However, in general, the characteristics that the voltage is reduced while the current is increased is shown as indicated in “(1) Not corrected” in Fig. 27.

For this IC, as shown in Fig. 28, it is possible to correct the overcurrent limit in order to obtain the output characteristics like (2) by smoothing the OUT terminal voltage by R4 and C6 and apply it to the VF terminal for the forward circuit, or by applying the VCC voltage to the VF terminal for the flyback circuit. In addition, it is possible to obtain the output characteristics like (3) by adding R5 and D3 to correct it

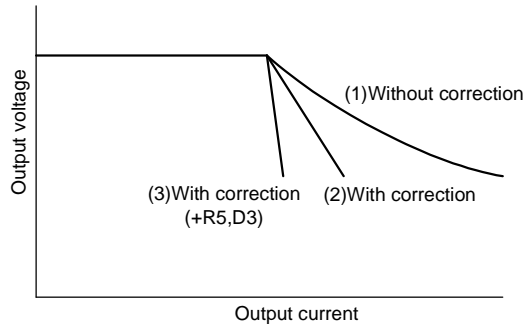


Fig.27

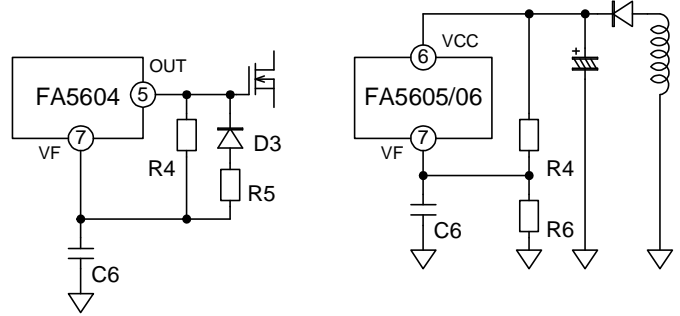


Fig.28

Note that if correcting the drooping characteristics at the power supply for which a hiccup operation is used, the power supply may not start because a hiccup operation is started at the startup depending on the CS terminal capacity (soft start) and the drooping correction constant (Fig. 29).

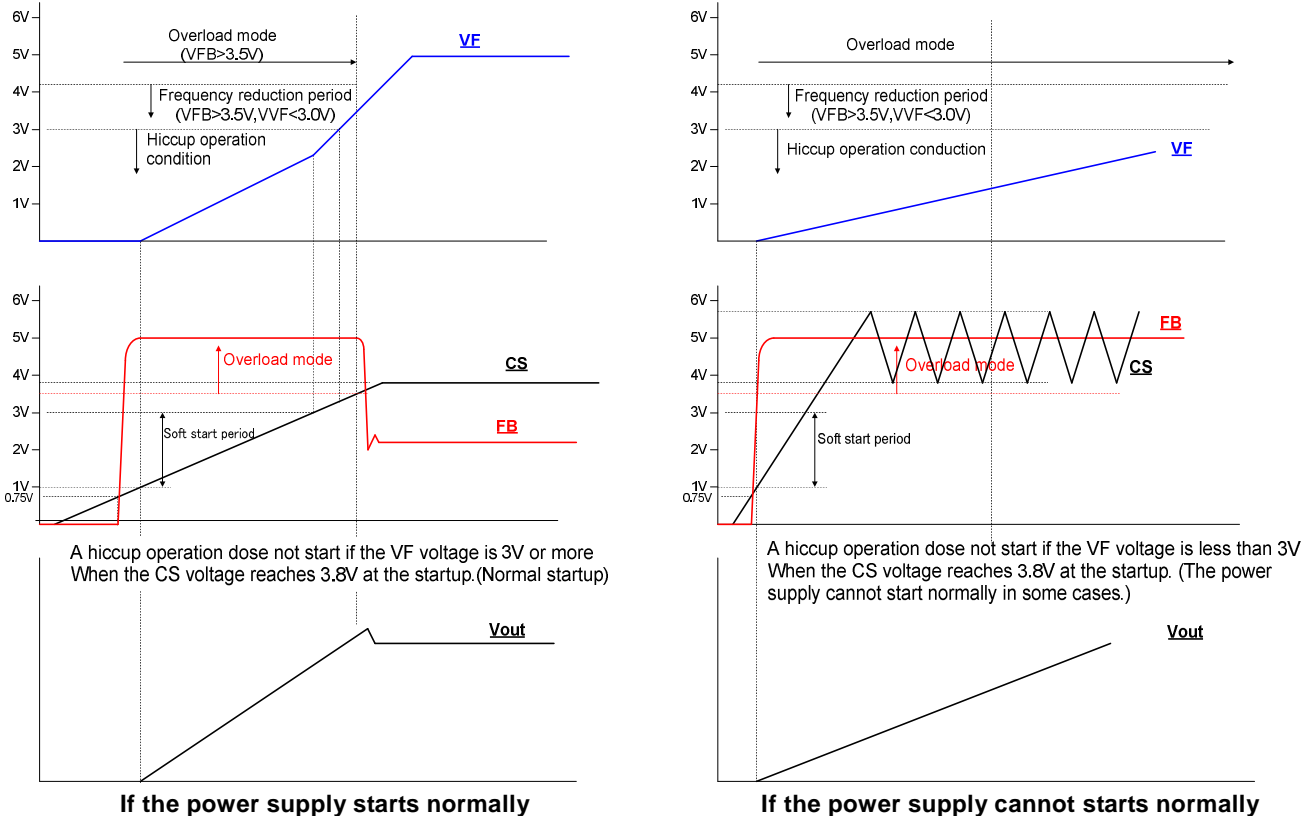


Fig.29

Because this IC adopts the frequency reduction method in which only the off period is extended, if the frequency is reduced at overload, the ON duty is also reduced, and therefore the output voltage is reduced. Consequently, the load current is reduced at the point in which it enters the drooping characteristics at overload (see Fig. 5 on p. 16).

(6) Preventing malfunction caused by noise

Noise applied to each pin may cause malfunction of the IC. If noise causes malfunction, see the notes summarized below and confirm in actual circuit to prevent malfunction.

- ① The IS pin for overcurrent limiting function detects the MOSFET current converted to the voltage. The parasitic capacitor and inductor of the MOSFET, transformer, wiring, etc. cause a noise in switching operation. If this switching noise causes a malfunction of overcurrent limiting function, insert the RC filter into IS pin as shown in Fig.13. Connect this capacitor as near the IC as possible to suppress noise effectively.
- ② If noise is applied to the FB pin, the output pulses may be disturbed. In this case, see .item (4) in Design advice.
- ③ Relatively large noise may occur at the VCC pin because large current flows from VCC pin to drive the MOSFET. Then noise may cause malfunction of the IC. In addition, the IC may stop operation when VCC voltage drops below the off threshold voltage by noise. Mind that capacitance and characteristics of the capacitor connected between VCC and GND pin not to allow the large noise at the VCC pin. To prevent malfunction, connect several 10μF electrolytic capacitor and about 0.1μF ceramic capacitor as near the IC as possible to suppress noise effective (Connect the ceramic capacitor nearer the IC than the electrolytic capacitor by priority).
- ④ RT terminal may cause a malfunction. It is recommended to install a capacitor of about 100 pF between the RT terminal and the GND. The line regulation may also be improved by this measure.

(7) Preventing malfunction caused by negative voltage applied to a pin

When large negative voltage is applied to each IC pin, a parasitic element in the IC may operate and cause malfunction. Be careful not allow the voltage applied to each pin to drop below -0.3V.

Especially for the OUT pin, voltage oscillation caused after the MOSFET turns off may be applied to the OUT pin via the parasitic capacitance of the MOSFET, causing the negative voltage to be applied to the OUT pin. If the voltage falls below -0.3V, add a Schottky diode between the OUT pin and the ground as shown in Fig.30.

The forward voltage of the Schottky diode can suppress the voltage applied to the OUT pin.

Use the low forward voltage of the Schottky diode.

Similarly, be careful not to cause the voltages at other pins fall below -0.3V.

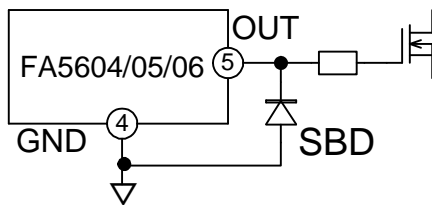


Fig.30

(8) Gate circuit configuration

To adjust switching speeds or prevent oscillation at gate terminals, resistors are normally inserted between the power MOSFET gate terminal to be driven and the OUT pin of the IC.

You may prefer to decide on the drive current independently, to turn the MOSFET on and off.

If so, connect the MOSFET gate terminal to the OUT pin of the IC as shown in Fig.31.

In this circuit, Rg1 and Rg2 restrict the current when the MOSFET is turned on, and only Rg1 restricts the current when it is turned off.

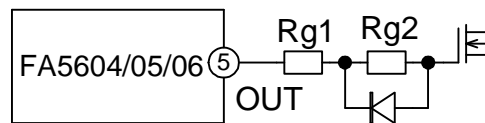


Fig.31

(9) External latch (overvoltage protection on secondary side)

Fig.32 shows the overvoltage shutdown circuit based on the signal from the secondary side.

The optocoupler output transistor is connected between the CS and VCC pins. When the output voltage is put in the overvoltage state, the optocoupler output transistor goes on to raise the CS pin voltage via resistor R2. When the CS pin voltage exceeds the reference voltage (7.3V) of internal comparator, the IC enters the OFF latch mode and shuts the output down. The IC consumes current 190µA (typ.) (VCC=14V) in latch mode. This circuit must be supplied via startup resistor R1. The overvoltage protection circuit can be reset by lowering the supply voltage VCC to below 9.7V or forcing the CS pin voltage below 7.3V.

In normal operation, the CS pin voltage is clamped by the 3.8V zener diode with maximum sink current 100µA (max.). Therefore, to raise the CS pin voltage to 7.3V or more, 200µA or a higher current needs to be supplied from the optocoupler. Set the current input to the CS pin to 2mA or less.

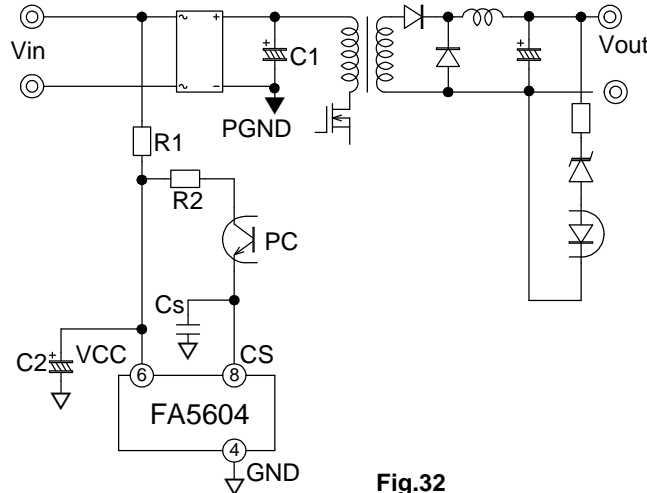


Fig.32

(10) Not used the overload shutdown function

As explained by pre-block (6), the clamp CS pin voltage (3.8V) is canceled at overload (VFB>3.5V, VVF<3V), and the CS pin voltage oscillates and counts between 3.8V and 5.7V. The overload shutdown function is prevented by clamping the CS pin voltage on the outside.

Fig.33 shows the CS pin voltage is clamped by internal zener diode ZD. In this case, because of zener current Iz is 10 µA, please set the zener voltage to between 3.8V to 5.7V.

$$V_{CS} = V_z = 3.8V \text{ to } 5.7V \quad \dots\dots\dots (11)$$

Moreover, when the overvoltage protection function is made effective, you set external pull-up to exceed the latch threshold voltage 7.3V by using the zener diode ZD and the resistor R (Fig.28). In that case, the zener voltage Vz should consider the voltage (R×Iz) of the resistor R.

$$V_{CS} = V_z + (R \times I_z) = 3.8V \text{ to } 5.7V \quad \dots\dots\dots (12)$$

When the IC operate of overvoltage protection, to raise the CS pin voltage to 7.3V or more, 200µA to 2mA current needs to be supplied. In this case, because the zener current Izovp (1mA etc) differs from Iz=10µA, the zener voltage Vzovp differs from Vz.

$$V_{CS} = V_{zovp} + (R \times I_{zovp}) \geq 7.3V \quad \dots\dots\dots (13)$$

Because a method in which the VF pin is not reduced to less than 3 V interferes with reduction of the frequency, it is recommended to use a method in which the CS pin is clamped by the Zener diode.

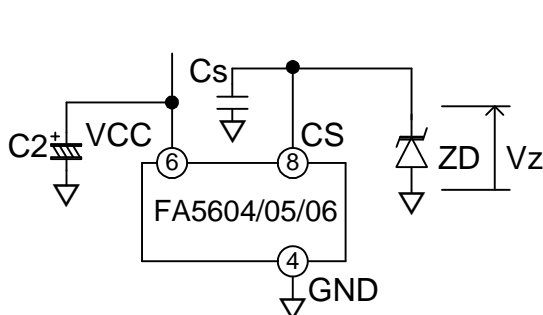


Fig.33

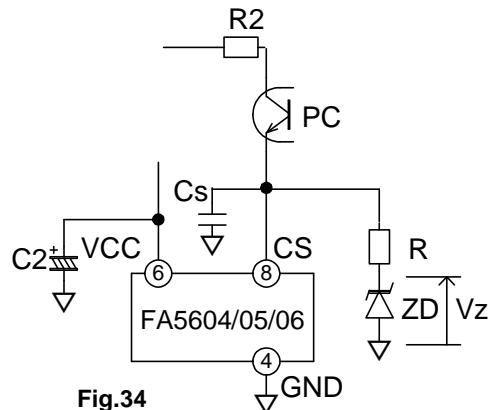


Fig.34

(11) Loss calculation

IC loss must be confirmed to use the IC within the ratings.

Since it is hard to directly measure IC loss, some examples of calculating approximate IC loss are given below.

(11-1) Calculation example 1

Suppose the supply voltage is VCC, IC current consumption is ICC, the total gate charge of the power MOSFET is Qg, and the switching frequency is fosc. Total IC loss Pd can be calculated by:

$$Pd \approx VCC \times (ICC + Qg \times fosc) \quad \dots\dots\dots (14)$$

This expression calculates an approximate value of Pd, which is normally a little larger than the actual loss. Since various conditions such as temperature characteristics apply, thoroughly verify the appropriateness of the calculation under all applicable conditions.

Example:

When VCC=18V, ICC=3mA (max.) is obtained from the specifications. Suppose Qg=80nC and fosc=190kHz.

$$Pd \approx 18V \times (3mA + 80nC \times 190kHz) \approx 328mW$$

(11-2) Calculation example 2

The IC loss consists of the loss caused by operation of the control circuit and the loss caused at the output circuit to drive the power MOSFET.

① Loss at the control circuit

The loss caused by operation of the IC control circuit is calculated by the supply voltage and IC current consumption. When the supply voltage is VCC and IC current consumption is ICC, loss Pcon at the control circuit is:

$$Pcon = VCC \times ICC \quad \dots\dots\dots (15)$$

Example:

When VCC=18V, ICC=1.6mA (max.) is obtained from the specifications. The typical IC loss is given by:

$$Pcon = 18V \times 1.6mA \approx 29mW$$

② Loss at the output circuit

The output circuit of the IC is a MOSFET push-pull circuit. When the ON resistances of MOSFETs making up the output circuit are Ron and Roff, the resistances can be determined as shown below based on VCC=18V obtained from the output characteristics shown in the specifications:

$$Ron = 15\Omega \text{ (typ)}, \quad Roff = 7\Omega \text{ (typ)}$$

When the total gate charge of the power MOSFET is Qg, the switching frequency is fosc, the supply voltage is VCC and gate resistance is Rg, the loss (Pdr) caused at the IC output circuit is given by:

$$Pdr = \frac{1}{2} \times VCC \times Qg \times fosc \times \left(\frac{Ron}{Rg + Ron} + \frac{Roff}{Rg + Roff} \right) \quad \dots\dots\dots (16)$$

When gate resistance differs between ON and OFF as shown in **Fig.31**, the loss is given by:

$$Pdr = \frac{1}{2} \times VCC \times Qg \times fosc \times \left(\frac{Ron}{Rg1 + Rg2 + Ron} + \frac{Roff}{Rg1 + Roff} \right) \quad \dots\dots\dots (17)$$

Example:

When VCC=18V, Qg=80nC, fosc=190 kHz and Rg=10Ω, the typical IC loss is given by:

$$Pdr = \frac{1}{2} \times 18V \times 80nC \times 190kHz \times \left(\frac{15\Omega}{10\Omega + 15\Omega} + \frac{7\Omega}{10\Omega + 7\Omega} \right) = 138mW$$

Total loss

The total loss (Pd) of the IC is the sum of the control circuit loss (Pcon) and the output circuit loss (Pdr) calculated previously:

$$Pd = Pcon + Pdr \quad \dots\dots\dots (18)$$

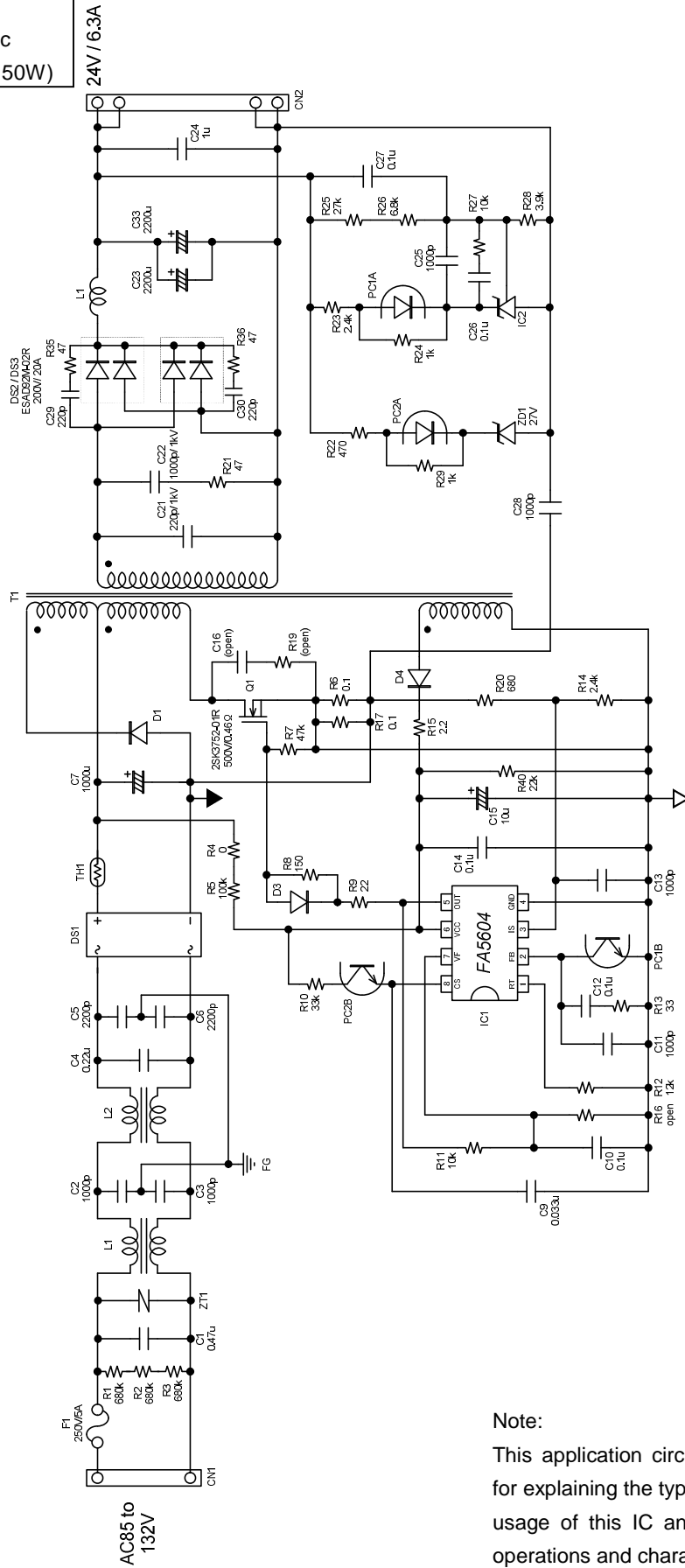
Example:

The standard IC loss under the conditions used in ① and ② above are:

$$Pd = Pcon + Pdr = 29mW + 138mW = 167mW$$

11 .Application circuit

- Forward
- Input ; 85Vac to 132Vac
- Output ; 24Vdc,6.3A (150W)



Note:

This application circuit example is a reference for explaining the typical usage of this IC and does not guarantee the operations and characteristics.