



www.datasheet4u.com

FAN2108 — TinyBuck™

3-24V Input, 8A, High-Efficiency, Integrated Synchronous Buck Regulator

Features

- Wide Input Voltage Range: 3V-24V
- Wide Output Voltage Range: 0.8V to 80% V_{IN}
- 8A Output Current
- Programmable Frequency Operation: 200KHz to 600KHz
- Over 95% Peak Efficiency
- Integrated Schottky Diode on Low-side MOSFET Boosts Efficiency
- Internal Bootstrap diode
- Power-Good Signal
- Pre-Bias Startup
- Accepts Ceramic Capacitors on Output
- External Compensation for Flexible Design
- Input Under-Voltage Lockout
- Programmable Current Limit
- Under-Voltage, Over-Voltage, and Thermal Shutdown Protections
- Internal Soft-Start
- 5x6mm, 25-Pin, 3-Pad MLP Package

Applications

- Servers
- Point-of-Load Regulation
- High-End Computing Systems
- Graphics Cards
- Battery-Powered Equipment
- Set-Top Boxes

Description

The FAN2108 TinyBuck™ is a highly efficient, small footprint, 8A, synchronous buck regulator.

The FAN2108 contains both synchronous MOSFETs and a controller/driver with optimized interconnects in one package, which enables designers to solve high-current requirements in a small area with minimal external components.

External compensation, programmable switching frequency, and current limit features allow design optimization and flexibility.

The summing current mode modulator uses lossless current sensing for current feedback and over-current protection. Voltage feedforward helps operation over a wide input voltage range.

Fairchild's advanced BiCMOS power process, combined with low- $R_{DS(ON)}$ internal MOSFETs and a thermally efficient MLP package, provide the ability to dissipate high power in a small package.

Output over-voltage, under-voltage, and thermal shutdown protections help protect the device from damage during fault conditions. FAN2108 prevents pre-biased output discharge during startup in point-of-load applications.

Ordering Information

Part Number	Operating Temperature Range	Package	Eco Status	Packing Method
FAN2108MPX	-10°C to 85°C	Molded Leadless Package (MLP) 5x6mm	Green	Tape and Reel
FAN2108EMPX	-40°C to 85°C	Molded Leadless Package (MLP) 5x6mm	Green	Tape and Reel

For Fairchild's definition of "green" Eco Status, please visit: http://www.fairchildsemi.com/company/green/rohs_green.html.

Typical Application

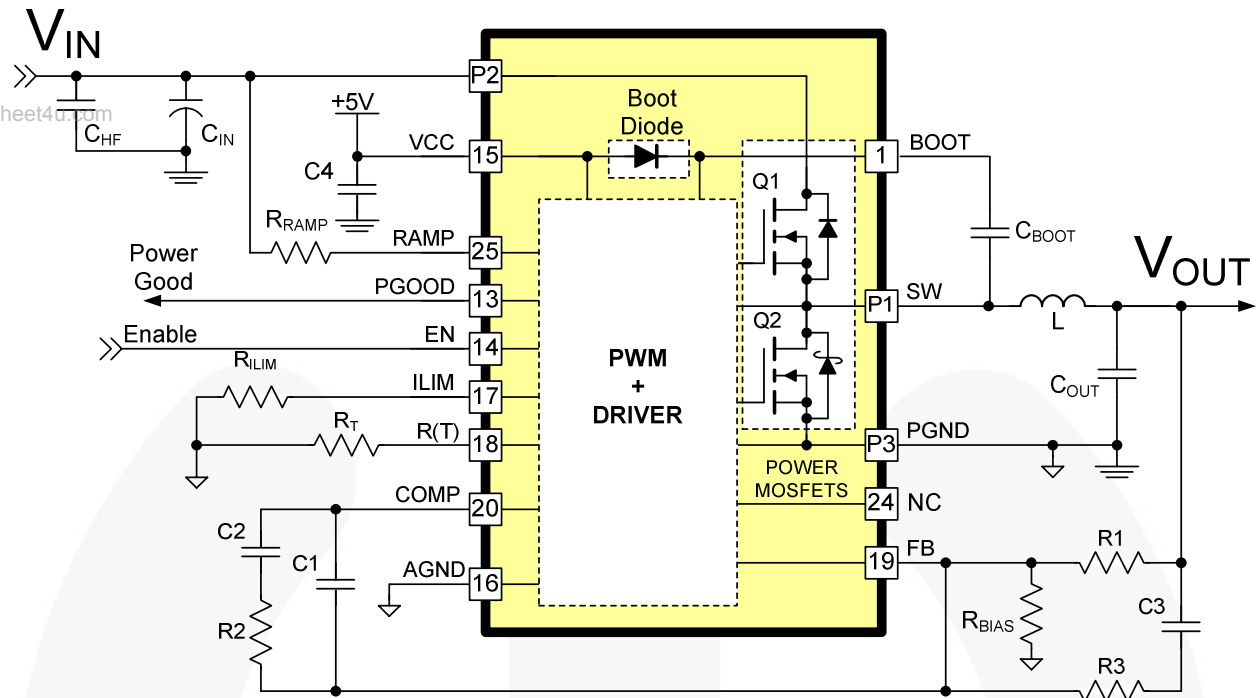


Figure 1. Typical Application Diagram

Block Diagram

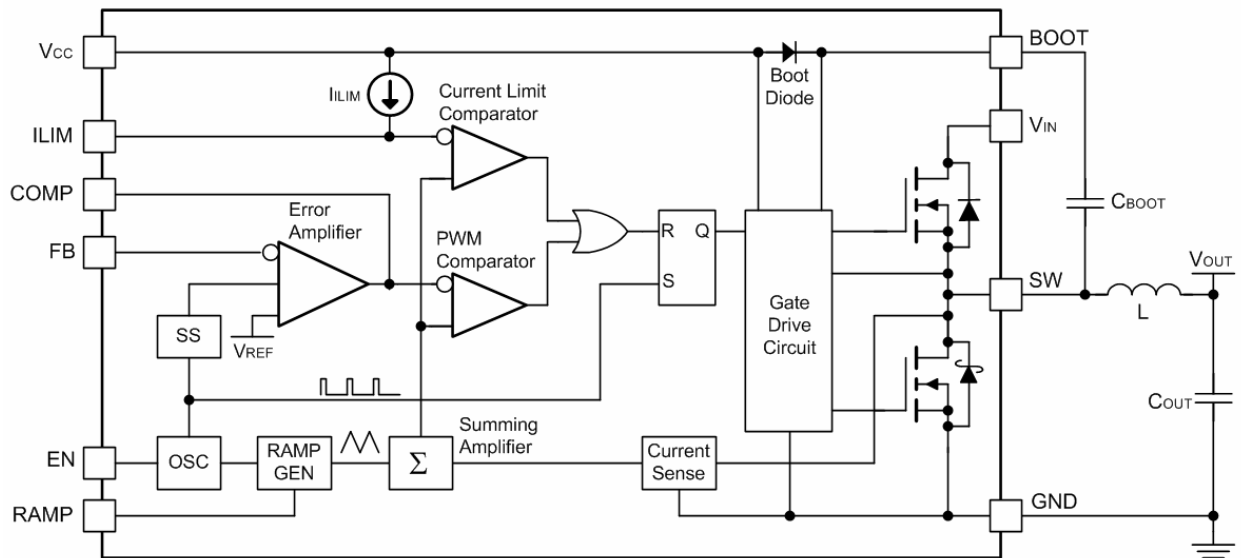


Figure 2. Block Diagram

Pin Configuration

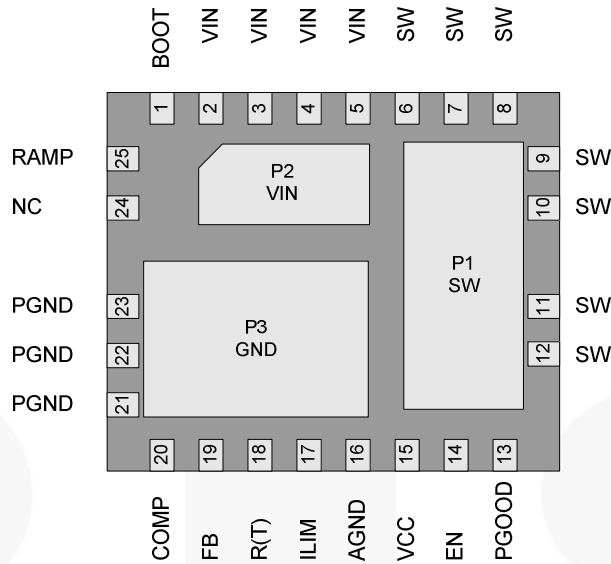


Figure 3. MLP 5x6mm Pin Configuration (Bottom View)

Pin Definitions

Pin #	Name	Description
P1, 6-12	SW	Switching Node.
P2, 2-5	VIN	Power Input Voltage. Connect to the main input power source.
P3, 21-23	PGND	Power Ground. Power return and Q2 source.
1	BOOT	High-Side Drive BOOT Voltage. Connect through capacitor (C_{BOOT}) to SW. The IC includes an internal synchronous bootstrap diode to recharge the capacitor on this pin to V_{CC} when SW is LOW.
13	PGOOD	Power-Good Flag. An open-drain output that pulls LOW when FB is outside a $\pm 10\%$ range of the reference. PGOOD does not assert HIGH until the fault latch is enabled.
14	EN	ENABLE. Enables operation when pulled to logic HIGH or left open. Toggling EN resets the regulator after a latched fault condition. This input has an internal pull-up when the IC is functioning normally. When a latched fault occurs, EN is discharged by a current sink.
15	VCC	Input Bias Supply for IC. The IC's logic and analog circuitry are powered from this pin.
16	AGND	Analog Ground. The signal ground for the IC. All internal control voltages are referred to this pin. Tie this pin to the ground island/plane through the lowest impedance connection.
17	ILIM	Current Limit. A resistor (R_{ILIM}) from this pin to AGND can be used to program the current-limit trip threshold lower than the default setting.
18	R(T)	Oscillator Frequency. A resistor (R_T) from this pin to AGND sets the PWM switching frequency.
19	FB	Output Voltage Feedback. Connect through a resistor divider to the output voltage.
20	COMP	Compensation. Error amplifier output. Connect the external compensation network between this pin and FB.
24	NC	No Connect. This pin is not used.
25	RAMP	Ramp Amplitude. A resistor (R_{RAMP}) connected from this pin to V_{IN} sets the ramp amplitude and provides voltage feedforward functionality.

Absolute Maximum Ratings

Stresses exceeding the absolute maximum ratings may damage the device. The device may not function or be operable above the recommended operating conditions and stressing the parts to these levels is not recommended. In addition, extended exposure to stresses above the recommended operating conditions may affect device reliability. The absolute maximum ratings are stress ratings only.

Parameter	Conditions	Min.	Max.	Unit
V _{IN} to PGND			28	V
V _{CC} to AGND	AGND=PGND		6	V
BOOT to PGND			35	V
BOOT to SW		-0.3	6.0	V
SW to PGND	Continuous	-0.5	24.0	V
	Transient (t < 20ns, f ≤ 600KHz)	-5	30	V
All other pins		-0.3	V _{CC} +0.3	V
ESD	Human Body Model, JEDEC JESD22-A114	2		kV
	Charged Device Model, JEDEC JESD22-C101	2.5		

Recommended Operating Conditions

The Recommended Operating Conditions table defines the conditions for actual device operation. Recommended operating conditions are specified to ensure optimal performance to the datasheet specifications. Fairchild does not recommend exceeding them or designing to absolute maximum ratings.

Symbol	Parameter	Conditions	Min.	Typ.	Max.	Unit
V _{CC}	Bias Voltage	V _{CC} to AGND	4.5	5.0	5.5	V
V _{IN}	Supply Voltage	V _{IN} to PGND	3		24	V
T _A	Ambient Temperature	FAN2108MPX	-10		+85	°C
		FAN2108EMPX	-40		+85	°C
T _J	Junction Temperature				+125	°C
f	Switching Frequency				600	kHz

Thermal Information

Symbol	Parameter	Min.	Typ.	Max.	Unit
T _{STG}	Storage Temperature	-65		+150	°C
T _L	Lead Soldering Temperature, 10 Seconds			+300	°C
T _{VP}	Vapor Phase, 60 Seconds			+215	°C
T _I	Infrared, 15 Seconds			+220	°C
θ _{JC}	Thermal Resistance: Junction-to-Case	P1 (Q2)	4		°C/W
		P2 (Q1)	7		°C/W
		P3	4		°C/W
θ _{J-PCB}	Thermal Resistance: Junction-to-Mounting Surface ⁽¹⁾		35		°C/W
P _D	Power Dissipation, T _A =25°C ⁽¹⁾			2.8	W

Note:

- Typical thermal resistance when mounted on a four-layer, two-ounce PCB, as shown in Figure 24. Actual results are dependent on mounting method and surface related to the design.

Electrical Specifications

Electrical specifications are the result of using the circuit shown in Figure 1 unless otherwise noted.

Symbol	Parameter	Conditions	Min.	Typ.	Max.	Unit
Power Supplies						
I _{CC}	V _{CC} Current	SW=Open, FB=0.7V, V _{CC} =5V, f _{SW} =600KHz		8	12	mA
		Shutdown: EN=0, V _{CC} =5V		7	10	μA
V _{UVLO}	V _{CC} UVLO Threshold	Rising V _{CC}	4.1	4.3	4.5	V
		Hysteresis		300		mV
Oscillator						
f	Frequency	R _T =50KΩ	255	300	345	KHz
		R _T =24KΩ	540	600	660	KHz
t _{ON}	Minimum On-Time ⁽²⁾			50	65	ns
V _{RAMP}	Ramp Amplitude, peak-to-peak	16V _{IN} , 1.8V _{OUT} , R _T =30KΩ, R _{RAMP} =200KΩ		0.53		V
t _{OFF}	Minimum Off-Time ⁽²⁾			100	150	ns
Reference						
V _{FB}	Reference Voltage (see Figure 4 for Temperature Coefficient)	FAN2108MPX, 25°C	794	800	806	mV
		FAN2108EMPX, 25°C	795	800	805	mV
Error Amplifier						
G	DC Gain ⁽²⁾	V _{CC} =5V	80	85		dB
BW	Gain Bandwidth Product ⁽²⁾		12	15		MHz
V _{COMP}	Output Voltage		0.4		3.2	V
I _{SINK}	Output Current, Sourcing	V _{CC} =5V, V _{COMP} =2.2V	1.5	2.2		mA
I _{SOURCE}	Output Current, Sinking	V _{CC} =5V, V _{COMP} =1.2V	0.8	1.2		mA
I _{BIAS}	FB Bias Current	V _{FB} =0.8V, 25°C	-850	-650	-450	nA
Protection and Shutdown						
I _{LIM}	Current Limit	R _{LIM} Open at 25°C (see Circuit Description)	12	15	18	A
I _{LIM}	I _{LIM} Current		-11	-10	-9	μA
T _{TSD}	Over-Temperature Shutdown	Internal IC Temperature		+155		°C
T _{HYS}	Over-Temperature Hysteresis			+30		°C
V _{OV}	Over-Voltage Threshold	Two Consecutive Clock Cycles	110	115	121	%V _{OUT}
V _{UVLO}	Under-Voltage Shutdown	16 Consecutive Clock Cycles	68	73	78	%V _{OUT}
V _{FLT}	Fault Discharge Threshold	Measured at FB Pin		250		mV
V _{FLT_HYS}	Fault Discharge Hysteresis	Measured at FB Pin (V _{FB} ~500mV)		250		mV
Soft-Start						
t _{SS}	V _{OUT} to Regulation (T0.8)	Frequency=600KHz		5.3		ms
t _{EN}	Fault Enable/SSOK (T1.0)			6.7		ms

Note:

- Specifications guaranteed by design and characterization; not production tested.

Electrical Specifications (Continued)

Recommended operating conditions are the result of using the circuit shown in Figure 1 unless otherwise noted.

Symbol	Parameter	Conditions	Min.	Typ.	Max.	Unit
Control Functions						
V _{EN_R}	EN Threshold, Rising			1.35	2.00	V
V _{EN_HYS}	EN Hysteresis			250		mV
R _{EN}	EN Pull-Up Resistance			800		KΩ
I _{EN}	EN Discharge Current	Auto-Restart Mode		1		μA
R _{FB}	FB OK Drive Resistance				800	Ω
V _{PG}	PGOOD Threshold	FB < V _{REF}	-14	-11	-8	%V _{REF}
		FB > V _{REF}	+7	+10	+13.5	
V _{PG_L}	PGOOD Output Low	I _{OUT} ≤ 2mA			0.4	V

Typical Characteristics

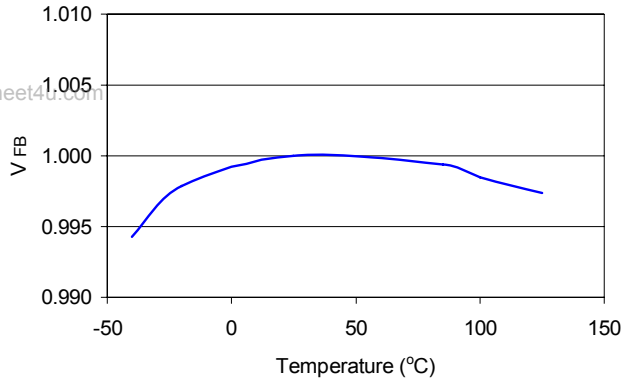


Figure 4. Reference Voltage (V_{FB}) vs. Temperature, Normalized

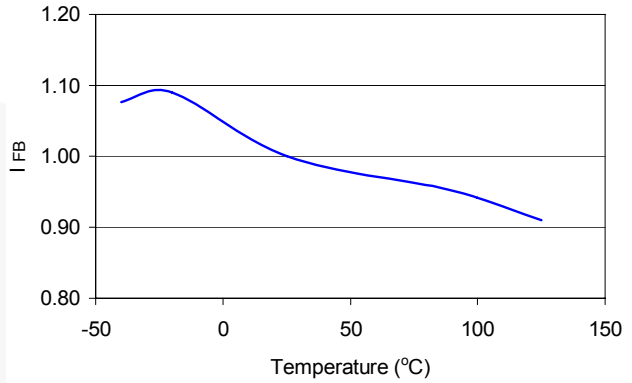


Figure 5. Reference Bias Current (I_{FB}) vs. Temperature, Normalized

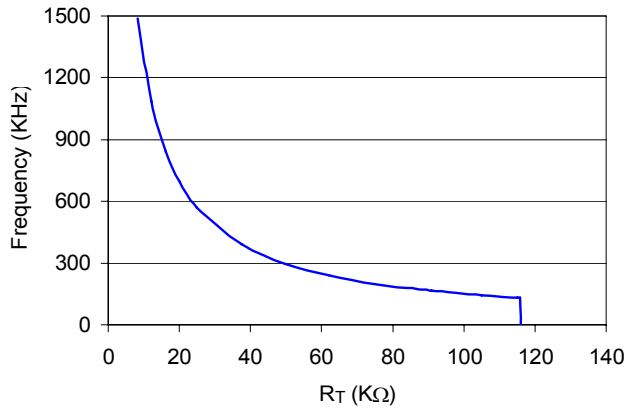


Figure 6. Frequency vs. R_T

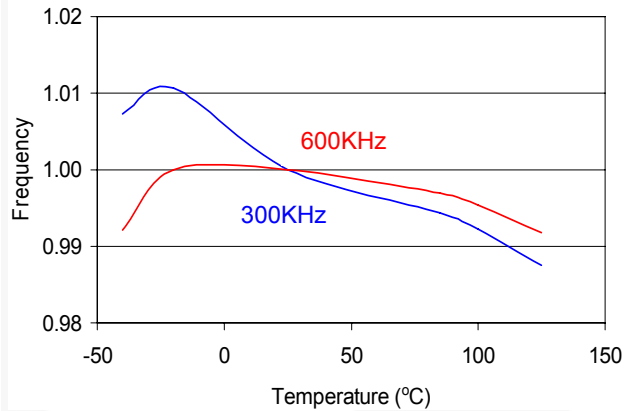


Figure 7. Frequency vs. Temperature, Normalized

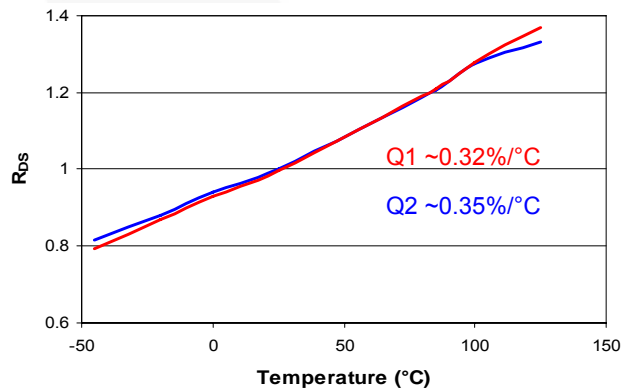


Figure 8. R_{DS} vs. Temperature, Normalized ($V_{CC}=V_{GS}=5V$)

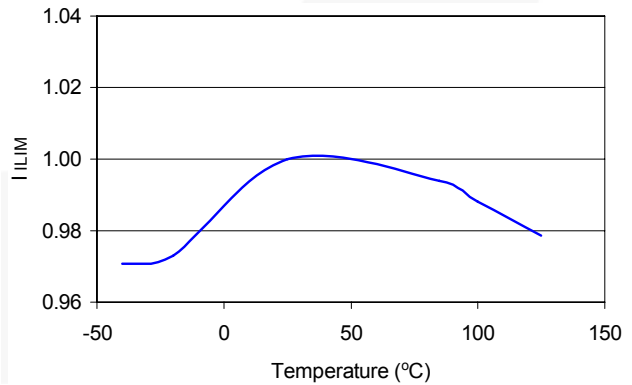


Figure 9. I_{LIM} Current (I_{LIM}) vs. Temperature, Normalized

Application Circuit

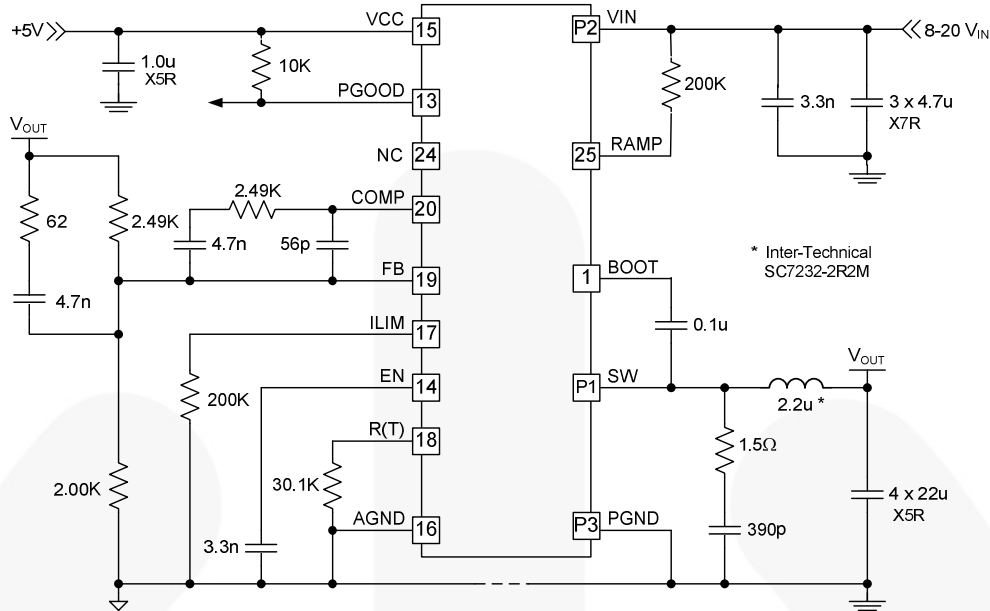


Figure 10. Application Circuit: 1.8V_{OUT}, 500KHz

Typical Performance Characteristics

Typical operating characteristics using the circuit shown in Figure 10. V_{IN}=12V, V_{CC}=5V, unless otherwise specified.

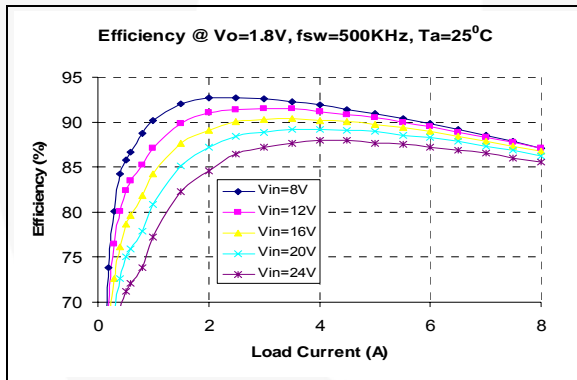


Figure 11. 1.8V_{OUT} Efficiency Over V_{IN} vs. Load

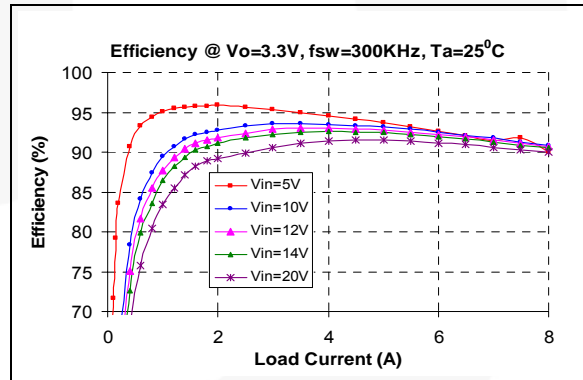


Figure 12. 3.3V_{OUT} Efficiency Over V_{IN} vs. Load

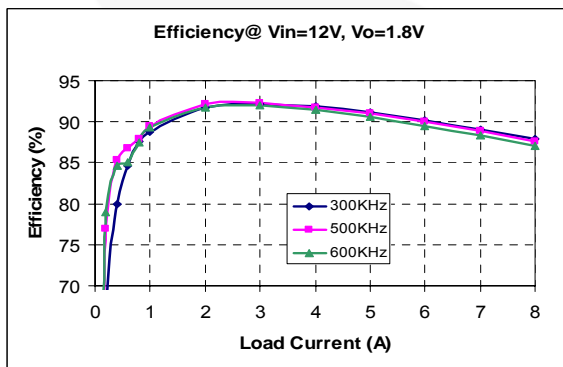


Figure 13. 1.8V_{OUT} Efficiency Over Frequency vs. Load

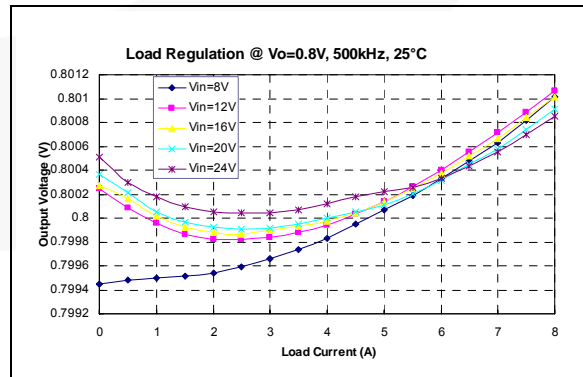


Figure 14. 0.8V_{OUT} Load Regulation Over V_{IN} vs. Load

Typical Performance Characteristics (Continued)

Typical operating characteristics using the circuit shown in Figure 10. $V_{IN}=12V$, $V_{CC}=5V$, unless otherwise specified.

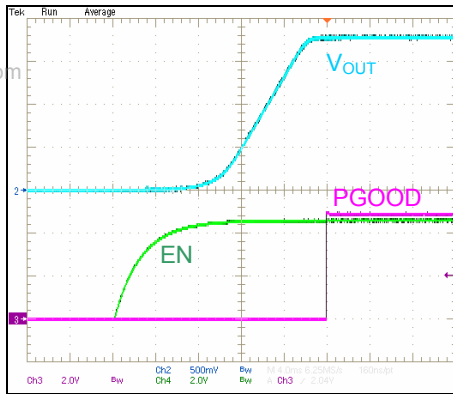


Figure 15. Startup, 3A Load

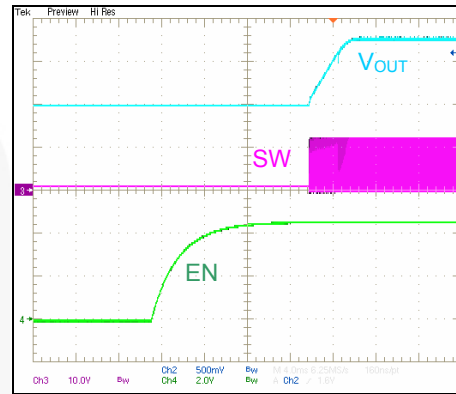


Figure 16. Startup with 1V Pre-Bias on V_{out}

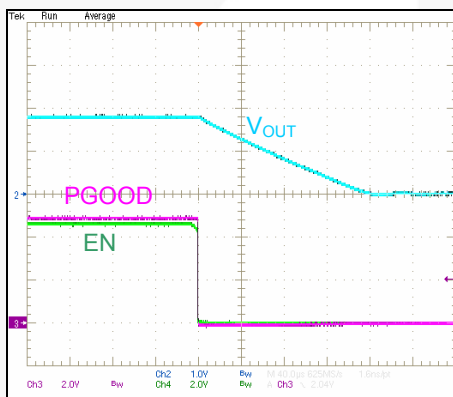


Figure 17. Shutdown, 1A Load

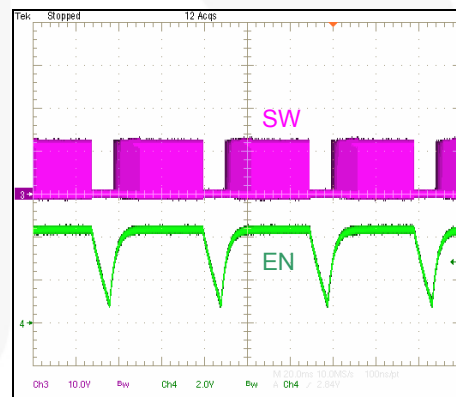


Figure 18. Restart on Fault

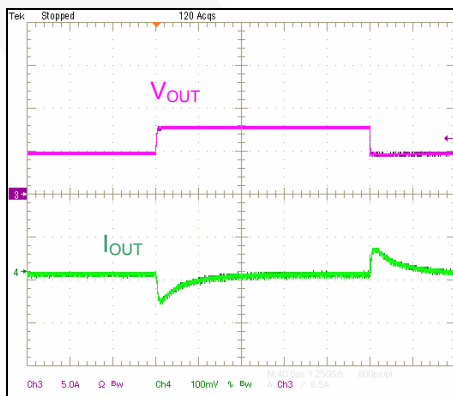


Figure 19. Transient Response, 2-8A Load

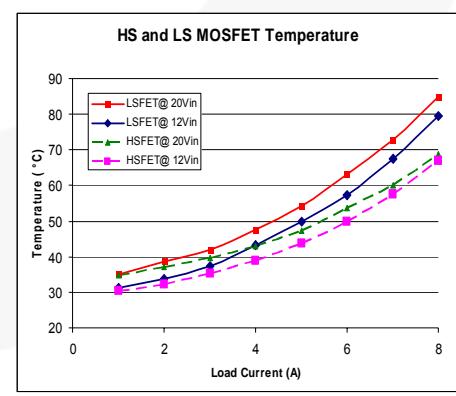


Figure 20. MOSFET Temperature – Still Air at Room Temperature

Circuit Description

Initialization

Once V_{CC} exceeds the UVLO threshold and EN is HIGH, the IC checks for an open or shorted FB pin before releasing the internal soft-start ramp (SS).

If R1 is open (Figure 1), the error amplifier output (COMP) is forced LOW and no pulses are generated. After the SS ramp times out (T1.0), an under-voltage latched fault occurs.

If the parallel combination of R1 and R_{BIAS} is $\leq 1K\Omega$, the internal SS ramp is not released and the regulator does not start.

Bias Supply

The FAN2108 requires a 5V supply rail to bias the IC and provide gate-drive energy. Connect a $\geq 1.0\mu f$ X5R or X7R decoupling capacitor between VCC and PGND.

Since V_{CC} is used to drive the internal MOSFET gates, supply current is frequency and voltage dependent. Approximate V_{CC} current (I_{CC}) is calculated by:

$$I_{CC(mA)} = 4.58 + \left[\left(\frac{V_{CC} - 5}{227} + 0.013 \right) \cdot (f - 128) \right] \quad (1)$$

where frequency (f) is expressed in KHz.

Enable

FAN2108 has an internal pull-up to enable pin so that the IC is enabled once V_{CC} is applied. Connecting a small capacitor across EN and AGND delays the rate of voltage rise on the EN pin. EN pin also serves for the restart whenever a fault occurs (refer to the *Auto-Restart* section). For applications where sequencing is required, FAN2108 can be enabled (after the V_{CC} comes up) with external control, as shown in Figure 20.

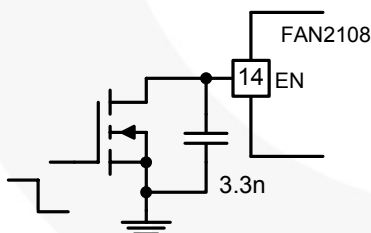


Figure 20. Enabling with External Control

Setting the Frequency

Oscillator frequency is determined by an external resistor, R_T , connected between the R(T) pin and AGND. Resistance is calculated by:

$$R_{T(K\Omega)} = \frac{(10^6 / f) - 135}{65} \quad (2)$$

where R_T is in $K\Omega$ and frequency (f) is in KHz.

The regulator cannot start if R_T is left open.

Soft-Start

Once internal SS ramp has charged to 0.8V (T0.8), the output voltage is in regulation. Until SS ramp reaches 1.0V (T1.0), the fault latch is inhibited.

To avoid skipping the soft-start cycle, it is necessary to apply V_{IN} before V_{CC} reaches its UVLO threshold.

Soft-start time is a function of oscillator frequency.

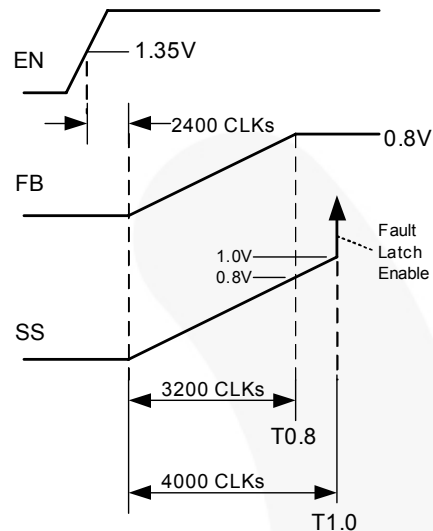


Figure 21. Soft-Start Timing Diagram

The regulator does not allow the low-side MOSFET to operate in full synchronous rectification mode until internal SS ramp reaches 95% of V_{REF} (~0.76V). This helps the regulator to start on a pre-biased output and ensures that inductor current does not "ratchet" up during the soft-start cycle.

V_{CC} UVLO or toggling the EN pin discharges the SS and resets the IC.

Setting the Output Voltage

The output voltage of the regulator can be set from 0.8V to 80% of V_{IN} by an external resistor divider (R1 and R_{BIAS} in Figure 1).

The internal reference is 0.8V with 650nA, sourced from the FB pin to ensure that, if the pin is open, the regulator does not start.

The external resistor divider is calculated using:

$$\frac{0.8V}{R_{BIAS}} = \frac{V_{OUT} - 0.8V}{R1} + 650nA \quad (3)$$

Connect R_{BIAS} between FB and AGND.

Calculating the Inductor Value

Typically the inductor is set for a ripple current (ΔI_L) of 10% to 35% of the maximum DC load. Regulators requiring fast transient response use a value on the high side of this range; while regulators that require very low output ripple and/or use high-ESR capacitors restrict allowable ripple current.

$$L = \frac{V_{OUT} \cdot (1 - \frac{V_{OUT}}{V_{IN}})}{\Delta I_L \cdot f} \quad (4)$$

where f is the oscillator frequency.

Setting the Ramp Resistor Value

The internal ramp voltage excursion (ΔV_{RAMP}) during t_{ON} should be set to 0.6V at nominal operating point. R_{RAMP} is approximately:

$$R_{RAMP(K\Omega)} = \frac{(V_{IN} - 1.8) \cdot V_{OUT}}{18 \times 10^{-6} \cdot V_{IN} \cdot f} - 2 \quad (5)$$

where frequency (f) is expressed in KHz.

Setting the Current Limit

There are two levels of current-limit thresholds in FAN2108. The first level of protection is through an internal default limit set at the factory to limit output current beyond normal usage levels. The second level of protection is externally settable at the ILIM pin. Current-limit protection is enabled whenever the lower of the two thresholds is reached. FAN2108 uses its internal low-side MOSFET for current-sensing. The current-limit threshold voltage (V_{ILIM}) is compared to a scaled version of voltage drop across the low-side MOSFET, sampled at the end of each PWM off-time/cycle. The internal default threshold (with I_{LIM} open) is temperature compensated.

The ILIM pin can source a 10 μ A current that can be used to establish a lower, temperature-dependent, current-limit threshold by connecting a resistor (R_{ILIM}) between ILIM and AGND. R_{ILIM} can be approximated with the equation:

$$R_{ILIM(K\Omega)} = 95 + 3 \cdot I_{out} \cdot K_T \cdot K1 + \frac{V_{out} \cdot 3.33 \cdot 10^6}{R_{ramp} \cdot f_{sw}} \quad (6)$$

where:

- I = Desired current limit setpoint in Amps;
- K_T = Normalized temperature coefficient of the low-side MOSFET (Q2 from Figure 8);
- $K1$ = Overload co-efficient (use 1.2 to 1.4);
- V_{OUT} = Set output voltage;
- R_{ramp} = Ramp resistor used in $K\Omega$; and
- f_{sw} = Selected switching frequency in KHz.

After 16 consecutive, pulse-by-pulse, current-limit cycles, the fault latch is set and the regulator shuts down. Cycling V_{CC} or EN restores operation after a normal soft-start cycle (refer to *Auto-Restart* section).

The over-current protection fault latch is active during the soft-start cycle. Use a 1% resistor for R_{ILIM} .

In case R_{ILIM} is not connected, the IC uses an internal default current-limit threshold.

Loop Compensation

The loop is compensated using a feedback network around the error amplifier. Figure 22 shows a complete type-3 compensation network. For type-2 compensation, eliminate $R3$ and $C3$.

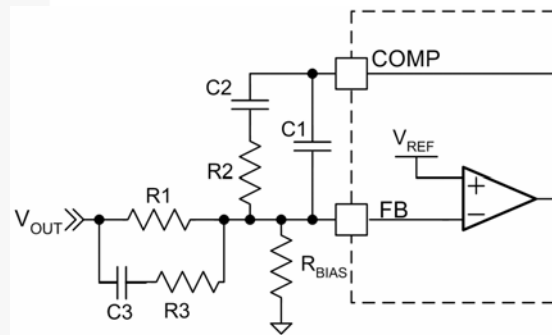


Figure 22. Compensation Network

Since the FAN2108 employs summing current-mode architecture, type-2 compensation can be used for many applications. For applications that require wide loop bandwidth and/or use very low-ESR output capacitors, type-3 compensation may be required.

Protection

The converter output is monitored and protected against extreme overload, short-circuit, over-voltage, under-voltage, and over-temperature conditions.

An internal fault latch is set for any fault intended to shut down the IC. When the fault latch is set, the IC discharges V_{OUT} by enhancing the low-side MOSFET until $FB < 0.25V$. The MOSFET is not turned on again unless $FB > 0.5V$. This behavior discharges the output without causing undershoot (negative output voltage).

Under-Voltage Shutdown

If voltage on the FB pin remains below the under-voltage threshold for 16 consecutive clock cycles, the fault latch is set and the converter shuts down. This protection is not active until the internal SS ramp reaches 1.0V during soft-start.

Over-Voltage Protection / Shutdown

If voltage on the FB pin exceeds the over-voltage threshold for two consecutive clock cycles, the fault latch is set and shutdown occurs.

A shorted high-side MOSFET condition is detected when SW voltage exceeds $\sim 0.7V$ while the low-side MOSFET is fully enhanced. The fault latch is set immediately upon detection.

The two fault protection circuits above are active all the time, including during soft-start.

Auto-Restart

After a fault, EN pin is discharged by a 1µA current sink to a 1.1V threshold before the internal 800KΩ pull-up is restored. A new soft-start cycle begins when EN charges above 1.35V.

Depending on the external circuit, the FAN2108 can be configured to remain latched-off or to automatically restart after a fault.

Table 1. Fault / Restart Configurations

EN Pin	Controller / Restart State
Pull to GND	OFF (Disabled)
Pull-up to V _{CC} with 100K	No Restart – Latched OFF (After V _{CC} Comes Up)
Open	Immediate Restart After Fault
Cap. to GND	New Soft-Start Cycle After: $t_{DELAY} (ms) = 3.9 \cdot C(nf)$

With EN is left open, restart is immediate.

If auto-restart is not desired, tie the EN pin to the V_{CC} pin or pull it HIGH after V_{CC} comes up with a logic gate to keep the 1µA current sink from discharging EN to 1.1V. Figure 23 shows one method to pull up EN to V_{CC} for a latch configuration.

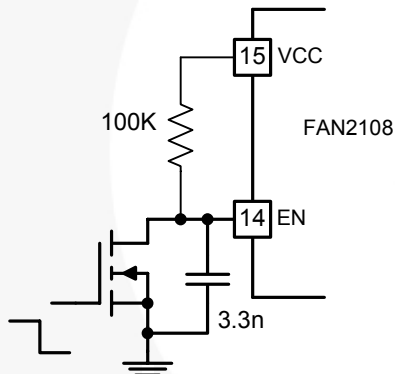


Figure 23. Enable Control with Latch Option

Over-Temperature Protection (OTP)

The chip incorporates an over-temperature protection circuit that sets the fault latch when a die temperature of about 150°C is reached. The IC restarts when the die temperature falls below 125°C.

Power-Good (PGOOD) Signal

PGOOD is an open-drain output that asserts LOW when V_{OUT} is out of regulation, as measured at the FB pin. Thresholds are specified in the Electrical Specifications section. PGOOD does not assert HIGH until the fault latch is enabled (T1.0).

PCB Layout

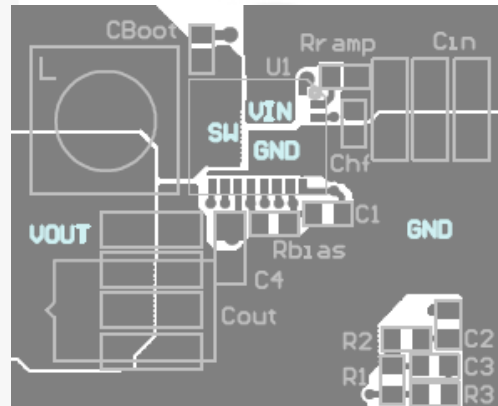


Figure 24. Recommended PCB Layout

Physical Dimensions

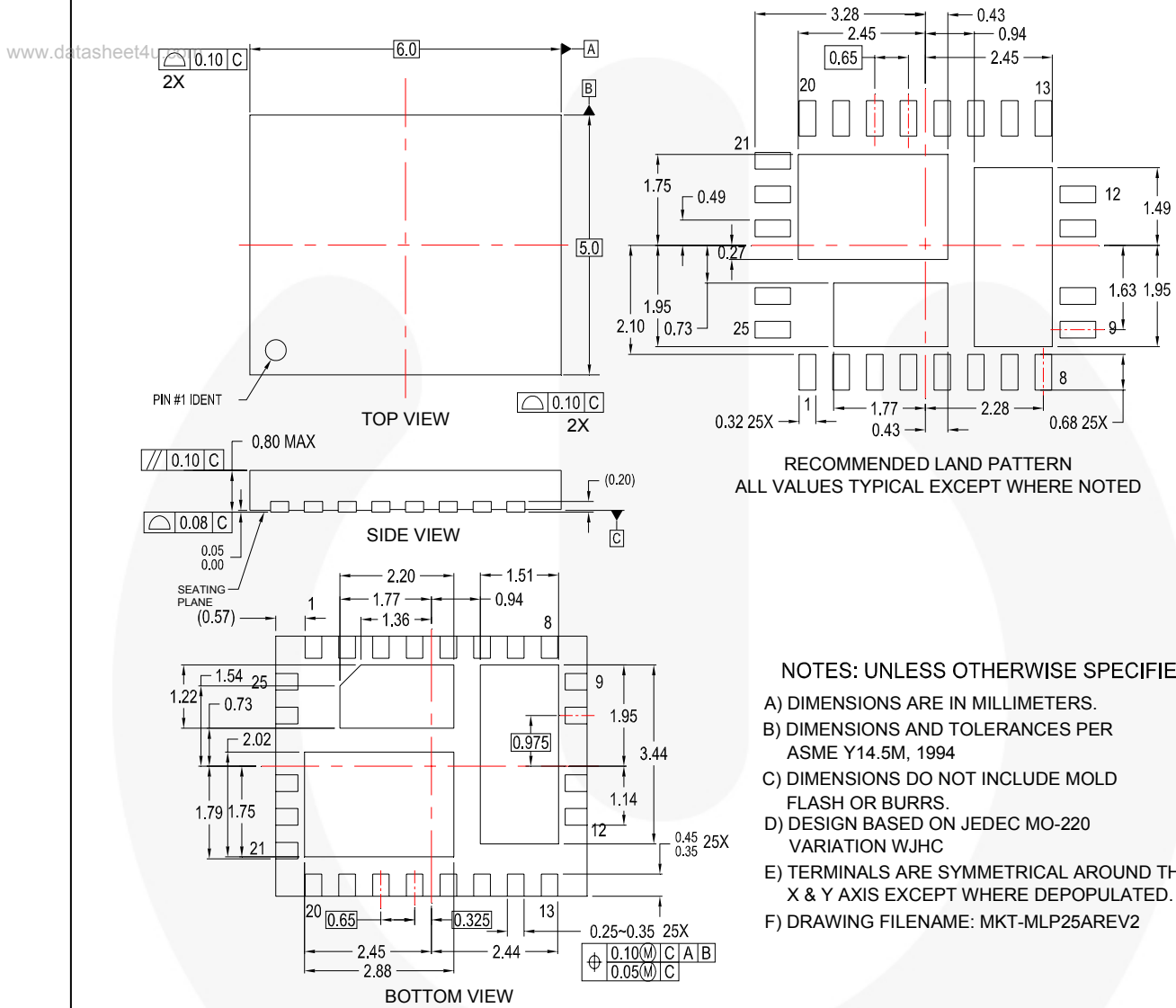


Figure 25. 5x6mm Molded Leadless Package (MLP)







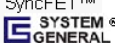
Package drawings are provided as a service to customers considering Fairchild components. Drawings may change in any manner without notice. Please note the revision and/or date on the drawing and contact a Fairchild Semiconductor representative to verify or obtain the most recent revision. Package specifications do not expand the terms of Fairchild's worldwide terms and conditions, specifically the warranty therein, which covers Fairchild products.

Always visit Fairchild Semiconductor's online packaging area for the most recent package drawings:
<http://www.fairchildsemi.com/packaging/>



TRADEMARKS

The following includes registered and unregistered trademarks and service marks, owned by Fairchild Semiconductor and/or its global subsidiaries, and is not intended to be an exhaustive list of all such trademarks.

- | | | | |
|---|---|---|---|
| Build it Now™ | F-PFST™ | PowerTrench® | The Power Franchise® |
| CorePLUS™ | FRFET® | Programmable Active Droop™ |  |
| CorePOWER™ | Global Power Resource SM | QFET® | TinyBoost™ |
| CROSSVOLT™ | Green FPST™ | QS™ | TinyBuck™ |
| CTL™ | Green FPST™ e-Series™ | Quiet Series™ | TinyLogic® |
| Current Transfer Logic™ | GTO™ | RapidConfigure™ | TINYOPTO™ |
| EcoSPARK® | IntelliMAX™ |  | TinyPower™ |
| EfficientMax™ | ISOPLANAR™ | Saving our world, 1mV/W/kW at a time™ | TinyPWM™ |
| EZSWITCH™ * | MegaBuck™ | SmartMax™ | TinyWire™ |
|  | MICROCOUPLER™ | SMART START™ | μSerDes™ |
|  | MicroFET™ | SPM® |  |
| Fairchild® | MillerDrive™ | STEALTH™ | UHC® |
| Fairchild Semiconductor® | MotionMax™ | SuperFET™ | Ultra FRFET™ |
| FACT Quiet Series™ | Motion-SPM™ | SuperSOT™.3 | UniFET™ |
| FACT® | OPTOLOGIC® | SuperSOT™.6 | VCX™ |
| FAST® | OPTOPLANAR® | SuperSOT™.8 | VisualMax™ |
| FastvCore™ |  | SupreMOS™ | |
| FlashWriter® * | PDP SPM™ | SyncFET™ | |
| FPST™ | Power-SPM™ |  | |

* EZSWITCH™ and FlashWriter® are trademarks of System General Corporation, used under license by Fairchild Semiconductor.

DISCLAIMER

FAIRCHILD SEMICONDUCTOR RESERVES THE RIGHT TO MAKE CHANGES WITHOUT FURTHER NOTICE TO ANY PRODUCTS HEREIN TO IMPROVE RELIABILITY, FUNCTION, OR DESIGN. FAIRCHILD DOES NOT ASSUME ANY LIABILITY ARISING OUT OF THE APPLICATION OR USE OF ANY PRODUCT OR CIRCUIT DESCRIBED HEREIN; NEITHER DOES IT CONVEY ANY LICENSE UNDER ITS PATENT RIGHTS, NOR THE RIGHTS OF OTHERS. THESE SPECIFICATIONS DO NOT EXPAND THE TERMS OF FAIRCHILD'S WORLDWIDE TERMS AND CONDITIONS, SPECIFICALLY THE WARRANTY THEREIN, WHICH COVERS THESE PRODUCTS.

LIFE SUPPORT POLICY

FAIRCHILD'S PRODUCTS ARE NOT AUTHORIZED FOR USE AS CRITICAL COMPONENTS IN LIFE SUPPORT DEVICES OR SYSTEMS WITHOUT THE EXPRESS WRITTEN APPROVAL OF FAIRCHILD SEMICONDUCTOR CORPORATION.

As used herein:

1. Life support devices or systems are devices or systems which, (a) are intended for surgical implant into the body or (b) support or sustain life, and (c) whose failure to perform when properly used in accordance with instructions for use provided in the labeling, can be reasonably expected to result in a significant injury of the user.
2. A critical component in any component of a life support, device, or system whose failure to perform can be reasonably expected to cause the failure of the life support device or system, or to affect its safety or effectiveness.

ANTI-COUNTERFEITING POLICY

Fairchild Semiconductor Corporation's Anti-Counterfeiting Policy. Fairchild's Anti-Counterfeiting Policy is also stated on our external website, www.fairchildsemi.com, under Sales Support.

Counterfeiting of semiconductor parts is a growing problem in the industry. All manufacturers of semiconductor products are experiencing counterfeiting of their parts. Customers who inadvertently purchase counterfeit parts experience many problems such as loss of brand reputation, substandard performance, failed applications, and increased cost of production and manufacturing delays. Fairchild is taking strong measures to protect ourselves and our customers from the proliferation of counterfeit parts. Fairchild strongly encourages customers to purchase Fairchild parts either directly from Fairchild or from Authorized Fairchild Distributors who are listed by country on our web page cited above. Products customers buy either from Fairchild directly or from Authorized Fairchild Distributors are genuine parts, have full traceability, meet Fairchild's quality standards for handling and storage and provide access to Fairchild's full range of up-to-date technical and product information. Fairchild and our Authorized Distributors will stand behind all warranties and will appropriately address any warranty issues that may arise. Fairchild will not provide any warranty coverage or other assistance for parts bought from Unauthorized Sources. Fairchild is committed to combat this global problem and encourage our customers to do their part in stopping this practice by buying direct or from authorized distributors.

PRODUCT STATUS DEFINITIONS

Definition of Terms

Datasheet Identification	Product Status	Definition
Advance Information	Formative / In Design	Datasheet contains the design specifications for product development. Specifications may change in any manner without notice.
Preliminary	First Production	Datasheet contains preliminary data; supplementary data will be published at a later date. Fairchild Semiconductor reserves the right to make changes at any time without notice to improve design.
No Identification Needed	Full Production	Datasheet contains final specifications. Fairchild Semiconductor reserves the right to make changes at any time without notice to improve the design.
Obsolete	Not In Production	Datasheet contains specifications on a product that is discontinued by Fairchild Semiconductor. The datasheet is for reference information only.

Rev. 136