



FAN2110 — TinyBuck™

3-24V Input, 10A, High-Efficiency, Integrated Synchronous Buck Regulator

Features

- Wide Input Voltage Range: 3V-24V
- Wide Output Voltage Range: 0.8V to 80% V_{IN}
- 10A Output Current
- 1% Reference Accuracy Over Temperature
- Over 93% Peak Efficiency
- Programmable Frequency Operation: 200KHz to 600KHz
- Fully Synchronous Operation with Integrated Schottky Diode on Low-Side MOSFET Boosts Efficiency
- Internal Bootstrap Diode
- Power-Good Signal
- Starts up on Pre-Bias Outputs
- Accepts Ceramic Capacitors on Output
- External Compensation for Flexible Design
- Programmable Current Limit
- Under-Voltage, Over-Voltage, and Thermal Shutdown Protections
- Internal Soft-Start
- 5x6mm, 25-Pin, 3-Pad MLP Package

Applications

- Servers & Telecom
- Graphics Cards & Displays
- Computing Systems
- Point-of-Load Regulation
- Set-Top Boxes & Game Consoles

Description

The FAN2110 TinyBuck™ is a highly efficient, small footprint, constant frequency, 10A integrated synchronous Buck regulator.

The FAN2110 contains both synchronous MOSFETs and a controller/driver with optimized interconnects in one package, which enables designers to solve high-current requirements in a small area with minimal external components. Integration helps to minimize critical inductances making component layout simpler and more efficient compared to discrete solutions.

The FAN2110 provides for external loop compensation, programmable switching frequency, and current limit. These features allow design flexibility and optimization. High frequency operation allows for all ceramic solutions.

The summing current mode modulator uses lossless current sensing for current feedback and over-current protection. Voltage feedforward helps operation over a wide input voltage range.

Fairchild's advanced BiCMOS power process, combined with low- $R_{DS(ON)}$ internal MOSFETs and a thermally efficient MLP package, provide the ability to dissipate high power in a small package.

Output over-voltage, under-voltage, and thermal shutdown protections help protect the device from damage during fault conditions. FAN2110 also prevents pre-biased output discharge during startup in point-of-load applications.

Related Application Notes

[AN-8022 — TinyCalc™ Calculator](#)

Ordering Information

Part Number	Operating Temperature Range	Package	Eco Status	Packing Method
FAN2110MPX	-10°C to 85°C	Molded Leadless Package (MLP) 5x6mm	Green	Tape and Reel
FAN2110EMPX	-40°C to 85°C	Molded Leadless Package (MLP) 5x6mm	Green	Tape and Reel

For Fairchild's definition of Eco Status, please visit: http://www.fairchildsemi.com/company/green/rohs_green.html.

FAN2110 — TinyBuck™, 3-24V Input, 10A, High-Efficiency, Integrated Synchronous Buck Regulator

Typical Application

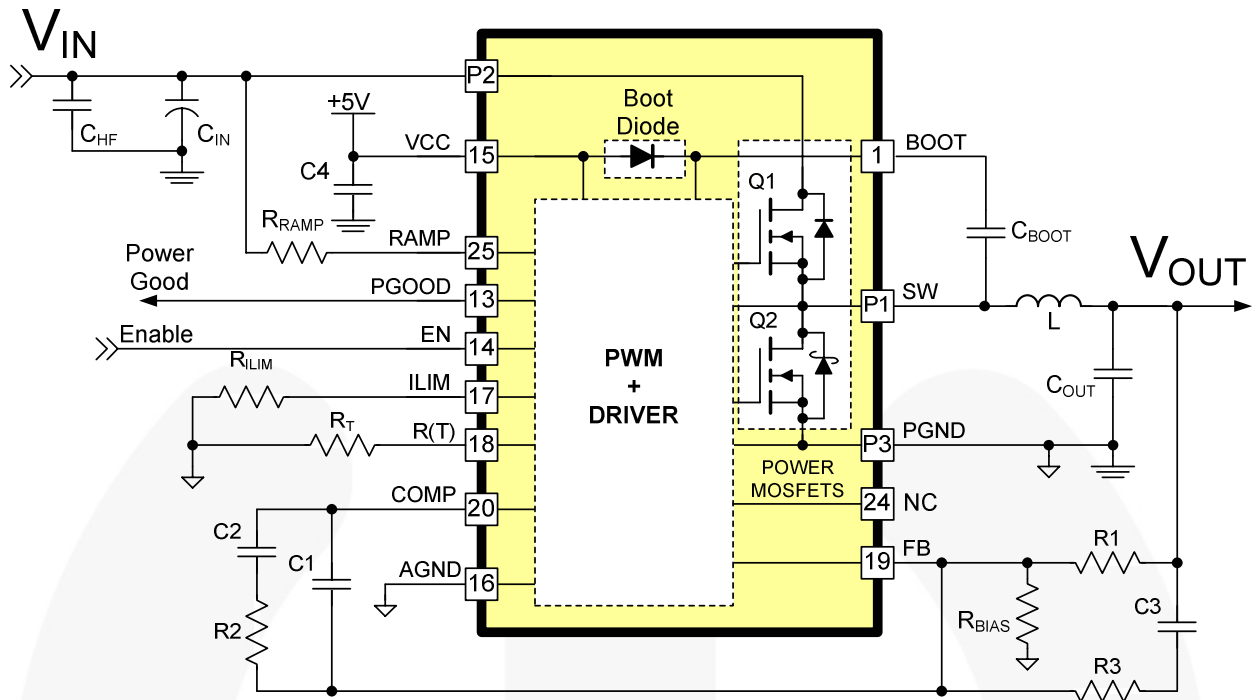


Figure 1. Typical Application Diagram

Block Diagram

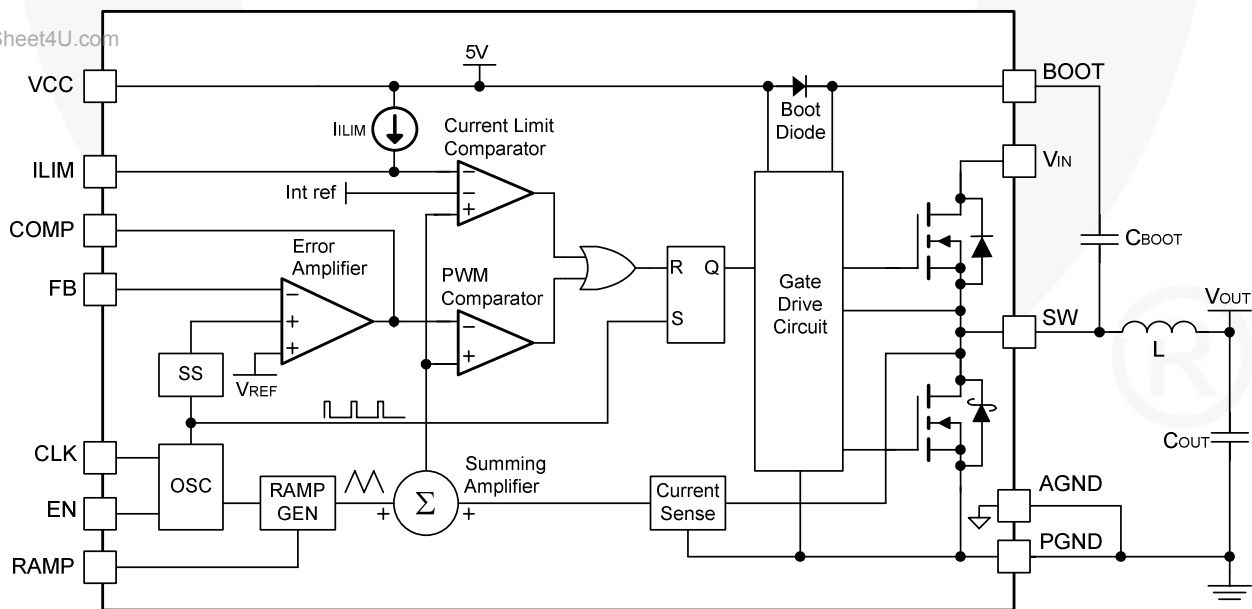


Figure 2. Block Diagram

Pin Configuration

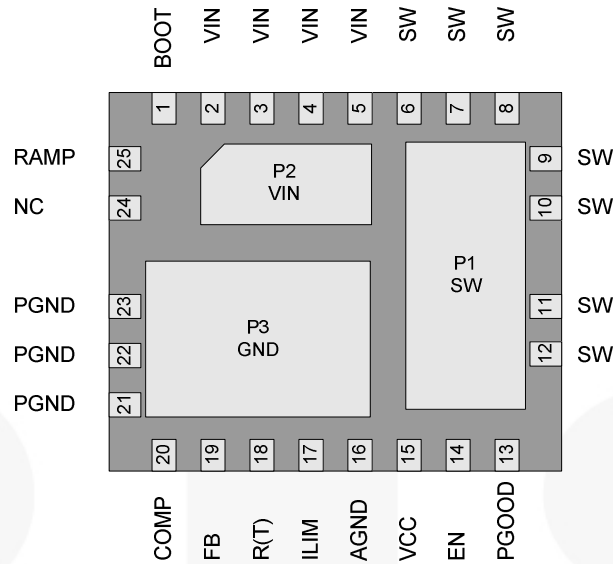


Figure 3. MLP 5x6mm Pin Configuration (Bottom View)

Pin Definitions

Pin #	Name	Description
P1, 6-12	SW	Switching Node. Junction of high-side and low-side MOSFETs.
P2, 2-5	VIN	Power Conversion Input Voltage. Connect to the main input power source.
P3, 21-23	PGND	Power Ground. Power return and Q2 source.
1	BOOT	High-Side Drive BOOT Voltage. Connect through capacitor (C_{BOOT}) to SW. The IC includes an internal synchronous bootstrap diode to recharge the capacitor on this pin to V_{CC} when SW is LOW.
13	PGOOD	Power-Good Flag. An open-drain output that pulls LOW when FB is outside the limits specified in electrical specs. PGOOD does not assert HIGH until the fault latch is enabled.
14	EN	ENABLE. Enables operation when pulled to logic HIGH or left open. Toggling EN resets the regulator after a latched fault condition. This input has an internal pull-up when the IC is functioning normally. When a latched fault occurs, EN is discharged by a current sink.
15	VCC	Input Bias Supply for IC. The IC's logic and analog circuitry are powered from this pin. This pin should be decoupled to AGND through a $> 2.2\mu F$ X5R / X7R capacitor.
16	AGND	Analog Ground. The signal ground for the IC. All internal control voltages are referred to this pin. Tie this pin to the ground island/plane through the lowest impedance connection.
17	ILIM	Current Limit. A resistor (R_{ILIM}) from this pin to AGND can be used to program the current-limit trip threshold lower than the internal default setting.
18	R(T)	Oscillator Frequency. A resistor (R_T) from this pin to AGND sets the PWM switching frequency.
19	FB	Output Voltage Feedback. Connect through a resistor divider to the output voltage.
20	COMP	Compensation. Error amplifier output. Connect the external compensation network between this pin and FB.
24	NC	No Connect. This pin is not used.
25	RAMP	Ramp Amplitude. A resistor (R_{RAMP}) connected from this pin to V_{IN} sets the ramp amplitude and provides voltage feedforward functionality.

Absolute Maximum Ratings

Stresses exceeding the absolute maximum ratings may damage the device. The device may not function or be operable above the recommended operating conditions and stressing the parts to these levels is not recommended. In addition, extended exposure to stresses above the recommended operating conditions may affect device reliability. The absolute maximum ratings are stress ratings only.

Parameter	Conditions	Min.	Max.	Unit
V _{IN} to PGND			28	V
V _{CC} to AGND	AGND=PGND		6	V
BOOT to PGND			35	V
BOOT to SW		-0.5	6.0	V
SW to PGND	Continuous	-0.5	24.0	V
	Transient (t < 20ns, f ≤ 600KHz)	-5	30	V
All other pins		-0.3	V _{CC} +0.3	V
ESD	Human Body Model, JEDEC JESD22-A114	2.0		KV
	Charged Device Model, JEDEC JESD22-C101	2.5		

Recommended Operating Conditions

The Recommended Operating Conditions table defines the conditions for actual device operation. Recommended operating conditions are specified to ensure optimal performance to the datasheet specifications. Fairchild does not recommend exceeding them or designing to absolute maximum ratings.

Symbol	Parameter	Conditions	Min.	Typ.	Max.	Unit
V _{CC}	Bias Voltage	V _{CC} to AGND	4.5	5.0	5.5	V
V _{IN}	Supply Voltage	V _{IN} to PGND	3		24	V
T _A	Ambient Temperature	FAN2110MPX	-10		+85	°C
		FAN2110EMPX	-40		+85	°C
T _J	Junction Temperature				+125	°C
f _{sw}	Switching Frequency		200		600	kHz

Thermal Information

Symbol	Parameter	Min.	Typ.	Max.	Unit
T _{STG}	Storage Temperature	-65		+150	°C
T _L	Lead Soldering Temperature, 10 Seconds			+300	°C
θ _{JC}	Thermal Resistance: Junction-to-Case	P1 (Q2)		4	°C/W
		P2 (Q1)		7	°C/W
		P3		4	°C/W
θ _{J-PCB}	Thermal Resistance: Junction-to-Mounting Surface ⁽¹⁾		35		°C/W
P _D	Power Dissipation, T _A =25°C ⁽¹⁾			2.8	W

Note:

1. Typical thermal resistance when mounted on a four-layer, two-ounce PCB, as shown in Figure 35. Actual results are dependent on mounting method and surface related to the design.

Electrical Specifications

Electrical specifications are the result of using the circuit shown in Figure 1 with $V_{IN}=12V$, unless otherwise noted.

Symbol	Parameter	Conditions	Min.	Typ.	Max.	Unit
Power Supplies						
I_{CC}	V_{CC} Current	SW=Open, $V_{FB}=0.7V$, $V_{CC}=5V$, $f_{SW}=600KHz$		8	12	mA
		Shutdown: EN=0, $V_{CC}=5V$		7	10	μA
V_{UVLO}	V_{CC} UVLO Threshold	Rising V_{CC}	4.1	4.3	4.5	V
		Hysteresis		300		mV
Oscillator						
f_{SW}	Frequency	$R_T=50K\Omega$ to GND	255	300	345	KHz
		$R_T=24K\Omega$ to GND	540	600	660	KHz
t_{ONmin}	Minimum On-Time ⁽²⁾		50	65		ns
V_{RAMP}	Ramp Amplitude, Peak-to-Peak	$16V_{IN}$, $1.8V_{OUT}$, $R_T=30K\Omega$, $R_{RAMP}=200K\Omega$		0.53		V
t_{OFFmin}	Minimum Off-Time ⁽²⁾		100	150		ns
Reference						
V_{FB}	Reference Voltage (see Figure 4 for Temperature Coefficient)	FAN2110MPX, 25°C	794	800	806	mV
		FAN2110EMPX, 25°C	795	800	805	mV
Error Amplifier						
G	DC Gain ⁽²⁾	$V_{CC}=5V$	80	85		dB
GBW	Gain Bandwidth Product ⁽²⁾		12	15		MHz
V_{COMP}	Output Voltage ⁽²⁾		0.4		3.2	V
I_{SINK}	Output Current, Sourcing	$V_{CC}=5V$, $V_{COMP}=2.2V$	1.5	2.2		mA
I_{SOURCE}	Output Current, Sinking	$V_{CC}=5V$, $V_{COMP}=1.2V$	0.8	1.2		mA
I_{BIAS}	FB Bias Current	$V_{FB}=0.8V$, 25°C	-850	-650	-450	nA
Protection and Shutdown						
I_{LIM}	Current Limit (see Circuit Description) ⁽²⁾	$R_{LIM}=182K\Omega$, 25°C, $f_{SW}=500KHz$, $V_{OUT}=1.5V$, $R_{RAMP}=243K\Omega$, 16 Consecutive Clock Cycles ⁽³⁾	12	14	16	A
I_{LIM}	I_{LIM} Current	$V_{CC}=5V$, 25°C	-11	-10	-9	μA
T_{TSD}	Over-Temperature Shutdown ⁽²⁾	Internal IC Temperature		+155		°C
T_{HYS}	Over-Temperature Hysteresis ⁽²⁾			+30		°C
V_{OVP}	Over-Voltage Threshold	2 Consecutive Clock Cycles ⁽³⁾	110	115	121	% V_{OUT}
V_{UVSD}	Under-Voltage Shutdown	16 Consecutive Clock Cycles ⁽³⁾	68	73	78	% V_{OUT}
V_{FLT}	Fault Discharge Threshold	Measured at FB Pin		250		mV
V_{FLT_HYS}	Fault Discharge Hysteresis	Measured at FB Pin ($V_{FB} \sim 500mV$)		250		mV
Soft-Start						
t_{SS}	V_{OUT} to Regulation (T0.8)	$f_{SW}=500KHz$		5.3		ms
t_{EN}	Fault Enable/SSOK (T1.0) ⁽²⁾			6.7		ms

Continued on the following page...

Electrical Specifications (Continued)

Electrical specifications are the result of using the circuit shown in Figure 1 with $V_{IN}=12V$, unless otherwise noted.

Symbol	Parameter	Conditions	Min.	Typ.	Max.	Unit
Control Functions						
V_{EN}	EN Threshold, Rising	$V_{CC}=5V$		1.35	2.00	V
V_{EN_HYS}	EN Hysteresis	$V_{CC}=5V$		250		mV
R_{EN}	EN Pull-Up Resistance	$V_{CC}=5V$		800		$K\Omega$
I_{EN_DISC}	EN Discharge Current	Auto-Restart Mode, $V_{CC}=5V$		1		μA
R_{FBok}	FB OK Drive Resistance				800	Ω
V_{PGTH_LO}	PGOOD LOW Threshold	$FB < V_{REF}$, 2 Consecutive Clock Cycles ⁽³⁾	-14	-11	-8	% V_{REF}
V_{PGTH_UP}		$FB > V_{REF}$, 2 Consecutive Clock Cycles ⁽³⁾	+7	+10	+13.5	
V_{PG_LO}	PGOOD Output Low	$I_{OUT} \leq 2mA$			0.4	V
I_{PG_LK}	PGOOD Leakage Current	$V_{PGOOD}=5V$		0.2	1.0	μA

Notes:

- Specifications guaranteed by design and characterization; not production tested.
- Delay times are not tested in production. Guaranteed by design.

Typical Characteristics

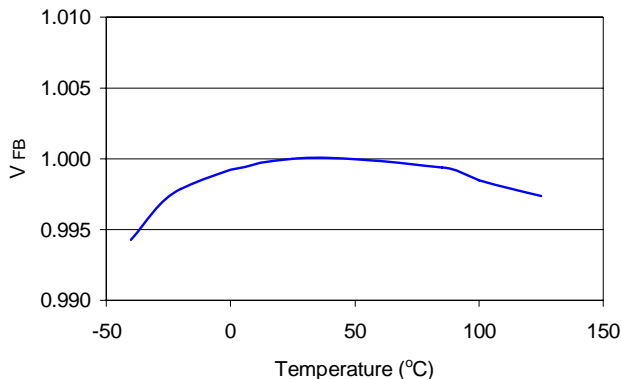


Figure 4. Reference Voltage (V_{FB}) vs. Temperature, Normalized

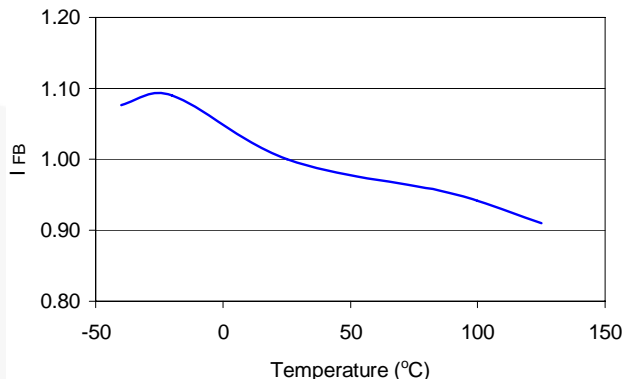


Figure 5. Reference Bias Current (I_{FB}) vs. Temperature, Normalized

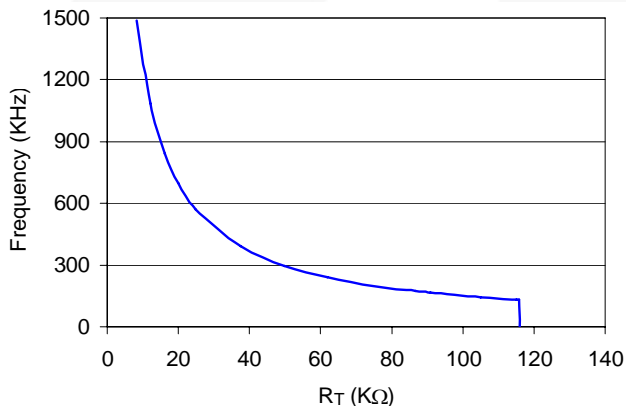


Figure 6. Frequency vs. R_T

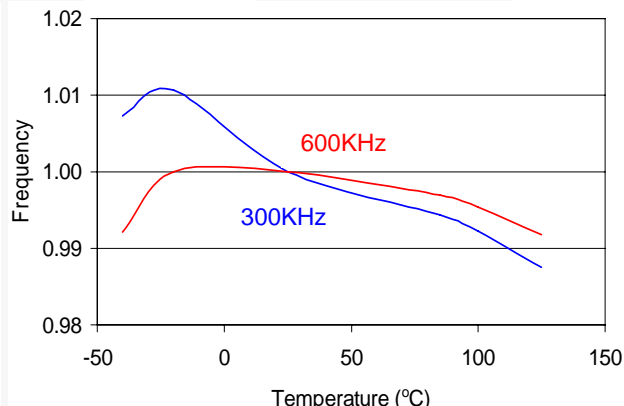


Figure 7. Frequency vs. Temperature, Normalized

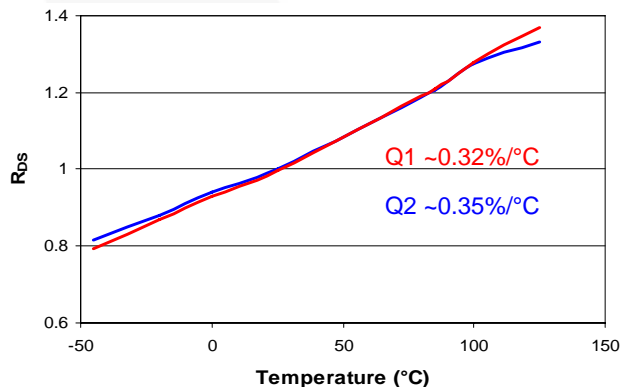


Figure 8. R_{DS} vs. Temperature, Normalized ($V_{CC}=V_{GS}=5V$), Figure 1

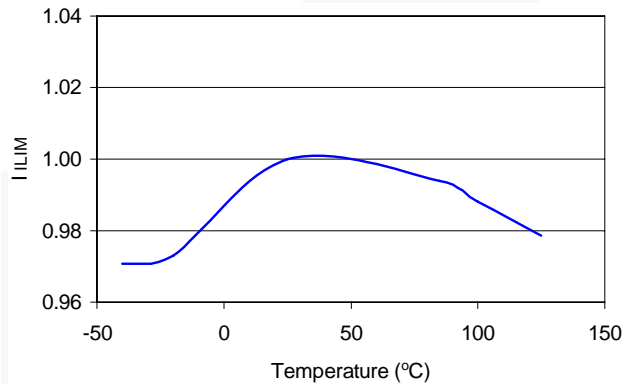


Figure 9. I_{ILIM} Current (I_{ILIM}) vs. Temperature, Normalized

www.DataSheet4U.com

Application Circuits

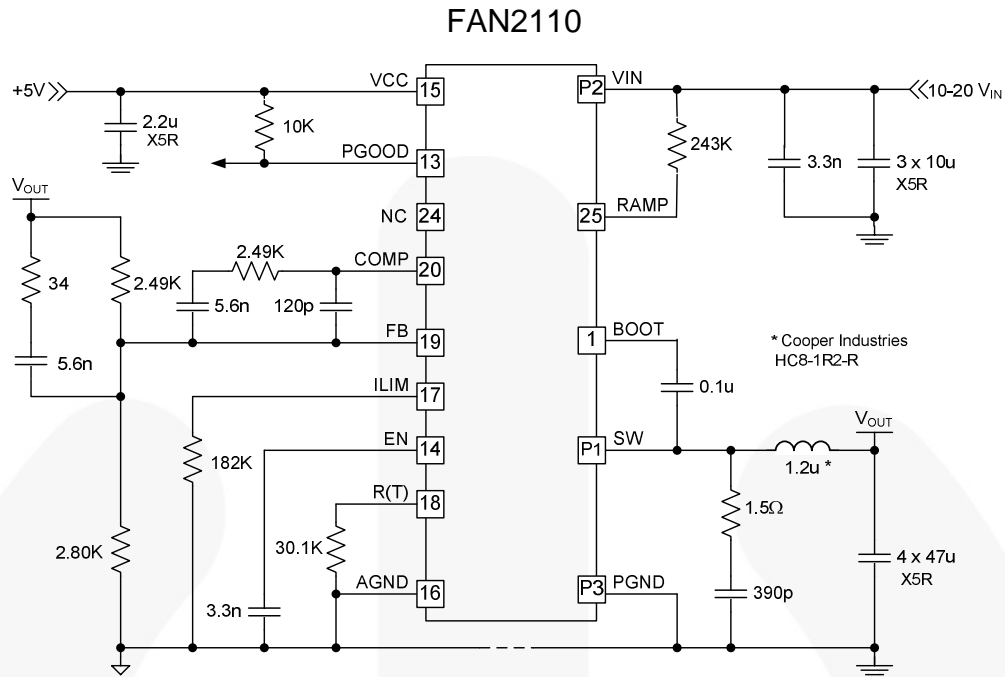


Figure 10. Application Circuit: 1.5V_{OUT}, 10A, 500KHz (10V-20V_{IN})

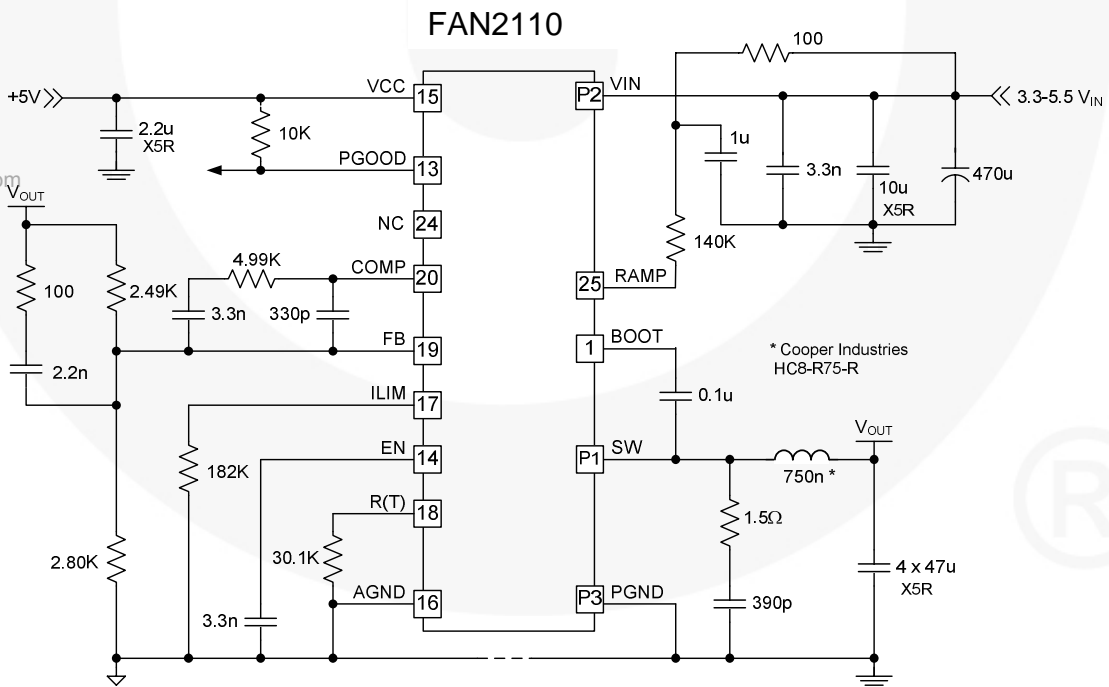


Figure 11. Application Circuit: 1.5V_{OUT}, 10A, 500KHz (3.3V-5.5V_{IN})

Typical Performance Characteristics

Typical operating characteristics using the circuit in Figure 10. $V_{IN}=12V$, $V_{CC}=5V$, $T_A=25^{\circ}C$, unless otherwise specified.

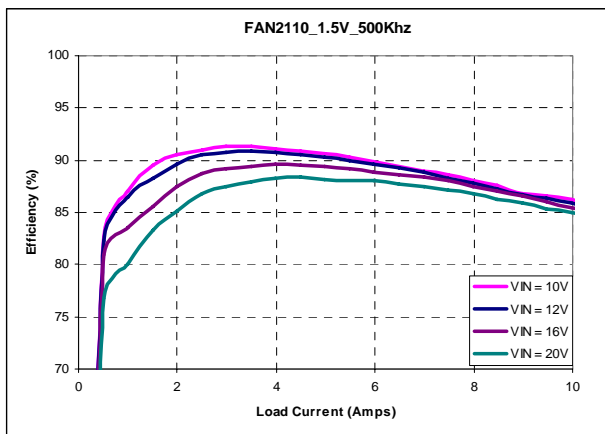


Figure 12. 1.5V_{OUT} Efficiency, 500KHz

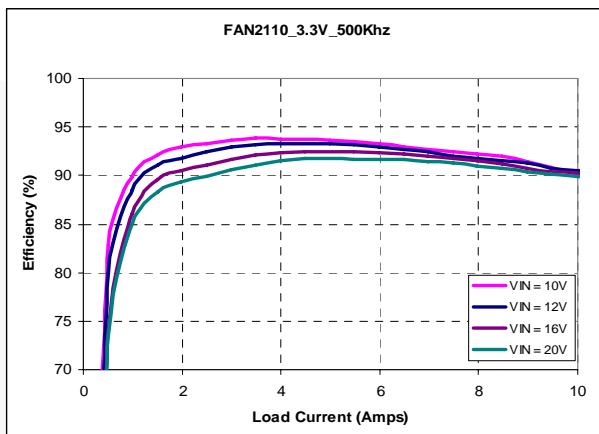


Figure 13. 3.3V_{OUT} Efficiency, 500KHz⁽⁴⁾

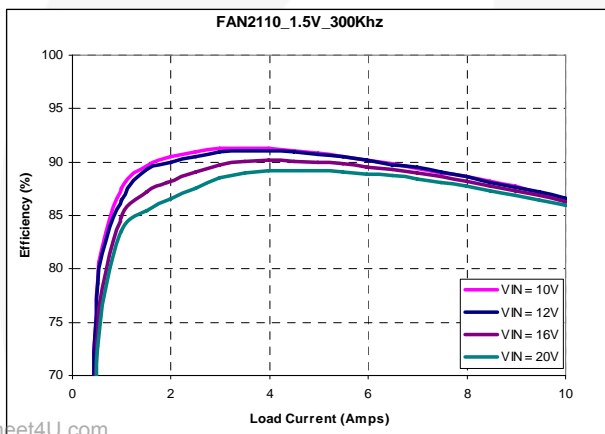


Figure 14. 1.5V_{OUT} Efficiency, 300KHz

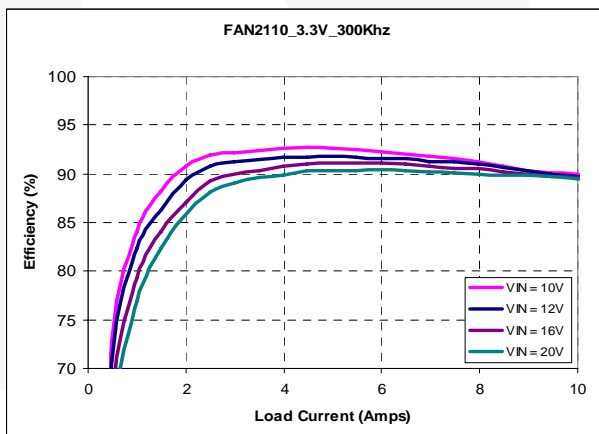


Figure 15. 3.3V_{OUT} Efficiency, 300KHz⁽⁴⁾

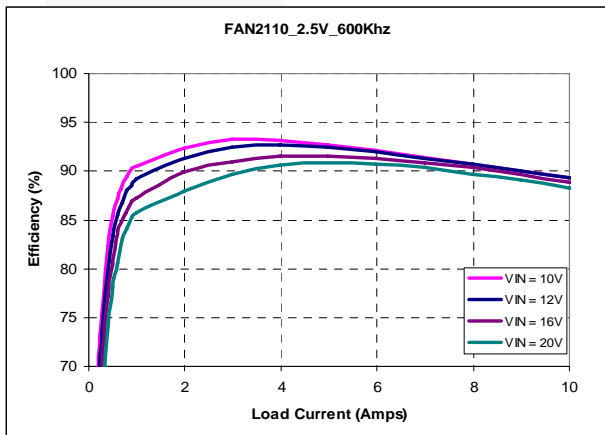


Figure 16. 2.5V_{OUT} Efficiency, 600KHz⁽⁴⁾

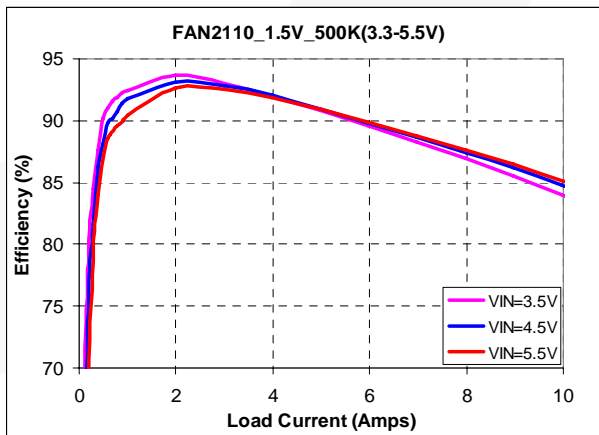


Figure 17. 1.5V_{OUT} Efficiency, 500KHz ($V_{IN}=3.3V$ to 5V), Figure 11

Note:

4. Circuit values for this configuration change in Figure 10.

Typical Performance Characteristics (Continued)

Typical operating characteristics using the circuit in Figure 10. $V_{IN}=12V$, $V_{CC}=5V$, $T_A=25^\circ C$ unless otherwise specified.

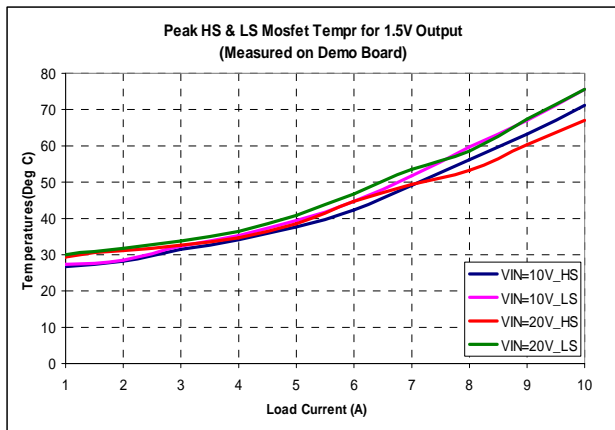


Figure 18. Peak MOSFET Temperatures, Figure 10

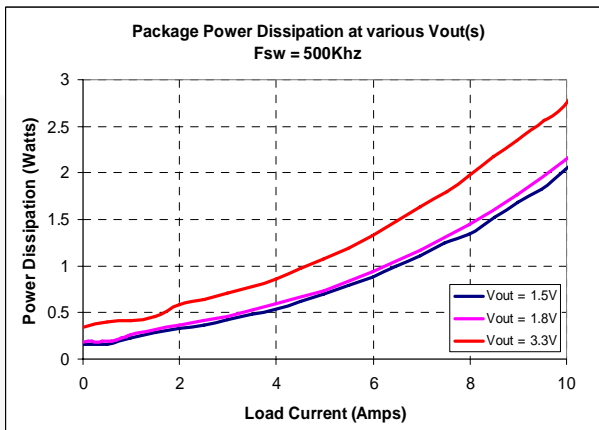


Figure 19. Device Dissipation Over V_{OUT} vs. Load

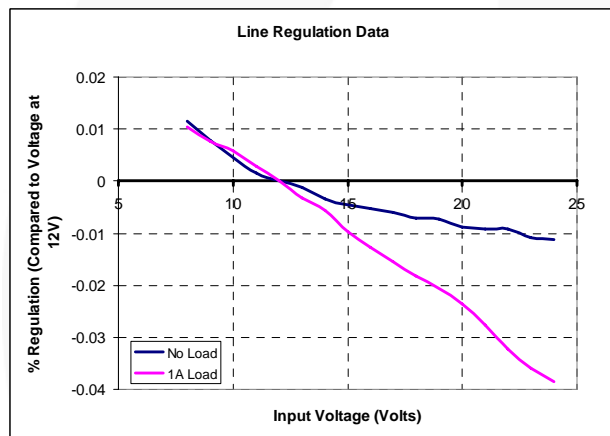


Figure 20. 1.5V_{OUT} Line Regulation

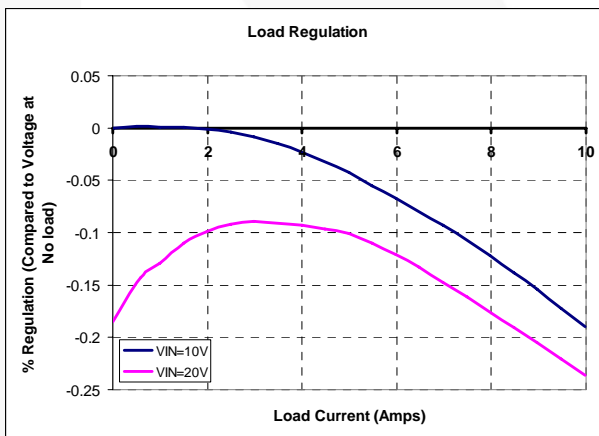


Figure 21. 1.5V_{OUT} Load Regulation

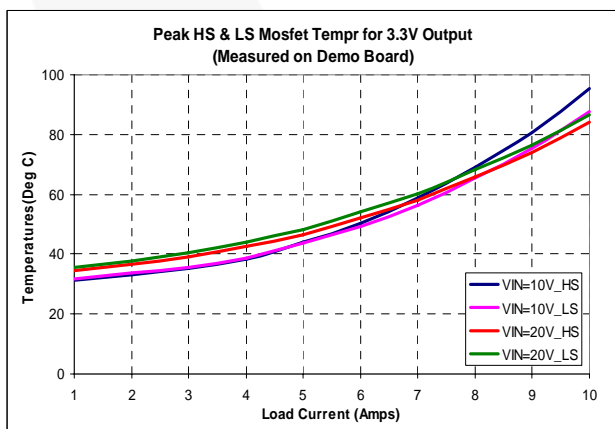


Figure 22. Peak MOSFET Temperatures, 3.3V Output⁽⁵⁾

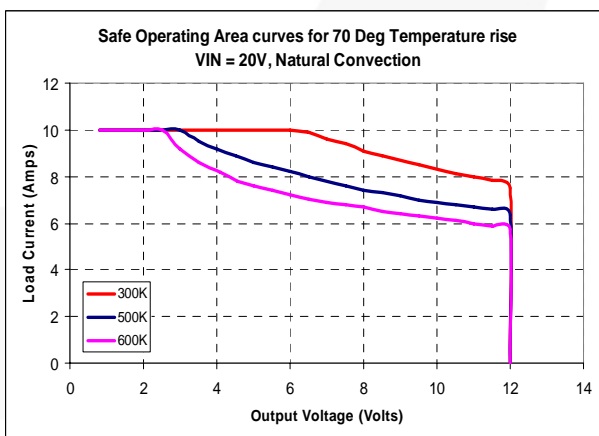


Figure 23. Typical 20V_{IN} Safe Operation Area (SOA), 70°C Ambient Temperature, Natural Convection

Note:

5. Circuit values for this configuration change in Figure 10.

Typical Performance Characteristics (Continued)

Typical operating characteristics using the circuit in Figure 10. $V_{IN}=12V$, $V_{CC}=5V$, $T_A=25^\circ C$ unless otherwise specified.

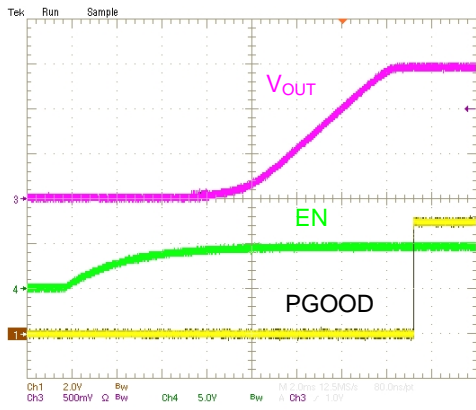


Figure 24. Startup, 10A Load

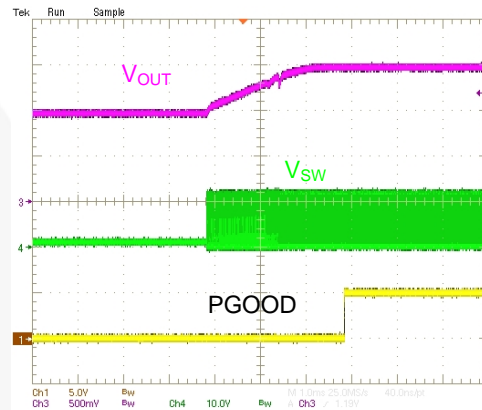


Figure 25. Startup with 1.0V Pre-Bias on V_{OUT}

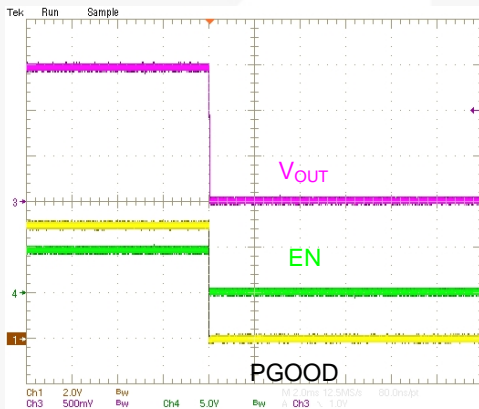


Figure 26. Shutdown, 10A Resistive Load

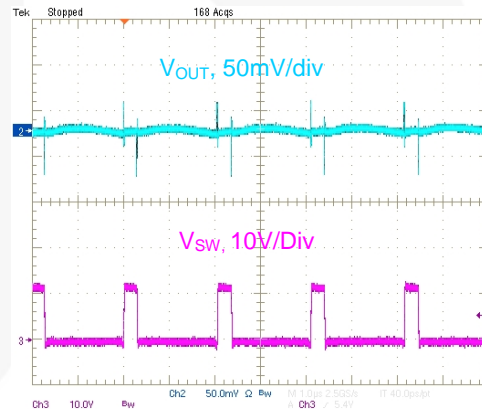


Figure 27. V_{OUT} Ripple and SW Voltage, 10A Load

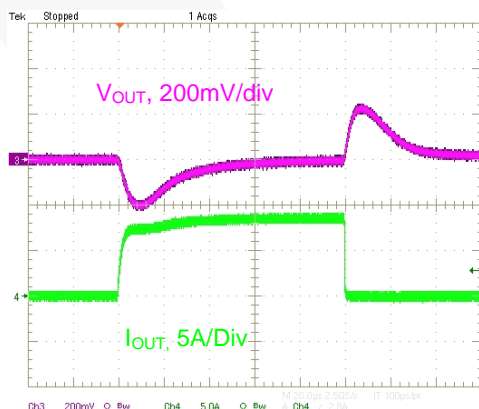


Figure 28. Transient Response, 0-8A Load, 5A / μs Slew Rate

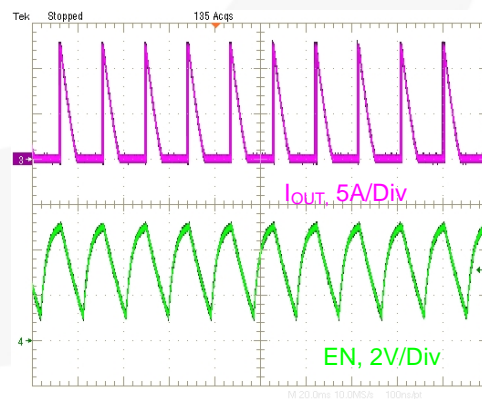


Figure 29. Restart on Short Circuit (Fault)

www.DataSheet4U.com

Circuit Description

PWM Generation

Refer to Figure 2 for the PWM control mechanism. FAN2110 uses the summing-mode method of control to generate the PWM pulses. An amplified current-sense signal is summed with an internally generated ramp and the combined signal is compared with the output of the error amplifier to generate the pulse width to drive the high-side MOSFET. Sensed current from the previous cycle is used to modulate the output of the summing block. The output of the summing block is also compared against a voltage threshold set by the R_{LIM} resistor to limit the inductor current on a cycle-by-cycle basis. R_{RAMP} resistor helps set the charging current for the internal ramp and provides input voltage feed-forward function. The controller facilitates external compensation for enhanced flexibility.

Initialization

Once V_{CC} exceeds the UVLO threshold and EN is HIGH, the IC checks for a shorted FB pin before releasing the internal soft-start ramp (SS).

If the parallel combination of $R1$ and R_{BIAS} is $\leq 1K\Omega$, the internal SS ramp is not released and the regulator does not start.

Enable

FAN2110 has an internal pull-up to the enable (EN) pin so that the IC is enabled once V_{CC} exceeds the UVLO threshold. Connecting a small capacitor across EN and AGND delays the rate of voltage rise on the EN pin. The EN pin also serves for the restart whenever a fault occurs (refer to the *Auto-Restart* section). If the regulator is enabled externally, the external EN signal should go HIGH only after V_{CC} is established. For applications where such sequencing is required, FAN2110 can be enabled (after the V_{CC} comes up) with external control, as shown in Figure 30.

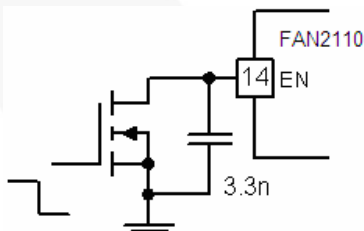


Figure 30. Enabling with External Control

Soft-Start

Once internal SS ramp has charged to 0.8V ($T_{0.8}$), the output voltage is in regulation. Until SS ramp reaches 1.0V ($T_{1.0}$), the fault latch is inhibited.

To avoid skipping the soft-start cycle, it is necessary to apply V_{IN} before V_{CC} reaches its UVLO threshold. Normal sequence for powering up would be $V_{IN} \rightarrow V_{CC} \rightarrow EN$.

Soft-start time is a function of oscillator frequency.

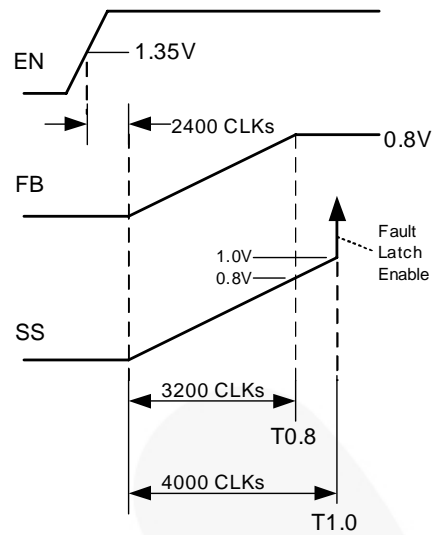


Figure 31. Soft-Start Timing Diagram

V_{CC} UVLO or toggling the EN pin discharges the internal SS and resets the IC. In applications where external EN signal is used, V_{IN} and V_{CC} should be established before the EN signal comes up to prevent skipping the soft-start function.

Startup on Pre-Bias

The regulator does not allow the low-side MOSFET to operate in full synchronous mode until SS reaches 95% of V_{REF} ($\sim 0.76V$). This enables the regulator to startup on a pre-biased output and ensures that pre-biased outputs are not discharged during the soft-start cycle.

Protections

The converter output is monitored and protected against extreme overload, short-circuit, over-voltage, under-voltage, and over-temperature conditions.

Under-Voltage Shutdown

If voltage on the FB pin remains below the under-voltage threshold for 16 consecutive clock cycles, the fault latch is set and the converter shuts down. This protection is not active until the internal SS ramp reaches 1.0V during soft-start.

Over-Voltage Protection

If voltage on the FB pin exceeds 115% of V_{REF} for two consecutive clock cycles, the fault latch is set and shutdown occurs.

A shorted high-side MOSFET condition is detected when SW voltage exceeds $\sim 0.7V$ while the low-side MOSFET is fully enhanced. The fault latch is set immediately upon detection.

The OV/UV fault protection circuits above are active all the time, including during soft-start.

Over-Temperature Protection (OTP)

The chip incorporates an over-temperature protection circuit that sets the fault latch when a die temperature of about 150°C is reached. The IC restarts when the die temperature falls below 125°C.

Auto-Restart

After a fault, EN pin is discharged by a 1µA current sink to a 1.1V threshold before the internal 800KΩ pull-up is restored. A new soft-start cycle begins when EN charges above 1.35V.

Depending on the external circuit, the FAN2110 can be configured to remain latched-off or to automatically restart after a fault.

Table 1. Fault / Restart Configurations

EN Pin	Controller / Restart State
Pull to GND	OFF (Disabled)
Pull-up to V _{CC} with 100K	No Restart – Latched OFF (After V _{CC} Comes Up)
Open	Immediate Restart After Fault
Cap. to GND	New Soft-Start Cycle After: $t_{DELAY} (ms) = 3.9 \cdot C(nf)$

When EN is left open, restart is immediate.

If auto-restart is not desired, tie the EN pin to the V_{CC} pin or pull it HIGH after V_{CC} comes up with a logic gate to keep the 1µA current sink from discharging EN to 1.1V. Figure 32 shows one method to pull up EN to V_{CC} for a latch configuration.

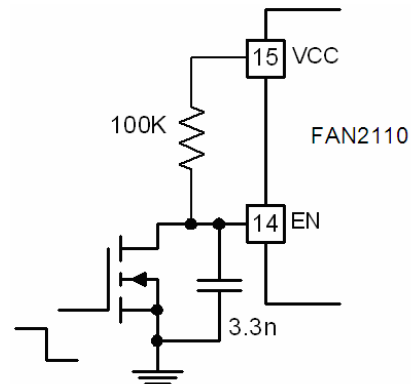


Figure 32. Enable Control with Latch Option

Power-Good (PGOOD) Signal

PGOOD is an open-drain output that asserts LOW when V_{OUT} is out of regulation, as measured at the FB pin. Thresholds are specified in the Electrical Specifications section. PGOOD does not assert HIGH until the fault latch is enabled (T1.0) (see Figure 31).

Application Information

Bias Supply

The FAN2110 requires a 5V supply rail to bias the IC and provide gate-drive energy. Connect a $\geq 2.2\mu\text{F}$ X5R or X7R decoupling capacitor between VCC and AGND.

Since VCC is used to drive the internal MOSFET gates, supply current is frequency and voltage dependent. Approximate VCC current (I_{CC}) is calculated by:

$$I_{CC(mA)} = 4.58 + \left[\left(\frac{V_{CC} - 5}{227} + 0.013 \right) \cdot (f - 128) \right] \quad (1)$$

where frequency (f) is expressed in KHz.

Setting the Output Voltage

The output voltage of the regulator can be set from 0.8V to 80% of V_{IN} by an external resistor divider (R1 and R_{BIAS} in Figure 1). For output voltages $>3.3\text{V}$, output current rating may need to be de-rated depending on the ambient temperature, power dissipated in the package and the PCB layout. (Refer to *Thermal Information table on page 4, Figure 22, and Figure 23.*)

The external resistor divider is calculated using:

$$\frac{0.8V}{R_{BIAS}} = \frac{V_{OUT} - 0.8V}{R1} + 650nA \quad (2)$$

Connect R_{BIAS} between FB and AGND.

If R1 is open (see Figure 1), the output voltage is not regulated and a latched fault occurs after the SS is complete (T1.0).

If the parallel combination of R1 and R_{BIAS} is $\leq 1\text{K}\Omega$, the internal SS ramp is not released and the regulator does not start.

www.DataSheet4U.com

Setting the Clock Frequency

Oscillator frequency is determined by an external resistor, R_T , connected between the R_T pin and AGND. Resistance is calculated by:

$$R_{T(K\Omega)} = \frac{(10^6 / f) - 135}{65} \quad (3)$$

where R_T is in $\text{K}\Omega$ and frequency (f) is in KHz.

The regulator cannot start if R_T is left open.

Calculating the Inductor Value

Typically the inductor value is chosen based on ripple current (ΔI_L), which is chosen between 10 to 35% of the maximum DC load. Regulator designs that require fast transient response use a higher ripple-current setting, while regulator designs that require higher efficiency keep ripple current on the low side and operate at a lower switching frequency. The inductor value is calculated by the following formula:

$$L = \frac{V_{OUT} \cdot \left(1 - \frac{V_{OUT}}{V_{IN}}\right)}{\Delta I_L \cdot f} \quad (4)$$

where f is the oscillator frequency.

Setting the Ramp Resistor Value

R_{RAMP} resistor plays a critical role in the design by providing charging current to the internal ramp capacitor and also serving as a means to provide input voltage feedforward.

R_{RAMP} is calculated by the following formula:

$$R_{RAMP(K\Omega)} = \frac{(V_{IN} - 1.8) \cdot V_{OUT}}{(31 - 2.05 \cdot I_{OUT}) \cdot V_{IN} \cdot f \cdot 10^{-6}} - 2 \quad (5)$$

where frequency (f) is expressed in KHz.

For wide input operation, first calculate R_{RAMP} for the minimum and maximum input voltage conditions and use larger of the two values calculated.

In all applications, current through the R_{RAMP} pin must be greater than $10\mu\text{A}$ from the equation below for proper operation:

$$\frac{V_{IN} - 1.8}{R_{RAMP} + 2} \geq 10\mu\text{A} \quad (6)$$

If the calculated R_{RAMP} values in Equation (5) result in a current less than $10\mu\text{A}$, use the R_{RAMP} value that satisfies Equation (6). In applications with large input ripple voltage, the R_{RAMP} resistor should be adequately decoupled from the input voltage to minimize ripple on the ramp pin. For example, see Figure 11.

Setting the Current Limit

There are two levels of current-limit thresholds. The first level of protection is through an internal default limit set at the factory to limit output current beyond normal usage levels. The second level of protection is set externally at the ILIM pin by connecting a resistor (R_{ILIM}) between ILIM and AGND. Current-limit protection is enabled whenever the lower of the two thresholds is reached (see Figure 33). FAN2110 uses its internal low-side MOSFET for current-sensing. The current-limit threshold voltage (V_{ILIM}) is compared to a scaled version of voltage drop across the low-side MOSFET sampled at the end of each PWM off-time/cycle. The internal default threshold (with I_{LIM} open) is temperature compensated.

Physical Dimensions

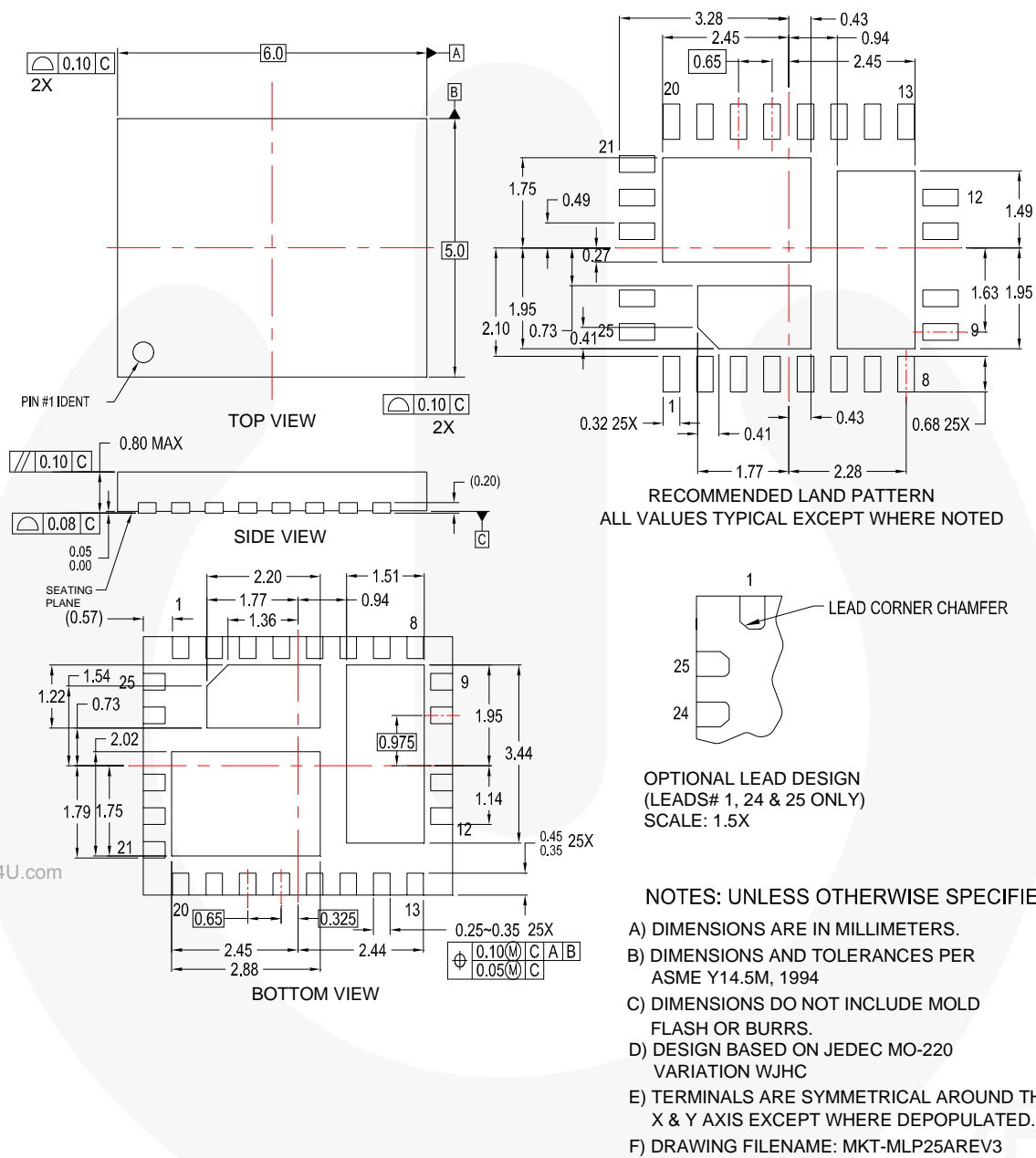


Figure 36. 5x6mm Molded Leadless Package (MLP)



Package drawings are provided as a service to customers considering Fairchild components. Drawings may change in any manner without notice. Please note the revision and/or date on the drawing and contact a Fairchild Semiconductor representative to verify or obtain the most recent revision. Package specifications do not expand the terms of Fairchild's worldwide terms and conditions, specifically the warranty therein, which covers Fairchild products.

Always visit Fairchild Semiconductor's online packaging area for the most recent package drawings:
<http://www.fairchildsemi.com/packaging/>



TRADEMARKS

The following includes registered and unregistered trademarks and service marks, owned by Fairchild Semiconductor and/or its global subsidiaries, and is not intended to be an exhaustive list of all such trademarks.

AccuPower™	FPS™	PowerTrench®	The Power Franchise®
Auto-SPM™	F-PFS™	PowerXS™	the power franchise
Build it Now™	FRFET®	Programmable Active Droop™	TinyBoost™
CorePLUS™	Global Power Resource™	QFET®	TinyBuck™
CorePOWER™	Green FPS™	QST™	TinyCalc™
CROSSVOLT™	Green FPS™ e-Series™	Quiet Series™	TinyLogic®
CTL™	Gmax™	RapidConfigure™	TINYOPTO™
Current Transfer Logic™	GTQ™	 ™	TinyPower™
EcoSPARK®	IntelliMAX™	Saving our world, 1mW/WkW at a time™	TinyPWM™
EfficientMax™	ISOPLANAR™	SignalWise™	TinyWire™
EZSWITCH™	MegaBuck™	SmartMax™	TriFault Detect™
 ™	MICROCOUPLER™	SMART START™	TRUECURRENT™
 ®	MicroFET™	SPM®	µSerDes™
Fairchild®	MicroPak™	STEALTH™	 ™
Fairchild Semiconductor®	MillerDrive™	SuperFET™	UHC®
FACT Quiet Series™	MotionMax™	SuperSOT™.3	Ultra FRFET™
FACT®	Motion-SPM™	SuperSOT™.6	UniFET™
FAST®	OPTOLOGIC®	SuperSOT™.8	VCX™
FastvCore™	OPTOPLANAR®	SupreMOS™	VisualMax™
FETBench™	 ™	SyncFET™	XS™
FlashWriter®	PDP-SPM™	Sync-Lock™	
	Power-SPM™	 ™	

* Trademarks of System General Corporation, used under license by Fairchild Semiconductor.

DISCLAIMER

FAIRCHILD SEMICONDUCTOR RESERVES THE RIGHT TO MAKE CHANGES WITHOUT FURTHER NOTICE TO ANY PRODUCTS HEREIN TO IMPROVE RELIABILITY, FUNCTION, OR DESIGN. FAIRCHILD DOES NOT ASSUME ANY LIABILITY ARISING OUT OF THE APPLICATION OR USE OF ANY PRODUCT OR CIRCUIT DESCRIBED HEREIN; NEITHER DOES IT CONVEY ANY LICENSE UNDER ITS PATENT RIGHTS, NOR THE RIGHTS OF OTHERS. THESE SPECIFICATIONS DO NOT EXPAND THE TERMS OF FAIRCHILD'S WORLDWIDE TERMS AND CONDITIONS, SPECIFICALLY THE WARRANTY THEREIN, WHICH COVERS THESE PRODUCTS.

LIFE SUPPORT POLICY

FAIRCHILD'S PRODUCTS ARE NOT AUTHORIZED FOR USE AS CRITICAL COMPONENTS IN LIFE SUPPORT DEVICES OR SYSTEMS WITHOUT THE EXPRESS WRITTEN APPROVAL OF FAIRCHILD SEMICONDUCTOR CORPORATION.

As used herein:

- Life support devices or systems are devices or systems which, (a) are intended for surgical implant into the body or (b) support or sustain life, and (c) whose failure to perform when properly used in accordance with instructions for use provided in the labeling, can be reasonably expected to result in a significant injury of the user.
- A critical component in any component of a life support, device, or system whose failure to perform can be reasonably expected to cause the failure of the life support device or system, or to affect its safety or effectiveness.

ANTI-COUNTERFEITING POLICY

Fairchild Semiconductor Corporation's Anti-Counterfeiting Policy. Fairchild's Anti-Counterfeiting Policy is also stated on our external website, www.fairchildsemi.com, under Sales Support.

Counterfeiting of semiconductor parts is a growing problem in the industry. All manufacturers of semiconductor products are experiencing counterfeiting of their parts. Customers who inadvertently purchase counterfeit parts experience many problems such as loss of brand reputation, substandard performance, failed applications, and increased cost of production and manufacturing delays. Fairchild is taking strong measures to protect ourselves and our customers from the proliferation of counterfeit parts. Fairchild strongly encourages customers to purchase Fairchild parts either directly from Fairchild or from Authorized Fairchild Distributors who are listed by country on our web page cited above. Products customers buy either from Fairchild directly or from Authorized Fairchild Distributors are genuine parts, have full traceability, meet Fairchild's quality standards for handling and storage and provide access to Fairchild's full range of up-to-date technical and product information. Fairchild and our Authorized Distributors will stand behind all warranties and will appropriately address any warranty issues that may arise. Fairchild will not provide any warranty coverage or other assistance for parts bought from Unauthorized Sources. Fairchild is committed to combat this global problem and encourage our customers to do their part in stopping this practice by buying direct or from authorized distributors.

PRODUCT STATUS DEFINITIONS

Definition of Terms

Datasheet Identification	Product Status	Definition
Advance Information	Formative / In Design	Datasheet contains the design specifications for product development. Specifications may change in any manner without notice.
Preliminary	First Production	Datasheet contains preliminary data; supplementary data will be published at a later date. Fairchild Semiconductor reserves the right to make changes at any time without notice to improve design.
No Identification Needed	Full Production	Datasheet contains final specifications. Fairchild Semiconductor reserves the right to make changes at any time without notice to improve the design.
Obsolete	Not In Production	Datasheet contains specifications on a product that is discontinued by Fairchild Semiconductor. The datasheet is for reference information only.

Rev. 142