



ON Semiconductor®

FAN256 — Dual Low Voltage Comparator

Features

- Low Supply Current: $I_{DD}=7\mu A$ (Typical)
- Single Power Supply Operation
- Wide Common-Mode Input Voltage Range: Rail-to-Rail
- Push-Pull Output Circuit
- Low Input Bias Current
- Internal Hysteresis
- Packaged in MicroPak™ 8 (1.6mm x 1.6mm)

Applications

- Mobile Phones
- Alarm and Security Systems
- Personal Digital Assistants

Description

The FAN256 is a low-power, dual comparator that typically consumes less than $10\mu A$ supply current per comparator. Guaranteed to operate at a low voltage of 1.6V and fully operational up to 5.5V, it is convenient for use in 1.8, 3.0V, and 5.0V systems.

The FAN256 has a complementary push-pull P- and N-channel output stage capable of driving a rail-to-rail output swing with a load ranging up to 5.0mA.

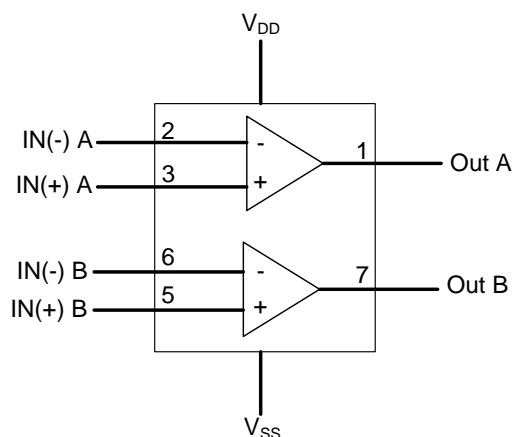


Figure 1. Functional Diagram

Ordering Information

| Part Number | Top Mark | Operating Temperature Range | Package | Packing Method |
|-------------|----------|-----------------------------|---|-----------------------------|
| FAN256L8X | CP | -40 to 85°C | 8-Lead, MicroPak™ 1.6mm x 1.6mm Package | 5000 Units on Tape and Reel |

Pin Configuration

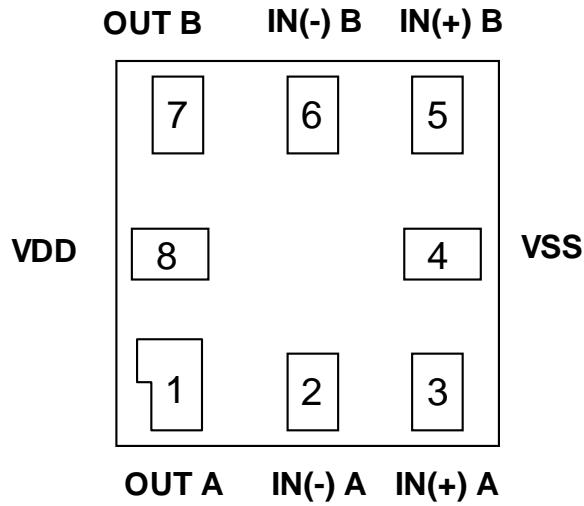


Figure 2. Pin Configuration (Top Through View)

Pin Definitions

| Pin # | Name | Description |
|-------|---------|-------------------------------------|
| 1 | OUT A | Comparator A Output |
| 2 | IN(-) A | Inverting Input of Comparator A |
| 3 | IN(+) A | Non-Inverting Input of Comparator A |
| 4 | VSS | Negative Supply Voltage |
| 5 | IN(+) B | Non-Inverting Input of Comparator B |
| 6 | IN(-) B | Inverting Input of Comparator B |
| 7 | OUT B | Comparator B Output |
| 8 | VDD | Positive Supply Voltage |

Function Table

| Inputs | Outputs |
|-----------------|-------------|
| $IN(-) > IN(+)$ | Output LOW |
| $IN(+) > IN(-)$ | Output HIGH |

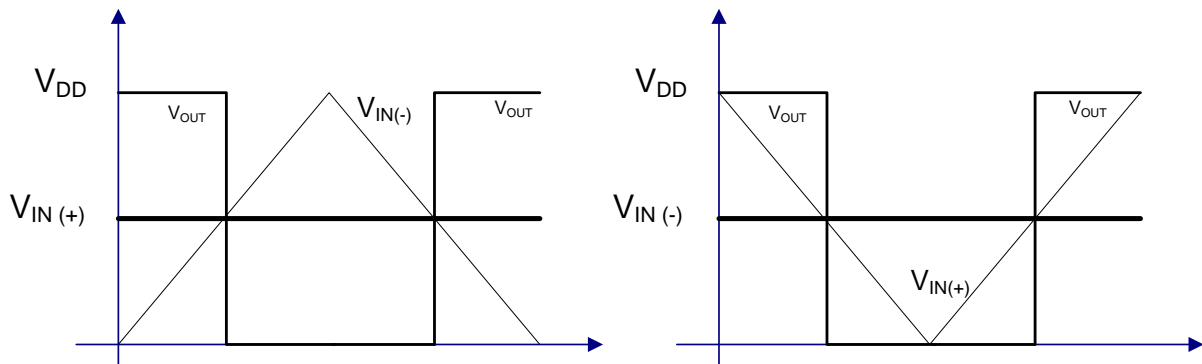


Figure 3. V_{IN} vs. V_{OUT}

Absolute Maximum Ratings

Stresses exceeding the absolute maximum ratings may damage the device. The device may not function or be operable above the recommended operating conditions and stressing the parts to these levels is not recommended. In addition, extended exposure to stresses above the recommended operating conditions may affect device reliability. The absolute maximum ratings are stress ratings only.

| Symbol | Parameter | Condition | Min. | Max. | Unit |
|------------------------------------|--|--|------|------------------------------------|------|
| V _{DD} to V _{SS} | Supply Voltage | | -3.0 | +3.0 | V |
| | | | 0 | 6.0 | |
| DV _{IN} | Differential Input Voltage | | | ±6 | |
| V _{IN} | Input Voltage | | | V _{SS} to V _{DD} | V |
| t _s | Output Short Circuit Duration ⁽¹⁾ | | | Indefinite | S |
| T _J | Junction Temperature | | | +150 | °C |
| T _{STG} | Storage Temperature Range | | -65 | +150 | °C |
| P _D | Power Dissipation | | | 226 | mW |
| θ _{JA} | Thermal Resistance | | | 287 | °C/W |
| ESD | IEC 61000-4-2 System ESD | Air Gap | | 15 | kV |
| | | Contact | | 8 | |
| | JEDEC JESD22-A114, Human Body Model | All Pins | | 8 | |
| | | Pin to Pin: IN(-), IN(+) to V _{DD} or V _{SS} | | 12 | |
| | JEDEC JESD22-C101, Charged Device Model | All Pins | | 2 | |

Note:

- The maximum total power dissipation must not be exceeded.

Recommended Operating Conditions

The Recommended Operating Conditions table defines the conditions for actual device operation. Recommended operating conditions are specified to ensure optimal performance to the datasheet specifications. ON Semiconductor does not recommend exceeding them or designing to Absolute Maximum Ratings.

| Symbol | Parameter | Condition | Min. | Max. | Unit |
|------------------------------------|---------------------------------|-----------------------|-------|------------------------------------|------|
| V _{DD} to V _{SS} | Power Supply | | -2.75 | +2.75 | V |
| | | | 0 | 5.5 | |
| V _{DD} | Power Supply | V _{SS} =0V | 1.6 | 5.5 | V |
| V _{IN} | Input Voltage | | | V _{SS} to V _{DD} | V |
| I _{OH} /I _{OL} | Output Sink/Source Current | V _{DD} =5.0V | | 5 | mA |
| | | V _{DD} =3.0V | | 3 | |
| | | V _{DD} =1.6V | | 1 | |
| T _A | Operating Temperature, Free Air | | -40 | +85 | °C |

Electrical Characteristics

| Symbol | Parameter | Condition | Min. | Typ. | Max. | Unit |
|---|--|---|-----------------|------|-----------------|------|
| V_{DD}=5.5V, V_{SS}=GND, and T_A=+25°C | | | | | | |
| V _{HYS} | Input Hysteresis | V _{CM} =0.5V _{DD} | | 4 | | mV |
| V _{IO} | Input Offset Voltage ⁽²⁾ | V _{CM} =0.5V _{DD} | -15 | ±1 | +15 | mV |
| I _{IO} | Input Offset Current | | | 10 | | pA |
| I _I | Input Bias Current | | | 10 | | pA |
| V _{CM} | Common Mode Input Voltage | | V _{SS} | | V _{DD} | V |
| CMRR | Common Mode Rejection Ratio ⁽³⁾ | V _{CM} =V _{DD} | | 68 | | dB |
| I _{DD} | Supply Current - Per Comparator | | | 7 | 17 | µA |
| PSRR | Power Supply Rejection Ratio ⁽³⁾ | ΔV _{DD} =0.5V | 45 | 80 | | dB |
| I _{OS} | Output Short Circuit Current | V _O =V _{DD} | | 60 | | mA |
| | | V _O =V _{SS} | | 90 | | |
| V _{OL} | Low-Level Output Voltage | I _{SINK} =5.0mA | | 0.1 | 0.3 | V |
| V _{OH} | High-Level Output Voltage | I _{SOURCE} =5.0mA | 5.2 | 5.4 | | V |
| t _{PLH} | Propagation Delay (Turn-On) | Overdrive=20mV, C _L =15pF | | 0.40 | | µs |
| t _{PHL} | Propagation Delay (Turn-Off) | Overdrive=20mV, C _L =15pF | | 0.42 | | µs |
| t _{TLH} | Response Time, Output Rise/Fall ⁽⁴⁾ | C _L =50pF | | 4.0 | | ns |
| t _{THL} | | | | 5.4 | | |
| V_{DD}=3V, V_{SS}=GND, and T_A=+25°C | | | | | | |
| V _{HYS} | Input Hysteresis | V _{CM} =0.5V _{DD} | | 4 | | mV |
| V _{IO} | Input Offset Voltage ⁽²⁾ | V _{CM} =0.5V _{DD} | -15 | ±1 | +15 | mV |
| I _{IO} | Input Offset Current | | | 10 | | pA |
| I _I | Input Bias Current | | | 10 | | pA |
| V _{CM} | Common Mode Input Voltage | | V _{SS} | | V _{DD} | V |
| CMRR | Common Mode Rejection Ratio ⁽³⁾ | V _{CM} =V _{DD} | | 60 | | dB |
| I _{DD} | Supply Current(x) Per Comparator | | | 6 | 15 | µA |
| PSRR | Power Supply Rejection Ratio ⁽³⁾ | ΔV _{DD} =0.5V | 45 | 70 | | dB |
| I _{OS} | Output Short Circuit Current | V _O =V _{DD} | | 27 | | mA |
| | | V _O =V _{SS} | | 35 | | |
| V _{OL} | Low-Level Output Voltage | I _{SINK} =3.0mA | | 0.15 | 0.35 | V |
| V _{OH} | High-Level Output Voltage | I _{SOURCE} =3.0mA | 2.65 | 2.85 | | V |
| t _{PLH} | Propagation Delay (Turn-On) | Overdrive=20mV, C _L =15pF | | 0.45 | | µs |
| t _{PHL} | Propagation Delay (Turn-Off) | Overdrive=20mV, C _L =15pF | | 0.47 | | µs |
| t _{TLH} | Response Time, Output Rise/Fall ⁽⁴⁾ | C _L =50pF | | 6.1 | | ns |
| t _{THL} | | | | 6.2 | | |

Continued on the following page...

Electrical Characteristics

| Symbol | Parameter | Condition | Min. | Typ. | Max. | Unit |
|---|--|---|-----------------|------|-----------------|------|
| V_{DD}=1.6V, V_{SS}=GND, and T_A=+25°C | | | | | | |
| V _{HYS} | Input Hysteresis | V _{CM} =0.5V _{DD} | | 3.5 | | mV |
| V _{IO} | Input Offset Voltage ⁽²⁾ | V _{CM} =0.5V _{DD} | -15 | ±1 | +15 | mV |
| I _{IO} | Input Offset Current | | | 10 | | pA |
| I _I | Input Bias Current | | | 10 | | pA |
| V _{CM} | Common Mode Input Voltage | | V _{SS} | | V _{DD} | V |
| CMRR | Common Mode Rejection Ratio ⁽³⁾ | V _{CM} =V _{DD} | | 56 | | dB |
| I _{DD} | Supply Current(x) Per Comparator | | | 5 | 13 | µA |
| PSRR | Power Supply Rejection Ratio ⁽³⁾ | ΔV _{DD} =0.5V | 45 | 70 | | dB |
| I _{OS} | Output Short Circuit Current | V _O =V _{DD} | | 5.5 | | mA |
| | | V _O =V _{SS} | | 7.5 | | |
| V _{OL} | Low-Level Output Voltage | I _{SINK} =1.0mA | | 0.15 | 0.25 | V |
| V _{OH} | High-Level Output Voltage | I _{SOURCE} =1.0mA | 1.35 | 1.50 | | V |
| t _{PLH} | Propagation Delay (Turn-On) | Overdrive=20mV, C _L =15pF | | 0.52 | | µs |
| t _{PHL} | Propagation Delay (Turn-Off) | Overdrive=20mV, C _L =15pF | | 0.54 | | µs |
| t _{TLH} | Response Time, Output Rise/Fall ⁽⁴⁾ | C _L =50pF | | 16.5 | | ns |
| t _{THL} | | | | 13.0 | | |

Notes:

- Differential input switching level is guaranteed at the minimum or maximum offset voltage, minus or plus half the maximum hysteresis voltage.
- Guaranteed by design and characterization data
- Input signal: 1kHz, square-wave signal with 10ns edge rate.

Typical Performance Characteristics

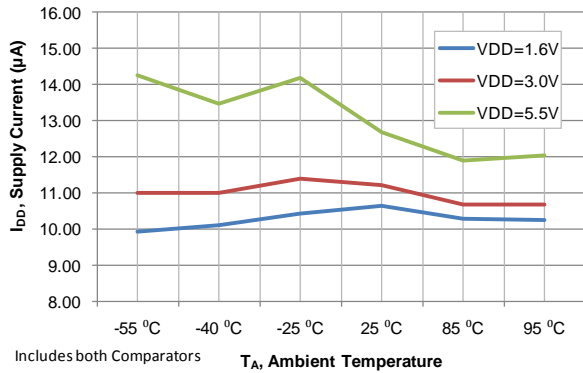


Figure 4. Supply Current vs. Temperature

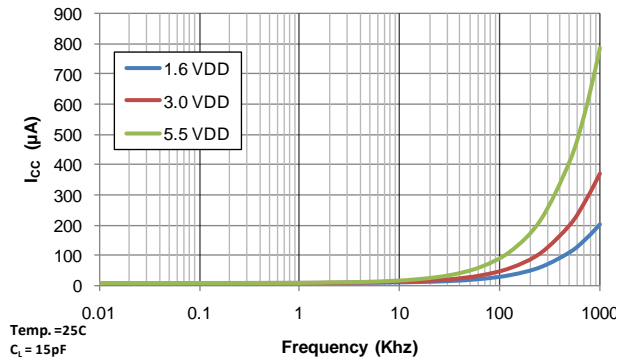


Figure 5. Supply Current vs. Output Transition Frequency

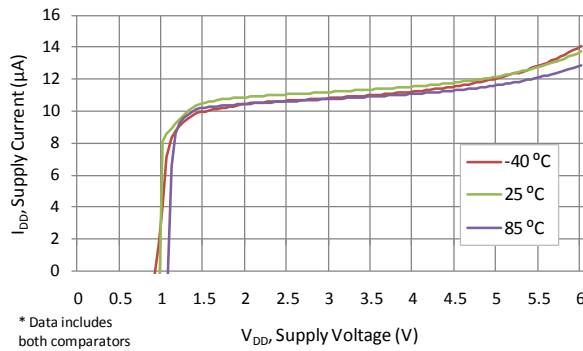


Figure 6. Supply Current vs. Supply Voltage

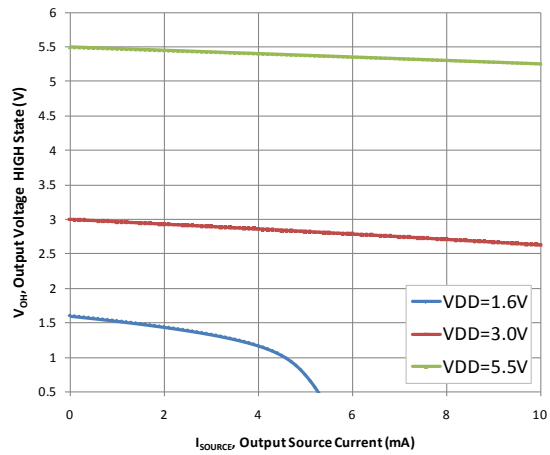


Figure 7. Output HIGH vs. Output Drive Current

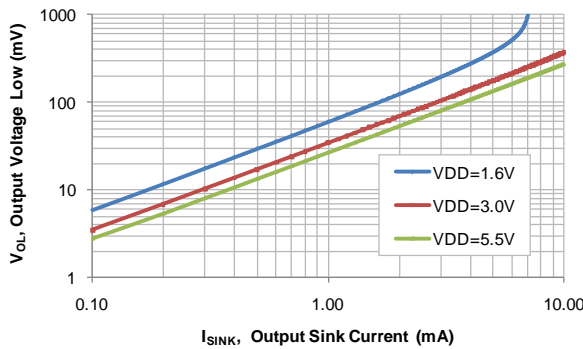


Figure 8. Output LOW vs. Output Drive Current

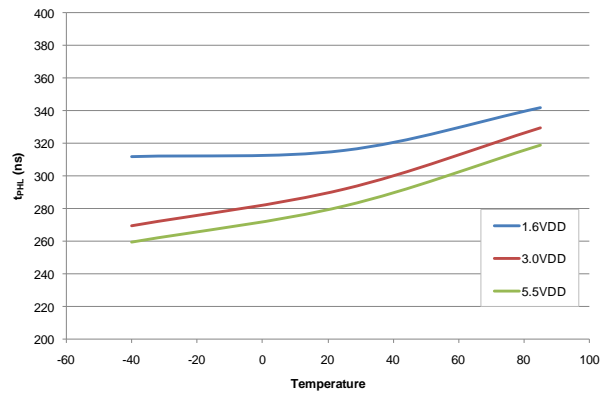


Figure 9. Propagation Delay (t_{PHL}) vs. Temperature

Typical Performance Characteristics (Continued)

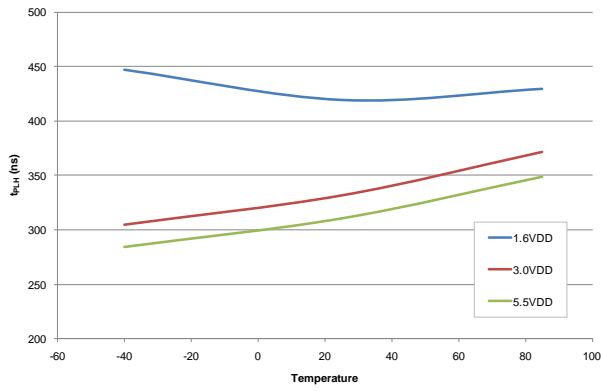


Figure 10. Propagation Delay (t_{PLH}) vs. Temperature

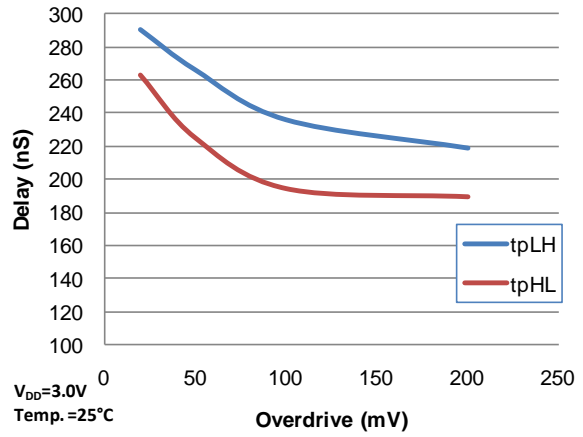


Figure 11. Propagation Delay vs. Input Overdrive

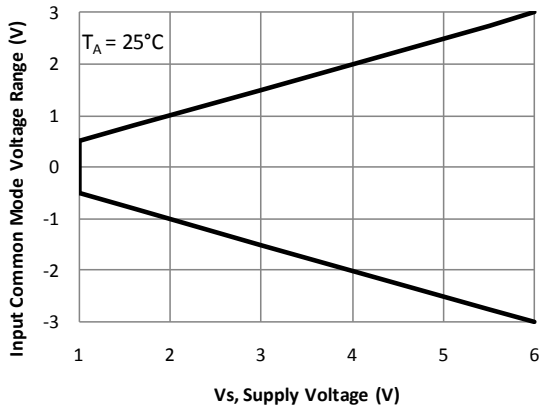


Figure 12. Input Common Mode Voltage Range vs. Supply Voltage

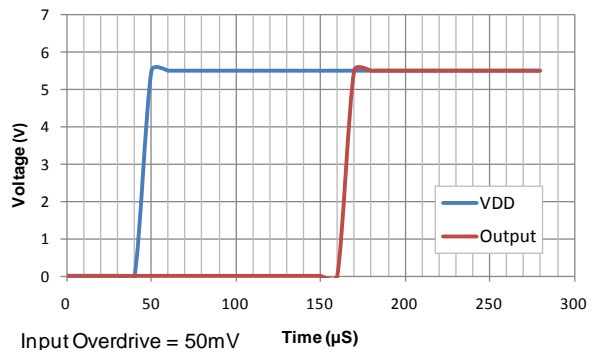
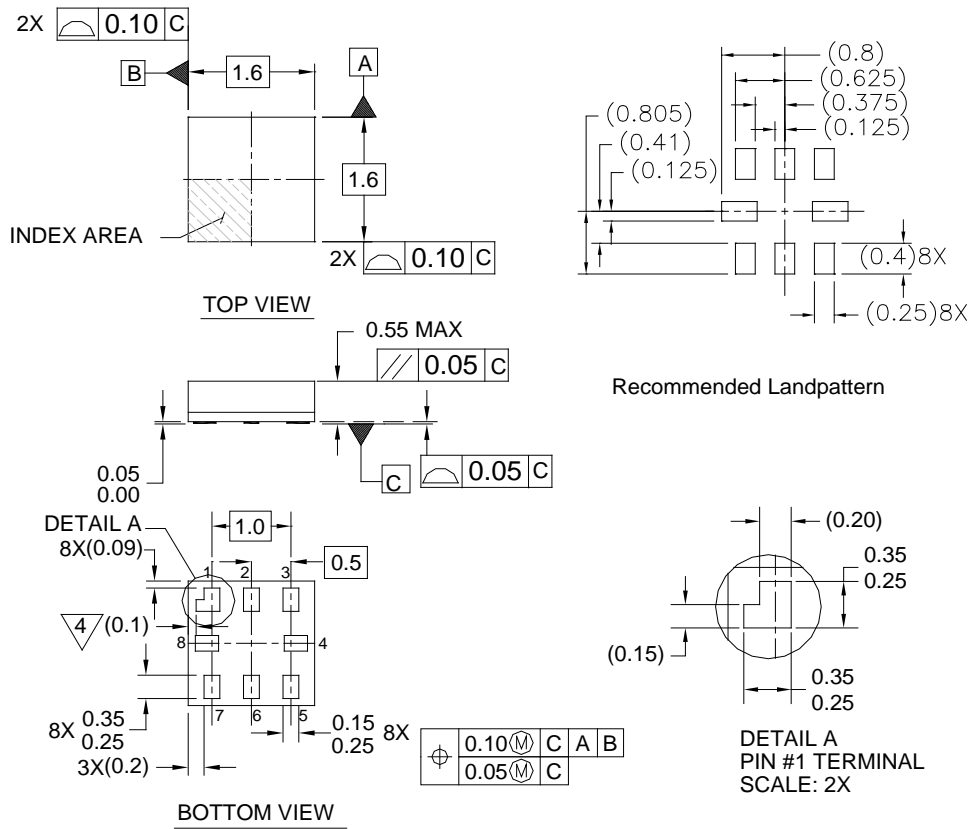


Figure 13. Power-Up Delay

Physical Dimensions



Notes:

1. PACKAGE CONFORMS TO JEDEC MO-255 VARIATION UAAD
2. DIMENSIONS ARE IN MILLIMETERS
3. DRAWING CONFORMS TO ASME Y.14M-1994
4. PIN 1 FLAG, END OF PACKAGE OFFSET
5. DRAWING FILE NAME: MKT-MAC08AREV4

MAC08AREV4

Figure 14. 8-Lead, MicroPak™ 1.6mm Wide

Package drawings are provided as a service to customers considering ON Semiconductor components. Drawings may change in any manner without notice. Please note the revision and/or date on the drawing and contact an ON Semiconductor representative to verify or obtain the most recent revision. Package specifications do not expand the terms of ON Semiconductor's worldwide terms and conditions, specifically the warranty therein, which covers ON Semiconductor products.

ON Semiconductor and the ON Semiconductor logo are trademarks of Semiconductor Components Industries, LLC dba ON Semiconductor or its subsidiaries in the United States and/or other countries. ON Semiconductor owns the rights to a number of patents, trademarks, copyrights, trade secrets, and other intellectual property. A listing of ON Semiconductor's product/patent coverage may be accessed at www.onsemi.com/site/pdf/Patent-Marking.pdf. ON Semiconductor reserves the right to make changes without further notice to any products herein. ON Semiconductor makes no warranty, representation or guarantee regarding the suitability of its products for any particular purpose, nor does ON Semiconductor assume any liability arising out of the application or use of any product or circuit, and specifically disclaims any and all liability, including without limitation special, consequential or incidental damages. Buyer is responsible for its products and applications using ON Semiconductor products, including compliance with all laws, regulations and safety requirements or standards, regardless of any support or applications information provided by ON Semiconductor. "Typical" parameters which may be provided in ON Semiconductor data sheets and/or specifications can and do vary in different applications and actual performance may vary over time. All operating parameters, including "Typicals" must be validated for each customer application by customer's technical experts. ON Semiconductor does not convey any license under its patent rights nor the rights of others. ON Semiconductor products are not designed, intended, or authorized for use as a critical component in life support systems or any FDA Class 3 medical devices or medical devices with a same or similar classification in a foreign jurisdiction or any devices intended for implantation in the human body. Should Buyer purchase or use ON Semiconductor products for any such unintended or unauthorized application, Buyer shall indemnify and hold ON Semiconductor and its officers, employees, subsidiaries, affiliates, and distributors harmless against all claims, costs, damages, and expenses, and reasonable attorney fees arising out of, directly or indirectly, any claim of personal injury or death associated with such unintended or unauthorized use, even if such claim alleges that ON Semiconductor was negligent regarding the design or manufacture of the part. ON Semiconductor is an Equal Opportunity/Affirmative Action Employer. This literature is subject to all applicable copyright laws and is not for resale in any manner.

PUBLICATION ORDERING INFORMATION

LITERATURE FULFILLMENT:

Literature Distribution Center for ON Semiconductor
19521 E. 32nd Pkwy, Aurora, Colorado 80011 USA

Phone: 303-675-2175 or 800-344-3860 Toll Free USA/Canada

Fax: 303-675-2176 or 800-344-3867 Toll Free USA/Canada

Email: orderlit@onsemi.com

N. American Technical Support: 800-282-9855 Toll Free
USA/Canada.

Europe, Middle East and Africa Technical Support:

Phone: 421 33 790 2910

Japan Customer Focus Center

Phone: 81-3-5817-1050

ON Semiconductor Website: www.onsemi.com

Order Literature: <http://www.onsemi.com/orderlit>

For additional information, please contact your local
Sales Representative