

FAN302UL

PWM Controller for Low Standby Power Battery-Charger Applications — mWSaver™ Technology

Features

- mWSaver™ Technology Provides Best-in-Class Standby Power
- Achieves <10mW, Far Below Energy Star's 5-Star Level (<30mW).
- Proprietary 500V High-Voltage JFET Startup Reduces Startup Resistor Loss
- Low Operation Current in Burst Mode: 350µA Maximum
- Constant-Current (CC) Control without Secondary-Side Feedback Circuitry
- Fixed PWM Frequency at 140kHz with Frequency Hopping to Reduce EMI
- High-Voltage Startup
- Low Operating Current: 3.5mA
- Peak-Current-Mode Control with Slope Compensation
- Cycle-by-Cycle Current Limiting
- V_{DD} Over-Voltage Protection (Auto-Restart)
- V_S Over-Voltage Protection (Latch Mode)
- V_{DD} Under-Voltage Lockout (UVLO)
- Gate Output Maximum Voltage Clamped at 15V
- Fixed Over-Temperature Protection (Latch Mode)
- Available in an 8-Lead SOIC Package

Applications

Battery chargers for cellular phones, cordless phones, PDA, digital cameras, and power tools. Replaces linear transformers and RCC SMPS.

Description

Advanced PWM controller FAN302UL significantly simplifies isolated power supply designs that require Constant Current (CC) regulation of the output. The output current is precisely estimated with information in the primary side of the transformer and controlled with an internal compensation circuit, not only removing the output current sensing loss, but also eliminating external CC control circuitry. A Green-Mode function with an extremely low operating current (200µA) in Burst Mode maximizes light-load efficiency, enabling conformance to worldwide Standby Mode efficiency guidelines.

Integrated protections include two-level pulse-by-pulse current limit, Over-Voltage Protection (OVP), brownout protection, and Over-Temperature Protection (OTP).

Compared with a conventional approach using external control circuit in the secondary side for CC regulation; the FAN302UL reduces total cost, component count, size, and weight, while simultaneously increasing efficiency, productivity, and system reliability.

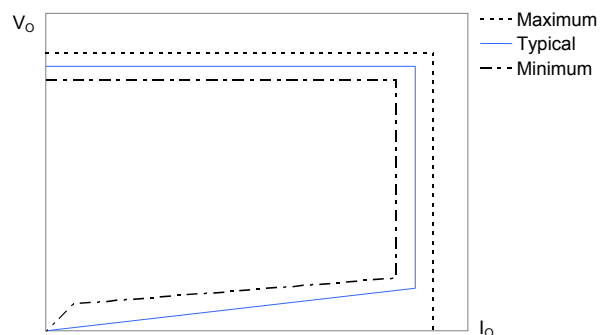


Figure 1. Typical Output V-I Characteristic

Ordering Information

Part Number	Operating Temperature Range	Package	Packing Method
FAN302ULMY	-40°C to +105°C	8-Lead, Small-Outline Integrated Circuit (SOIC), JEDEC MS-012, .150-Inch Narrow Body	Tape & Reel

Application Diagram

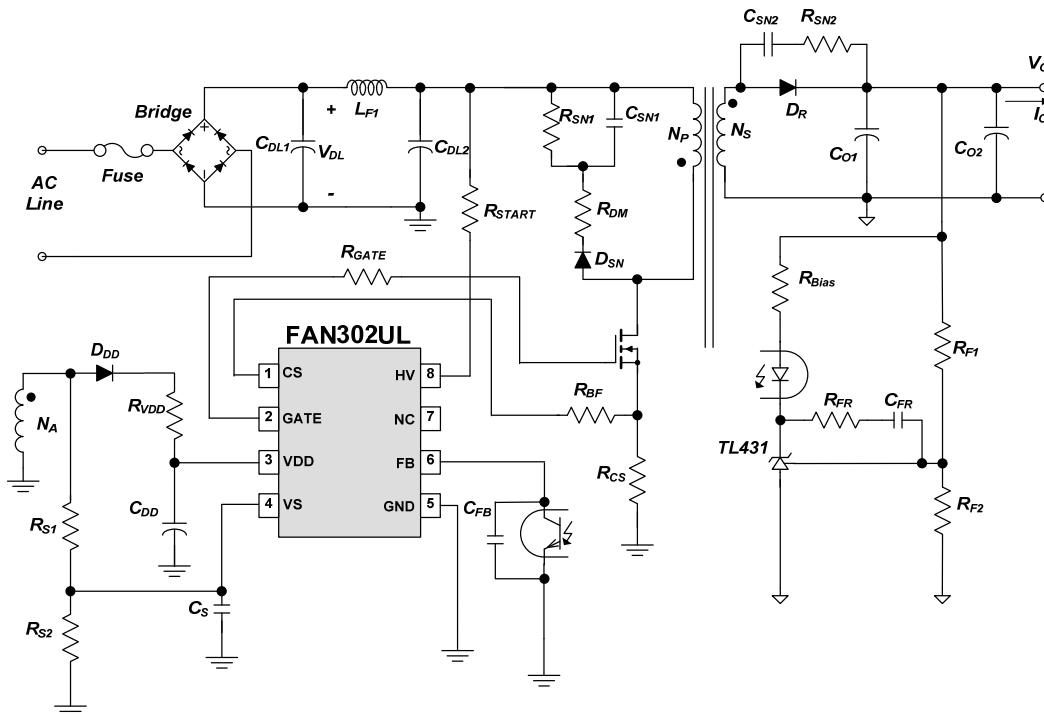


Figure 2. Typical Application

Internal Block Diagram

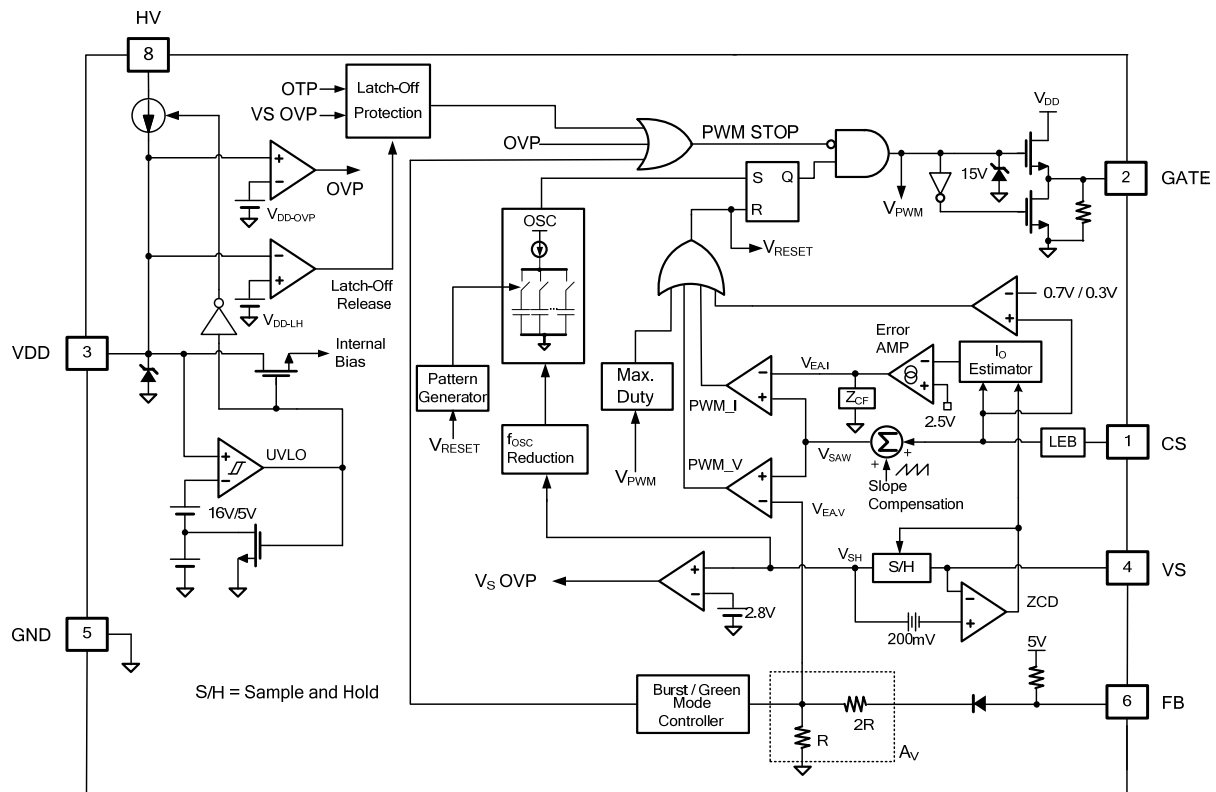


Figure 3. Functional Block Diagram

Marking Information

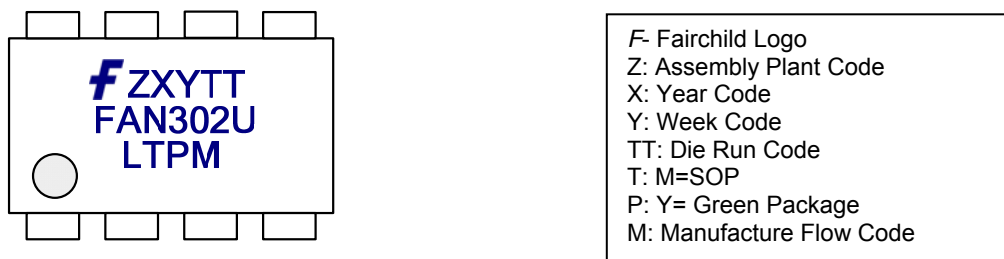


Figure 4. Top Mark

Pin Configuration

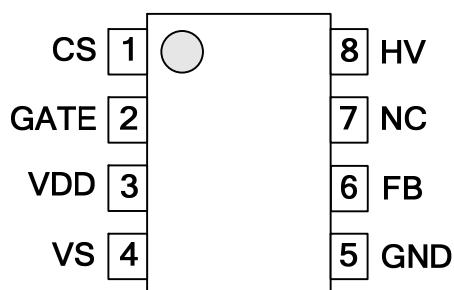


Figure 5. Pin Assignments

Pin Definitions

Pin #	Name	Description
1	CS	Current Sense. This pin connects a current-sense resistor to detect the MOSFET current for Peak-Current-Mode control for output regulation. The current-sense information is also used to estimate the output current for CC regulation.
2	GATE	PWM Signal Output. This pin has an internal totem-pole output driver to drive the power MOSFET. It is internally clamped at 15V.
3	VDD	Power Supply. IC operating current and MOSFET driving current are supplied through this pin. This pin is typically connected to an external V_{DD} capacitor.
4	VS	Voltage Sense. This pin detects the output voltage information and diode current discharge time based on voltage of the auxiliary winding.
5	GND	Ground
6	FB	Feedback. Typically, an Opto-Coupler is connected to this pin to provide feedback information to the internal PWM comparator. This feedback is used to control the duty cycle in CV regulation.
7	NC	No Connect
8	HV	High Voltage. This pin connects to the DC bus for high-voltage startup.

Absolute Maximum Ratings

Stresses exceeding the absolute maximum ratings may damage the device. The device may not function or be operable above the recommended operating conditions and stressing the parts to these levels is not recommended. In addition, extended exposure to stresses above the recommended operating conditions may affect device reliability. The absolute maximum ratings are stress ratings only.

Symbol	Parameter		Min.	Max.	Unit
V _{HV}	HV Pin Input Voltage			500	V
V _{VDD}	DC Supply Voltage ^(1,2)			30	V
V _{VS}	VS Pin Input Voltage		-0.3	7.0	V
V _{CS}	CS Pin Input Voltage		-0.3	7.0	V
V _{FB}	FB Pin Input Voltage		-0.3	7.0	V
P _D	Power Dissipation (T _A =25°C)			660	mW
θ _{JA}	Thermal Resistance (Junction-to-Air)			150	°C/W
θ _{JC}	Thermal Resistance (Junction-to-Case)			39	°C/W
T _J	Operating Junction Temperature		-40	+150	°C
T _{STG}	Storage Temperature Range		-55	+150	°C
T _L	Lead Temperature (Wave Soldering or IR, 10 Seconds)			+260	°C
ESD	Electrostatic Discharge Capability	Human Body Model, JEDEC:JESD22_A114 (Except HV Pin) ⁽³⁾		5.0	kV
		Charged Device Model, JEDEC:JESD22_C101 (Except HV Pin) ⁽³⁾		1.5	

Notes:

- All voltage values, except differential voltages, are given with respect to the GND pin.
- Stresses beyond those listed under Absolute Maximum Ratings may cause permanent damage to the device.
- ESD ratings including the HV pin: HBM=500V, CDM=750V.

Electrical Characteristics

$V_{DD}=15V$ and $T_A=25^\circ C$ unless noted.

Symbol	Parameter	Condition	Min.	Typ.	Max.	Unit	
HV Section							
V_{HV-MIN}	Minimum Startup Voltage on HV Pin				50	V	
I_{HV}	Supply Current Drawn from HV Pin	$V_{HV}=100V, V_{DD}=0V,$ Controller Off	0.8	1.5	5.0	mA	
I_{HV-LC}	Leakage Current Drawn from HV Pin	$V_{HV}=500V, V_{DD}=15V$ (Controller On with Auxiliary Supply)		0.8	3.0	μA	
V_{DD} Section							
V_{DD-ON}	Turn-On Threshold Voltage	V_{DD} Rising	15	16	17	V	
V_{DD-OFF}	Turn-Off Threshold Voltage	V_{DD} Falling	4.7	5.0	5.3	V	
V_{DD-LH}	Threshold Voltage for Latch-Off Release	V_{DD} Falling		2.50		V	
I_{DD-ST}	Startup Current	$V_{DD}=V_{DD-ON} - 0.16V$		400	450	μA	
I_{DD-OP}	Operating Supply Current	$V_{DD}=18V, f=f_{OSC}, C_L=1nF$		3.5	4.0	mA	
$I_{DD-BURST}$	Burst-Mode Operating Supply Current	$V_{DD}=8V, C_L=1nF$		200	350	μA	
V_{DD-OVP}	V_{DD} Over-Voltage Protection Level		25.0	26.5	28.0	V	
$t_{D-VDDOVP}$	V_{DD} Over-Voltage Protection Debounce Time	$f=140kHz$		100	180	μs	
Oscillator Section							
f_{OSC}	Frequency	Center Frequency	$V_{CS}=5V, V_S=2.5, V_{FB}=5V$	135	140	145	kHz
		Hopping Range			± 5		
$f_{OSC-CM-MIN}$	Minimum Frequency by Continuous Conduction Mode (CCM) Prevention Circuit ⁽⁴⁾			17	22	27	kHz
$f_{OSC-CCM}$	Minimum Frequency in (CC) Regulation		$V_{CS}=5V, V_S=0V$	40	45	50	kHz
Feedback Input Section							
A_V	Internal Voltage Scale-Down Ratio of FB Pin ⁽⁵⁾			1/3.5	1/3.0	1/2.5	V/V
Z_{FB}	FB Pin Input Impedance			38	42	44	k Ω
$V_{FB-OPEN}$	FB Pin Pull-Up Voltage		FB Pin Open		5.3		V
V_{FB-L}	FB Threshold to Disable Gate Drive in Burst Mode		V_{FB} Falling, $V_{CS}=5V, V_S=0V$	1.0	1.1	1.2	V
V_{FB-H}	FB Threshold to Enable Gate Drive in Burst Mode		V_{FB} Rising, $V_{CS}=5V, V_S=0V$	1.05	1.15	1.25	V
Over-Temperature Protection Section							
T_{OTP}	Threshold Temperature for Over-Temperature Protection ⁽⁶⁾			+130	+140	+150	$^\circ C$

Continued on the following page...

Electrical Characteristics (Continued)V_{DD}=15V and T_A=25°C unless noted.

Symbol	Parameter	Condition	Min.	Typ.	Max.	Unit
Voltage-Sense Section						
I _{TC}	Bias Current	V _{CS} =5V	8.75	10.00	11.25	μA
V _{VS-CM-MIN}	V _S Sampling Voltage to Switch to the Second Pulse-by-Pulse Current Limit in Power Limit Mode ⁽⁶⁾			0.55		V
V _{VS-CM-MAX}	V _S Sampling Voltage to Switch Back to the Normal Pulse-by-Pulse Current Limit ⁽⁶⁾			0.75		V
V _{SN-CC}	V _S Sampling Voltage to Start Frequency Decreasing in CC Mode	V _{CS} =5V, f _{S1} =f _{OSC} -2KHz		2.15		V
V _{SG-CC}	V _S Sampling Voltage to End Frequency Decreasing in CC Mode	V _{CS} =5V, f _{S2} =f _{OSC-CCM} +2KHz		0.70		V
S _{G-CC}	Frequency Decreasing Slope of CC Regulation	$S_{G-CC} = \frac{(f_{S1}-f_{S2})}{(V_{SN-CC}-V_{SG-CC})}$	52	64	76	kHz/V
I _{VS-UVP}	Sinking Current Threshold for Brownout Protection ⁽⁶⁾			47		μA
V _{VS-OFFSET}	ZCD Comparator Internal Offset Voltage ⁽⁶⁾			200		mV
V _{VS-OVP}	Output Over-Voltage Protection with V _S Sampling Voltage			2.80	2.85	V
t _{VS-OVP}	Output Over-Voltage Protection Debounce Time	f=140kHz		60	120	μs
Current-Sense Section						
V _{VR}	Internal Reference Voltage for CC Regulation		2.475	2.500	2.525	V
V _{CCR}	Variation Test Voltage on CS Pin for CC Output (Non-Inverting Input of Error Amplifier for CC Regulation)	V _{CS} =0.41V	2.405	2.430	2.455	V
V _{STH}	Normal Current Limit Threshold Voltage			0.7		V
V _{STH-VA}	Second Current Limit Threshold Voltage at Power Limit Mode (V _S <V _{VS-CM-MAX})	V _{VS} =0.3V	0.25	0.30	0.35	V
t _{PD}	GATE Output Turn-Off Delay			100	150	ns
t _{MIN}	Minimum On Time	V _{CS} =5V, V _{VS} =2.5, V _{FB} =5V (Test Mode)	180	250	320	ns
t _{LEB}	Leading-Edge Blanking Time ⁽⁶⁾		100	150	200	ns
V _{SLOPE}	Slope Compensation ⁽⁶⁾	Maximum Duty Cycle		0.3		V
GATE Section						
DCY _{MAX}	Maximum Duty Cycle		61	64	67	%
V _{GATE-L}	Output Voltage Low	V _{DD} =25V, I _O =10mA			1.5	V
V _{GATE-H}	Output Voltage High	V _{DD} =8V, I _O =1mA	5		8	V
V _{GATE-H}	Output Voltage High	V _{DD} =5.5V, I _O =1mA	4.0		5.5	V
t _r	Rising Time	V _{DD} =15V, C _L =1nF	100	140	180	ns
t _f	Falling Time	V _{DD} =15V, C _L =1nF	30	50	70	ns
V _{GATE-CLAMP}	Gate Output Clamping Voltage	V _{DD} =25V	13	15	17	V

Notes:

- f_{OSC-CM-MIN} occurs when the power unit enters CCM operation.
- A_V is a scale-down ratio of the internal voltage divider of the FB pin.
- Not tested; guaranteed by design.

Typical Performance Characteristics

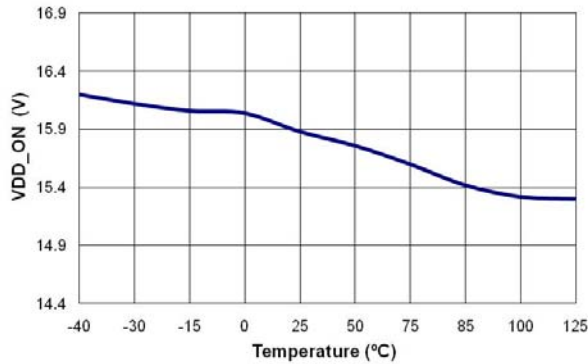


Figure 6. V_{DD} Turn-On Threshold Voltage (V_{DD-ON}) vs. Temperature

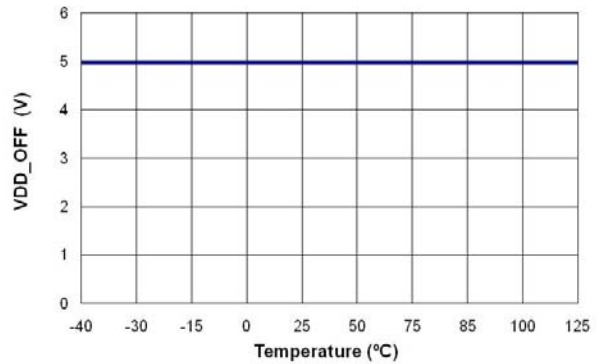


Figure 7. V_{DD} Turn-Off Threshold Voltage (V_{DD-OFF}) vs. Temperature

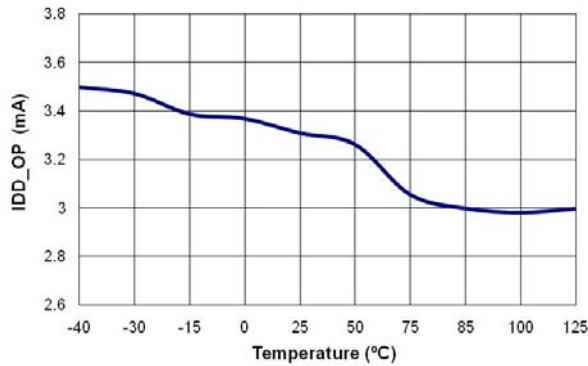


Figure 8. Operating Current (I_{DD-OP}) vs. Temperature

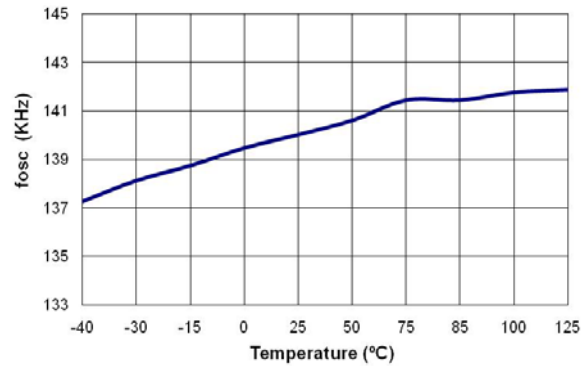


Figure 9. Burst Mode Operating Current (I_{DD-BURST}) vs. Temperature

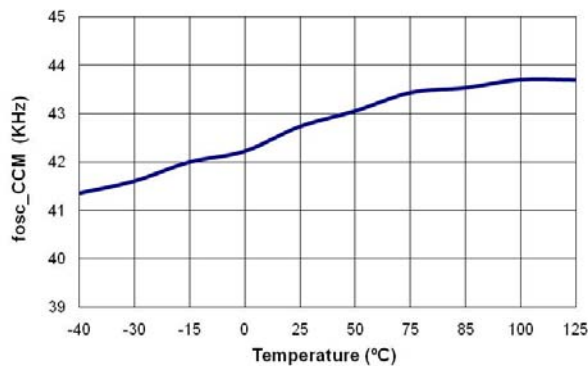


Figure 10. CC Regulation Minimum Frequency (f_{OSC-CCM}) vs. Temperature

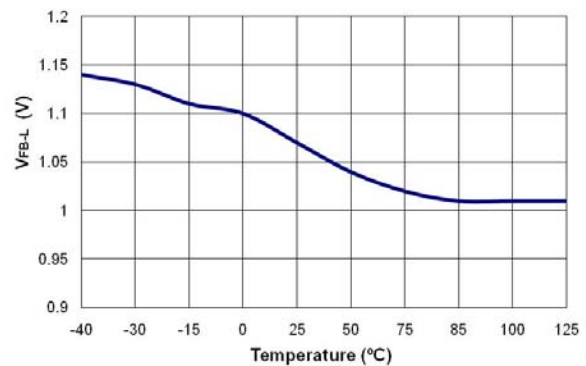


Figure 11. Enter Zero Duty Cycle of FB Voltage (V_{FB-L}) vs. Temperature

Typical Performance Characteristics

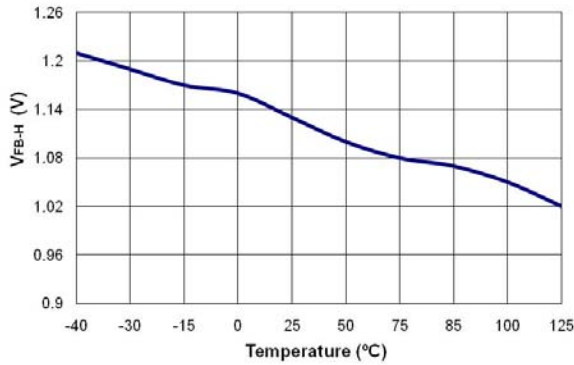


Figure 12. Leave Zero Duty Cycle of FB Voltage (V_{FB-H}) vs. Temperature

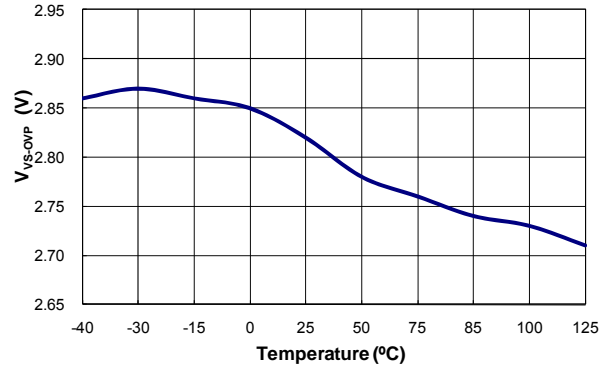


Figure 13. V_S Over-Voltage Protection (V_{VS-OVP}) vs. Temperature

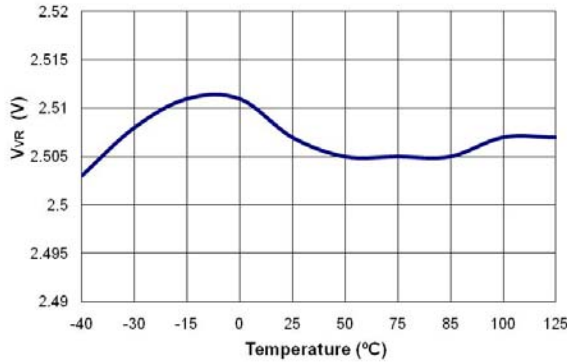


Figure 14. Reference Voltage of CS (V_{VR}) vs. Temperature

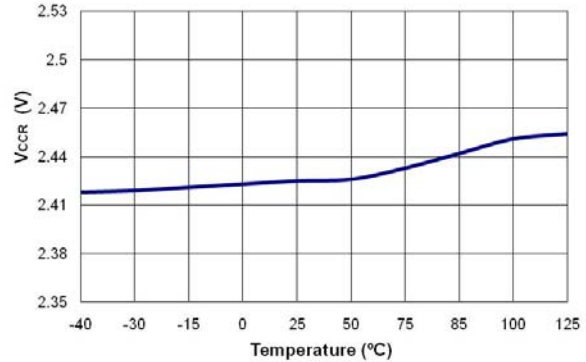


Figure 15. Variation Voltage on CS Pin for CC Regulation (V_{CCR}) vs. Temperature

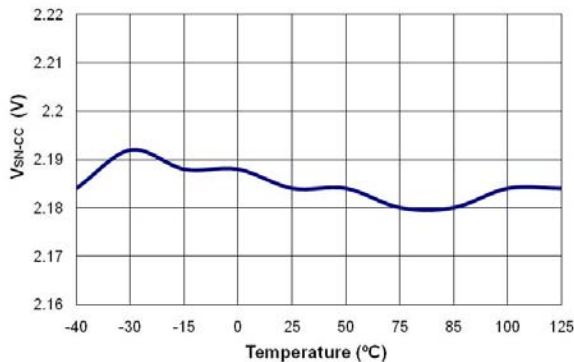


Figure 16. Starting Voltage of Frequency Decreasing of CC Regulation (V_{SN-CC}) vs. Temperature

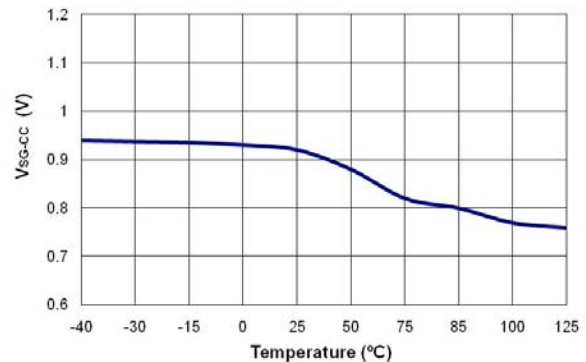


Figure 17. Ending Voltage of Frequency Decreasing of CC Regulation (V_{SG-CC}) vs. Temperature

Typical Performance Characteristics

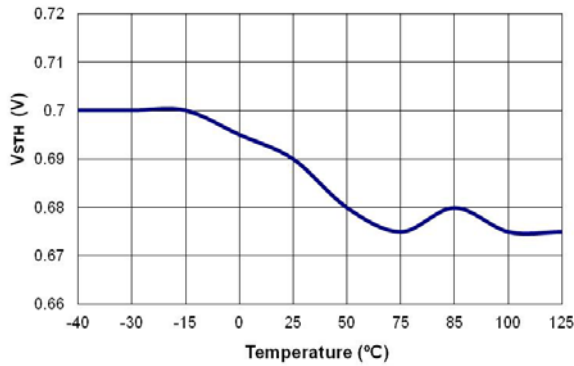


Figure 18. Threshold Voltage for Current Limit (V_{STH}) vs. Temperature

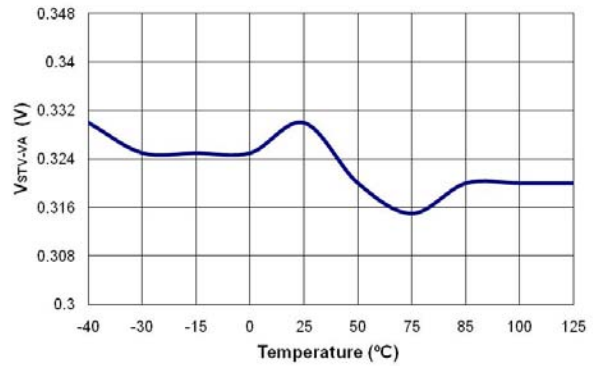


Figure 19. Threshold Voltage for Current Limit at Power Mode (V_{STH-VA}) vs. Temperature

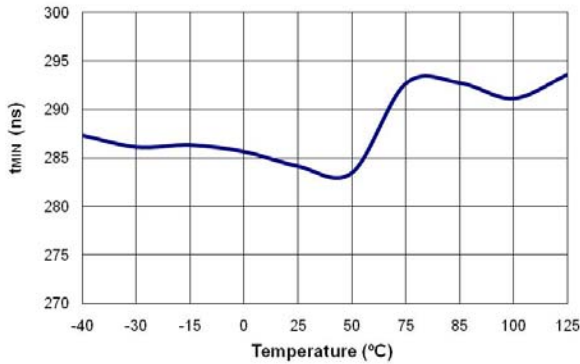


Figure 20. Minimum On Time (t_{MIN}) vs. Temperature

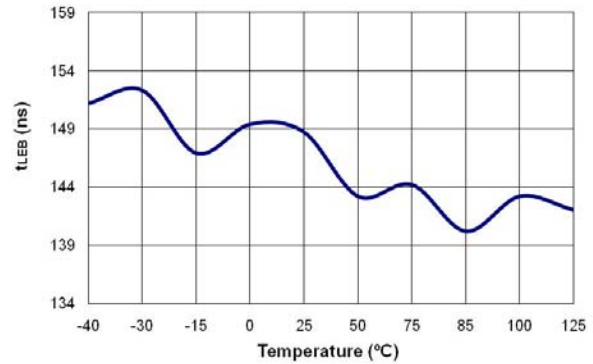


Figure 21. Leading-Edge Blanking Time (t_{LEB}) vs. Temperature

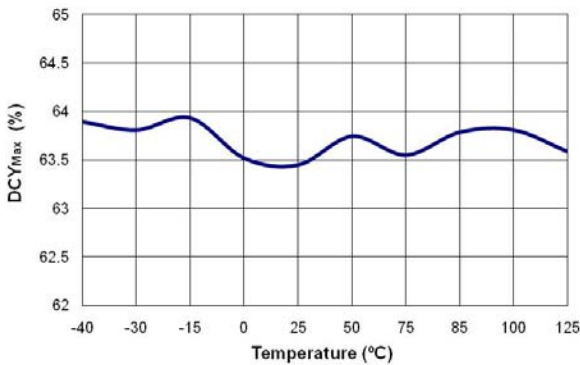


Figure 22. Maximum Duty Cycle (DCY_{MAX}) vs. Temperature

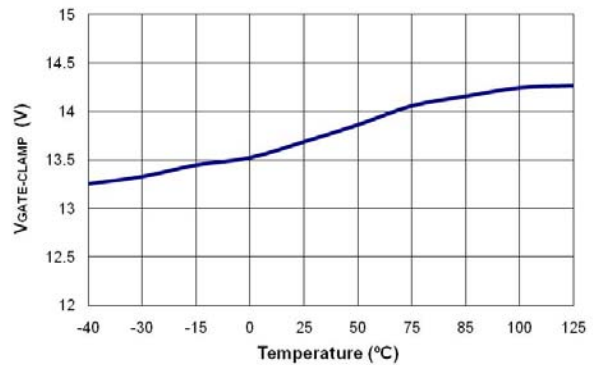


Figure 23. Gate Output Clamp Voltage ($V_{GATE-CLAMP}$) vs. Temperature

Operational Description

Basic Control Principle

Figure 24 shows the internal PWM control circuit. The Constant Voltage (CV) regulation is implemented in the same way as in a conventional isolated power supply, where the output voltage is sensed using a voltage divider and compared with the internal 2.5V reference of shut regulator (KA431) to generate a compensation signal. The compensation signal is transferred to the primary side using an opto-coupler and scaled down through an attenuator, Av, generating V_{EA,V} signal. Then, the error signal V_{EA,V} is applied to the PWM comparator (PWM.V) to determine the duty cycle.

Meanwhile, CC regulation is implemented internally without directly sensing output current. The output current estimator reconstructs output current data (V_{CCR}) using the transformer primary-side current and diode current discharge time. Then V_{CCR} is compared with a reference voltage (2.5V) by an internal error amplifier, generating a V_{EA,I} signal to determine duty cycle.

The two error signals, V_{EA,I} and V_{EA,V}, are compared with an internal sawtooth waveform (V_{SAW}) by PWM comparators PWM.I and PWM.V, respectively, to determine the duty cycle. Figure 24 shows the outputs of two comparators (PWM.I and PWM.V) combined with OR gate and used as a reset signal of flip-flop to determine the MOSFET turn-off instant. Of V_{EA,V} and V_{EA,I}, the lower signal determines the duty cycle, as shown in Figure 25. During CV regulation, V_{EA,V} determines the duty cycle while V_{EA,I} is saturated to HIGH. During CC regulation mode, V_{EA,I} determines the duty cycle while V_{EA,V} is saturated to HIGH.

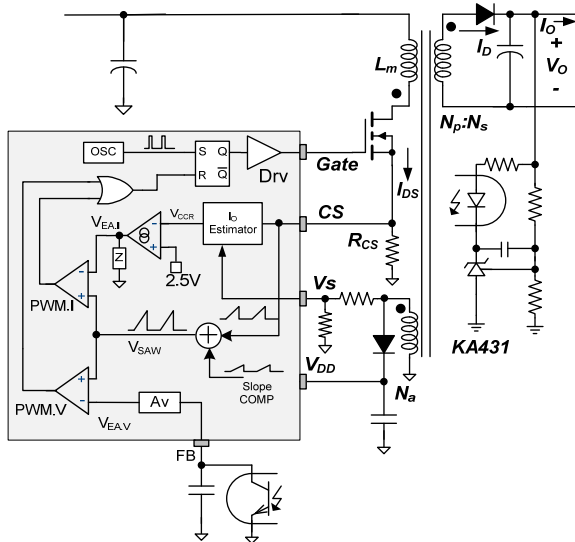


Figure 24. Internal PWM Control Circuit

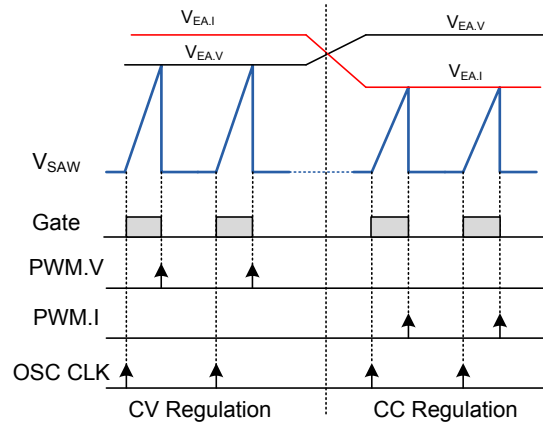


Figure 25. PWM Operation for CC and CV

Output Current Estimation

Figure 26 shows the key waveform of a flyback converter operating in Discontinuous Conduction Mode (DCM), where the secondary-side diode current reaches zero before the next switching cycle begins. Since the output current estimator is designed for DCM operation, the power stage should be designed such that DCM is guaranteed for the entire operating range. The output current is obtained by averaging the triangular output diode current area over a switching cycle as:

$$I_O = \langle I_D \rangle_{AVG} = I_{PK} \frac{N_P}{N_S} \frac{T_{DIS}}{2T_S} \quad (1)$$

where I_{PK} is the peak value of the primary-side current; N_P and N_S are the number of turns of transformer primary side and secondary side, respectively; t_{DIS} is the diode current discharge time; and t_S is the switching period.

I_{DS} (MOSFET Drain-to-Source Current)

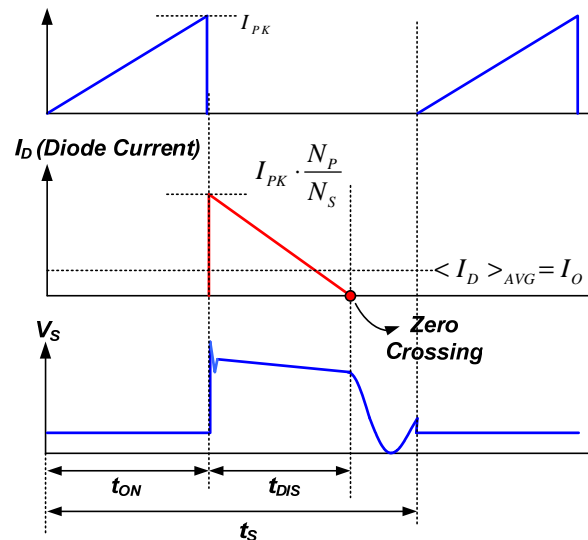


Figure 26. Key Waveforms of DCM Flyback Converter

With a given current sensing resistor, the output current can be programmed as:

$$I_o = \frac{1.25}{K \cdot R_{SENSE}} \frac{N_p}{N_s} \quad (2)$$

where K is the design parameter of IC, which is 12 for FAN302UL.

The peak value of primary-side current is obtained by an internal peak-detection circuit while diode current discharge time is obtained by detecting the diode current zero-crossing instant. Since the diode current cannot be sensed directly with primary-side control, the Zero Crossing Detection (ZCD) is accomplished indirectly by monitoring the auxiliary winding voltage. When the diode current reaches zero, the transformer winding voltage begins to drop by the resonance between the MOSFET output capacitance and transformer magnetizing inductance. To detect the starting instant of the resonance, the V_s is sampled at 85% of the diode current discharge time of the previous switching cycle and compared with the instantaneous V_s voltage. When instantaneous voltage of the VS pin drops below the sampled voltage by more than 200mV, ZCD of diode current is obtained as shown in Figure 27.

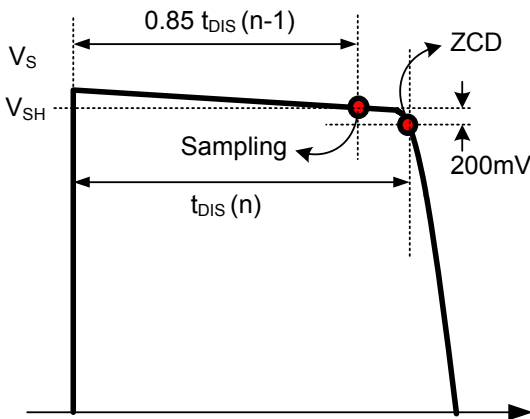


Figure 27. Detailed Waveform for ZCD

Frequency Reduction in CC Mode

The transformer should be designed to guarantee DCM operation over the whole operation range since the output current is properly estimated only in DCM operation. As can be seen in Figure 28, the discharge time (t_{DIS}) of the diode current increases as the output voltage decreases in CC Mode. The converter tends to go into CCM as output voltage drops in CC Mode when operating at the fixed switching frequency. To prevent this CCM operation and maintain good output current estimation in DCM, FAN302UL decreases switching frequency as output voltage drops, as shown in Figure 28 and Figure 29. FAN302UL indirectly monitors the output voltage by the sample-and-hold voltage (V_{SH}) of V_s , which is taken at 85% of diode current discharge time of the previous switching cycle, as shown in Figure 27. Figure 30 shows how the frequency reduces as the sample-and-hold voltage of the VS pin decreases.

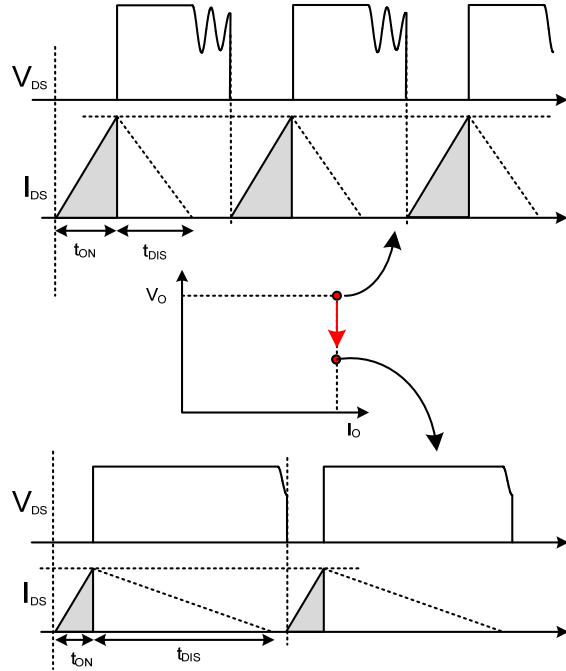


Figure 28. t_{DIS} Variation in CC Mode

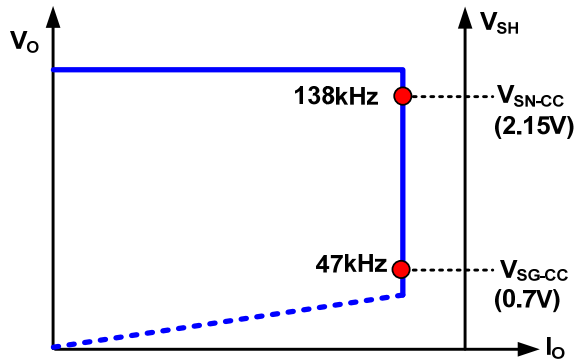


Figure 29. Frequency Reduction with V_{SH}

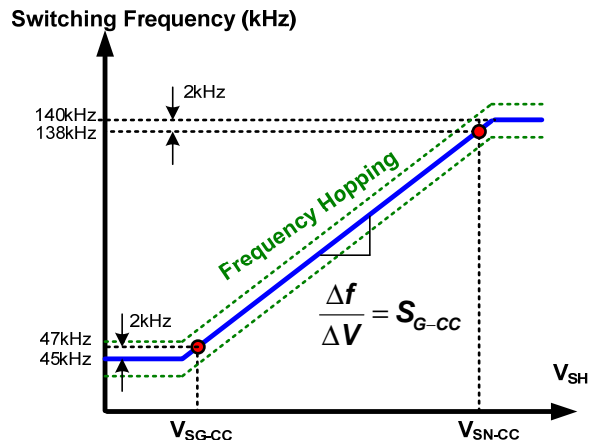


Figure 30. Frequency Reduction Curve in CC Regulation

CCM Prevention Function

Even if the power supply is designed to operate in DCM, it can go into Continuous Conduction Mode (CCM) when there is not enough design margin to cover all the circuit parameter variations and operating conditions. FAN302UL has a CCM-prevention function that delays the next cycle turn-on of MOSFET until ZCD on the VS pin is obtained, as shown in Figure 31. To guarantee stable DCM operation, FAN302UL prohibits the turn-on of the next switching cycle for 10% of its switching period after ZCD is obtained. In Figure 31, the first switching cycle has ZCD before 90% of its original switching period and, therefore, the turn-on instant of the next cycle is determined from its original switching period without being affected by the ZCD instant. The second switching cycle does not have ZCD by the end of its original switching period. The turn-on of the third switching cycle occurs after ZCD is obtained, with a delay of 10% of its original switching period. The minimum switching frequency the CCM-prevention function allows is 22kHz ($f_{OSC-CM-MIN}$). If the ZCD is not given until the end of maximum switching period of 45.5 μ s, the converter can go into CCM operation losing output regulation.

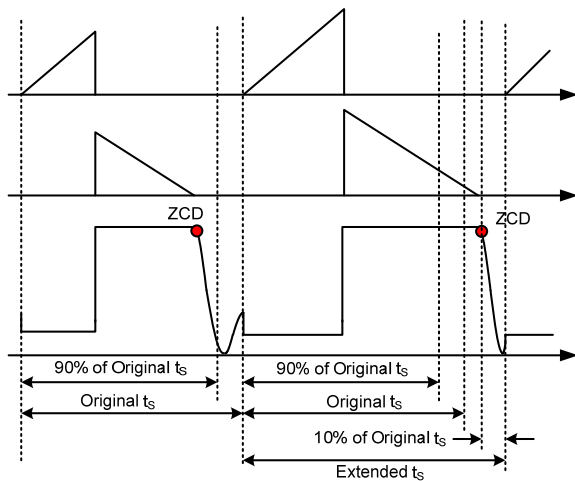


Figure 31. CCM Prevention Function

Power-Limit Mode

When the sampled voltage of V_S (V_{SH}) drops below $V_{S-CM-MIN}$ (0.55V), FAN302UL enters Constant Power Limit Mode, where the primary-side current limit voltage (V_{CS}) changes from V_{STH} (0.7V) to V_{STH-VA} (0.3V) to avoid miss-operation of V_S sampling and ZCD, as shown in Figure 32. Once the V_S sampling voltage is higher than $V_{S-CM-MAX}$ (0.75V), the V_{CS} returns to V_{STH} . This mode prevents the power supply from going into CCM and losing output regulation when the output voltage is too low. This effectively protects the power supply when there is a fault condition in the load, such as output short or overload. This operation mode also implements soft-start by limiting the transformer current until the V_S sampling voltage reaches $V_{S-CM-MAX}$ (0.75V).

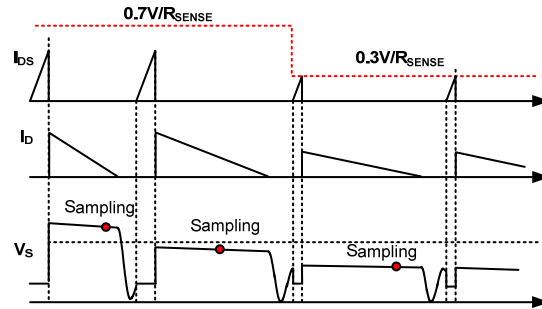


Figure 32. Power-Limit Mode Operation

High-Voltage (HV) Startup

Figure 33 shows the high-voltage startup circuit for FAN302UL applications. Internally a JFET is used to implement the high-voltage current source, whose characteristics are shown in Figure 34. Technically, the HV pin can be directly connected to the DC link (V_{DL}). However, to improve reliability and surge immunity, it is typical to use about 100k Ω resistor between the HV pin and DC link. The actual HV current with given DC link voltage and startup resistor is determined by the intersection of V-I characteristics line and load line, as shown in Figure 34.

During startup, the internal startup circuit is enabled and the DC link supplies the current, I_{HV} , to charge the hold-up capacitor, C_{VDD} , through R_{START} . When the V_{DD} voltage reaches V_{DD-ON} , the internal HV startup circuit is disabled and the IC starts PWM switching. Once the HV startup circuit is disabled, the energy stored in C_{VDD} should supply the IC operating current until the transformer auxiliary winding voltage reaches the nominal value. Therefore, C_{VDD} should be designed to prevent V_{DD} from dropping to V_{DD-OFF} before the auxiliary winding builds up enough voltage to supply V_{DD} .

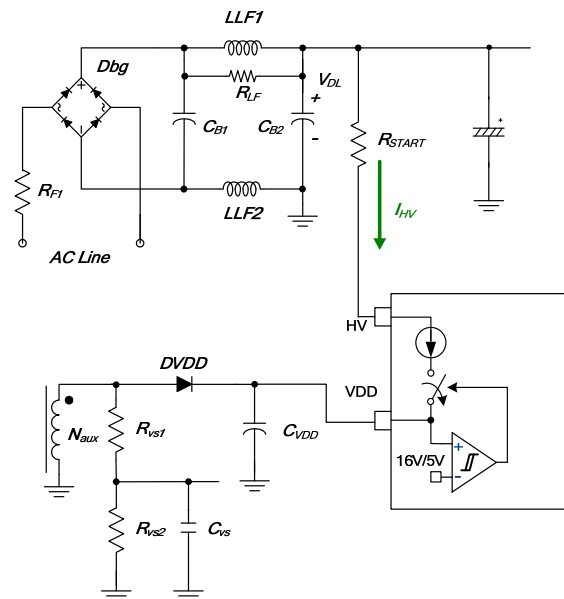


Figure 33. HV Startup Circuit

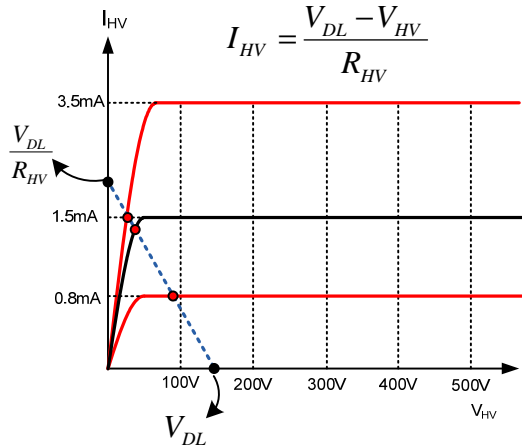


Figure 34. V-I Characteristics of HV Pin

Frequency Hopping

EMI reduction is accomplished by frequency hopping, which spreads the energy over a wider frequency range than the bandwidth of the EMI test equipment, allowing compliance with EMI limitations. The internal frequency-hopping circuit changes the switching frequency progressively between 135kHz and 145kHz with a period of t_p , as shown in Figure 35.

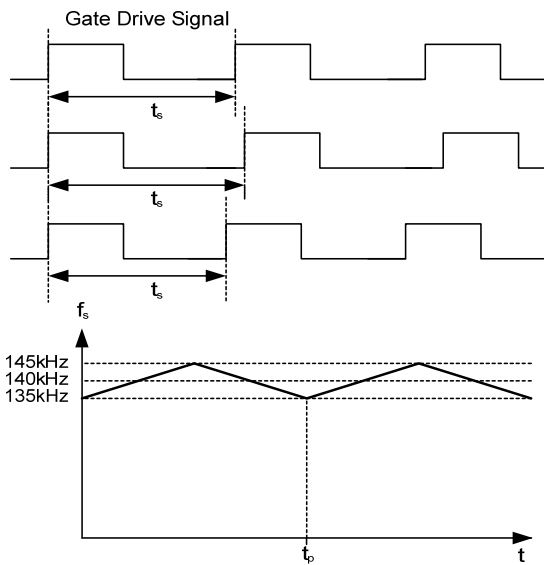


Figure 35. Frequency Hopping

Burst-Mode Operation

The power supply enters Burst Mode at no-load or extremely light-load conditions. As shown in Figure 36, when V_{FB} drops below V_{FBL} , the PWM output shuts off and the output voltage drops at a rate dependent on load current. This causes the feedback voltage to rise. Once V_{FB} exceeds V_{FBH} , the internal circuit starts to provide switching pulse. The feedback voltage then falls and the process repeats. Burst Mode alternately enables and disables switching of the MOSFET, reducing the switching losses in Standby Mode. Once FAN302UL enters Burst Mode, the operating current is reduced from 3.5mA to 200µA to minimize power consumption in Burst Mode.

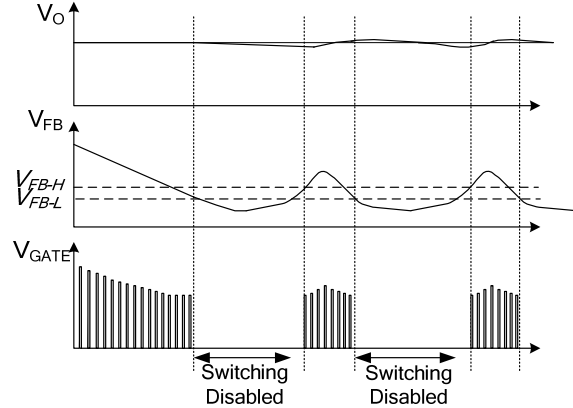


Figure 36. Burst-Mode Operation

Slope Compensation

The sensed voltage across the current-sense resistor is used for current-mode control and pulse-by-pulse current limiting. A synchronized ramp signal with positive slope is added to the current-sense information at each switching cycle, improving noise immunity of current-mode control.

Protections

The FAN302UL self-protection functions include V_{DD} Over-Voltage Protection (V_{DD} OVP), internal Over-Temperature Protection (OTP), V_S Over-Voltage Protection (V_S OVP), and brownout protection. The V_{DD} OVP and brownout protection are implemented as Auto-Restart Mode, while the V_S OVP and internal OTP are implemented as Latch Mode.

When an Auto Restart Mode protection is triggered, switching is terminated and the MOSFET remains off, causing V_{DD} to drop. When V_{DD} drops to the V_{DD} turn-off voltage of 5V; the protection is reset, the internal startup circuit is enabled, and the supply current drawn from the HV pin charges the hold-up capacitor. When V_{DD} reaches the turn-on voltage of 16V, normal operation resumes. In this manner, auto restart alternately enables and disables MOSFET switching until the abnormal condition is eliminated, as shown in Figure 37.

When a Latch Mode protection is triggered, PWM switching is terminated and the MOSFET remains off, causing V_{DD} to drop. When V_{DD} drops to the V_{DD} turn-off voltage of 5V, the internal startup circuit is enabled without resetting the protection, and the supply current drawn from HV pin charges the hold-up capacitor. Since the protection is not reset, the IC does not resume PWM switching even when V_{DD} reaches the turn-on voltage of 16V, disabling the HV startup circuit. Then, V_{DD} drops again down to 5V. In this manner, the Latch Mode protection alternately charges and discharges V_{DD} until there is no more energy in the DC link capacitor. The protection is reset when V_{DD} drops to 2.5V, which is allowed only after power supply is unplugged from the AC line, as shown in Figure 38.

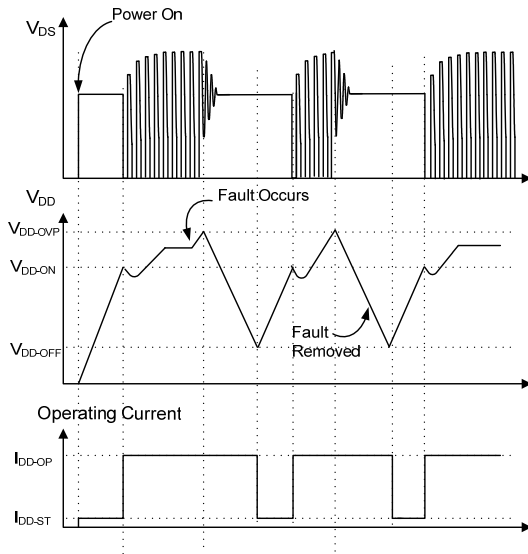


Figure 37. Auto-Restart Mode Operation

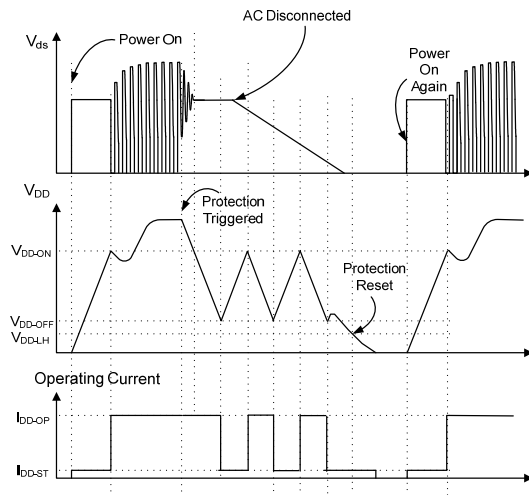


Figure 38. Latch-Mode Operation

V_{DD} Over-Voltage Protection

V_{DD} over-voltage protection prevents IC damage from over-voltage exceeding the IC voltage rating. When the V_{DD} voltage exceeds 26.5V due to abnormal conditions, the protection is triggered. This protection is typically caused by an open circuit of the secondary-side feedback network.

Input Voltage Sensing and Brownout Protection

The FAN302UL indirectly senses input voltage using the V_S pin current while the MOSFET is turned on. Since the V_S pin voltage is clamped at 0.7V when the MOSFET is turned on, the current flowing out of the V_S pin is approximately proportional to the input voltage, as shown in Figure 38. Current flowing out of the V_S pin is calculated by:

$$I_{VS.ON} = \left(\frac{N_A}{N_P} V_{DL} + 0.7 \right) \frac{1}{R_{VS1}} + \frac{0.7}{R_{VS2}} \cong \frac{N_A}{N_P} \frac{V_{DL}}{R_{VS1}} \quad (3)$$

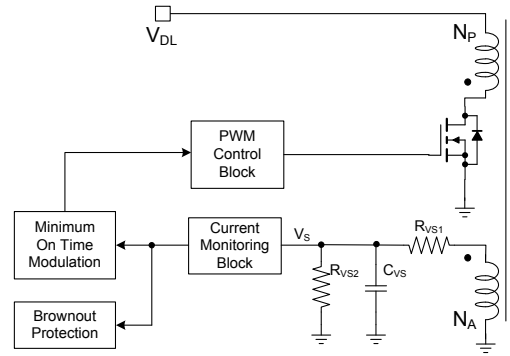


Figure 39. V_S Pin Current Sensing

FAN302UL modulates the minimum ON time of the MOSFET such that it reduces as input voltage increases, as shown Figure 40. This allows smaller minimum ON time for high-line condition, ensuring Burst Mode operation occurs at almost the same power level, regardless of line voltage variation. The minimum ON time is also related to the bundle frequency of Burst Mode operation.

The V_S current is also used for brownout protection. When the current out of the V_S pin while the MOSFET is on is smaller than 47μA for longer than 10ms, the brownout protection is triggered.

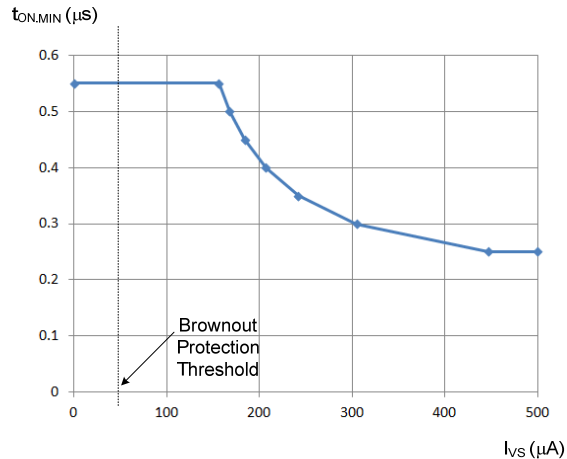


Figure 40. Minimum On Time vs. V_S Pin Current

Over-Temperature Protection (OTP)

The temperature-sensing circuit shuts down PWM output if the junction temperature exceeds 140°C (t_{OTP}).

V_S Over-Voltage Protection (OVP)

V_S over-voltage protection prevents damage due to output over-voltage conditions. Figure 41 shows the V_S OVP protection method. When abnormal system conditions occur that cause V_S to exceed 2.8V, after a period of debounce time; PWM pulses are disabled and FAN302UL enters Latch Mode until V_{DD} drops to under V_{DD-LH}. By that time, PWM pulses revive. V_S over-voltage conditions are usually caused by an open circuit of the secondary-side feedback network or abnormal behavior by the V_S pin divider resistor.

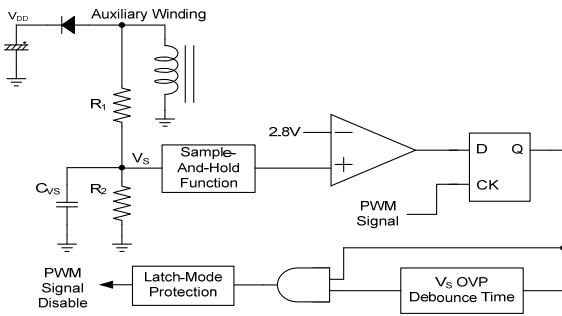


Figure 41. V_s OVP Protection

Leading-Edge Blanking (LEB)

Each time the power MOSFET is switched on, a turn-on spike occurs at the sense resistor. To avoid premature termination of the switching pulse, a 150ns leading-edge blanking time is built in. Conventional RC filtering can therefore be omitted. During this blanking period, the current-limit comparator is disabled and it cannot switch off the gate driver.

Noise Immunity

Noise from the current sense or the control signal can cause significant pulse-width jitter. While slope compensation helps alleviate these problems, further precautions should still be taken. Good placement and layout practices should be followed. Avoid long PCB traces and component leads and, locate bypass filter components near the PWM IC.

Typical Application Circuit (Flyback Charger)

Application	Fairchild Device	Input Voltage Range	Output
Cell Phone Charger	FAN302UL	90~265V _{AC}	5V/1.2A (6W)

Features

- Ultra-Low Standby Power Consumption: <20mW at 264V_{AC} (Pin=6.3mW for 115V_{AC} and Pin=7.3mW for 230V_{AC})
- Output Regulation: CV:±5%, CC:±15%

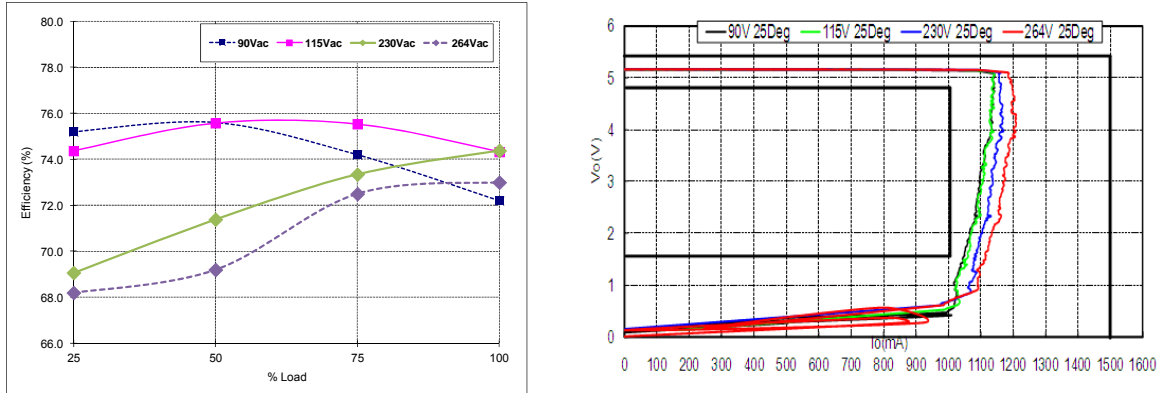


Figure 42. Measured Efficiency and Output Regulation

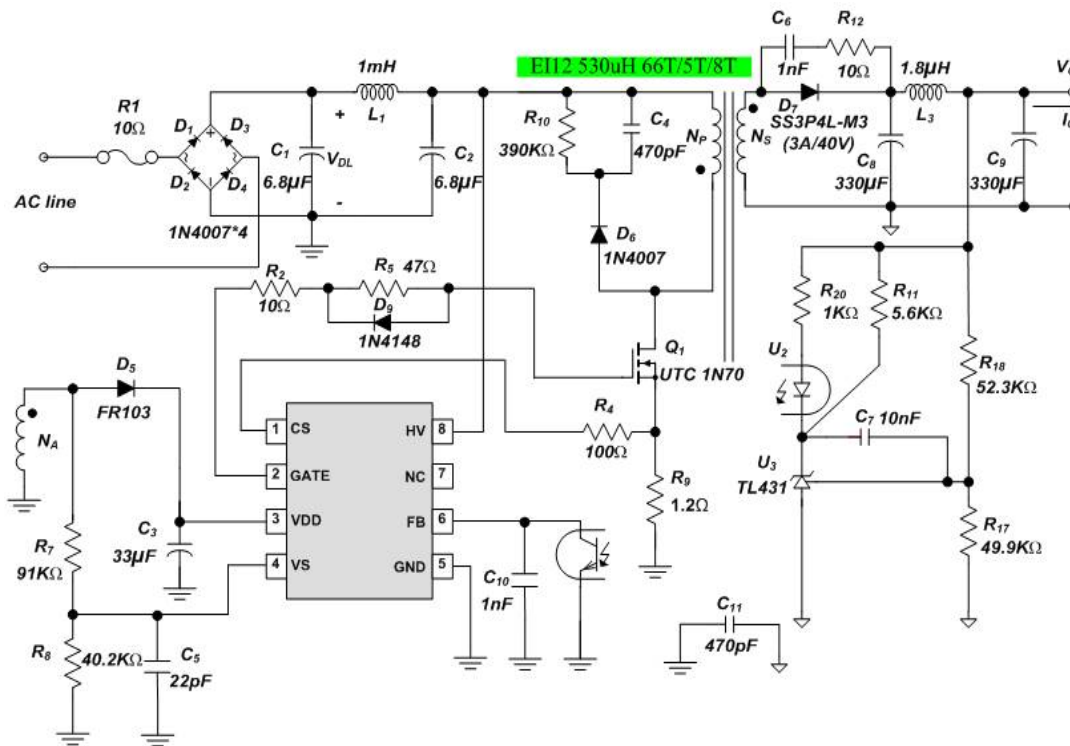


Figure 43. Schematic of Typical Application Circuit

Typical Application Circuit (Continued)

Transformer Specification

- Core: EI12.5
- Bobbin: EI12.5

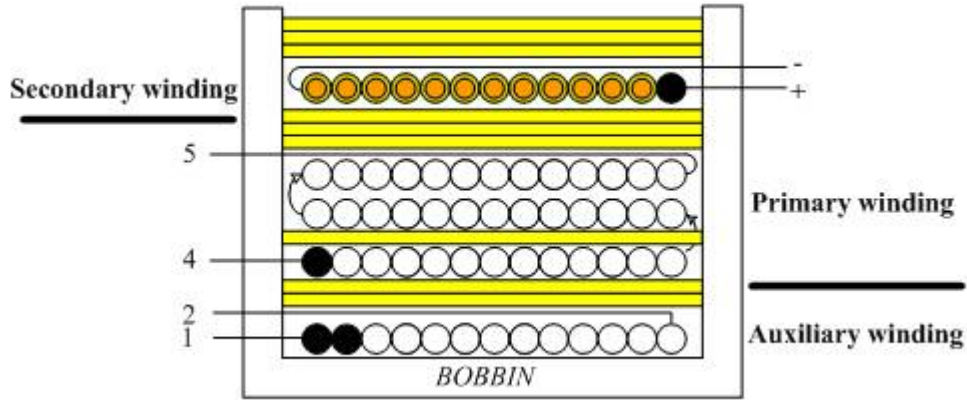


Figure 44. Transformer

- W1 is space winding in one layer.
- W2 consists of three layers with different numbers of turns. The number of turns of each layer is specified in Table 1.
- W3 consists of two layers with triple-insulated wire. The leads of positive and negative fly lines are 3.5cm and 2.5cm, respectively.

Table 1. Transformer Winding Specifications


No.	Terminal		Wire	Turns	Insulation
	Start Pin	End Pin			Turns
W1	1	2	2UEW 0.15*2	8	2
W2	4	5	2UEW 0.12*1	22	0
				22	1
				22	3
W3	Fly+	Fly-	TEX-E 0.4*1	5	3

	Pin	Specifications	Remark
Primary-Side Inductance	4 – 5	530 μ H \pm 7%	100kHz, 1V
Primary-Side Effective Leakage Inductance	4 – 5	52 μ H \pm 5%	Short One of the Secondary Windings



TRADEMARKS

The following includes registered and unregistered trademarks and service marks, owned by Fairchild Semiconductor and/or its global subsidiaries, and is not intended to be an exhaustive list of all such trademarks.

- | | | | |
|---|--|---|---|
| 2Cool™ | F-PFST™ | PowerTrench® | The Power Franchise® |
| AccuPower™ | FRFET® | PowerXS™ | the power franchise |
| AX-CAP™* | Global Power Resource SM | Programmable Active Droop™ | TinyBoost™ |
| BitSiC™ | GreenBridge™ | QFET® | TinyBuck™ |
| Build it Now™ | Green FPS™ | QS™ | TinyCalc™ |
| CorePLUS™ | Green FPS™ e-Series™ | Quiet Series™ | TinyLogic® |
| CorePOWER™ | Gmax™ | RapidConfigure™ | TINYOPTO™ |
| CROSSVOLT™ | GTO™ |  | TinyPower™ |
| CTL™ | IntelliMAX™ | Saving our world, 1mW/W/kW at a time™ | TinyPWM™ |
| Current Transfer Logic™ | ISOPLANAR™ | SignalWise™ | TinyWire™ |
| DEUXPEED® | Making Small Speakers Sound Louder and Better™ | SmartMax™ | TranSiC™ |
| Dual Cool™ | MegaBuck™ | SMART START™ | TriFault Detect™ |
| EcoSPARK® | MICROCOUPLER™ | Solutions for Your Success™ | TRUECURRENT®* |
| EfficientMax™ | MicroFET™ | SPM® | µSerDes™ |
| ESBC™ | MicroPak™ | STEALTH™ |  |
|  | MicroPak2™ | SuperFET® | UHC® |
| Fairchild® | MillerDrive™ | SuperSOT™-3 | Ultra FRFET™ |
| Fairchild Semiconductor® | MotionMax™ | SuperSOT™-6 | UniFET™ |
| FACT Quiet Series™ | mWSaver™ | SuperSOT™-8 | VCX™ |
| FACT® | OptoHit™ | SupreMOS® | VisualMax™ |
| FAST® | OPTOLOGIC® | SyncFET™ | VoltagePlus™ |
| FastvCore™ | OPTOPLANAR® | Sync-Lock™ | XS™ |
| FETBench™ | |  | |
| FlashWriter®* | | | |
| FPS™ | | | |

* Trademarks of System General Corporation, used under license by Fairchild Semiconductor.

DISCLAIMER

FAIRCHILD SEMICONDUCTOR RESERVES THE RIGHT TO MAKE CHANGES WITHOUT FURTHER NOTICE TO ANY PRODUCTS HEREIN TO IMPROVE RELIABILITY, FUNCTION, OR DESIGN. FAIRCHILD DOES NOT ASSUME ANY LIABILITY ARISING OUT OF THE APPLICATION OR USE OF ANY PRODUCT OR CIRCUIT DESCRIBED HEREIN; NEITHER DOES IT CONVEY ANY LICENSE UNDER ITS PATENT RIGHTS, NOR THE RIGHTS OF OTHERS. THESE SPECIFICATIONS DO NOT EXPAND THE TERMS OF FAIRCHILD'S WORLDWIDE TERMS AND CONDITIONS, SPECIFICALLY THE WARRANTY THEREIN, WHICH COVERS THESE PRODUCTS.

LIFE SUPPORT POLICY

FAIRCHILD'S PRODUCTS ARE NOT AUTHORIZED FOR USE AS CRITICAL COMPONENTS IN LIFE SUPPORT DEVICES OR SYSTEMS WITHOUT THE EXPRESS WRITTEN APPROVAL OF FAIRCHILD SEMICONDUCTOR CORPORATION.

As used herein:

1. Life support devices or systems are devices or systems which, (a) are intended for surgical implant into the body or (b) support or sustain life, and (c) whose failure to perform when properly used in accordance with instructions for use provided in the labeling, can be reasonably expected to result in a significant injury of the user.
2. A critical component in any component of a life support, device, or system whose failure to perform can be reasonably expected to cause the failure of the life support device or system, or to affect its safety or effectiveness.

ANTI-COUNTERFEITING POLICY

Fairchild Semiconductor Corporation's Anti-Counterfeiting Policy. Fairchild's Anti-Counterfeiting Policy is also stated on our external website, www.fairchildsemi.com, under Sales Support.

Counterfeiting of semiconductor parts is a growing problem in the industry. All manufacturers of semiconductor products are experiencing counterfeiting of their parts. Customers who inadvertently purchase counterfeit parts experience many problems such as loss of brand reputation, substandard performance, failed applications, and increased cost of production and manufacturing delays. Fairchild is taking strong measures to protect ourselves and our customers from the proliferation of counterfeit parts. Fairchild strongly encourages customers to purchase Fairchild parts either directly from Fairchild or from Authorized Fairchild Distributors who are listed by country on our web page cited above. Products customers buy either from Fairchild directly or from Authorized Fairchild Distributors are genuine parts, have full traceability, meet Fairchild's quality standards for handling and storage and provide access to Fairchild's full range of up-to-date technical and product information. Fairchild and our Authorized Distributors will stand behind all warranties and will appropriately address any warranty issues that may arise. Fairchild will not provide any warranty coverage or other assistance for parts bought from Unauthorized Sources. Fairchild is committed to combat this global problem and encourage our customers to do their part in stopping this practice by buying direct or from authorized distributors.

PRODUCT STATUS DEFINITIONS

Definition of Terms

Datasheet Identification	Product Status	Definition
Advance Information	Formative / In Design	Datasheet contains the design specifications for product development. Specifications may change in any manner without notice.
Preliminary	First Production	Datasheet contains preliminary data; supplementary data will be published at a later date. Fairchild Semiconductor reserves the right to make changes at any time without notice to improve design.
No Identification Needed	Full Production	Datasheet contains final specifications. Fairchild Semiconductor reserves the right to make changes at any time without notice to improve the design.
Obsolete	Not In Production	Datasheet contains specifications on a product that is discontinued by Fairchild Semiconductor. The datasheet is for reference information only.

Rev. 162