

FAN6862

Highly Integrated Green-Mode PWM Controller

Features

- Low Startup Current: 8μA
- Low Operating Current in Green Mode: 3mA
- Peak-Current Mode Operation with Cycle-by-Cycle Current Limiting
- PWM Frequency Continuously Decreasing with Burst Mode at Light Loads
- V_{DD} Over-Voltage Protection (OVP)
- Constant Output Power Limit (Full AC Input Range)
- Internal Latch Circuit for OVP, OTP
- Fixed PWM Frequency (65KHz) with Frequency Hopping
- Feedback Open-Loop Protection with 56ms Delay
- Soft Start Time: 4ms
- 400mA Driving Capability

Applications

General-purpose switch-mode power supplies and flyback power converters, including:

- Power Adapters
- Open-Frame SMPS
- SMPS with Surge-Current Output, such as for Printers, Scanners, and Motor Drivers

Description

A highly integrated PWM controller, FAN6862 provides several features to enhance the performance of flyback converters. To minimize standby power consumption, a proprietary green-mode function provides off-time modulation to continuously decrease the switching frequency under light-load conditions. Under zero-load conditions, the power supply enters burst-mode, which completely shuts off PWM output. Output restarts just before the supply voltage drops below the UVLO lower limit. This green-mode function enables power supplies to meet international power conservation requirements.

The FAN6862 is designed for SMPS and integrates a frequency-hopping function that helps reduce EMI emission of a power supply with minimum line filters. The built-in synchronized slope compensation is proprietary sawtooth compensation for constant output power limit over universal AC input range. The gate output is clamped at 18V to protect the external MOSFET from over-voltage damage.

Other protection functions include V_{DD} over-voltage protection and over-temperature protection. For over-temperature protection, an external NTC thermistor can be applied to sense the ambient temperature. When V_{DD} OVP or OTP is activated, an internal latch circuit latches off the controller.

| Part Number | OVP | OTP | OLP |
|-------------|-------|-------|--------------|
| FAN6862TY | Latch | Latch | Auto Restart |
| FAN6862NY | Latch | Latch | Auto Restart |

Ordering Information

| Part Number | Operating Temperature Range | Package | Packing Method |
|-------------|-----------------------------|----------------------------------|----------------|
| FAN6862TY | -40 to +105°C | 6-Pin SSOT-6 | Tape & Reel |
| FAN6862NY | -40 to +105°C | 8-Pin Dual In-Line Package (DIP) | Tube |

Typical Application

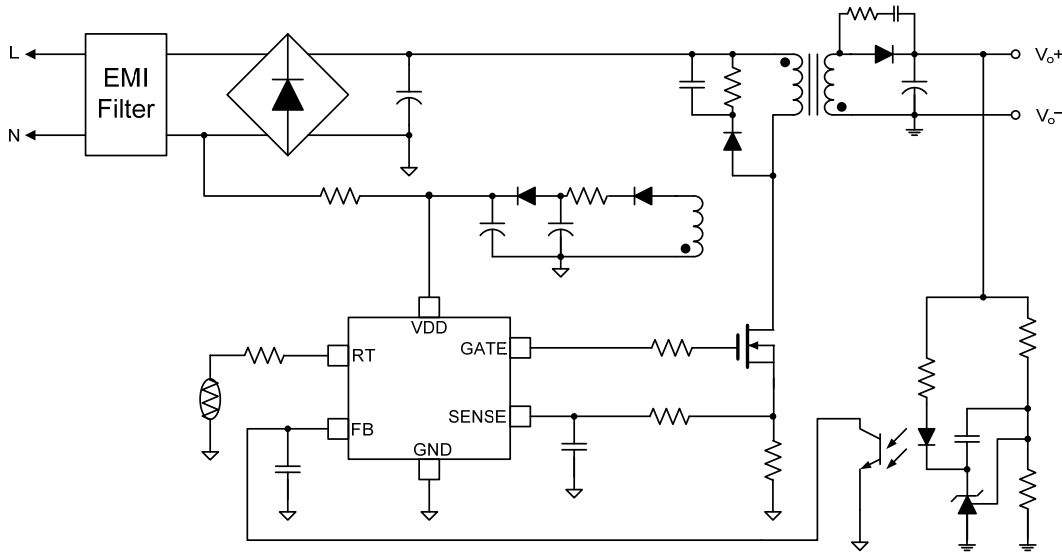


Figure 1. Typical Application

Block Diagram

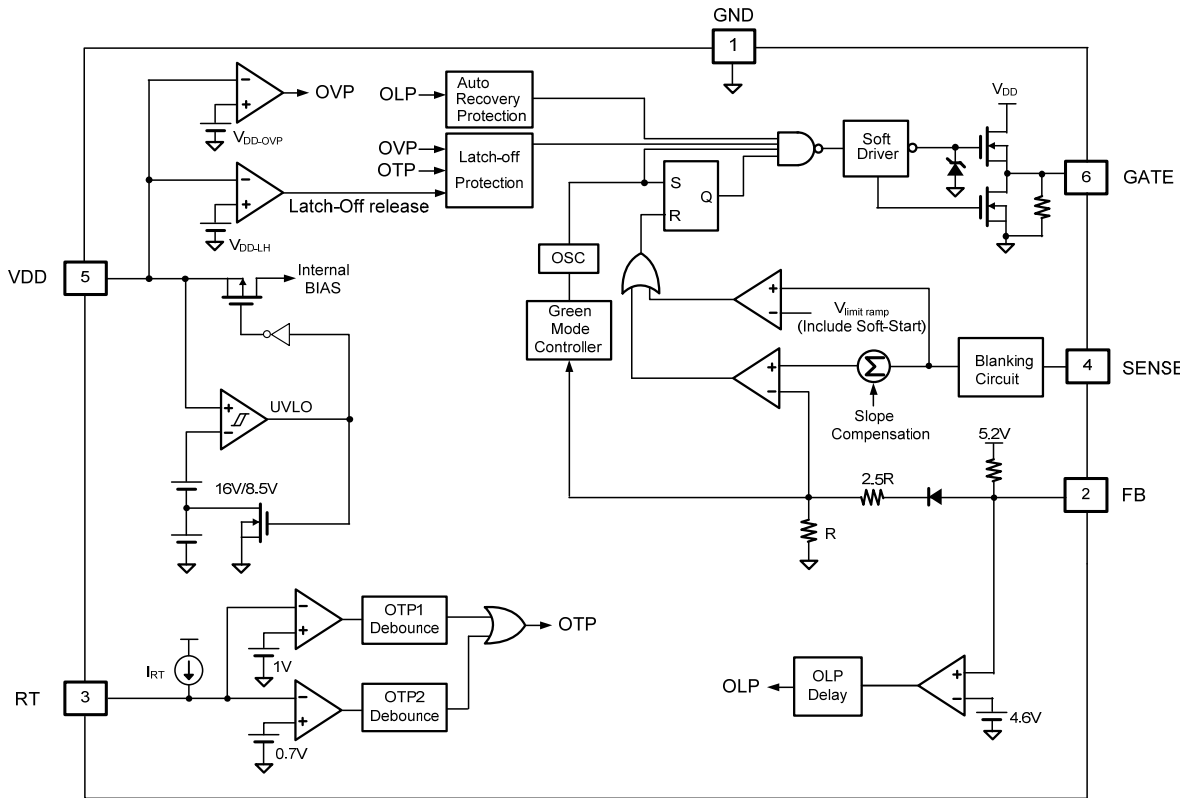


Figure 2. Block Diagram

Marking Information

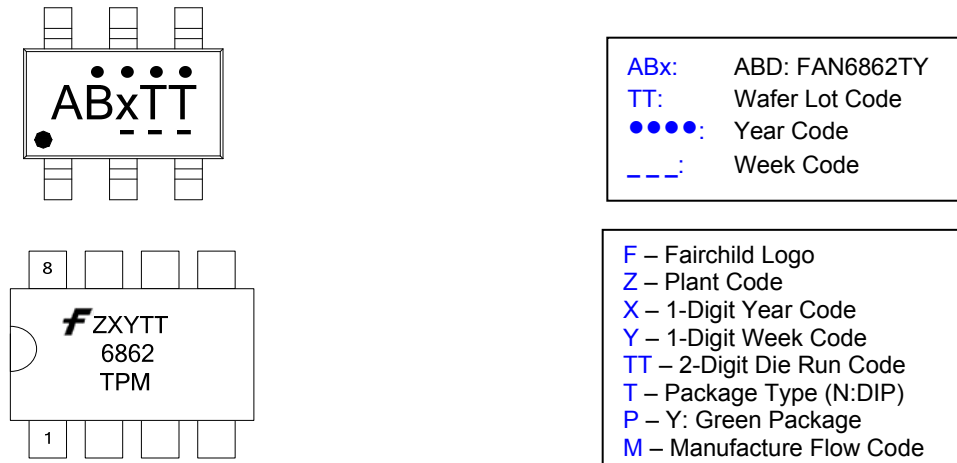


Figure 3. Top Mark

Pin Configuration

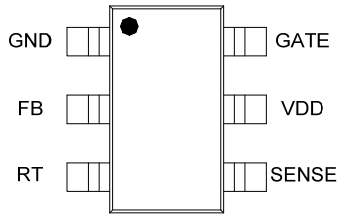


Figure 4. SSOT-6

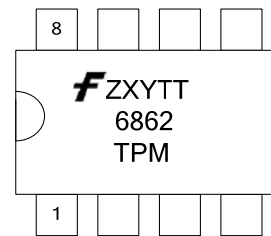


Figure 5. DIP-8

Pin Definitions

| Pin # DIP8 | Pin # SSOT-6 | Name | Description |
|------------|--------------|-------|---|
| 8 | 1 | GND | Ground. |
| 7 | 2 | FB | Feedback. The FB pin provides the output voltage regulation signal. It provides feedback to the internal PWM comparator, so that the PWM comparator can control the duty cycle. This pin also provide for OLP: if V_{FB} is larger than the trigger level and delays for a long time, the controller stops and restarts. |
| 6 | | NC | No Connect Pin |
| 5 | 3 | RT | Temperature Detection. An external NTC thermistor is connected from this pin to GND for over-temperature protection. The impedance of the NTC decreases at high temperatures. Once the voltage of the RT pin drops below a threshold, PWM output is disabled. |
| 4 | 4 | SENSE | Current Sense. This pin senses the voltage across a resistor. When the voltage reaches the internal threshold, PWM output is disabled. This activates over-current protection. This pin also provides current amplitude information for current-mode control. |
| 3 | | NC | No Connect Pin |
| 2 | 5 | VDD | Power Supply. |
| 1 | 6 | GATE | Driver Output. The totem-pole output driver for driving the power MOSFET. |

Absolute Maximum Ratings

Stresses exceeding the absolute maximum ratings may damage the device. The device may not function or be operable above the recommended operating conditions and stressing the parts to these levels is not recommended. In addition, extended exposure to stresses above the recommended operating conditions may affect device reliability. The absolute maximum ratings are stress ratings only. All voltage values, except differential voltages, are given with respect to GND pin.

| Symbol | Parameter | Min. | Max. | Unit |
|------------------|--|--------|------|------|
| V _{DD} | Supply Voltage | | 30 | V |
| V _L | Input Voltage to FB, SENSE, RT Pin | -0.3 | 7.0 | V |
| P _D | Power Dissipation at T _A <50°C | SSOT-6 | 300 | mW |
| | | DIP-8 | 800 | |
| Θ _{JC} | Thermal Resistance (Junction-to-Case) | SSOT-6 | 115 | °C/W |
| | | DIP-8 | 67 | |
| T _J | Operating Junction Temperature | -40 | +150 | °C |
| T _{STG} | Storage Temperature Range | -55 | +150 | °C |
| T _L | Lead Temperature, Wave Soldering, 10 Seconds | | +260 | °C |
| ESD | Human Body Model, JESD22-A114 | | 3.00 | kV |
| | Charge Device Model, JESD22-C101 | | 1.25 | |

Recommended Operating Conditions

The Recommended Operating Conditions table defines the conditions for actual device operation. Recommended operating conditions are specified to ensure optimal performance to the datasheet specifications. Fairchild does not recommend exceeding them or designing to Absolute Maximum Ratings.

| Symbol | Parameter | Min. | Max. | Unit |
|----------------|-------------------------------|------|------|------|
| T _A | Operating Ambient Temperature | -40 | +105 | °C |

Electrical Characteristics

$V_{DD} = 15V$ and $T_A = 25^\circ C$ unless otherwise noted.

| Symbol | Parameter | Test Condition | Min. | Typ. | Max. | Unit | |
|-------------------------------|---|--------------------------------|------------------------|-----------|-----------|------------|-----|
| V_{DD} Section | | | | | | | |
| V_{DD-OP} | Continuously Operating Voltage | | | | 24 | V | |
| V_{DD-ON} | Turn-on Threshold Voltage | | 15 | 16 | 17 | V | |
| V_{DD-OFF} | Turn-off Voltage | | 7.5 | 8.5 | 9.5 | V | |
| V_{DD-LH} | Threshold voltage for Latch-Off release | | 3 | 4 | 5 | V | |
| I_{DD-ST} | Startup Current | $V_{DD-ON} - 0.16V$ | | 8 | 30 | μA | |
| I_{DD-OP} | Normal Operating Supply Current | $C_L = 1nF$ | | 3 | 4 | mA | |
| I_{DD-BM} | Green-Mode Operating Supply Current | GATE open, $V_{FB} = V_{FB-G}$ | | | 2.5 | mA | |
| V_{DD-OVP} | V_{DD} Over-Voltage Protection | | 24 | 25 | 26 | V | |
| $t_{D-VDDOVP}$ | V_{DD} OVP Debounce Time | | | 30 | 50 | μs | |
| I_{DD-LH} | Latch-Off Holding Current | $V_{DD} = 5V$ | | 40 | 65 | μA | |
| Feedback Input Section | | | | | | | |
| A_V | Input-Voltage to Current-Sense Attenuation | | 1/4.0 | 1/3.5 | 1/3.0 | V/V | |
| Z_{FB} | Input Impedance | | | 5.5 | | k Ω | |
| $V_{FB-OPEN}$ | FB Pin Open Voltage | | 5.0 | 5.2 | 5.4 | V | |
| V_{FB-OLP} | Threshold Voltage for Open-Loop Protection | | 4.3 | 4.6 | 4.9 | V | |
| t_{D-OLP} | Open-Loop Protection Delay Time | | 53 | 56 | 60 | ms | |
| Current Sense Section | | | | | | | |
| t_{PD} | Delay to Output | | | 100 | 250 | ns | |
| t_{LEB} | Leading-Edge Blanking Time | | 270 | 360 | | ns | |
| V_{STHFL} | Flat Threshold Voltage for Current Limit | Duty > 51% | 0.47 | 0.50 | 0.53 | V | |
| V_{STHVA} | Valley Threshold Voltage for Current Limit | Duty = 0% | 0.41 | 0.44 | 0.47 | V | |
| V_{SLOPE} | Slope Compensation | Duty = DCY_{MAX} | | 0.273 | | V | |
| $t_{SOFT-START}$ | Period During Startup time | | 2.50 | 4.00 | 5.25 | ms | |
| Oscillator Section | | | | | | | |
| f_{OSC} | Normal PWM Frequency | Center Frequency | $V_{FB} > V_{FB-N}$ | 62 | 65 | 68 | kHz |
| | | Hopping Range | $V_{FB} \geq V_{FB-N}$ | ± 3.7 | ± 4.2 | ± 4.7 | |
| | | Hopping Range ^{*1} | $V_{FB} = V_{FB-G}$ | | ± 2.9 | | |
| t_{hop-1} | Hopping Period 1 ^{*1} | $V_{FB} \geq V_{FB-N}$ | | 4.4 | | ms | |
| t_{hop-3} | Hopping Period 3 ^{*1} | $V_{FB} = V_{FB-G}$ | | 11.5 | | ms | |
| f_{OSC-G} | Green Mode Minimum Frequency | | 18.0 | 22.5 | 25.0 | kHz | |
| V_{FB-N} | FB Threshold Voltage For Frequency Reduction | | 2.0 | 2.2 | 2.4 | V | |
| V_{FB-G} | FB Voltage at f_{OSC-G} | | 1.9 | 2.1 | 2.3 | V | |
| V_{FB-ZDC} | FB Threshold Voltage for Zero Duty | | | 1.7 | | V | |
| f_{DV} | Frequency Variation vs. V_{DD} Deviation | $V_{DD} = 11.5V$ to $20V$ | 0 | 0.02 | 2.00 | % | |
| f_{DT} | Frequency Variation vs. Temperature Deviation | $T_A = -40$ to $+105^\circ C$ | | | 2 | % | |

Continued on the following page...

Electrical Characteristics (Continued)

$V_{DD} = 15V$ and $T_A = 25^\circ C$ unless otherwise noted.

| Symbol | Parameter | Test Condition | Min. | Typ. | Max. | Unit |
|--|---|-------------------------|------|------|------|---------|
| PWM Output Section | | | | | | |
| DCY_{MAX} | Maximum Duty Cycle | | 65 | 70 | 75 | % |
| V_{OL} | Output Voltage Low | $V_{DD}=15V, I_O=50mA$ | | | 1.5 | V |
| V_{OH} | Output Voltage High | $V_{DD}=8V, I_O=50mA$ | 6 | | | V |
| t_R | Rising Time | $C_L=1nF$ | | 150 | 200 | ns |
| t_F | Falling Time | $C_L=1nF$ | | 35 | 80 | ns |
| V_{CLAMP} | Gate Output Clamping Voltage | $V_{DD}=20V$ | 15.0 | 16.5 | 18.0 | V |
| Over-Temperature Protection (OTP) Section | | | | | | |
| I_{RT} | Output Current of RT Pin | | 92 | 100 | 108 | μA |
| V_{OTP} | Threshold Voltage for Over-Temperature Protection | $T_A=25^\circ C$ | 0.95 | 1.00 | 1.05 | V |
| t_{DOTP} | Over-Temperature Debounce Time | $V_{FB}=V_{FB-N}$ | 15 | 17 | 19 | ms |
| | | $V_{FB}=V_{FB-G}^{(1)}$ | | 51 | | |
| V_{OTP2} | 2 nd Threshold Voltage for Over-Temperature Protection | $T_A=25^\circ C$ | 0.60 | 0.70 | 0.75 | V |
| t_{DOTP2} | 2 nd Over-Temperature Debounce Time | | 80 | 100 | 190 | μs |

Note:

1. Guarantee by Design.

Typical Performance Characteristics

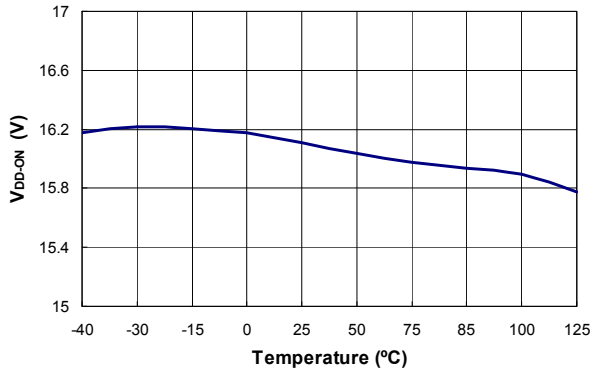


Figure 6. Turn-on Threshold Voltage (V_{DD-ON}) vs. Temperature

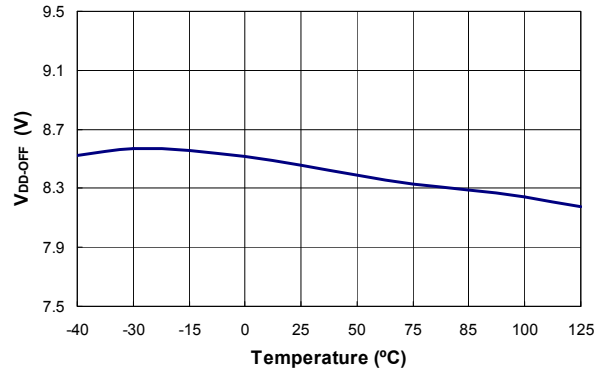


Figure 7. Turn-off Threshold Voltage (V_{DD-OFF}) vs. Temperature

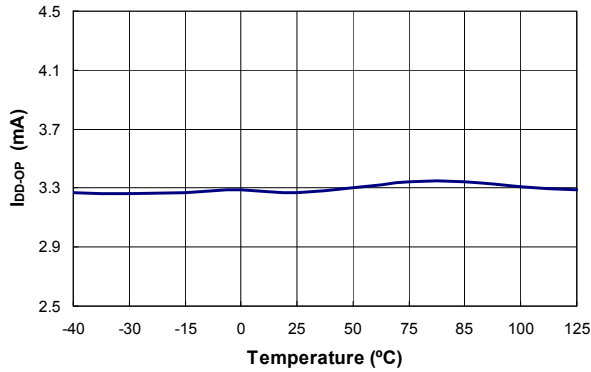


Figure 8. Operating Current (I_{DD-OP}) vs. Temperature

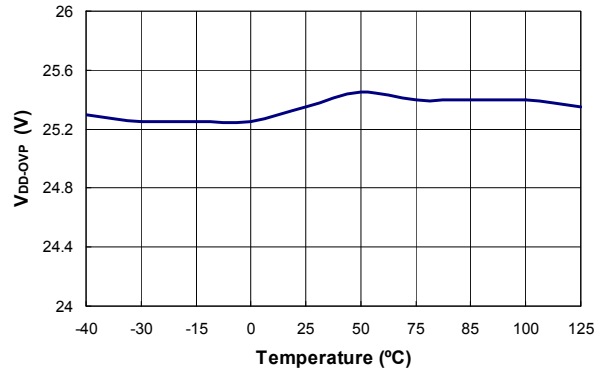


Figure 9. V_{DD} Over-Voltage Protection (V_{DD-OVP}) vs. Temperature

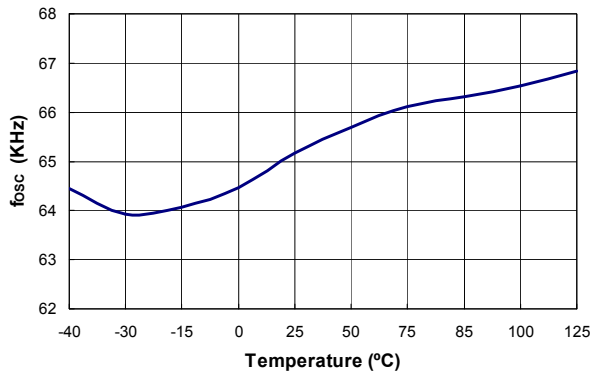


Figure 10. Center Frequency (f_{OSC}) vs. Temperature

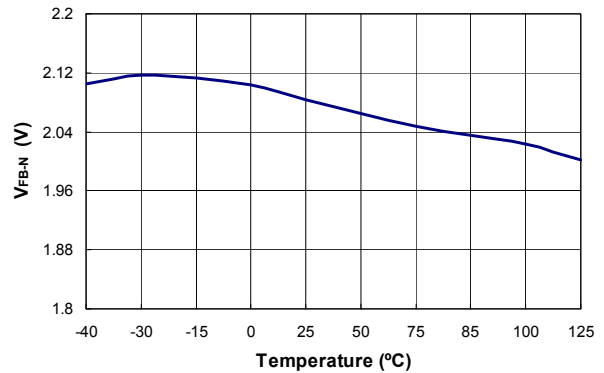


Figure 11. FB Threshold Voltage for Frequency Reduction (V_{FB-N}) vs. Temperature

Typical Performance Characteristics (Continued)

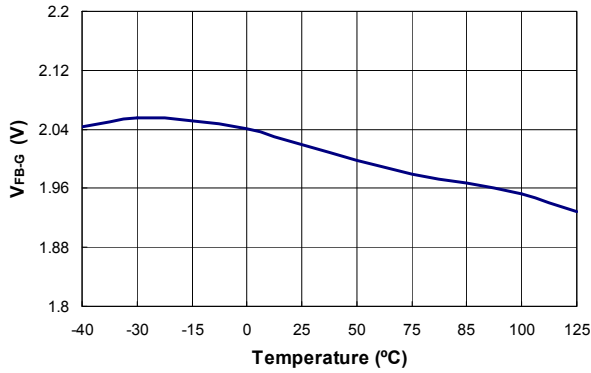


Figure 12. FB Voltage at f_{OSC-G} (V_{FB-G}) vs. Temperature

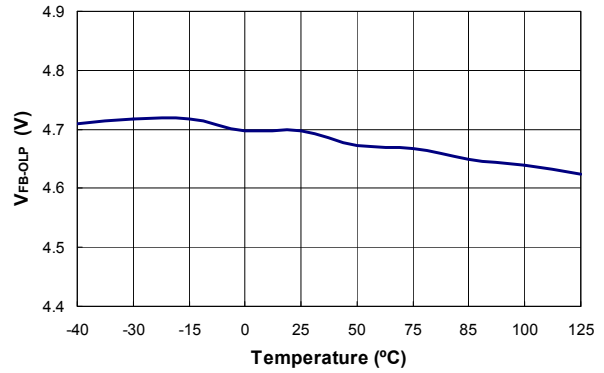


Figure 13. Threshold Voltage for Open-Loop Protection (V_{FB-OLP}) vs. Temperature

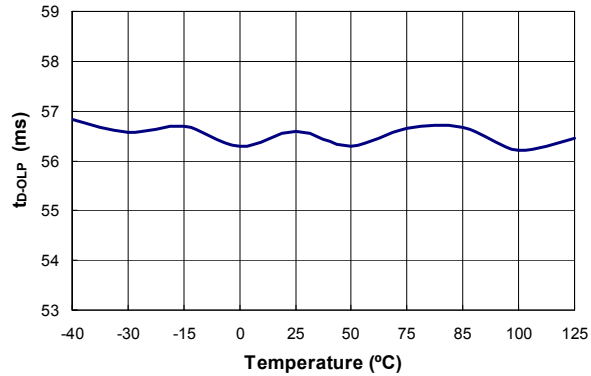


Figure 14. Open-Loop Protection Delay Time (t_{D-OLP}) vs. Temperature

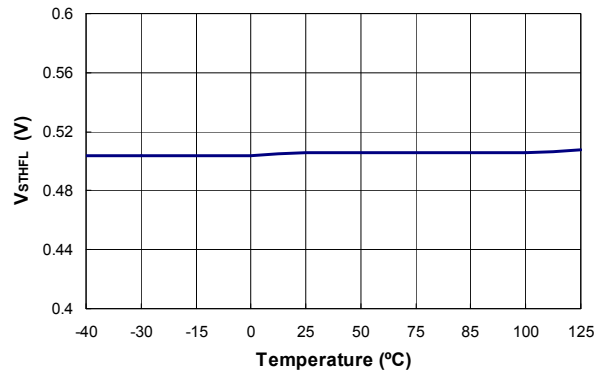


Figure 15. Flat Threshold Voltage for Current Limit (V_{STHFL}) vs. Temperature

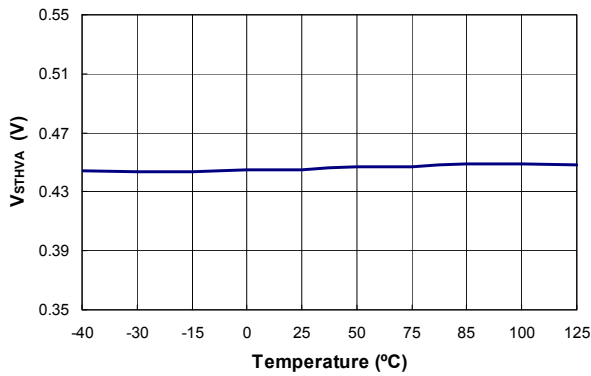


Figure 16. Valley Threshold Voltage for Current Limit (V_{STHVA}) vs. Temperature

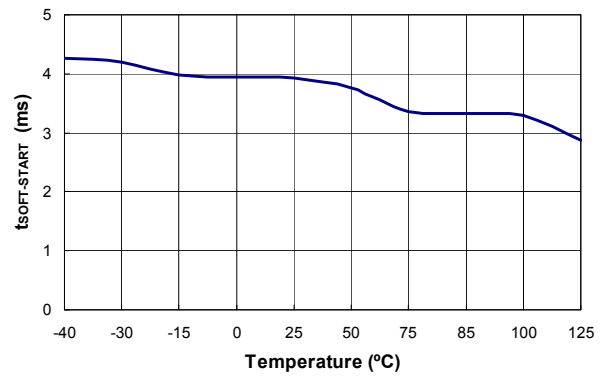


Figure 17. Period during Startup ($t_{SOFT-START}$) vs. Temperature

Typical Performance Characteristics (Continued)

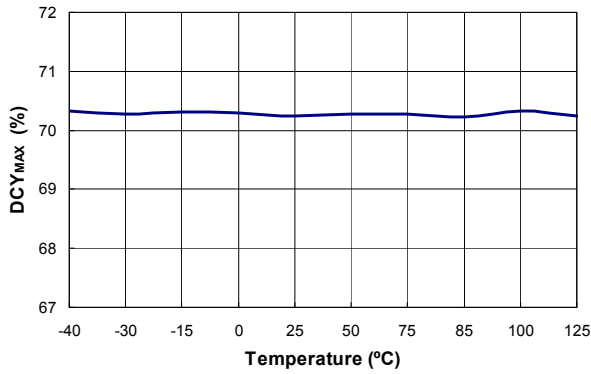


Figure 18. Maximum Duty Cycle (DCY_{MAX}) vs. Temperature

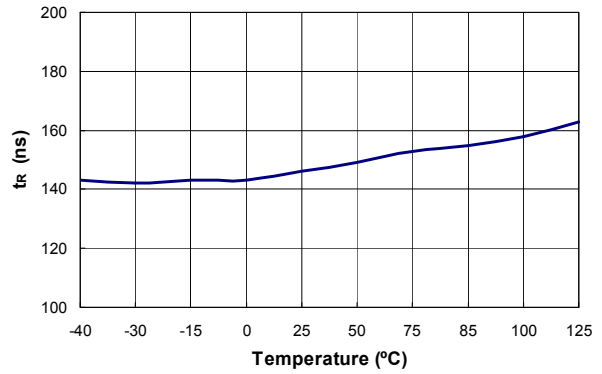


Figure 19. Rising Time (t_R) vs. Temperature

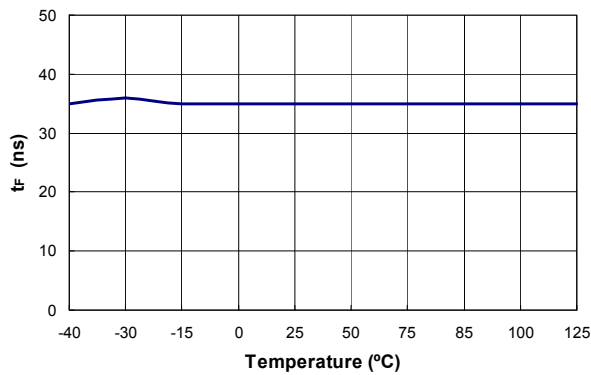


Figure 20. Falling Time (t_F) vs. Temperature

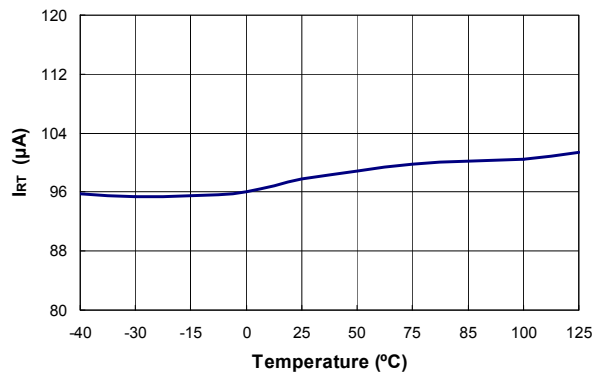


Figure 21. Output Current of RT Pin (I_{RT}) vs. Temperature

Operation Description

Startup Operation

Figure 22 shows a typical startup circuit and transformer auxiliary winding for a FAN6862 application. Before FAN6862 begins switching operation, it consumes only startup current (typically 8 μ A) and the current supplied through the startup resistor charges the V_{DD} capacitor (C_{DD}). When V_{DD} reaches turn-on voltage of 16V (V_{DD-ON}), FAN6862 begins switching and the current consumed increases to 3mA. Then, the power required is supplied from the transformer auxiliary winding. The large hysteresis of V_{DD} (8.5V) provides more holdup time, which allows using a small capacitor for V_{DD} . The startup resistor is typically connected to AC line for a fast reset of latch protection.

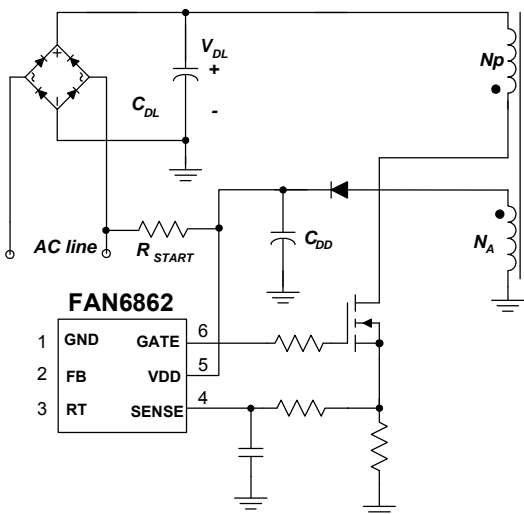


Figure 22. Startup Circuit

Green-Mode Operation

The FAN6862 uses feedback voltage (V_{FB}) as an indicator of the output load and modulates the PWM frequency, as shown in Figure 23, such that the switching frequency decreases as load decreases. In heavy load conditions, the switching frequency is 65kHz. Once V_{FB} decreases below V_{FB-N} (2.2V), the PWM frequency starts to linearly decrease from 65kHz to 22.5kHz to reduce the switching losses. As V_{FB} decreases below V_{FB-G} (2.1V), the switching frequency is fixed at 22.5kHz and FAN6862 enters “deep” green mode, where the operating current decreases to 2.5mA (maximum), further reducing the standby power consumption. As V_{FB} decreases below V_{FB-ZDC} (1.7V), FAN6862 enters burst-mode operation. When V_{FB} drops below V_{FB-ZDC} , FAN6862 stops switching and the output voltage starts to drop, which causes the feedback voltage to rise. Once V_{FB} rises above V_{FB-ZDC} , switching resumes. Burst mode alternately enables and disables switching, thereby reducing switching loss in standby mode, as shown in Figure 24.

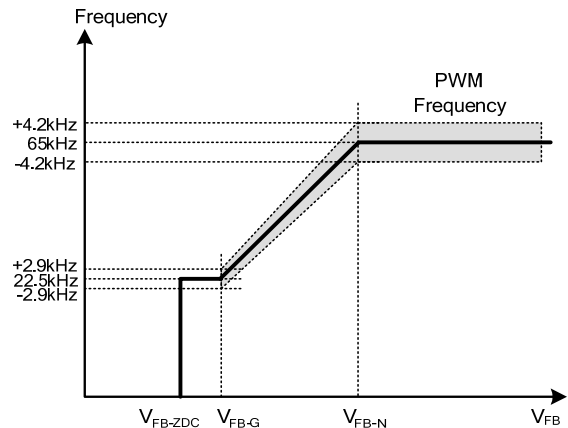


Figure 23. PWM Frequency

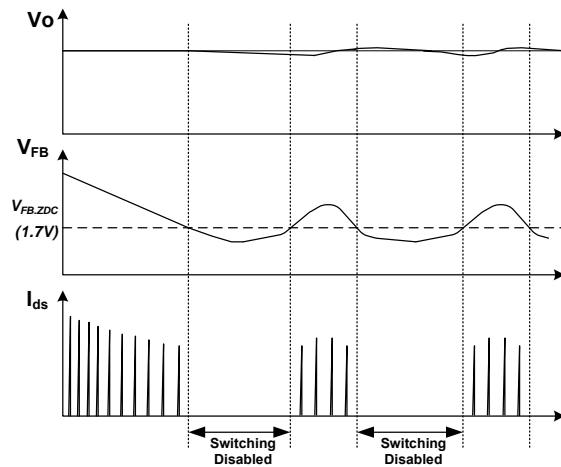


Figure 24. Burst Mode Operation

Frequency Hopping

EMI reduction is accomplished by frequency hopping, which spreads the energy over a wider frequency range than the bandwidth measured by the EMI test equipment. An internal frequency hopping circuit changes the switching frequency between 60.8kHz and 69.2kHz with a period of 4.4ms, as shown in Figure 25.

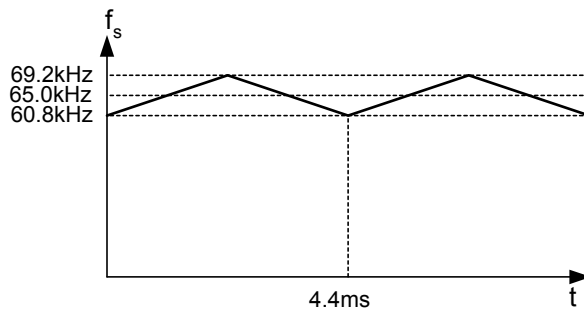


Figure 25. Frequency Hopping

Protections

Self-protective functions include V_{DD} Over-Voltage Protection (OVP), Open-Loop / Overload Protection (OLP), Over-Current Protection (OCP), Short-Circuit Protection, and Over-Temperature Protection (OTP). OLP, OCP, and SCP are auto-restart mode protections; while OVP and OTP are latch-mode protections.

Auto-Restart Mode Protection: Once a fault condition is detected, switching is terminated and the MOSFET remains off. This causes V_{DD} to fall because no more power is delivered from auxiliary winding. When V_{DD} falls to V_{DD-OFF} (8.5V), the protection is reset and the operating current reduces to startup current, which causes V_{DD} to rise. FAN6862 resumes normal operation when V_{DD} reaches V_{DD-ON} (16V). In this manner, the auto-restart can alternately enable and disable the switching of the MOSFET until the fault condition is eliminated (see Figure 26).

Latch-Mode Protection: Once this protection is triggered, switching is terminated and the MOSFET remains off. The latch is reset only when V_{DD} is discharged below 4V by unplugging AC power line.

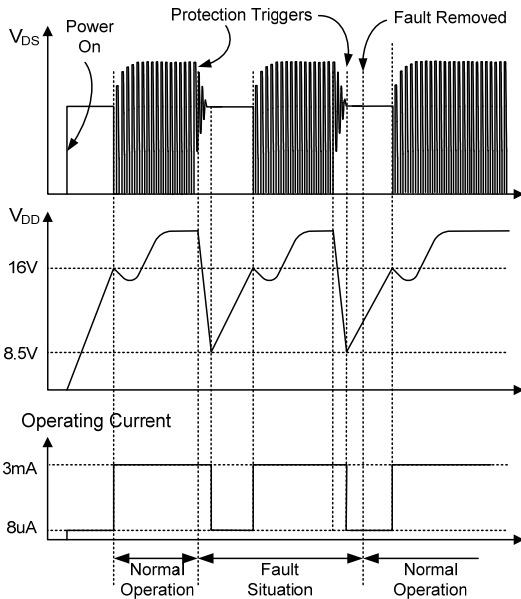


Figure 26. Auto Restart Operation

Over-Current Protection (OCP)

FAN6862 has over-current protection thresholds. It is for pulse-by-pulse current limit, which turns off MOSFET for the remainder of the switching cycle when the sensing voltage of MOSFET drain current reaches the threshold. The other threshold is for the over-current protection, which shuts down the MOSFET gate when the sensing voltage of MOSFET drain current is above the threshold longer than the shutdown delay (56ms).

Open-Loop / Over-Load Protection (OLP)

When the upper branch of the voltage divider for the shunt regulator (KA431 shown) is broken, as shown in Figure 27, no current flows through the opto-coupler transistor, which pulls up the feedback voltage to 5.2V.

When the feedback voltage is above 4.6V longer than 56ms, OLP is triggered. This protection is also triggered when the SMPS output drops below the nominal value longer than 56ms due to the overload condition.

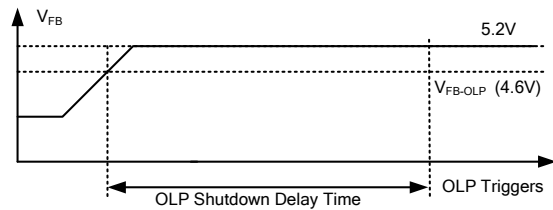
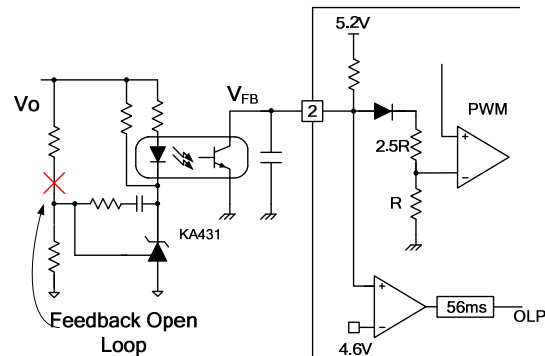


Figure 27. OLP Operation

V_{DD} Over-Voltage Protection (OVP)

V_{DD} over-voltage protection prevents IC damage caused by over voltage on the V_{DD} pin. The OVP is triggered when V_{DD} reaches 25V. A debounce time (typically 30 μ s) prevents false triggering by switching noise.

Over-Temperature Protection (OTP)

The OTP circuit is composed of current source and voltage comparators. Typically, an NTC thermistor is connected between the RT and GND pins. Once the voltage of this pin drops below a threshold of 1.0V, PWM output is disabled after t_{DOTP} debounce time. If this pin drops below 0.7V, it triggers the latch-off protection immediately after t_{DOTP2} debounce time.

Constant Output Power Limit

FAN6862 has saw-limiter for pulse-by-pulse current limit, which guarantees almost constant power limit over different line voltages of universal input range.

The conventional pulse-by-pulse current limiting scheme has a constant threshold for current limit comparator, which results in a higher power limit for high line voltage. FAN6862 has a sawtooth current limit threshold that increases progressively within a switching cycle, which provides lower current limit for high line and makes the actual power limit level almost constant over different line voltages of universal input range, as shown in Figure 28.

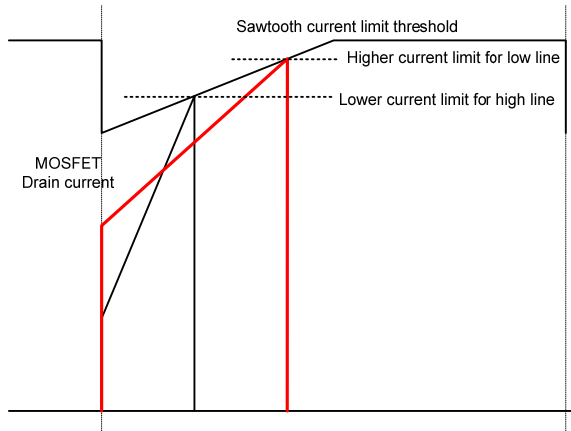


Figure 28. Sawtooth Current Limiter

Leading-Edge Blanking (LEB)

Each time the power MOSFET is switched on, a turn-on spike occurs across the sense-resistor caused by primary-side capacitance and secondary-side rectifier reverse recovery. To avoid premature termination of the switching pulse, a leading-edge blanking time is built in. During this blanking period (360ns), the PWM comparator is disabled and cannot switch off the gate driver. Thus, RC filter with a small RC time constant is enough for current sensing.

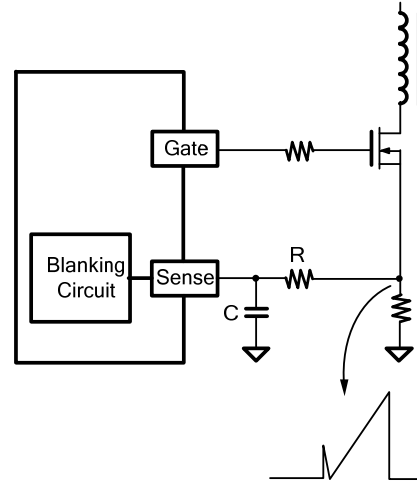


Figure 29. Current Sense R-C Filter

Soft-Start

The FAN6862 has an internal soft-start circuit that increases pulse-by-pulse current-limit comparator inverting input voltage slowly after it starts. The typical soft-start time is 4ms. The pulsewidth to the power MOSFET is progressively increased to establish the correct working conditions for transformers, rectifier diodes, and capacitors. The voltage on the output capacitors is progressively increased with the intention of smoothly establishing the required output voltage. It also helps prevent transformer saturation and reduces the stress on the secondary diode during startup.

Applications Information

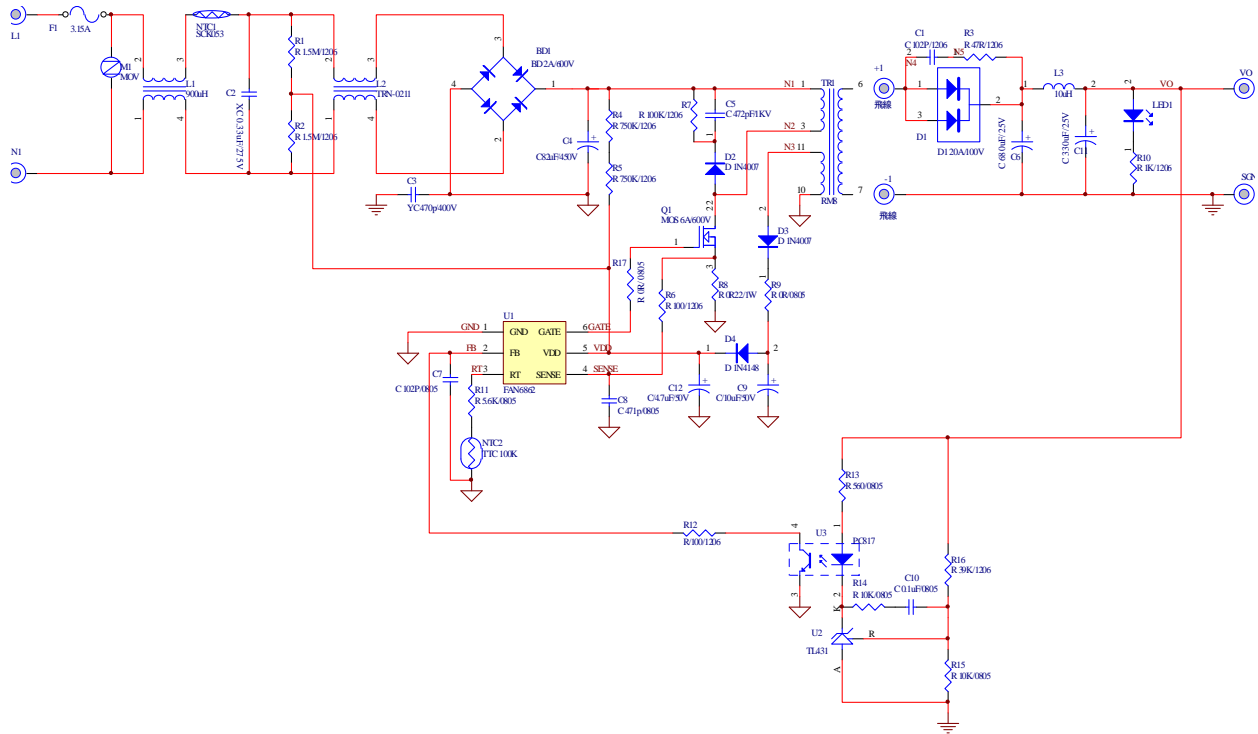


Figure 30. 36W (12V/3A) Application Circuit

BOM

| Designator | Part Type | Designator | Part Type |
|------------|--------------------------|------------|------------------|
| BD1 | 2KBP06M 2A/600V | C8 | CC 470pF/50V |
| D1 | Y2010DN 20A/100V | C9 | EC 10µF/50V |
| D2, D3 | 1N4007 | C10 | CC 0.1µF/50V |
| D4 | 1N4148 | C12 | EC 4.7µF/50V |
| F1 | Fuse 3.15A/250V | R1, R2 | R 1.5MΩ (option) |
| NTC1 | NTC Thermistor SCK053 | R3 | R 47Ω |
| NTC2 | NTC Thermistor TTC 100KΩ | R4, R5 | R 750KΩ (option) |
| L1 | 900µH | R6, R12 | R 100Ω |
| L2 | 10mH | R7 | R 100KΩ |
| L3 | 10µH | R8 | R 0.22Ω / 1W |
| TR1 | RM-8 400µH | R9 | R 0Ω |
| M1 | VZ 9G | R10 | R 1KΩ |
| LED1 | LED | R11 | R 5.6KΩ |
| C1 | CC 1nF | R13 | R 560Ω |
| C2 | XC 0.33µF/275V | R14, R15 | R 10KΩ |
| C3 | YC 470pF/400V | R16 | R 39KΩ |
| C4 | EC 82µF/400V | U1 | IC FAN6862 |
| C5 | CC 4.7nF/1KV | U2 | TL431 |
| C6, C11 | EC 680µF/25V | U3 | PC-817 |
| C7 | CC 1nF | Q1 | MOSFET 6A/600V |

Physical Dimensions

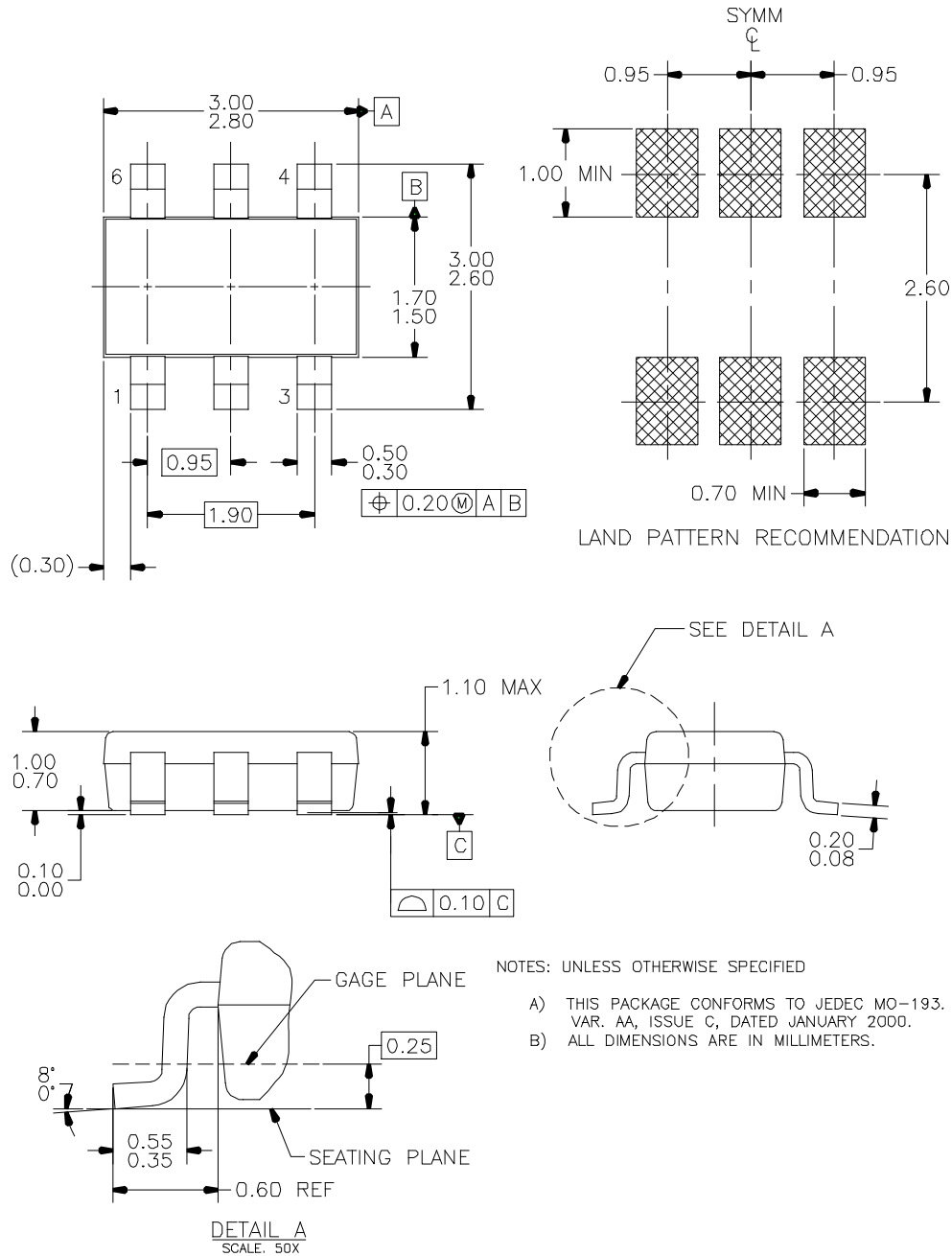


Figure 31. 6-Pin, SUPERSOT6 “SSOT-6”, JEDEC MO-193, 1.6mm Wide Package

Package drawings are provided as a service to customers considering Fairchild components. Drawings may change in any manner without notice. Please note the revision and/or date on the drawing and contact a Fairchild Semiconductor representative to verify or obtain the most recent revision. Package specifications do not expand the terms of Fairchild's worldwide terms and conditions, specifically the warranty therein, which covers Fairchild products.

ON Semiconductor and  are trademarks of Semiconductor Components Industries, LLC dba ON Semiconductor or its subsidiaries in the United States and/or other countries. ON Semiconductor owns the rights to a number of patents, trademarks, copyrights, trade secrets, and other intellectual property. A listing of ON Semiconductor's product/patent coverage may be accessed at www.onsemi.com/site/pdf/Patent-Marking.pdf. ON Semiconductor reserves the right to make changes without further notice to any products herein. ON Semiconductor makes no warranty, representation or guarantee regarding the suitability of its products for any particular purpose, nor does ON Semiconductor assume any liability arising out of the application or use of any product or circuit, and specifically disclaims any and all liability, including without limitation special, consequential or incidental damages. Buyer is responsible for its products and applications using ON Semiconductor products, including compliance with all laws, regulations and safety requirements or standards, regardless of any support or applications information provided by ON Semiconductor. "Typical" parameters which may be provided in ON Semiconductor data sheets and/or specifications can and do vary in different applications and actual performance may vary over time. All operating parameters, including "Typicals" must be validated for each customer application by customer's technical experts. ON Semiconductor does not convey any license under its patent rights nor the rights of others. ON Semiconductor products are not designed, intended, or authorized for use as a critical component in life support systems or any FDA Class 3 medical devices or medical devices with a same or similar classification in a foreign jurisdiction or any devices intended for implantation in the human body. Should Buyer purchase or use ON Semiconductor products for any such unintended or unauthorized application, Buyer shall indemnify and hold ON Semiconductor and its officers, employees, subsidiaries, affiliates, and distributors harmless against all claims, costs, damages, and expenses, and reasonable attorney fees arising out of, directly or indirectly, any claim of personal injury or death associated with such unintended or unauthorized use, even if such claim alleges that ON Semiconductor was negligent regarding the design or manufacture of the part. ON Semiconductor is an Equal Opportunity/Affirmative Action Employer. This literature is subject to all applicable copyright laws and is not for resale in any manner.

PUBLICATION ORDERING INFORMATION

LITERATURE FULFILLMENT:

Email Requests to: orderlit@onsemi.com

ON Semiconductor Website: www.onsemi.com

TECHNICAL SUPPORT

North American Technical Support:
Voice Mail: 1 800-282-9855 Toll Free USA/Canada
Phone: 011 421 33 790 2910

Europe, Middle East and Africa Technical Support:

Phone: 00421 33 790 2910

For additional information, please contact your local Sales Representative