

# FAN7710

## Ballast Control IC for Compact Fluorescent Lamps

### Features

- Integrated Half-Bridge MOSFET
- Floating Channel for Bootstrap Operation up to +550V
- Low Start-up and Operating Current: 120 $\mu$ A, 2.6mA
- Under-Voltage Lockout with 1.8V of Hysteresis
- Adjustable Run Frequency and Preheat Time
- Internal Active ZVS Control
- Internal Protection Function (No Lamp)
- Internal Clamping Zener Diode
- High Accuracy Oscillator
- Soft-Start Functionality

### Applications

- Compact Fluorescent Lamp Ballast

### Description

The FAN7710, developed using Fairchild's unique high-voltage process and system-in-package (SiP) concept, is a ballast control integrated circuit (IC) for a compact fluorescent lamp (CFL). The FAN7710 controls internal high-voltage stress and delivers 20W to the lamp at 310V<sub>DC</sub> voltage. FAN7710 incorporates a preheating / ignition function, controlled by a user-selected external capacitor, to increase lamp life. The FAN7710 detects switch operation from after ignition-mode through an internal active Zero-Voltage Switching (ZVS) control circuit. This control scheme enables the FAN7710 to detect an open-lamp condition, without the expense of external circuitry, and prevents stress on MOSFETs. The high-side driver built into the FAN7710 has a common-mode noise cancellation circuit that provides robust operation against high-dv/dt noise intrusion.

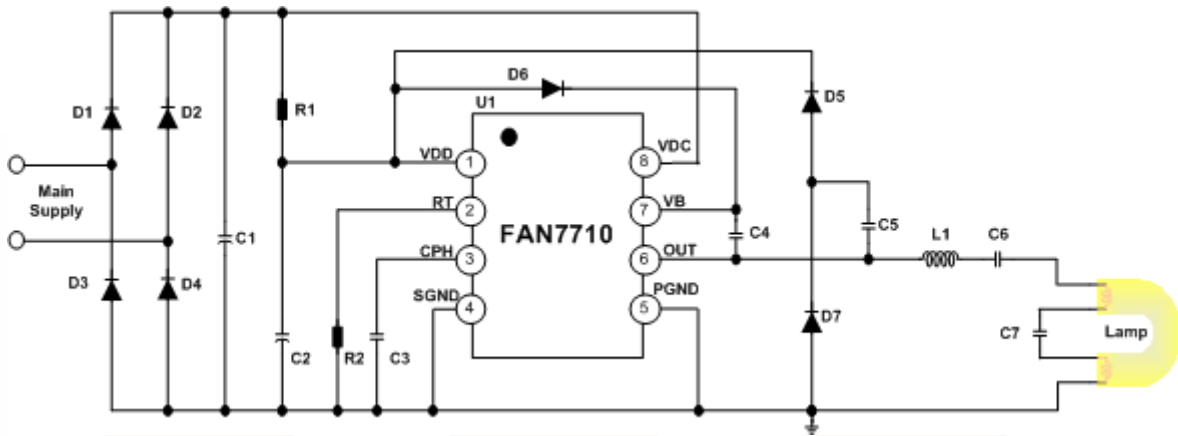
8-DIP



### Ordering Information

Part Number	Package	Pb-Free	Operating Temperature Range	Packing Method
FAN7710N	8-DIP	Yes	-25°C ~ 125°C	Tube

### Typical Application Diagrams



\* Refer to the BOM and design guide provided on page 16.

Figure 1. Typical Application Circuit for Compact Fluorescent Lamp

### Internal Block Diagram

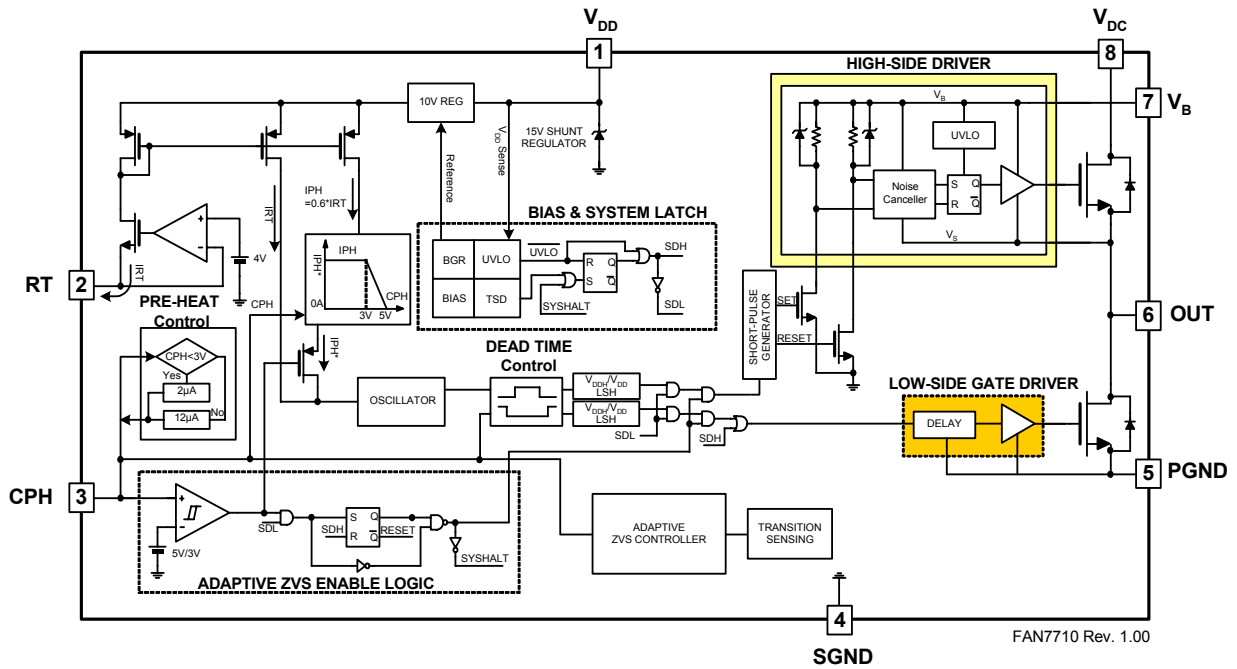


Figure 2. Functional Block Diagram

## Pin Configuration

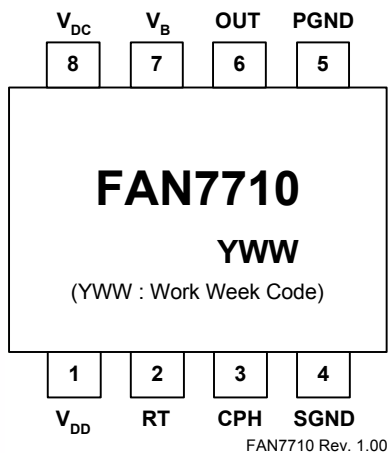


Figure 3. Pin Configuration (Top View)

## Pin Definitions

Pin #	Name	Description
1	V <sub>DD</sub>	Supply voltage
2	RT	Oscillator frequency set resistor
3	CPH	Preheating time set capacitor
4	SGND	Signal ground
5	PGND	Power ground
6	OUT	High-side floating supply return
7	V <sub>B</sub>	High-side floating supply
8	V <sub>DC</sub>	High-voltage supply

## Absolute Maximum Ratings

Stresses exceeding the absolute maximum ratings may damage the device. The device may not function or be operable above the recommended operating conditions and stressing the parts to these levels is not recommended. In addition, extended exposure to stresses above the recommended operating conditions may affect device reliability.

The absolute maximum ratings are stress ratings only.  $T_A=25^{\circ}\text{C}$  unless otherwise specified.

Symbol	Parameter	Min.	Typ.	Max.	Unit
$V_B$	High-side floating supply	-0.3		575	V
$V_{OUT}$	High-side floating supply return	-0.3		550	V
$V_{IN}$	RT, CPH pins input voltage	-0.3		8	V
$I_{CL}$	Clamping current level			25	mA
$dV_{OUT}/dt$	Allowable offset voltage slew rate		50		V/ns
$T_A$	Operating temperature range	-25		125	$^{\circ}\text{C}$
$T_{STG}$	Storage temperature range	-65		150	$^{\circ}\text{C}$
$P_D$	Power dissipation		2.1		W
$\theta_{JA}$	Thermal resistance (junction-to-air)		70		$^{\circ}\text{C}/\text{W}$

### Note:

1. Do not supply a low-impedance voltage source to the internal clamping Zener diode between the GND and the  $V_{DD}$  pin of this device.

tm

## Electrical Characteristics

$V_{BIAS} (V_{DD}, V_B - V_{out}) = 14.0V$ ,  $T_A = 25^\circ C$ , unless otherwise specified.

Symbol	Parameter	Condition	Min.	Typ.	Max.	Unit
<b>High-Voltage Supply Section</b>						
$V_{DC}$	High-voltage supply voltage		550			V
<b>Low-Side Supply Section (<math>V_{DD}</math>)</b>						
$V_{DDTH(ST+)}$	$V_{DD}$ UVLO positive going threshold	$V_{DD}$ increasing	12.4	13.4	14.4	V
$V_{DDTH(ST-)}$	$V_{DD}$ UVLO negative going threshold	$V_{DD}$ decreasing	10.8	11.6	12.4	
$V_{DDHY(ST)}$	$V_{DD}$ -side UVLO hysteresis			1.8		
$V_{CL}$	Supply clamping voltage	$I_{DD} = 20mA$	14.8	15.2		
$I_{ST}$	Start-up supply current	$V_{DD} = 10V$		120		$\mu A$
$I_{DD}$	Dynamic operating supply current	Running freq, $C_L = 1nF$		2.6		mA
<b>High-Side Supply Section (<math>V_B - V_{OUT}</math>)</b>						
$V_{HSTH(ST+)}$	High-side UVLO positive going threshold	$V_B - V_{OUT}$ increasing	8.5	9.2	10.0	V
$V_{HSTH(ST-)}$	High-side UVLO negative going threshold	$V_B - V_{OUT}$ decreasing	7.9	8.6	9.5	
$V_{HSHY(ST)}$	High-side UVLO hysteresis			0.6		
$I_{HST}$	High-side quiescent supply current	$V_B - V_{OUT} = 14V$		50		$\mu A$
$I_{HD}$	High-side dynamic operating supply current	Running freq, $C_L = 1nF$		250		
<b>Oscillator Section</b>						
$V_{MPH}$	CPH pin preheating voltage range		2.5	3.0	3.5	V
$I_{PH}$	CPH pin charging current during preheating	$V_{CPH} = 1V$	1.25	2.00	2.85	$\mu A$
$I_{IG}$	CPH pin charging current during ignition	$V_{CPH} = 4V$	8	12	16	
$V_{MO}$	CPH pin voltage level at running mode			7.0		V
$f_{PRE}$	Preheating frequency	$R_T = 80k\Omega$ , $V_{CPH} = 2V$	72	85	98	kHz
$f_{OSC}$	Running frequency	$R_T = 80k\Omega$	48.7	53.0	57.3	kHz
$DT_{MAX}$	Maximum dead time	$V_{CPH} = 1V$ , $V_{OUT} = GND$ during preheat mode		3.1		$\mu s$
$DT_{MIN}$	Minimum dead time	$V_{CPH} = 6V$ , $V_{OUT} = GND$ during run mode		1.0		$\mu s$
<b>Protection Section</b>						
$V_{CPHSD}$	Shutdown voltage	$V_{RT} = 0$ after run mode	2.6			V
$I_{SD}$	Shutdown current		250	450	$\mu A$	
TSD	Thermal shutdown <sup>(2)</sup>		165			$^\circ C$
<b>MOSFET Section</b>						
$I_{LK MOS}$	MOSFET leakage current	$V_{DS} = 500V$			10	$\mu A$
$R_{ON}$	On resistance (dynamic)	$V_{GS} = 12V$ , $I_D = 100mA$		6.2		$\Omega$
		$V_{GS} = 12V$ , $I_D = 500mA$		6.5		
$I_{SAT}$	Saturation current <sup>(2)</sup>	$V_{GS} = 12V$ , $V_{DS} = 30V$	800			mA

### Note:

2. This parameter, although guaranteed, is not 100% tested in production.

Typical Characteristics

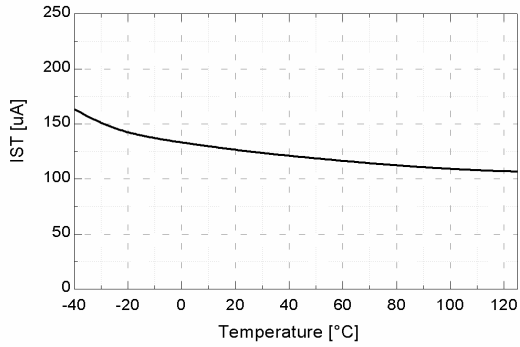


Figure 4. Start-up Current vs. Temp.

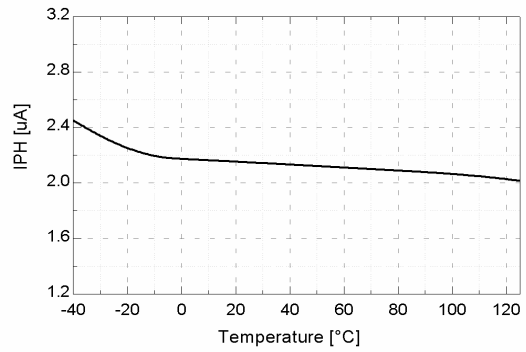


Figure 5. Preheating Current vs. Temp.

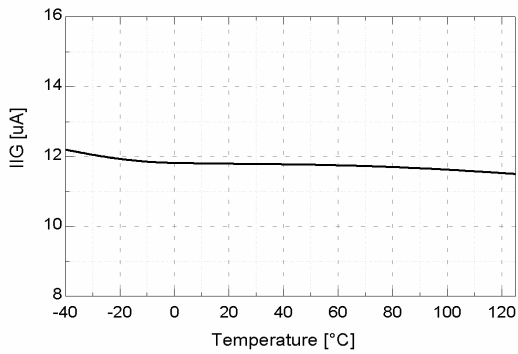


Figure 6. Ignition Current vs. Temp.

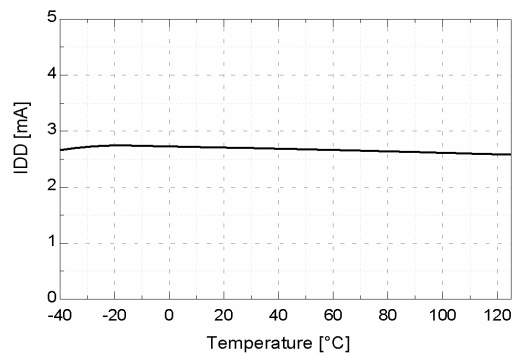


Figure 7. Operating Current vs. Temp.

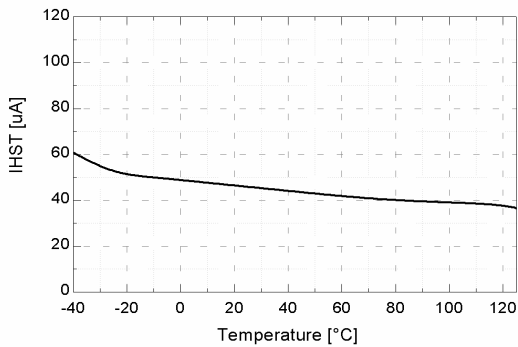


Figure 8. High-Side Quiescent Current vs. Temp.

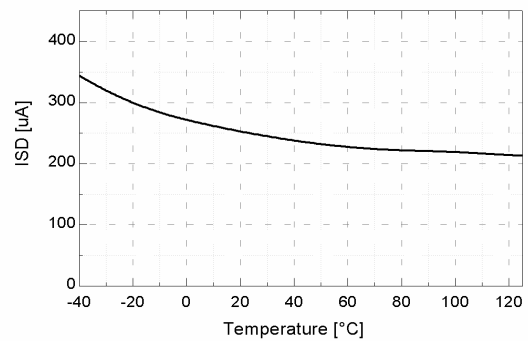


Figure 9. Shutdown Current vs. Temp.

Typical Characteristics (Continued)

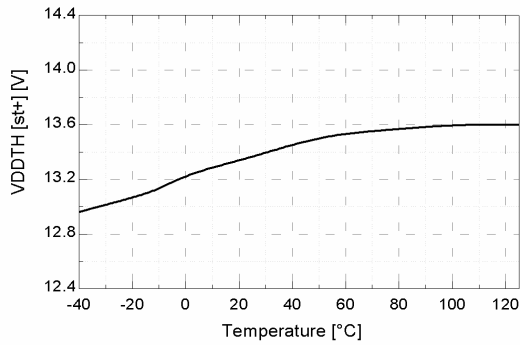


Figure 10. V<sub>DD</sub> UVLO+ vs. Temp.

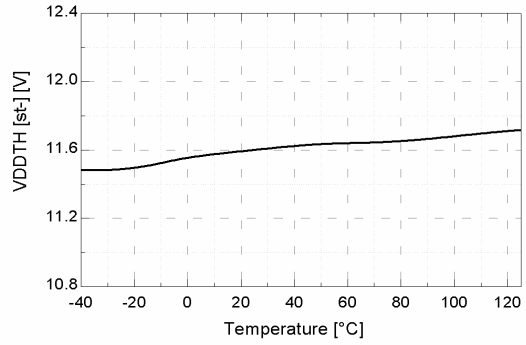


Figure 11. V<sub>DD</sub> UVLO- vs. Temp.

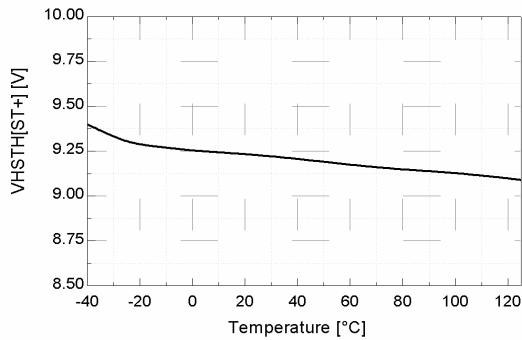


Figure 12. V<sub>HS</sub> UVLO+ vs. Temp.

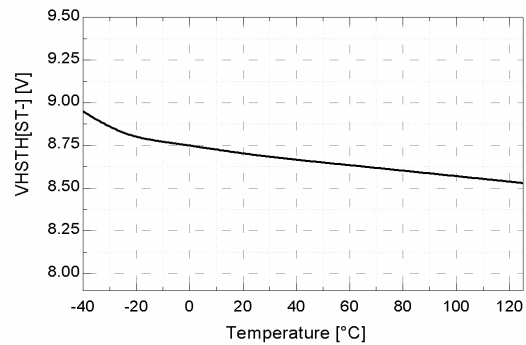


Figure 13. V<sub>HS</sub> UVLO- vs. Temp.

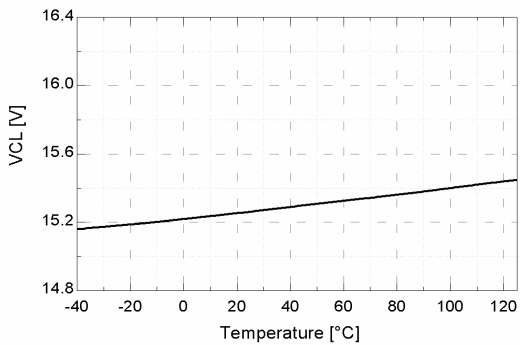


Figure 14. V<sub>DD</sub> Clamp Voltage vs. Temp.

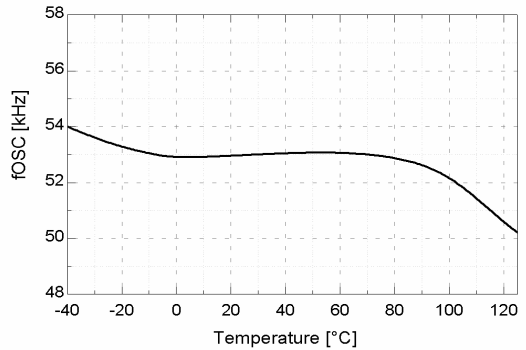


Figure 15. Running Frequency vs. Temp.

Typical Characteristics (Continued)

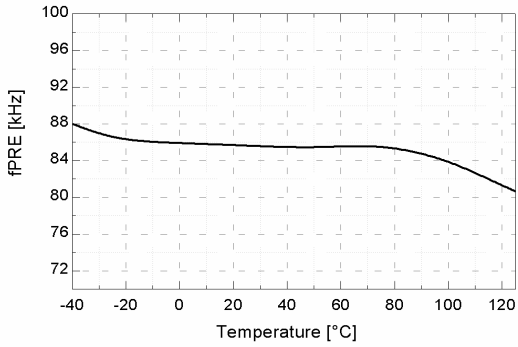


Figure 16. Preheating Frequency vs. Temp.

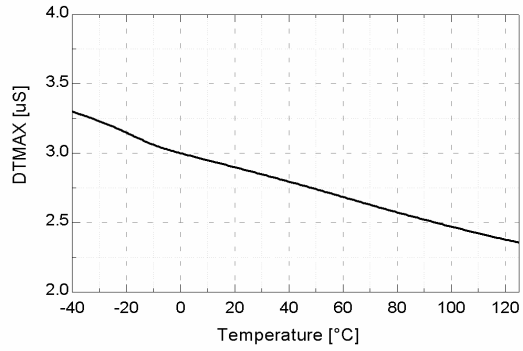


Figure 17. Maximum Dead Time vs. Temp.

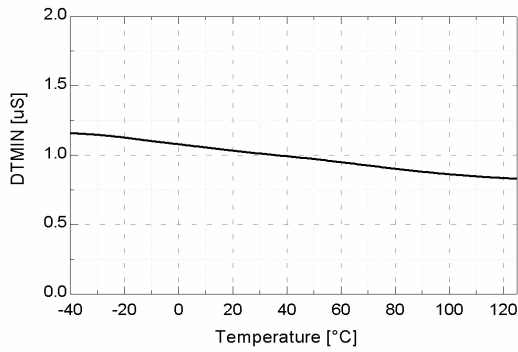


Figure 18. Minimum Dead Time vs. Temp.

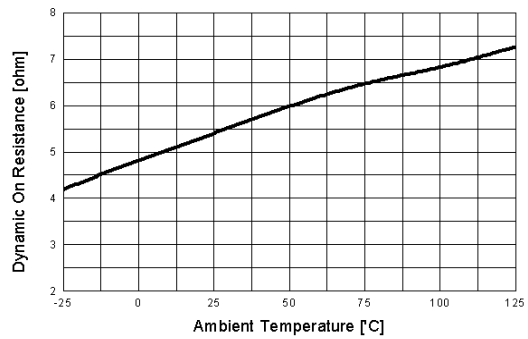


Figure 19. Internal MOSFET Turn-on Resistance vs. Temp.





## Typical Application Information

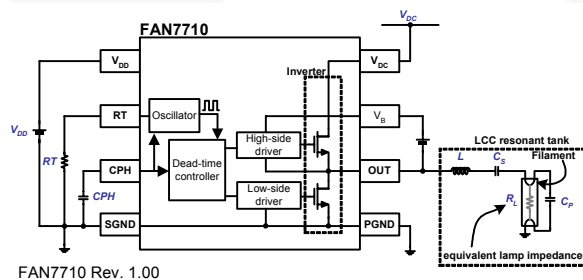
### 1. Under-Voltage Lockout (UVLO) Function

The FAN7710 has UVLO circuits for both high-side and low-side circuits. When  $V_{DD}$  reaches  $V_{DDTH(ST+)}$ , UVLO is released and the FAN7710 operates normally. At UVLO condition, FAN7710 consumes little current, noted as  $I_{ST}$ . Once UVLO is released, FAN7710 operates normally until  $V_{DD}$  goes below  $V_{DDTH(ST-)}$ , the UVLO hysteresis. At UVLO condition, all latches that determine the status of the IC are reset. When the IC is in the shutdown mode, the IC can restart by lowering  $V_{DD}$  voltage below  $V_{DDTH(ST-)}$ .

FAN7710 has a high-side gate driver circuit. The supply for the high-side driver is applied between  $V_B$  and  $V_{OUT}$ . To protect from malfunction of the driver at low supply voltage between  $V_B$  and  $V_{OUT}$ , FAN7710 provides an additional UVLO circuit between the supply rails. If  $V_B - V_{OUT}$  is under  $V_{HSTH(ST+)}$ , the driver holds low state to turn off the high-side switch, as shown in Figure 20. As long as  $V_B - V_{OUT}$  is higher than  $V_{HSTH(ST-)}$  after  $V_B - V_{OUT}$  exceeds  $V_{HSTH(ST+)}$ , operation of the driver continues.

### 2. Oscillator

The ballast circuit for a fluorescent lamp is based on the LCC resonant tank and a half-bridge inverter circuit, as shown in Figure 20. To accomplish Zero-Voltage Switching (ZVS) of the half-bridge inverter circuit, the LCC is driven at a higher frequency than its resonant frequency, which is determined by  $L$ ,  $C_S$ ,  $C_P$ , and  $R_L$ ; where  $R_L$  is the equivalent lamp's impedance.



**Figure 20. Resonant Inverter Circuit Based on LCC Resonant Tank**

The transfer function of LCC resonant tank is heavily dependent on the lamp impedance,  $R_L$ , as illustrated in Figure 20. The oscillator in FAN7710 generates effective driving frequencies to assist lamp ignition and improve lamp life longevity. Accordingly, the oscillation frequency is changed in the following sequence:

*Preheating freq. → Ignition freq. → Normal running freq.*

Before the lamp is ignited, the lamp impedance is very high. Once the lamp is turned on, the lamp impedance significantly decreases. Since the resonant peak is very high due to the high-resistance of the lamp at the instant of turning on the lamp, the lamp must be driven at higher frequency than the resonant frequency, shown as (A) in Figure 21. In this mode, the current supplied by the inverter mainly flows through  $C_P$ .  $C_P$  connects both filaments and makes the current path to ground. As a result, the current warms up the filament for easy ignition. The amount of the current can be adjusted by controlling the oscillation frequency or changing the capacitance of  $C_P$ . The driving frequency,  $f_{PRE}$ , is called preheating frequency and is derived by:

$$f_{PRE} = 1.6 \times f_{OSC} \quad (EQ 1)$$

After the warm-up, the FAN7710 decreases the frequency, shown as (B) of Figure 21. This action increases the voltage of the lamp and helps the fluorescent lamp ignite. The ignition frequency is described as a function of CPH voltage, as follows:

$$f_{IG} = [0.3 \times (5 - V_{CPH}) + 1] \times f_{OSC} \quad (EQ 2)$$

where  $V_{CPH}$  is the voltage of CPH capacitor.

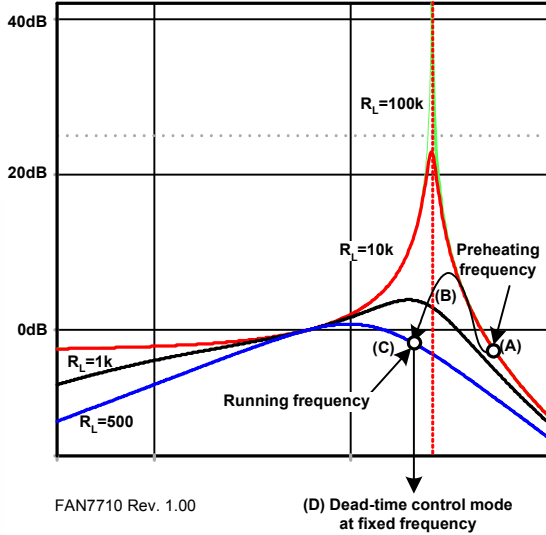
Equation 2 is valid only when  $V_{CPH}$  is between 3V and 5V before FAN7710 enters running mode. Once  $V_{CPH}$  reaches 5V, the internal latch records the exit from ignition mode. Unless  $V_{DD}$  is below  $V_{DDTH(ST-)}$ , the preheating and ignition modes appear only once during lamp start transition.

Finally, the lamp is driven at a fixed frequency by an external resistor,  $R_T$ , shown as (C) in Figure 21. If  $V_{DD}$  is higher than  $V_{DDTH(ST+)}$  and UVLO is released, the voltage of the  $R_T$  pin is regulated to 4V. This voltage adjusts the oscillator's control current according to the resistance of  $R_T$ . Because this current and an internal capacitor set the oscillation frequency, the FAN7710 does not need any external capacitors.

The proposed oscillation characteristic is given by:

$$f_{OSC} = \frac{4 \times 10^9}{RT} \quad (EQ 3)$$

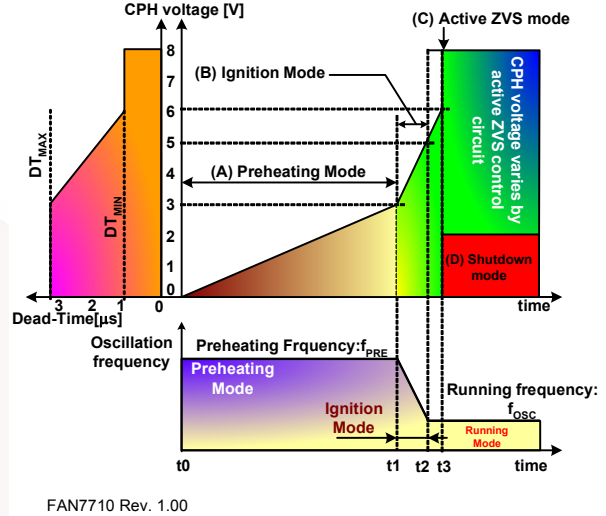
The oscillation frequency is not changed even in the active ZVS mode, shown as (D) in Figure 21. The dead time is varied according to resonant tank characteristics.



**Figure 21. LCC Transfer Function in Terms of Lamp Impedance**

### 3. Operation Modes

FAN7710 has four operation modes: (A) preheating mode, (B) ignition mode, (C) active ZVS mode, and (D) shutdown mode, depicted in Figure 22. The modes are automatically selected by the voltage of CPH capacitor shown in Figure 20. In modes (A) and (B), the CPH acts as a timer to determine the preheating and ignition times. After preheating and ignition modes, the role of the CPH is changed to stabilize the active ZVS control circuit. In this mode, the dead time of the inverter is selected by the voltage of CPH. Only when FAN7710 is in active ZVS mode, is it possible to shut off the whole system using the CPH pin. Pulling the CPH pin below 2.6V in active ZVS mode causes the FAN7710 to enter shutdown mode. In shutdown mode, all active operation is stopped except UVLO and some bias circuitry. The shutdown mode is triggered by the external CPH control or the active ZVS circuit. The active ZVS circuit automatically detects lamp removal (open-lamp condition) and decreases CPH voltage below 2.6V to protect the inverter switches from damage.



**Figure 22. Operation Modes**

#### 3.1 Preheating Mode (t0~t1)

When  $V_{DD}$  exceeds  $V_{DDTH(ST+)}$ , the FAN7710 starts operation. At this time, an internal current source ( $I_{PH}$ ) charges CPH. CPH voltage increases from 0V to 3V in preheating mode. Accordingly, the oscillation frequency follows Equation 4. In this mode, the lamp is not ignited, but warmed up for easy ignition. The preheating time depends on the size of CPH:

$$f_{preheat} = \frac{3 \times CPH}{I_{PH}} \text{ [Sec.]} \quad \text{(EQ 4)}$$

According to the preheating process, the voltage across the lamp to ignite is reduced and the lifetime of the lamp is increased. In this mode, the dead time is fixed at its maximum value.

#### 3.2 Ignition Mode (t1~t2)

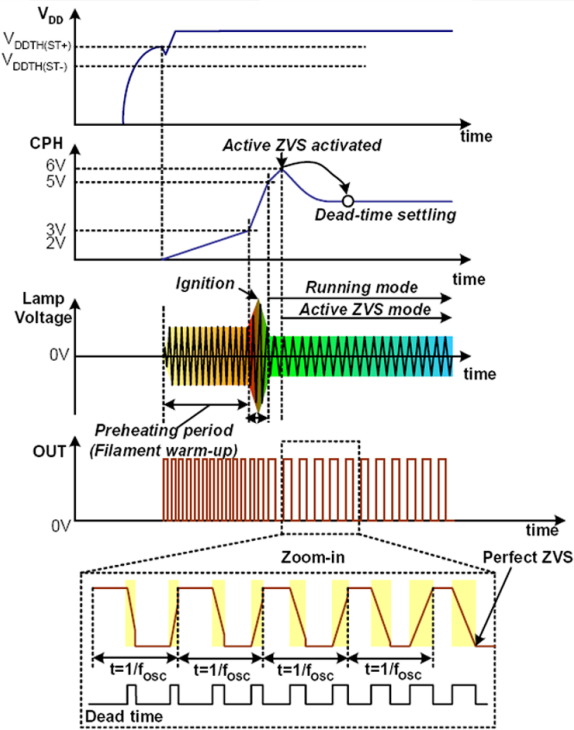
When the CPH voltage exceeds 3V, the internal current source to charge CPH is increased about six times larger than  $I_{PH}$ , noted as  $I_{IG}$ , causing rapid increase in CPH voltage. The internal oscillator decreases the oscillation frequency from  $f_{PRE}$  to  $f_{OSC}$  as CPH voltage increases. Lowering the frequency increases the voltage across the lamp, as depicted in Figure 22. Finally, the lamp ignites. Ignition mode is defined when CPH voltage lies between 3V and 5V. Once CPH voltage reaches 5V, the FAN7710 does not return to ignition mode, even if the CPH voltage is in that range, until the FAN7710 restarts from below  $V_{DDTH(ST-)}$ . Since the ignition mode continues when CPH is from 3V to 5V, the ignition time is given by:

$$t_{ignition} = \frac{2 \times CPH}{I_{IG}} \text{ [Sec.]} \quad \text{(EQ 5)}$$

In this mode, dead time varies according to the CPH voltage.

### 3.3 Running Mode and Active Zero-Voltage Switching (AZVS) Mode (t2~)

When CPH voltage exceeds 5V, the operating frequency is fixed to  $f_{OSC}$  by RT. However, active ZVS operation is not activated until CPH reaches ~6V. The FAN7710 prepares for active ZVS operation from the instant CPH exceeds 5V during t2 to t3. When CPH becomes higher than ~6V at t3, the active ZVS operation is activated. To determine the switching condition, FAN7710 detects the transition time of the output ( $V_{OUT}$  pin) of the inverter by using the VB pin. From the output-transition information, FAN7710 controls the dead time to meet the ZVS condition. If ZVS is satisfied, the FAN7710 slightly increases the CPH voltage to reduce the dead time and to find optimal dead time, which increases the efficiency and decreases the thermal dissipation and EMI of the inverter switches. If ZVS fails, the FAN7710 decreases CPH voltage to increase the dead time. CPH voltage is adjusted to meet optimal ZVS operation. During the active ZVS mode, the amount of the charging/discharging current is the same as  $I_{PH}$ . Figure 23 depicts normal operation waveforms.

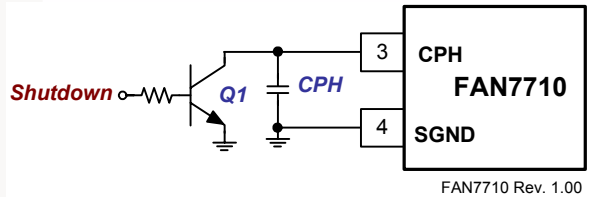


FAN7710 Rev. 1.0.1

**Figure 23. Typical Transient Waveform from Preheating to Active ZVS Mode**

### 3.4 Shutdown Mode

If the voltage of capacitor CPH is decreased below ~2.6V by an external application circuit or internal protection circuit, the IC enters shutdown mode. Once the IC enters shutdown mode, this status continues until an internal latch is reset by decreasing  $V_{DD}$  below  $V_{DDTH(ST-)}$ . Figure 24 shows an example of external shutdown control circuit.



**Figure 24. External Shutdown Circuit**

The amount of the CPH charging current is the same as  $I_{PH}$ , making it possible to shut off the IC using small signal transistor. FAN7710 provides active ZVS operation by controlling the dead time according to the voltage of CPH. If ZVS fails even at the maximum dead time, FAN7710 stops driving the inverter.

The FAN7710 thermal shutdown circuit senses the junction temperature of the IC. If the temperature exceeds ~160°C, the thermal shutdown circuit stops operation of the FAN7710.

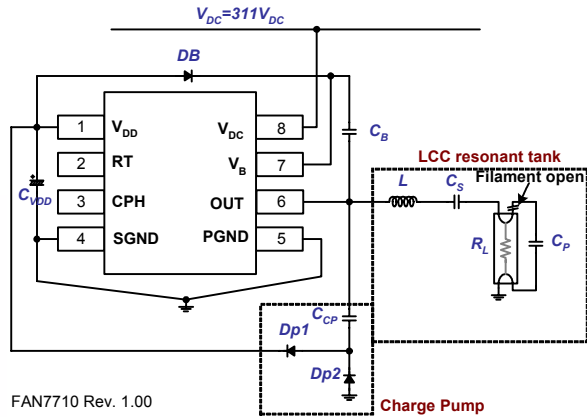
The current usages of shutdown mode and under-voltage lockout status are different. In shutdown mode, some circuit blocks, such as bias circuits, are kept alive. Therefore, the current consumption is slightly higher than during under-voltage lockout.

### 4. Automatic Open-Lamp Detection

The FAN7710 can automatically detect an open-lamp condition. When the lamp is opened, the resonant tank fails to make a closed-loop to the ground, as shown in Figure 25. The supplied current from the OUT pin is used to charge and discharge the charge pump capacitor,  $C_P$ . Since the open-lamp condition means resonant tank absence, it is impossible to meet ZVS condition. In this condition, the power dissipation of the FAN7710, due to capacitive load drive, is estimated as:

$$P_{dissipation} = \frac{1}{2} \times C_P \times V_{DC}^2 \times f \quad [W] \quad (EQ 6)$$

where  $f$  is driving frequency and  $V_{DC}$  is DC-link voltage.

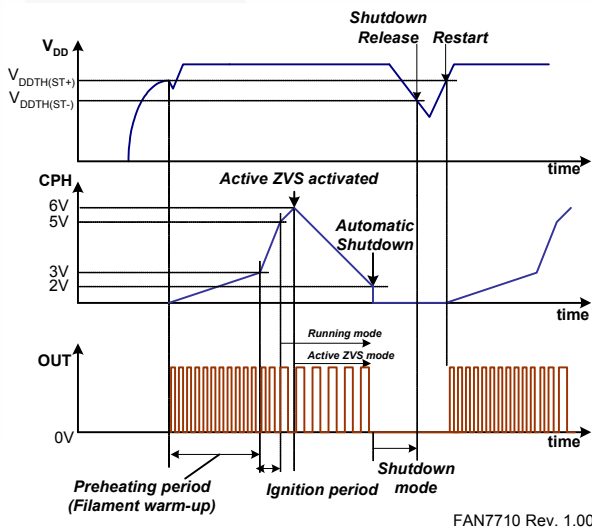


FAN7710 Rev. 1.00

**Figure 25. Current Flow When the Lamp is Open**

Assuming that  $C_P$ ,  $V_{DC}$ , and  $f$  are 1nF, 311V, and 50kHz, respectively; the power dissipation reaches about 2.4W and the temperature of FAN7710 is increased rapidly. If no protection is provided, the IC can be damaged by the thermal attack. Note that the hard switching condition during the capacitive-load drive causes EMI.

Figure 26 illustrates the waveforms during the open-lamp condition. In this condition, the charging and discharging current of  $C_P$  is directly determined by FAN7710 and considered hard switching condition. The FAN7710 tries to meet ZVS condition by decreasing CPH voltage to increase dead time. If ZVS fails and CPH goes below 2.6V, even though the dead time reaches its maximum value, FAN7710 shuts off the IC to protect against damage. To restart FAN7710,  $V_{DD}$  must be below  $V_{DDTH(ST-)}$  to reset an internal latch circuit, which remembers the status of the IC.

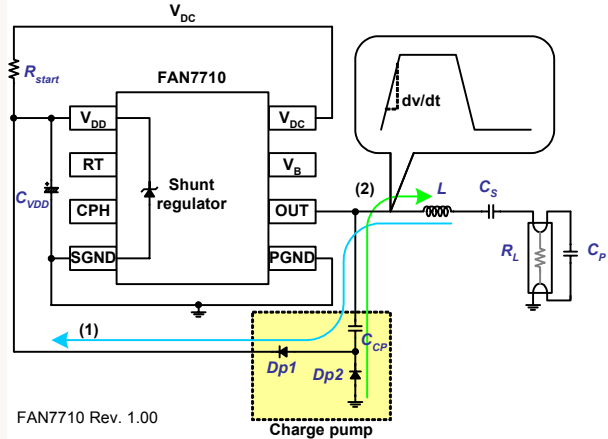


FAN7710 Rev. 1.00

**Figure 26. CPH Voltage Variation in Open-Lamp Condition**

### 5. Power Supply

When  $V_{DD}$  is lower than  $V_{DDTH(ST+)}$ , it consumes very little current,  $I_{ST}$ , making it possible to supply current to the  $V_{DD}$  pin using a resistor with high resistance ( $R_{start}$  in Figure 27). Once UVLO is released, the current consumption is increased and the whole circuit is operated, which requires additional power supply for stable operation. The supply must deliver at least several mA. A charge pump circuit is a cost-effective method to create an additional power supply and allows  $C_P$  to be used to reduce the EMI.



FAN7710 Rev. 1.00

**Figure 27. A Local Power Supply for  $V_{DD}$  Using a Charge Pump Circuit**

As presented in Figure 27; when OUT is high, the inductor current and  $C_{CP}$  create an output transition with the slope of  $dv/dt$ . The rising edge of OUT charges  $C_{CP}$ . At that time, the current that flows through  $C_{CP}$  is:

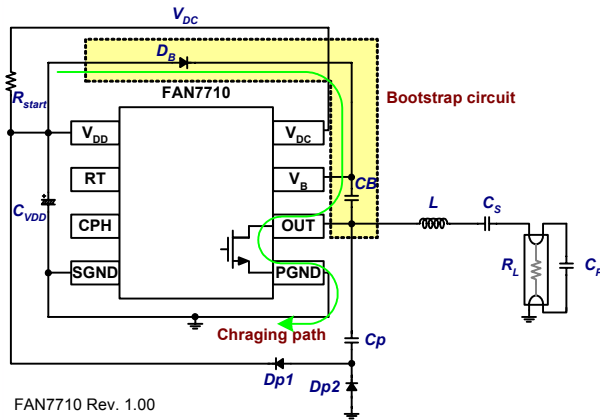
$$I \cong C_{CP} \times \frac{dv}{dt} \quad (\text{EQ 7})$$

This current flows along the path (1). It charges  $C_{VDD}$ , which is a bypass capacitor to reduce the noise on the supply rail. If  $C_{VDD}$  is charged over the threshold voltage of the internal shunt regulator, the shunt regulator is turned on and regulates  $V_{DD}$  with the trigger voltage.

When OUT is changing from HIGH to LOW state,  $C_{CP}$  is discharged through Dp2, shown as path (2) in Figure 27. These charging/discharging operations are continued until FAN7710 is halted by shutdown operation. The charging current,  $I$ , must be large enough to supply the operating current of FAN7710.

The supply for the high-side gate driver is provided by the boot-strap technique, as illustrated in Figure 28. When the low-side MOSFET connected between OUT and PGND pins is turned on, the charging current for  $V_B$  flows through  $D_B$ . Every low OUT gives the chance to charge the  $C_B$ . Therefore,  $C_B$  voltage builds up only when FAN7710 operates normally.

When OUT goes HIGH, the diode  $D_B$  is reverse-biased and  $C_B$  supplies the current to the high-side driver. At this time, since  $C_B$  discharges,  $V_B - V_{OUT}$  voltage decreases. If  $V_B - V_{OUT}$  goes below  $V_{HSTH(ST)}$ , the high-side driver cannot operate due to the high-side UVLO protection circuit.  $C_B$  must be chosen to be large enough not to fall into UVLO range, due to the discharge during a half of the oscillation period, especially when the high-side MOSFET is turned on.



**Figure 28. Implementation of Floating Power Supply Using the Bootstrap Method**

## Design Guide

### 1. Start-up Circuit

The start-up current ( $I_{ST}$ ) has to be supplied to the IC through the start-up resistor,  $R_{start}$ . Once operation starts, the power is supplied by the charge pump circuit. To reduce the power dissipation in  $R_{start}$ , select  $R_{start}$  as high as possible, considering the current requirements at start-up. For 220V<sub>AC</sub> power, the rectified voltage by the full-wave rectifier makes DC voltage, as shown in Equation 8. The voltage contains lots of AC component, due to poor regulation characteristic of the simple full-wave rectifier:

$$V_{DC} = \sqrt{2} \times 220[V] \cong 311[V] \quad (\text{EQ 8})$$

Considering the selected parameters,  $R_{start}$  must satisfy the following equation:

$$\frac{V_{DC} - V_{DDTH(ST+)}}{R_{start}} > I_{ST} \quad (\text{EQ 9})$$

From Equation 9,  $R_{start}$  is selected as:

$$\frac{V_{DC} - V_{DDTH(ST+)}}{I_{ST}} > R_{start} \quad (\text{EQ 10})$$

Note that if choosing the maximum  $R_{start}$ , it takes a long time for  $V_{DD}$  to reach  $V_{DDTH(ST+)}$ . Considering  $V_{DD}$  rising time,  $R_{start}$  must be selected as shown in Figure 29.

Another important concern for choosing  $R_{start}$  is the available power rating of  $R_{start}$ . To use a commercially available, low-cost 1/4Ω resistor,  $R_{start}$  must obey the following rule:

$$\frac{(V_{DC} - V_{CL})^2}{R_{start}} < \frac{1}{4} [W] \quad (\text{EQ 11})$$

Assuming  $V_{DC}=311V$  and  $V_{CL}=15V$ , the minimum resistance of  $R_{start}$  is about 350kΩ.

When the IC operates in shutdown mode due to thermal protection, open-lamp protection, or hard-switching protection; the IC consumes shutdown current,  $I_{SD}$ , which is larger than  $I_{ST}$ . To prevent restart during this mode,  $R_{start}$  must be selected to cover  $I_{SD}$  current consumption. The following equation must be satisfied:

$$\frac{V_{DC} - V_{DDTH(ST+)}}{I_{SD}} > R_{start} \quad (\text{EQ 12})$$

From Equations 10 - 12; it is possible to select  $R_{start}$ :

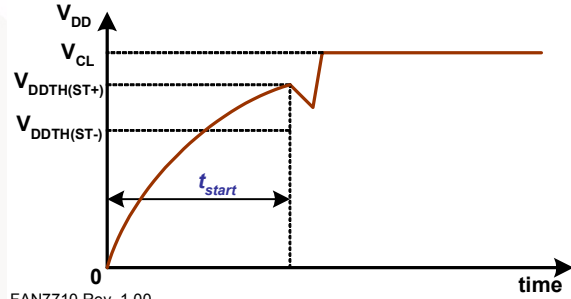
(1) For safe start-up without restart in shutdown mode:

$$4(V_{DC} - V_{CL})^2 < R_{start} < \frac{V_{DC} - V_{DDTH(ST+)}}{I_{SD}} \quad (\text{EQ 13})$$

(2) For safe start-up with restart from shutdown mode:

$$\frac{V_{DC} - V_{DDTH(ST+)}}{I_{SD}} < R_{start} < \frac{V_{DC} - V_{DDTH(ST+)}}{I_{ST}} \quad (\text{EQ 14})$$

As shown in Equation 14, if  $R_{start}$  meets Equation 14, restart operation is possible. However, it is not recommended to choose  $R_{start}$  at that range since  $V_{DD}$  rising time could be long and increase the lamp's turn-on delay time, as depicted in Figure 29.



FAN7710 Rev. 1.00

Figure 29.  $V_{DD}$  Build-up

Figure 30 shows the equivalent circuit for estimating  $t_{start}$ . From the circuit analysis,  $V_{DD}$  variation versus time is given by:

$$V_{DD}(t) = (V_{DC} - R_{start} \cdot I_{ST}) \left(1 - e^{-t/(R_{start} \cdot C_{VDD})}\right) \quad (\text{EQ 15})$$

where  $C_{VDD}$  is the total capacitance of the bypass capacitors connected between  $V_{DD}$  and GND.

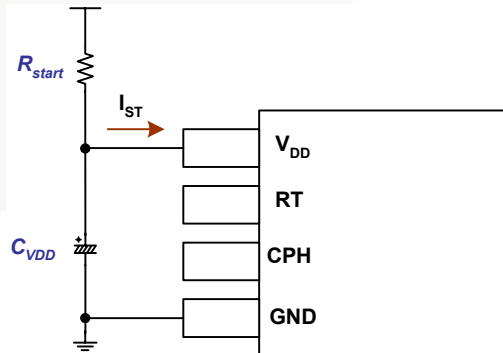
From Equation 15, it is possible to calculate  $t_{start}$  by substituting  $V_{DD}(t)$  with  $V_{DDTH(ST+)}$ :

$$t_{start} = -R_{start} \cdot C_{VDD} \cdot \ln \frac{V_{DC} - R_{start} \cdot I_{ST} - V_{DDTH(ST+)}}{V_{DC} - R_{start} \cdot I_{ST}} \quad (\text{EQ 16})$$

In general, Equation 16 can be simplified as:

$$t_{start} \approx \frac{R_{start} \cdot C_{VDD} \cdot V_{DDTH(ST+)}}{V_{DC} - R_{start} \cdot I_{ST} - V_{DDTH(ST+)}} \quad (\text{EQ 17})$$

Accordingly,  $t_{start}$  can be controlled by adjusting the value of  $R_{start}$  and  $C_{VDD}$ . For example, if  $V_{DC}=311V$ ,  $R_{start}=560k$ ,  $C_{VDD}=10\mu F$ ,  $I_{ST}=120\mu A$ , and  $V_{DDTH(ST+)}=13.5V$ ,  $t_{start}$  is about 0.33s.



FAN7710 Rev. 1.00

Figure 30. Equivalent Circuit During Start

### 2. Current Supplied by Charge Pump

For the IC supply, the charge pump method is used in Figure 31. Since  $C_{CP}$  is connected to the half-bridge output, the supplied current by  $C_{CP}$  to the IC is determined by the output voltage of the half-bridge.

When the half-bridge output shows rising slope,  $C_{CP}$  is charged and the charging current is supplied to the IC. The current can be estimated as:

$$I = C_{CP} \frac{dV}{dt} \approx C_{CP} \frac{V_{DC}}{DT} \quad (EQ 18)$$

where  $DT$  is the dead time and  $dV/dt$  is the voltage variation of the half-bridge output.

When the half-bridge shows falling slope,  $C_{CP}$  is discharged through  $Dp2$ . Total supplied current,  $I_{total}$ , to the IC during switching period,  $t$ , is:

$$I_{total} = I \cdot DT = C_{CP} \cdot V_{DC} \quad (EQ 19)$$

From Equation 19, the average current,  $I_{avg}$ , supplied to the IC is obtained by:

$$I_{avg} = \frac{I_{total}}{t} = \frac{C_{CP} \cdot V_{DC}}{t} = C_{CP} \cdot V_{DC} \cdot f \quad (EQ 20)$$

For the stable operation,  $I_{avg}$  must be higher than the required current. If  $I_{avg}$  exceeds the required current, the residual current flows through the shunt regulator implemented on the chip, which can cause unwanted heat generation. Therefore,  $C_{CP}$  must be selected considering stable operation and thermal generation.

For example, if  $C_{CP}=0.5nF$ ,  $V_{DC}=311V$ , and  $f=50kHz$ ,  $I_{avg}$  is  $\sim 7.8mA$ ; it is enough current for stable operation.

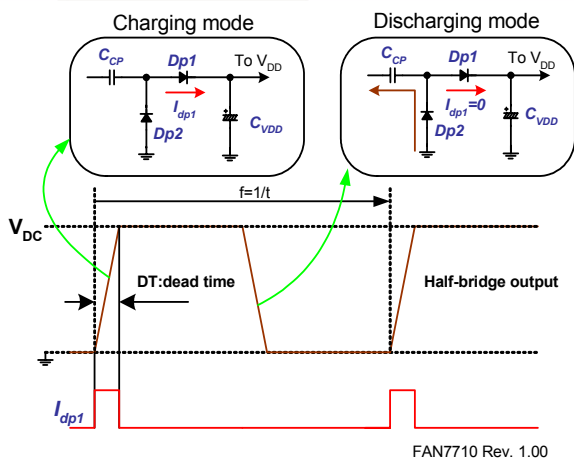


Figure 31. Charge Pump Operation

### 3. Lamp Turn-on Time

The turn-on time of the lamp is determined by supply build-up time  $t_{start}$ , preheating time, and ignition time; where  $t_{start}$  has been obtained by Equation 17. When the IC's supply voltage exceeds  $V_{DDTH(ST+)}$  after turn-on or restart, the IC operates in preheating mode. This operation continues until CPH pin's voltage reaches  $\sim 3V$ . In this mode, CPH capacitor is charged by  $I_{PH}$  current, as depicted in Figure 32. The preheating time is achieved by calculating:

$$t_{preheat} = 3 \frac{CPH}{I_{PH}} \quad (EQ 21)$$

The preheating time is related to lamp life (especially filament). Therefore, the characteristics of a given lamp should be considered when choosing the time.

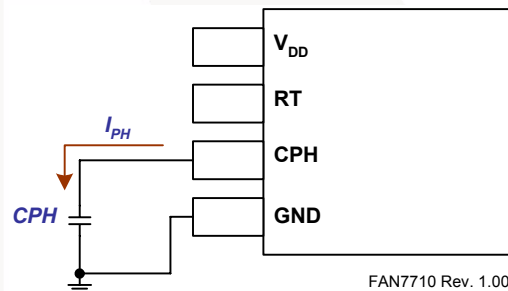


Figure 32. Preheating Timer

Compared to the preheating time, it is almost impossible to exactly predict the ignition time, whose definition is the time from the end of the preheating time to ignition. In general, the lamp ignites during the ignition mode. Therefore, assume that the maximum ignition time is the same as the duration of ignition mode, from 3V until CPH reaches 5V. Thus, ignition time can be defined as:

$$t_{ignition} = (5 - 3) \frac{CPH}{I_{IG}} = 2 \frac{CPH}{I_{IG}} \quad (EQ 22)$$

Note that at ignition mode CPH is charged by  $I_{IG}$  which is six times larger than  $I_{PH}$ . Consequently, total turn-on time is approximately:

**$V_{DD}$  Build-Time + Preheating Time + Ignition Time =**

$$t_{ignition} = (5 - 3) \frac{CPH}{I_{IG}} = 2 \frac{CPH}{I_{IG}} \text{ [Sec.]} \quad (EQ 23)$$

## Component List for 20W CFL Application

Part	Value	Note	Part	Value	Note
<b>Resistor</b>			<b>Diode</b>		
R1 <sup>(3)</sup>	470k $\Omega$	1/4W	D1	1N4007	1kV/1A
R2	82k $\Omega$	1/4W, 1%	D2	1N4007	1kV/1A
<b>Capacitor</b>			D3	1N4007	1kV/1A
C1	10 $\mu$ F/400V	Electrolytic Capacitor, 105°C	D4	1N4007	1kV/1A
C2	10 $\mu$ F/50V	Electrolytic Capacitor, 105°C	D6	UF4007	1kV/1A, Ultra Fast
C3 <sup>(5)</sup>	0.68 $\mu$ F/25V	Miller Capacitor, 5%	D7	UF4007	1kV/1A, Ultra Fast
C4	100nF/25V	Miller Capacitor	<b>IC</b>		
C5	470pF/1kV	Ceramic Capacitor	U1	FAN7710	Ballast IC
C6 <sup>(6)</sup>	33nF/630V	Miller Capacitor			
C7 <sup>(6)</sup>	2.7nF/1kV	Miller Capacitor, 5%			
<b>Inductor</b>					
L1 <sup>(6)</sup>	2.5mH (280T)	EE1916S			

### Note:

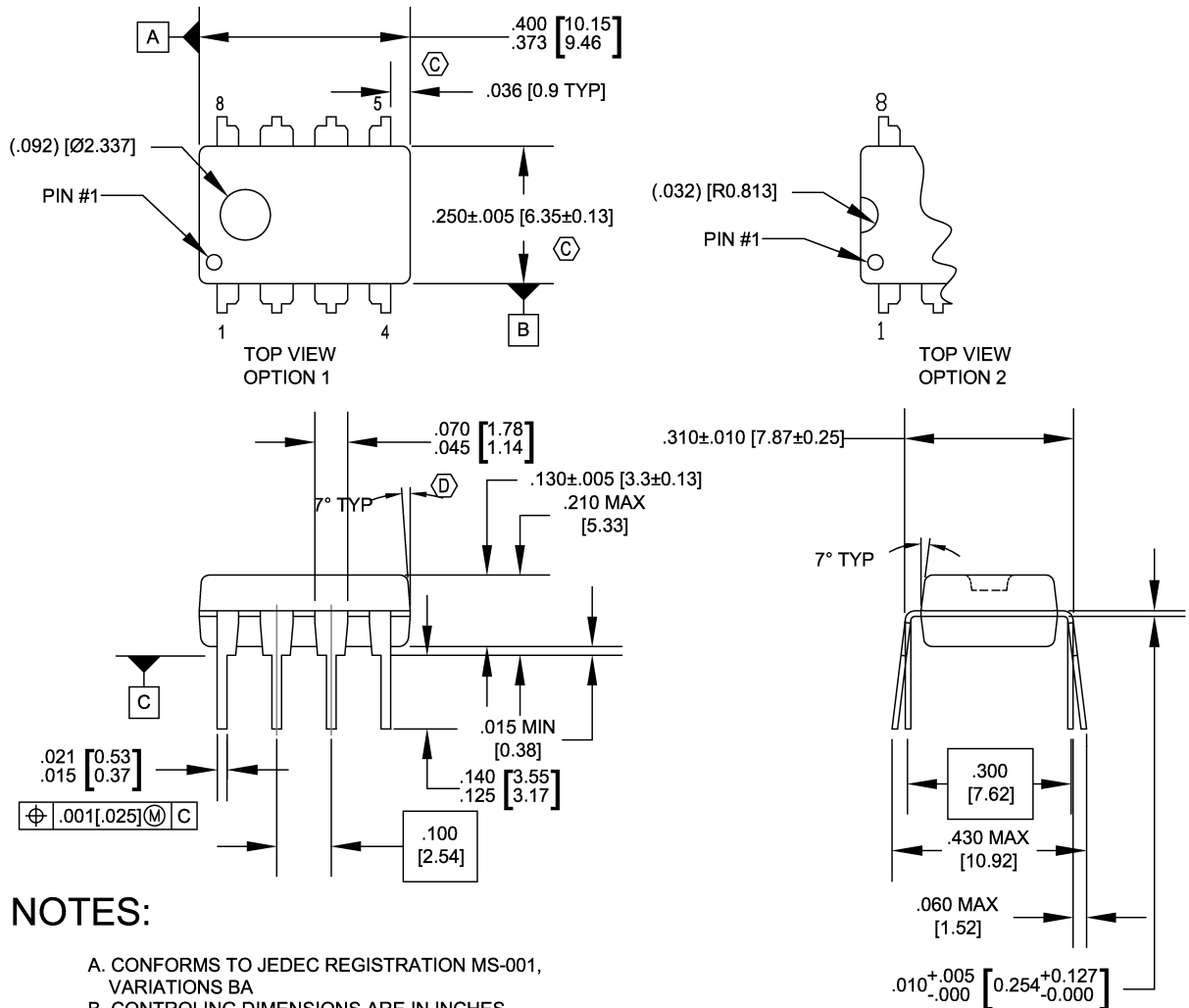
- Refer to the Typical Application circuit provided in Figure 1.
- Refer to the Design Guide start-up circuit, in Figure 30. Due to reducing power loss on the start-up resistor (R1) for high-efficiency systems, it is possible to use a higher resistor value than recommended. In this case, the IC doesn't reliably keep SD (shutdown) state for protection. Carefully select the start-up resistor (R1) or use the recommended value (470k) to sufficiently supply shutdown current ( $I_{SD}$ ) and start-up current ( $I_{ST}$ ).
- Temperature dependency of the capacitance is important to prevent destruction of IC. Some capacitors show capacitance degradation at high temperatures and can not guarantee enough preheating time to safely ignite the lamp during the ignition period at high temperatures. If the lamp does not ignite during the ignition period, the IC cannot guarantee ZVS operation. Thus, the peak current of the switching devices can be increased above allowable peak current level of the switching devices. Especially in the high temperate, the switching device can be easily destroyed. Consequently, CPH capacitor (C3) must be large enough to warm the filaments of the lamp up over the target temperature range.
- Consider the components (L1, C6, C7) of resonant tank variation over the target temperature range. Normally, these components would be changed toward increasing inductance and capacitance in high temperature. That means that the resonant frequency is decreased. In the lower resonant frequency condition, the preheating current is reduced, so the resonant tank cannot supply enough to preheat the filaments before lamps turn on. If the preheating current is insufficient, the ignition voltage/current is increased. With the ignition current at high temperature, the current capacity of internal MOSFETs on IC must be bigger than ignition current.



## Package Dimensions

### 8-DIP

Dimensions are in millimeters unless otherwise noted.



### NOTES:

- A. CONFORMS TO JEDEC REGISTRATION MS-001, VARIATIONS BA
- B. CONTROLLING DIMENSIONS ARE IN INCHES  
REFERENCE DIMENSIONS ARE IN MILLIMETERS
- C. DOES NOT INCLUDE MOLD FLASH OR PROTRUSIONS.  
MOLD FLASH OR PROTRUSIONS SHALL NOT EXCEED .010 INCHES OR 0.25MM.
- D. DOES NOT INCLUDE DAMBAR PROTRUSIONS.  
DAMBAR PROTRUSIONS SHALL NOT EXCEED .010 INCHES OR 0.25MM.
- E. DIMENSIONING AND TOLERANCING PER ASME Y14.5M-1994.


N08EREVG

Figure 33. 8-Lead Dual Inline Package (DIP)



## TRADEMARKS

The following are registered and unregistered trademarks and service marks Fairchild Semiconductor owns or is authorized to use and is not intended to be an exhaustive list of all such trademarks.

ACEx <sup>®</sup>	Green FPS <sup>™</sup> e-Series <sup>™</sup>	POWEREDGE <sup>®</sup>	SuperSOT <sup>™</sup> -8
Build it Now <sup>™</sup>	GTO <sup>™</sup>	Power-SPM <sup>™</sup>	SyncFET <sup>™</sup>
CorePLUS <sup>™</sup>	<i>i-Lo</i> <sup>™</sup>	PowerTrench <sup>®</sup>	The Power Franchise <sup>®</sup>
CROSSVOLT <sup>™</sup>	IntelliMAX <sup>™</sup>	Programmable Active Droop <sup>™</sup>	 ™
CTL <sup>™</sup>	ISOPLANAR <sup>™</sup>	QFET <sup>®</sup>	TinyBoost <sup>™</sup>
Current Transfer Logic <sup>™</sup>	MegaBuck <sup>™</sup>	QS <sup>™</sup>	TinyBuck <sup>™</sup>
EcoSPARK <sup>®</sup>	MICROCOUPLER <sup>™</sup>	QT Optoelectronics <sup>™</sup>	TinyLogic <sup>®</sup>
FACT Quiet Series <sup>™</sup>	MicroFET <sup>™</sup>	Quiet Series <sup>™</sup>	TINYOPTO <sup>™</sup>
FACT <sup>®</sup>	MicroPak <sup>™</sup>	RapidConfigure <sup>™</sup>	TinyPower <sup>™</sup>
FAST <sup>®</sup>	Motion-SPM <sup>™</sup>	SMART START <sup>™</sup>	TinyPWM <sup>™</sup>
FastvCore <sup>™</sup>	OPTOLOGIC <sup>®</sup>	SPM <sup>®</sup>	TinyWire <sup>™</sup>
FPS <sup>™</sup>	OPTOPLANAR <sup>®</sup>	STEALTH <sup>™</sup>	μSerDes <sup>™</sup>
FRFET <sup>®</sup>	PDP-SPM <sup>™</sup>	SuperFET <sup>™</sup>	UHC <sup>®</sup>
Global Power Resource <sup>SM</sup>	Power220 <sup>®</sup>	SuperSOT <sup>™</sup> -3	UniFET <sup>™</sup>
Green FPS <sup>™</sup>	Power247 <sup>®</sup>	SuperSOT <sup>™</sup> -6	VCX <sup>™</sup>

## DISCLAIMER

FAIRCHILD SEMICONDUCTOR RESERVES THE RIGHT TO MAKE CHANGES WITHOUT FURTHER NOTICE TO ANY PRODUCTS HEREIN TO IMPROVE RELIABILITY, FUNCTION, OR DESIGN. FAIRCHILD DOES NOT ASSUME ANY LIABILITY ARISING OUT OF THE APPLICATION OR USE OF ANY PRODUCT OR CIRCUIT DESCRIBED HEREIN; NEITHER DOES IT CONVEY ANY LICENSE UNDER ITS PATENT RIGHTS, NOR THE RIGHTS OF OTHERS. THESE SPECIFICATIONS DO NOT EXPAND THE TERMS OF FAIRCHILD'S WORLDWIDE TERMS AND CONDITIONS, SPECIFICALLY THE WARRANTY THEREIN, WHICH COVERS THESE PRODUCTS.

## LIFE SUPPORT POLICY

FAIRCHILD'S PRODUCTS ARE NOT AUTHORIZED FOR USE AS CRITICAL COMPONENTS IN LIFE SUPPORT DEVICES OR SYSTEMS WITHOUT THE EXPRESS WRITTEN APPROVAL OF FAIRCHILD SEMICONDUCTOR CORPORATION.

As used herein:

1. Life support devices or systems are devices or systems which, (a) are intended for surgical implant into the body or (b) support or sustain life, and (c) whose failure to perform when properly used in accordance with instructions for use provided in the labeling, can be reasonably expected to result in a significant injury of the user.
2. A critical component in any component of a life support device, or system whose failure to perform can be reasonably expected to cause the failure of the life support device or system, or to affect its safety or effectiveness.

## PRODUCT STATUS DEFINITIONS

### Definition of Terms

Datasheet Identification	Product Status	Definition
Advance Information	Formative or In Design	This datasheet contains the design specifications for product development. Specifications may change in any manner without notice.
Preliminary	First Production	This datasheet contains preliminary data; supplementary data will be published at a later date. Fairchild Semiconductor reserves the right to make changes at any time without notice to improve design.
No Identification Needed	Full Production	This datasheet contains final specifications. Fairchild Semiconductor reserves the right to make changes at any time without notice to improve design.
Obsolete	Not In Production	This datasheet contains specifications on a product that has been discontinued by Fairchild Semiconductor. The datasheet is printed for reference information only.

Rev. I29