

LEAD FREE RESONATORS

FAR Resonators (RESONATOR 6 MHz to 25 MHz)

C7 Series (Type F/G/H)

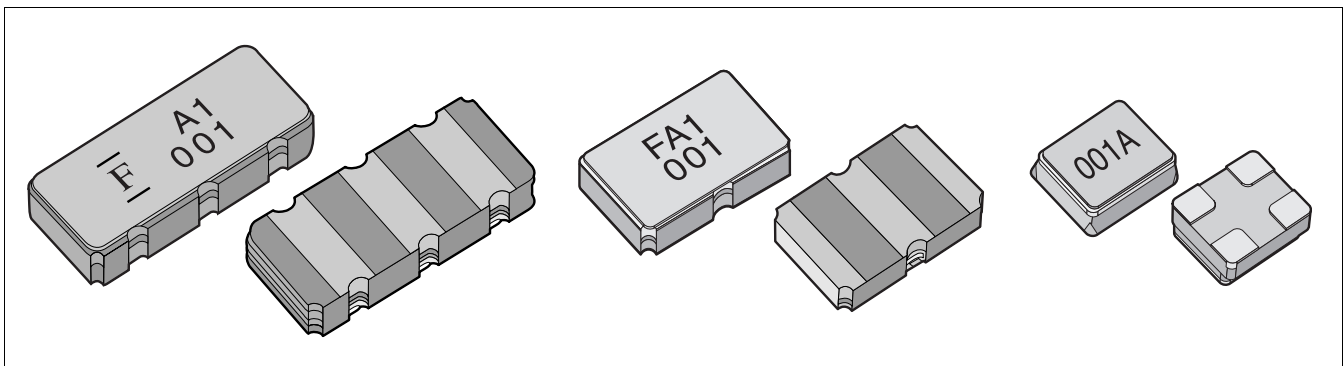
■ GENERAL DESCRIPTION

FAR C7 series is the small and highly precise resonator which is utilizing LT (LiTaO₃ : Lithium Tantalate) crystal with high electro-mechanical coupling coefficient and has built-in load capacitors for use in microprocessor clock in the small ceramic package of low profile. FAR C7 series is excellent in the mechanical property, and has realized high reliability.

■ FEATURES

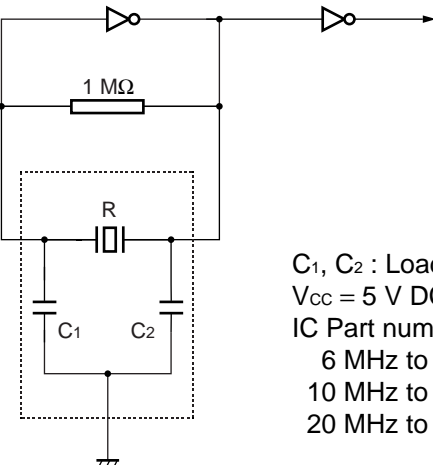
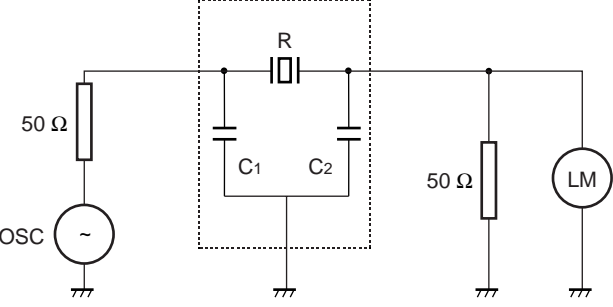
- Frequency Range : 6 MHz to 25 MHz
- Ultra-small package www.DataSheet4U.com
- Built-in load capacitors for use in microprocessor clock
- Completely lead-free device.
- Excellent in heat resistance to lead-free reflow soldering (Reflow temperature at +260 °C)
- High reliability, excellent in shock and vibration resistance

■ PACKAGES



C7 Series (Type F/G/H)

■ PRODUCT LINEUP

Items \ Name	F type	G type	H type
Package	F package	G package	H package
Material	LT (LiTaO ₃ : Lithium Tantalate) Crystal		
Frequency range	6 MHz to 11.9 MHz	12 MHz to 20 MHz	20.1 MHz to 25 MHz
Standard frequency	See "■ STANDARD FREQUENCIES"		
Frequency tolerance *	± 500 ppm (G) , ± 1,000 ppm (J)		
Frequency stability (Over temperature)	+ 400 ppm / - 200 ppm (- 10 °C to + 60 °C) + 700 ppm / - 200 ppm (- 30 °C to + 85 °C)		
Built-in capacitance	10 pF ± 4 pF	5 pF ± 2 pF	
Aging stability	± 500 ppm (+ 25 °C ± 2 °C for 10 years)		
Operating temperature	- 30 °C to + 85 °C		
Storage temperature (Device only)	- 40 °C to + 100 °C		
Measurement circuit for frequency (R : Resonator)	 <p> C₁, C₂ : Load capacitors (built-in) V_{CC} = 5 V DC IC Part number 6 MHz to 10 MHz : MB84069B × 2 10 MHz to 20 MHz : MC74HC04 × 2 20 MHz to 25 MHz : MC74HCU04 × 2 </p>		
Measurement circuit for resonant resistance (R : Resonator)	 <p>Measurement equipment : Network Analyzer</p>		

* : Other frequency tolerances available. Contact our sales representatives for specific requirements.

C7 Series (Type F/G/H)

■ STANDARD FREQUENCIES

Standard Frequency [kHz]	Package Size	Resonance Resistance
		C7 Series (type F/G/H)
6000	F	800 Ω Max (Symbol : 9)
8000	F	400 Ω Max (Symbol : 8)
12000	G	300 Ω Max (Symbol : 0)
16000	G	150 Ω Max (Symbol : 1)
24000	H	300 Ω Max (Symbol : 0)

Notes : • Other frequencies (within 6 MHz to 25 MHz) than standard are available.
• Standard resonant resistance is specified according to applied frequency.

■ NOTES FOR USE

- The C7 series is designed in due consideration of impact resistance. The product can however be damaged by excessive impact applied, for example, when the product is let fall. Be careful in handling it.
- Solder under the following conditions :
10 seconds Max at + 260 °C (temperature at surface of substrate)
Preheating is recommended to avoid extreme temperature change on device.
- Avoid rapid and drastic temperature change during operation.
- There is no specific direction in resonator mounting.
- Although the characteristics of the product are adjusted with the Fujitsu's standard circuit, some of them may change depending on the combination with the IC used actually and on the design conditions of the target board. It is strongly recommended to check oscillation characteristic data before using the product in a real circuit. Also, Fujitsu is ready to obtain oscillation data from the IC or board of interest supplied from the customer.
- This device is designed for reflow soldering and not fit for flow soldering.

C7 Series (Type F/G/H)

■ PART NUMBERING SYSTEM

FAR	-	C	7	C	□	-	□	□	□	□	□	-	□	□	□	□	□
		(1)	(2)	(3)			(4)						(5)	(6)	(7)	(8)	(9)

(1) Series

Series	Single Crystal	Load Capacitors
C7	LiTaO ₃	Built-in

(2) Package Type

Designator	Package Type
C	CHIP

(3) Package Size

Designators	Package Size
F	4.8 × 2.1 × 1.2 mm
G	3.2 × 2.1 × 0.9 mm
H	1.9 × 1.5 × 0.7 mm

(4) Frequency

See "■ STANDARD FREQUENCIES".

(Example) Unit : kHz (Expressed in five digits)

8.0 MHz → 08000

(5) Initial Frequency Tolerance

Designators	Initial Frequency Tolerance
G	± 500 ppm
J	± 1,000 ppm
K	± 3,000 ppm
M	± 5,000 ppm

(6) Built-in Load Capacitors

Designators	Capacitance
1	10 pF ± 4 pF
3	5 pF ± 2 pF

C7 Series (Type F/G/H)

(7) Resonance Resistance

Designators	Resonance Resistance
0	300 Ω Max
1	150 Ω Max
8	400 Ω Max
9	800 Ω Max

(8) Customization

Designators	Descriptions
-	Not specified
A to Z	Serial number for custom design.

(9) Taping Specification

Designators	Descriptions
R	12 mm width career tape (F/G package)
	8 mm width career tape (H package)

C7 Series (Type F/G/H)

MARKING

F Package

G Package

H Package

A	Manufacturing code (EIAJ)
2	Manufacturing week
001	Reserved for factory control

Note : All marking is laser marking.

The manufacturing code (EIAJ) is expressed as in a cycle of 4 years according to the following table.

	Jan.	Feb.	Mar.	Apr.	May	Jun.	Jul.	Aug.	Sep.	Oct.	Nov.	Dec.
2001	A	B	C	D	E	F	G	H	J	K	L	M
2002	N	P	Q	R	S	T	U	V	W	X	Y	Z
2003	a	b	c	d	e	f	g	h	j	k	l	m
2004	n	p	q	r	s	t	u	v	w	x	y	z

PIN CONFIGURATIONS

F Package

G Package

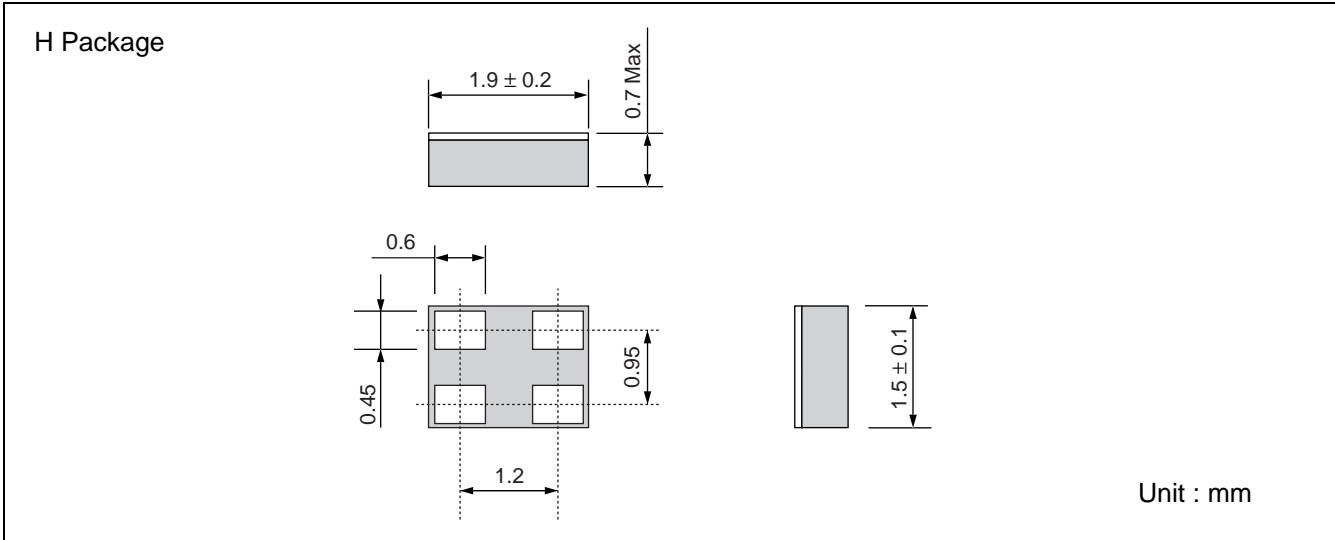
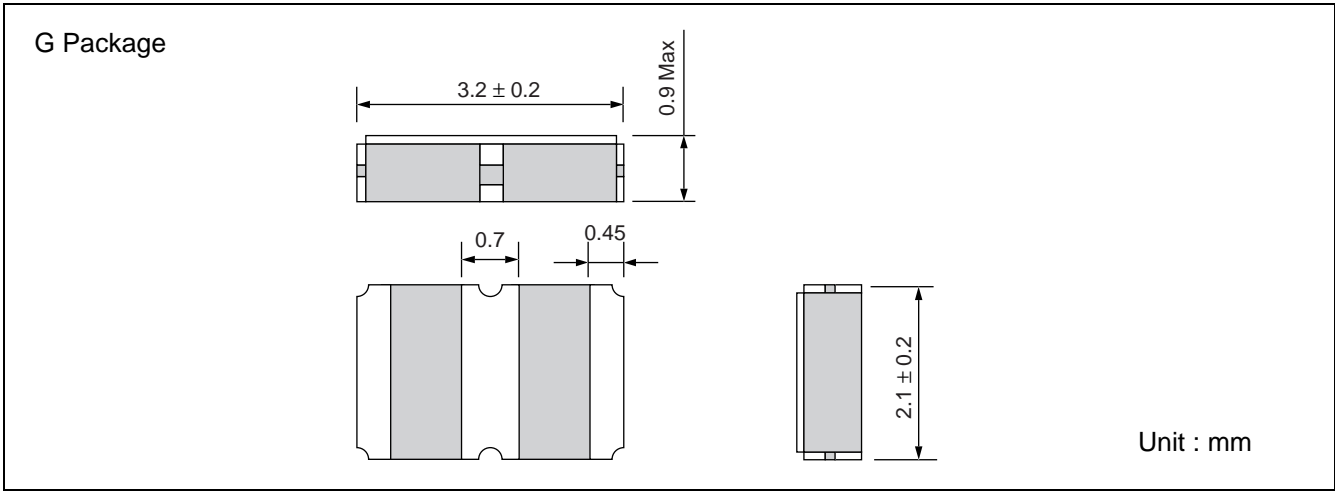
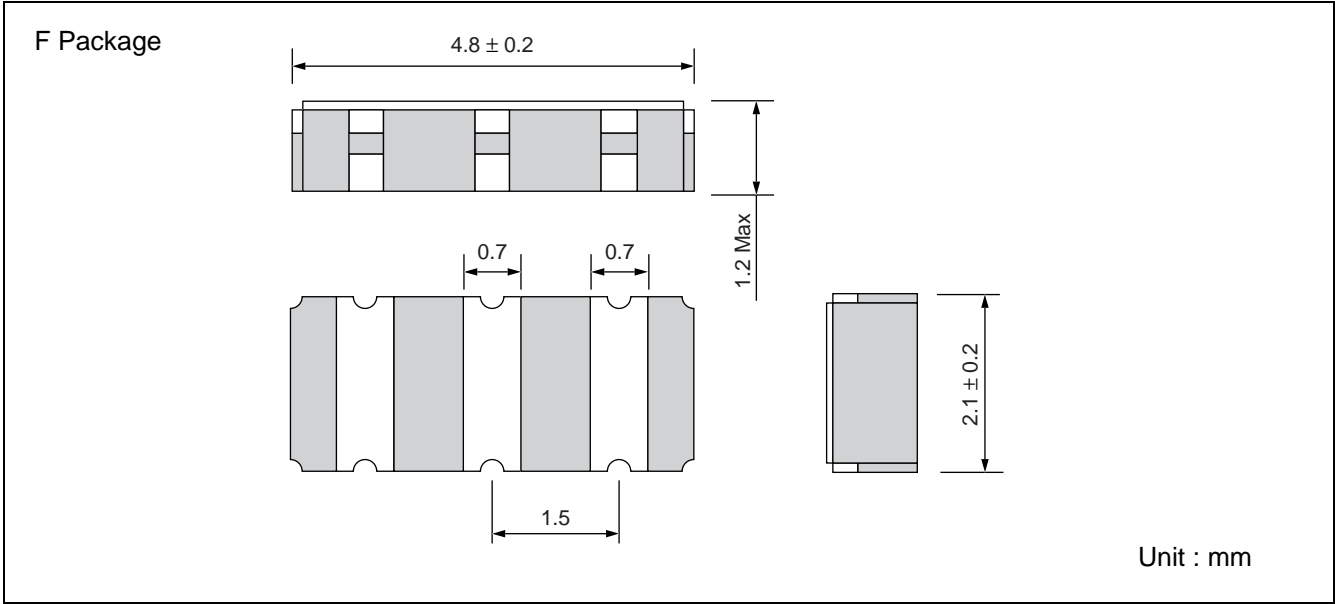
H Package

Notes :

- Bottom view.
- There is no specific direction for mounting.

C7 Series (Type F/G/H)

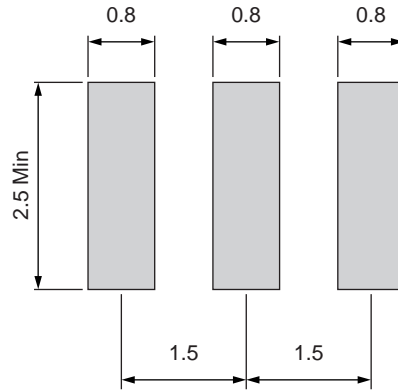
PACKAGE DIMENSIONS



C7 Series (Type F/G/H)

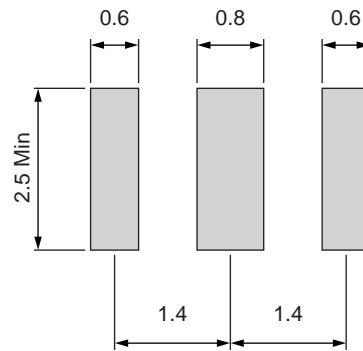
RECOMMENDED FOOTPRINT

F Package



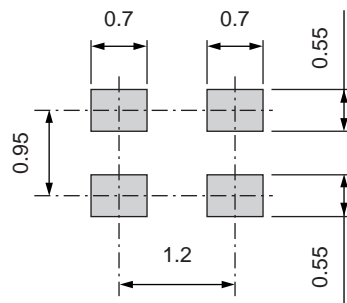
Unit : mm

G Package



Unit : mm

H Package

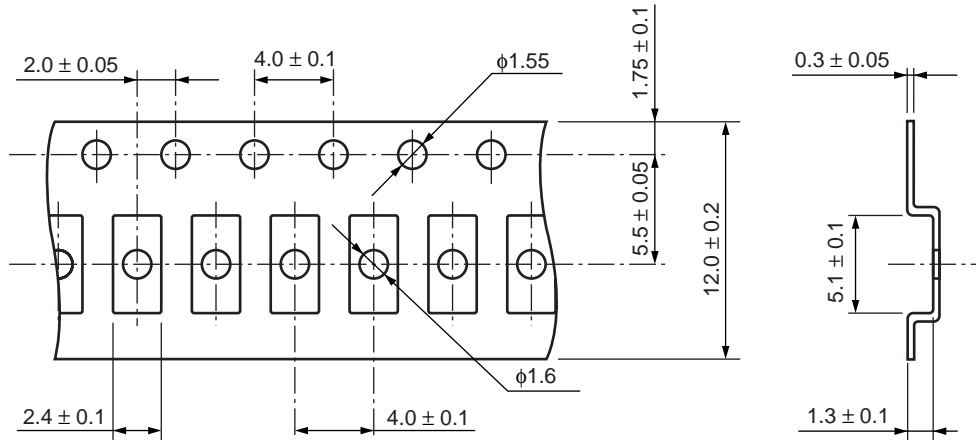


Unit : mm

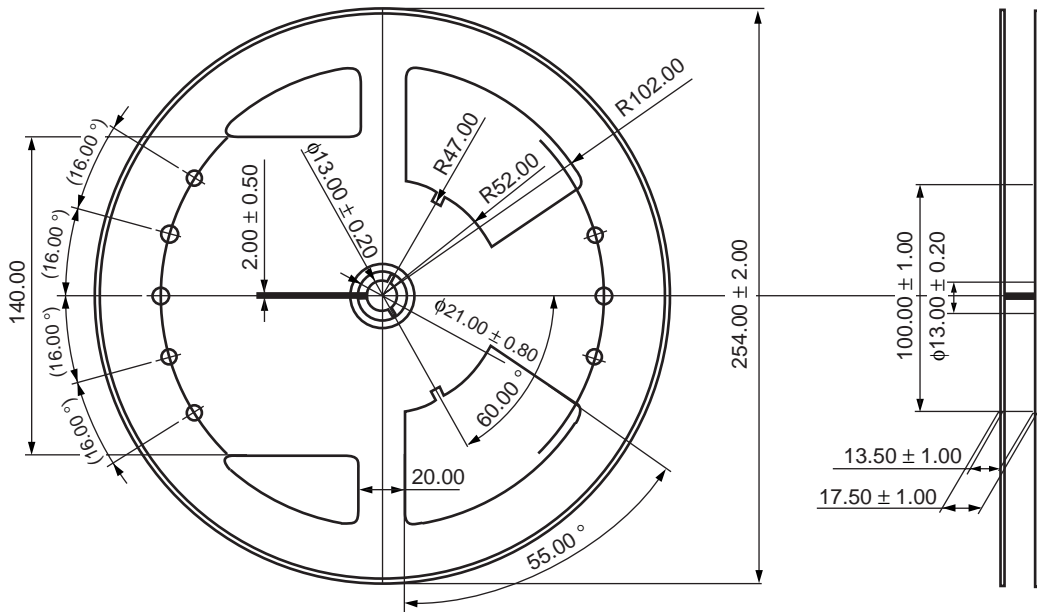
C7 Series (Type F/G/H)

TAPE AND REEL

• F Package



Material : Ps (Polystyrene)



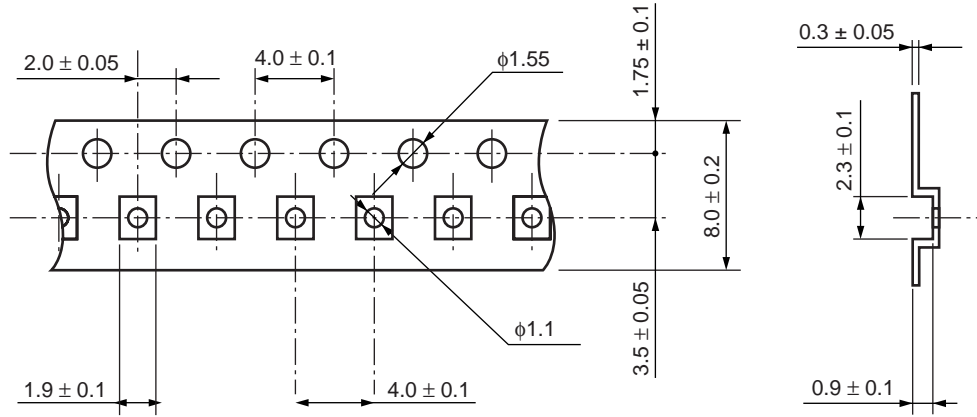
Material : Ps (Polystyrene) + Carbon

Unit : mm

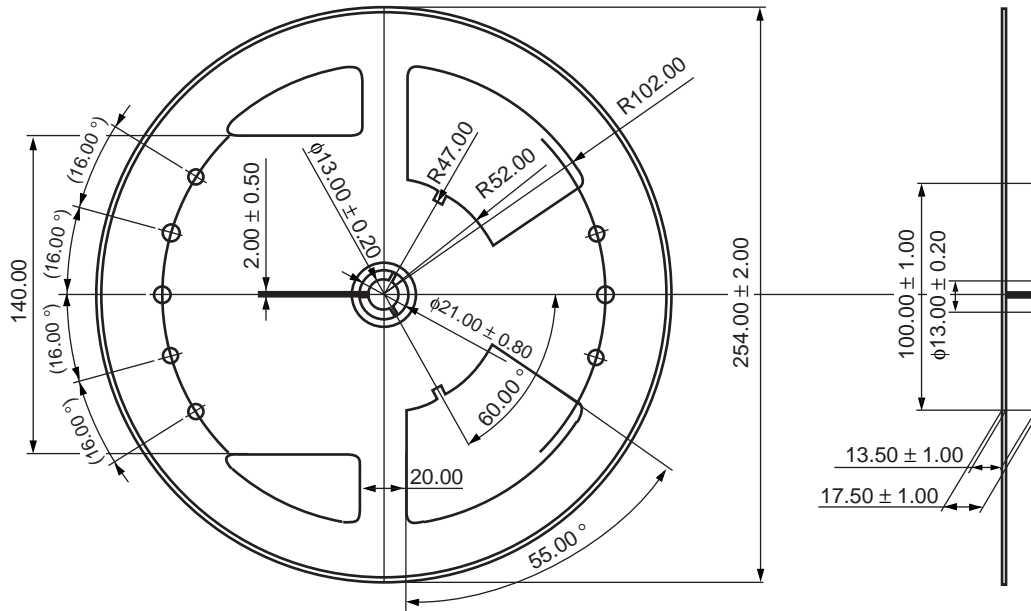
Note : Reel Quantity : 3,000 pcs/reel

C7 Series (Type F/G/H)

• G Package



Material : Ps (Polystyrene)



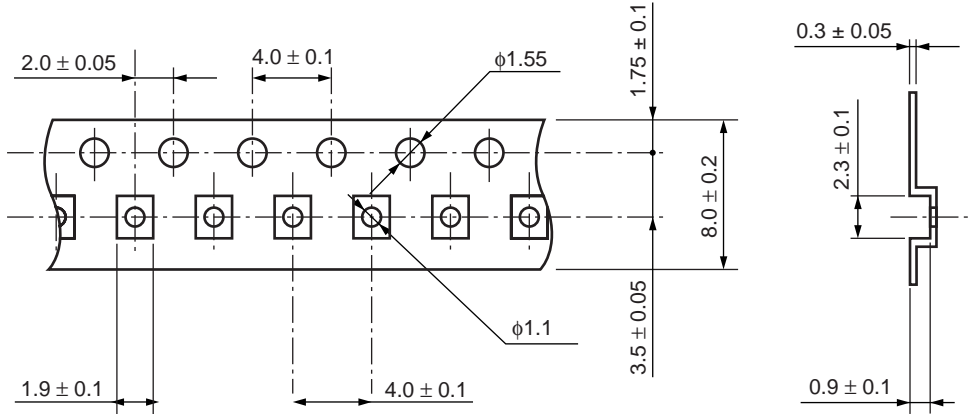
Material : Ps (Polystyrene) + Carbon

Unit : mm

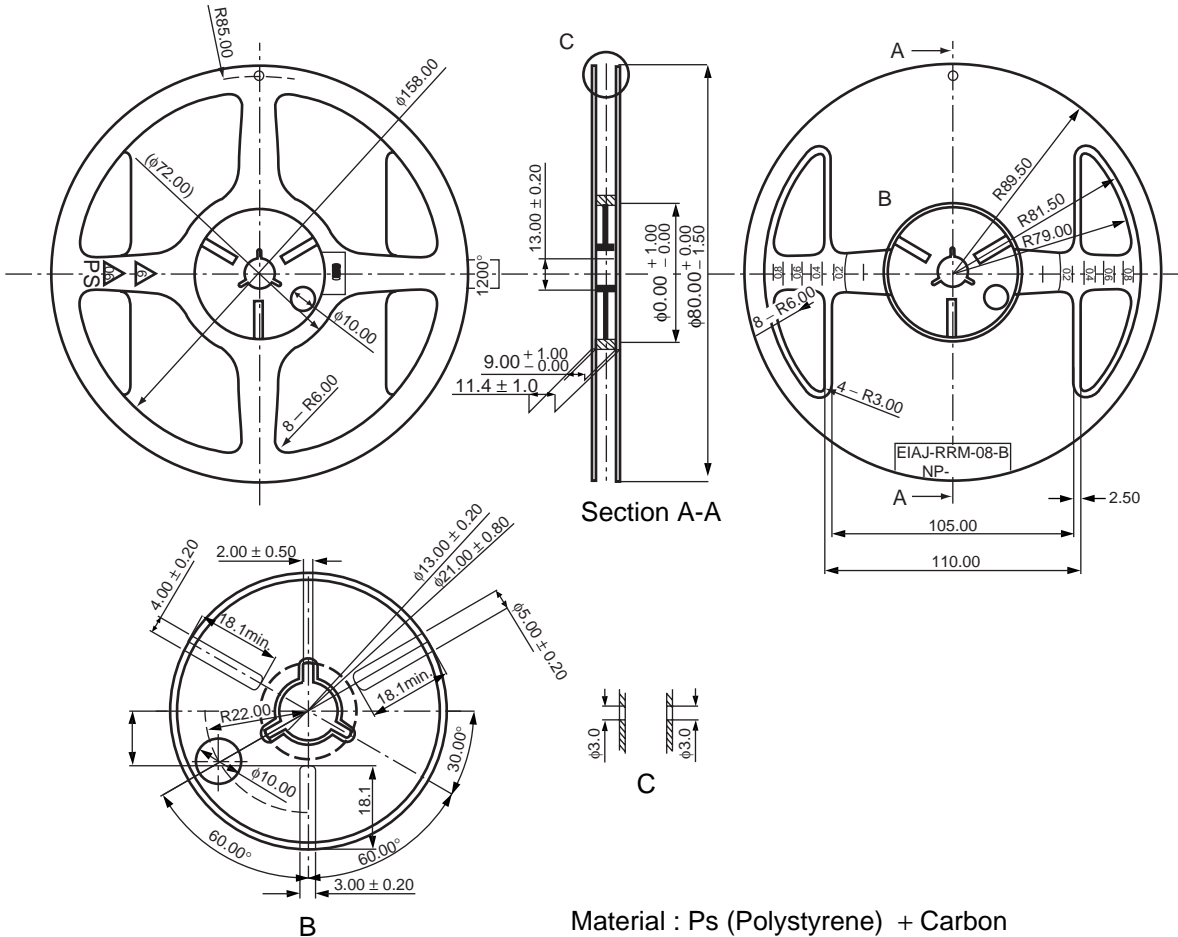
Note : Reel Quantity : 3,000 pcs/reel

C7 Series (Type F/G/H)

• H Package



Material : Pt (Polystyrene Terephthalate)



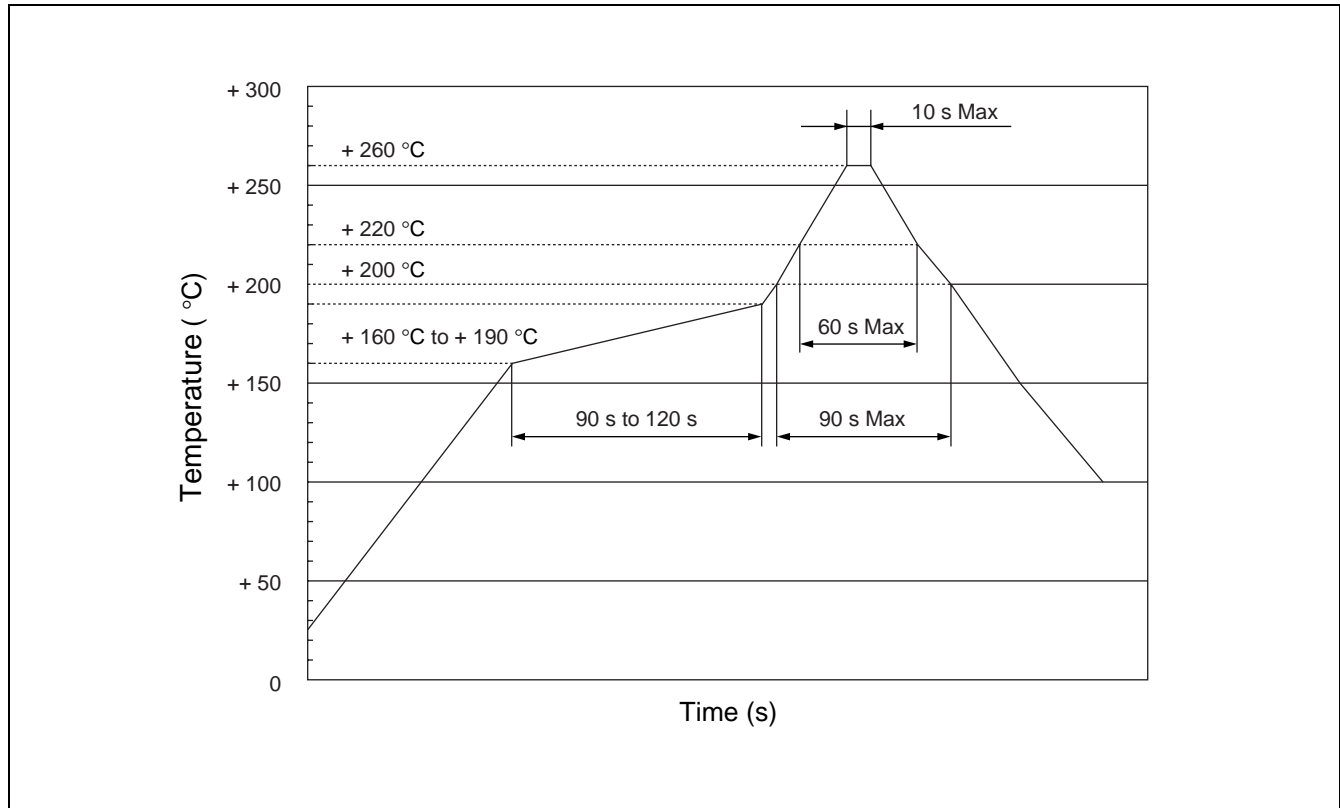
Material : Ps (Polystyrene) + Carbon

Unit : mm

Note : Reel Quantity : 3,000 pcs/reel

C7 Series (Type F/G/H)

RECOMMENDED REFLOW PROFILE



C7 Series (Type F/G/H)

FUJITSU MEDIA DEVICES LIMITED

All Rights Reserved.

The contents of this document are subject to change without notice. Customers are advised to consult with FUJITSU MEDIA DEVICES sales representatives before ordering.

The information, such as descriptions of function and application circuit examples, in this document are presented solely for the purpose of reference to show examples of operations and uses of FUJITSU MEDIA DEVICES electronic device; FUJITSU MEDIA DEVICES does not warrant proper operation of the device with respect to use based on such information. When you develop equipment incorporating the device based on such information, you must assume any responsibility arising out of such use of the information. FUJITSU MEDIA DEVICES assumes no liability for any damages whatsoever arising out of the use of the information. Any information in this document, including descriptions of function and schematic diagrams, shall not be construed as license of the use or exercise of any intellectual property right, such as patent right or copyright, or any other right of FUJITSU MEDIA DEVICES or any third party or does FUJITSU MEDIA DEVICES warrant non-infringement of any third-party's intellectual property right or other right by using such information. FUJITSU MEDIA DEVICES assumes no liability for any infringement of the intellectual property rights or other rights of third parties which would result from the use of information contained herein.

The products described in this document are designed, and manufactured as contemplated for general use, including without limitation, ordinary industrial use, general office use, personal use, and household use, but are not designed, developed and manufactured as contemplated (1) for use accompanying fatal risks or dangers that, unless extremely high safety is secured, could have a serious effect to the public, and could lead directly to death, personal injury, severe physical damage or other loss (i.e., nuclear reaction control in nuclear facility, aircraft flight control, air traffic control, mass transport control, medical life support system, missile launch control in weapon system), or (2) for use requiring extremely high reliability (i.e., submersible repeater and artificial satellite).

Please note that FUJITSU MEDIA DEVICES will not be liable against you and/or any third party for any claims or damages arising in connection with above-mentioned uses of the products.

Any electronic devices have inherently a certain rate of failure. You must protect against injury, damage or loss from such failures by incorporating safety design measures into your facility and equipment such as redundancy, fire protection, and prevention of over-current levels and other abnormal operating conditions.

If any products described in this document represent goods or technologies subject to certain restrictions on export under the Foreign Exchange and Foreign Trade Control Law of Japan, the prior authorization by Japanese government should be required for export of those products from Japan.

F0411

© 2004 FUJITSU LIMITED Printed in Japan