

# 10 BASE-T LOW PASS FILTERS

- IEEE 802.3 and IEEE 802.5 Compatible.
- Designed to meet IEEE AMD AM79C98, AT & T T7220 & NS DP83922 chip sets requirements.
- Low insertion loss characteristics.
- Operating temperature range: 0°C to +70°C.
- Storage temperature range: -25°C to +125°C.



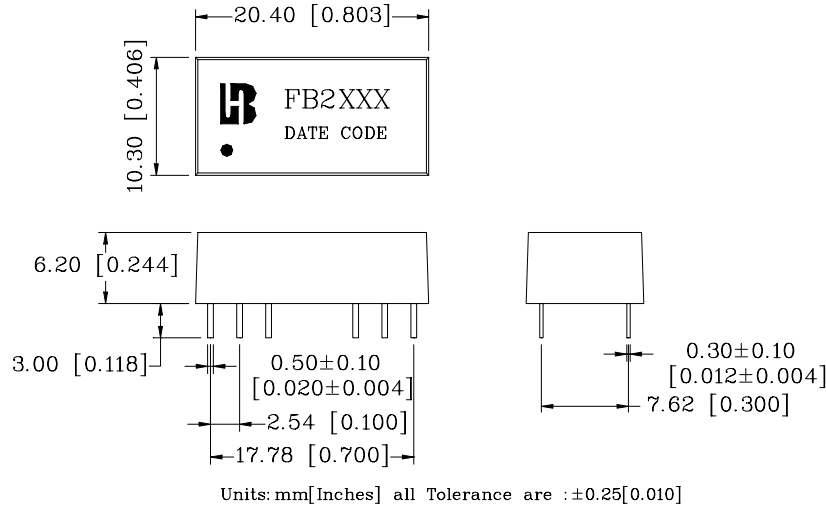
## Electrical Specifications @ 25°C

Part Number	Turns Ratio (±5%) TX/RX	CUT-OFF Frequency	Insertion Loss TX/RX (dB Max)	Return Loss TX/RX (dB Min)	Attenuation TX/RX (dB Min)			Cross talk (dB Min)	HI-PO T (Vrms)
			1-10MHz	1-12MHz	20MHz	30MHz	40MHz		
FB2022	1CT:1CT	17MHz±1.5MHz	-1.0	-15/-15	-6.8/-4.2	-27/-20	-32/-32	-30	1500
FB2022D	1CT:1CT	17 MHz±1.5MHz	-1.0	-13.5	-6.8/-4.2	-27/-20	-32/-32	-30	1500

For customized parts or more detailed information, please log on [www.bothhand.com.tw](http://www.bothhand.com.tw) or write to [sales@bothhand.com.tw](mailto:sales@bothhand.com.tw).

## Mechanicals

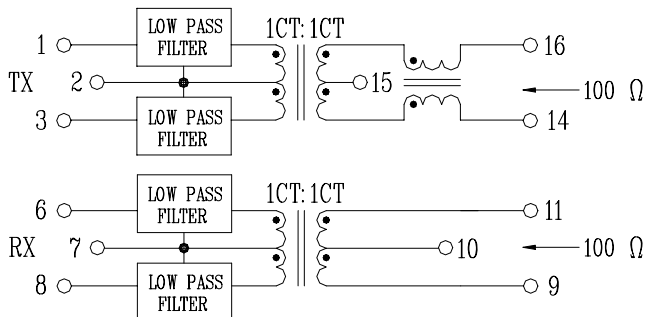
### FBXX



Specification	Packing Manner	Q'ty per Tube/Reel	Q'ty/ Inner box	Q'ty/ Carton
FBXX	TUBE	25	1250	5000

## Schematics

### FB2022



### FB2022D

